



US00D504545S

(12) **United States Design Patent**
Morosin et al.

(10) **Patent No.: US D504,545 S**

(45) **Date of Patent: ** Apr. 26, 2005**

(54) **PET FOOD DISPENSER**

(76) Inventors: **Michael Keith Morosin**, 630 Quintana Rd., PMB-321, Morro Bay, CA (US) 93442; **Rose Chan Morosin**, 630 Quintana Rd., PMB-321, Morro Bay, CA (US) 93442

(**) **Term: 14 Years**

(21) **Appl. No.: 29/205,452**

(22) **Filed: May 14, 2004**

(51) **LOC (7) Cl. 30-07**

(52) **U.S. Cl. D30/122; D30/129**

(58) **Field of Search D30/121, 122, D30/132, 129; 119/51.5, 21.11, 51.53, 53, 53.5, 54, 57.5, 61.5, 61.54, 75**

(56) **References Cited**

U.S. PATENT DOCUMENTS

3,638,618 A	2/1972	Strother	
3,643,632 A *	2/1972	Poirot	119/54
3,785,348 A	1/1974	Polidori, Sr. et al.	
D232,658 S *	9/1974	Fassauer	D30/121
3,942,478 A	3/1976	Lane	
4,069,793 A	1/1978	Gower	
D300,277 S	3/1989	Clark	
4,889,077 A	12/1989	Possis	
4,981,106 A	1/1991	Nagatomo	

D330,098 S *	10/1992	VanSkiver	D30/121
D351,261 S *	10/1994	Woo	D30/122
D351,689 S *	10/1994	VanSkiver	D30/121
5,363,805 A	11/1994	Wing	
D371,643 S *	7/1996	Lillelund et al.	D30/122
D374,516 S *	10/1996	Lillelund et al.	D30/132
D406,924 S *	3/1999	Kolozsvari	D30/121
6,062,166 A	5/2000	Macrina	
D457,692 S *	5/2002	Skurdalsvold et al.	D30/132
D497,041 S *	10/2004	Plante	D30/130

* cited by examiner

Primary Examiner—Alan P. Douglas

Assistant Examiner—Susan M Lee

(74) *Attorney, Agent, or Firm*—Knobbe, Martens, Olson, & Bear, LLP

(57) **CLAIM**

The ornamental design for a pet food dispenser, as shown and described.

DESCRIPTION

FIG. 1 is a perspective view of a pet food dispenser, showing our new design:

FIG. 2 is a right side elevational view thereof;

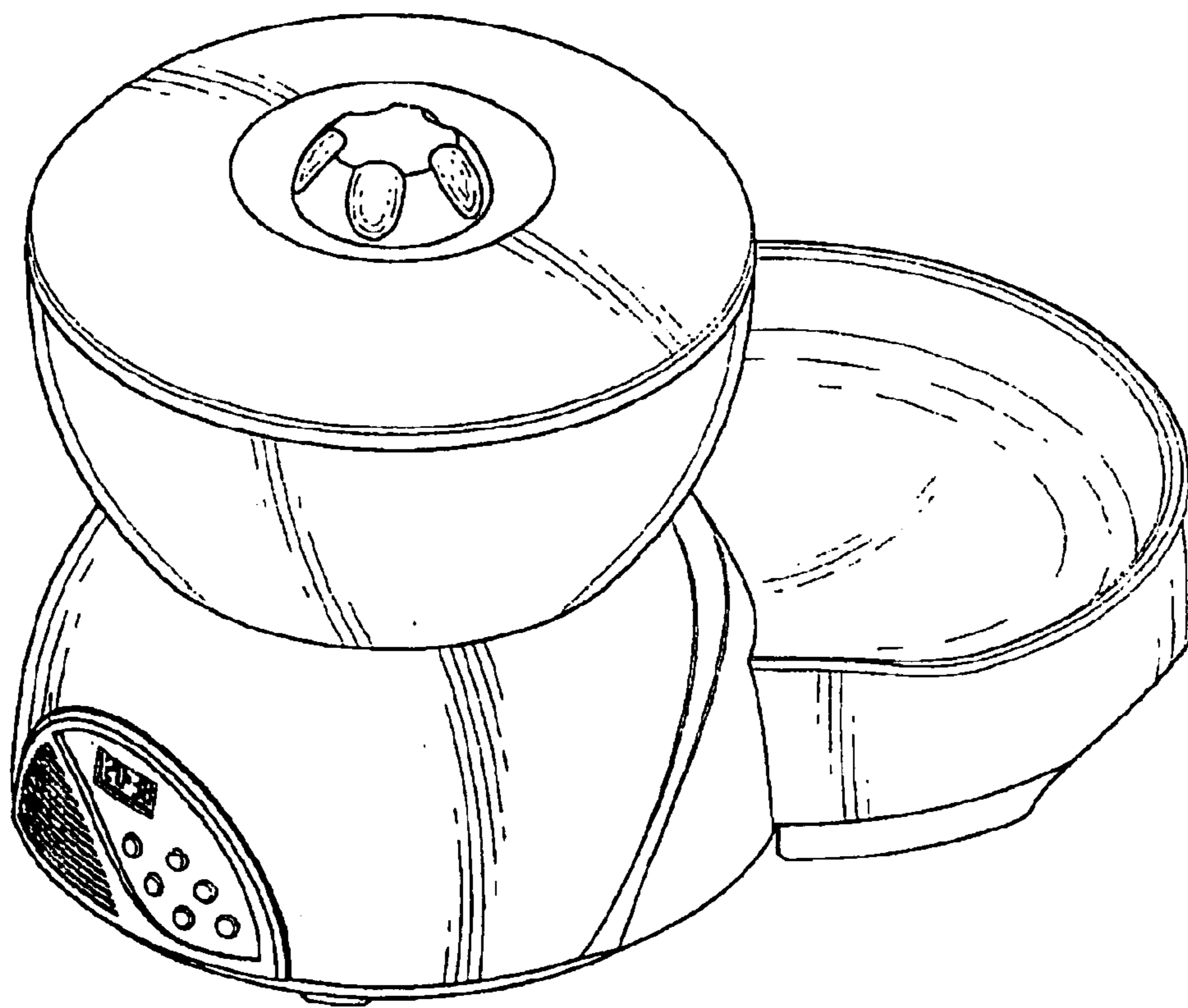
FIG. 3 is a left side elevational view thereof;

FIG. 4 is a rear elevational view thereof;

FIG. 5 is a front elevational view thereof; and,

FIG. 6 is a top plan view thereof.

1 Claim, 6 Drawing Sheets



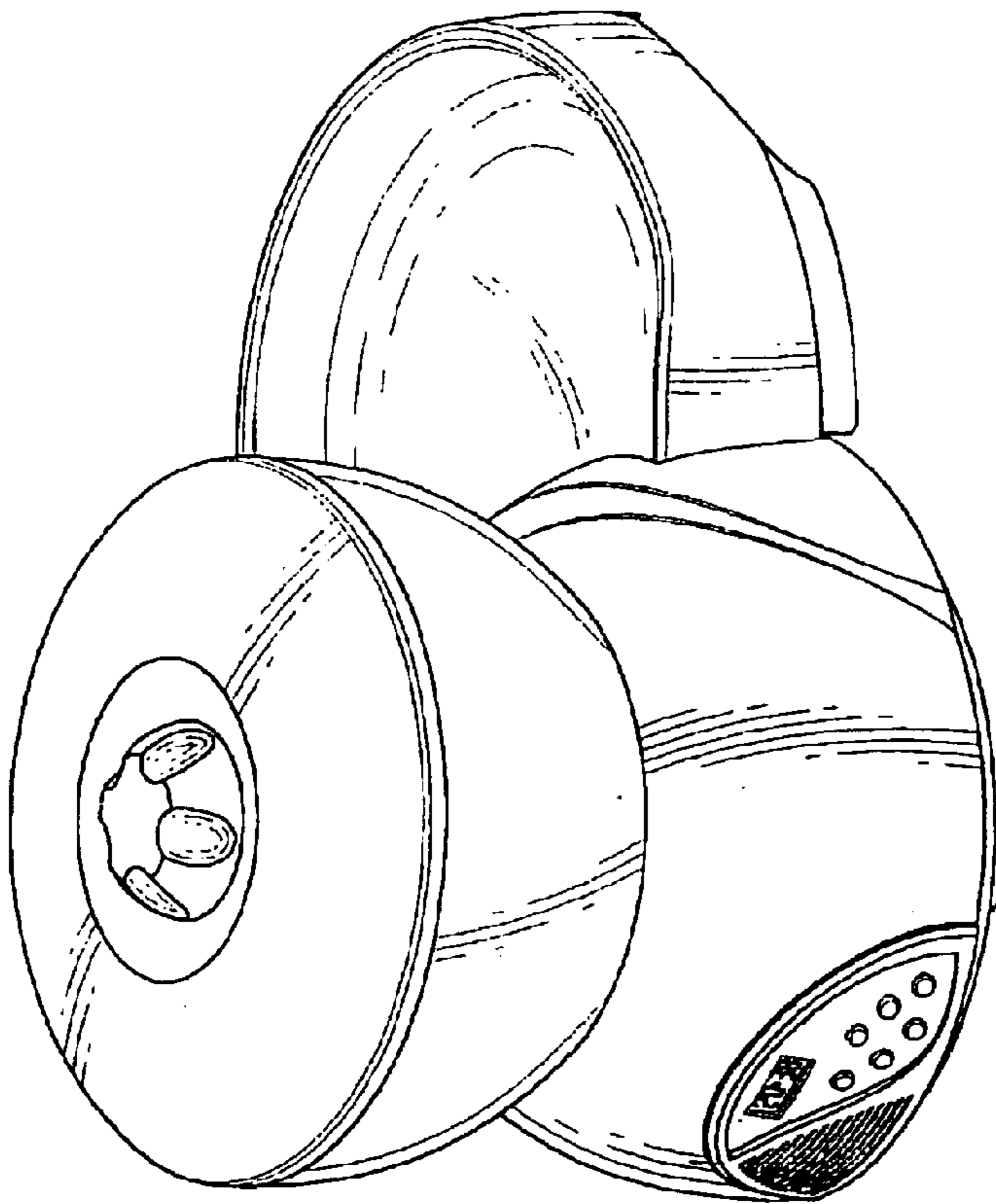


FIG. 1

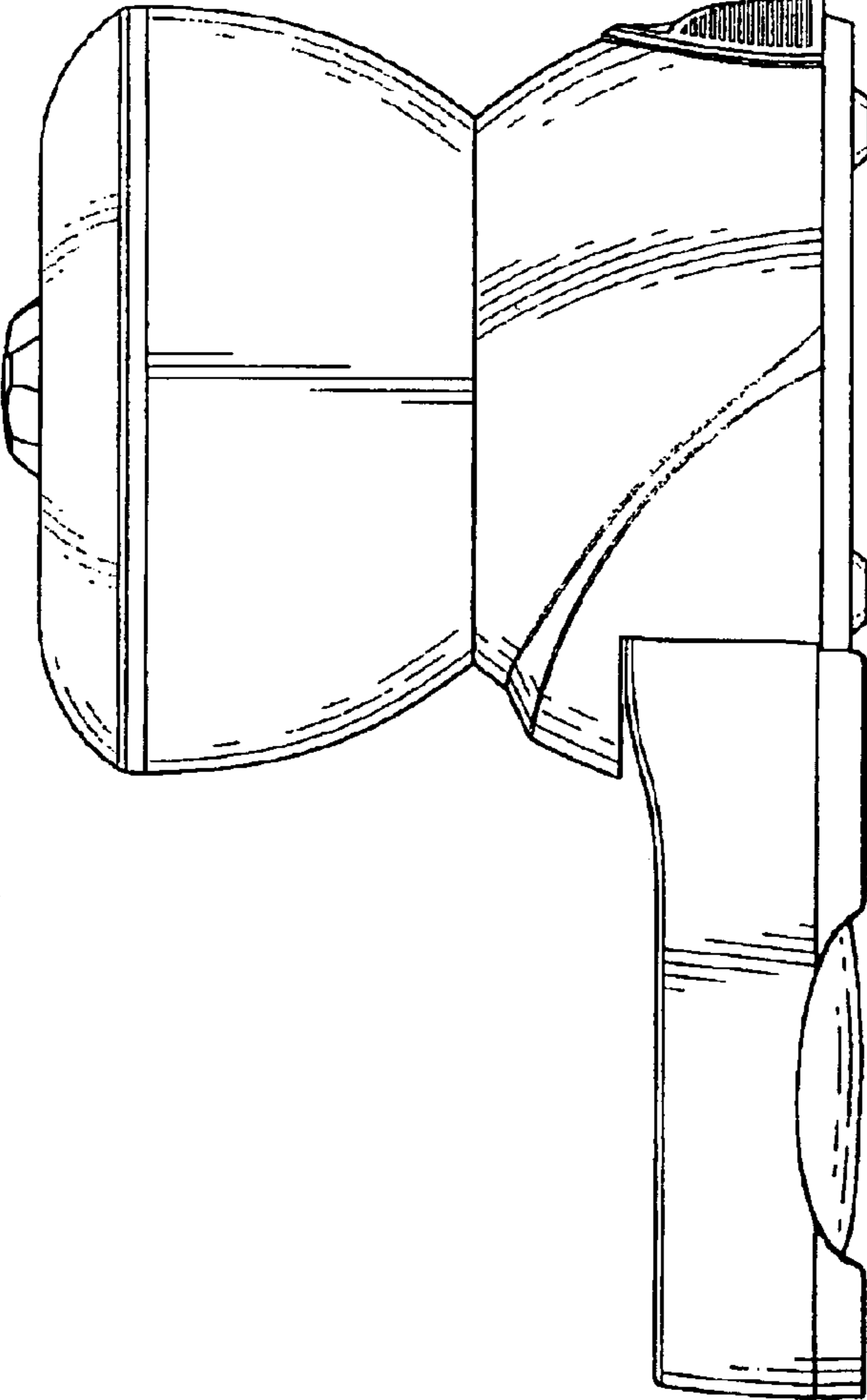


FIG. 2

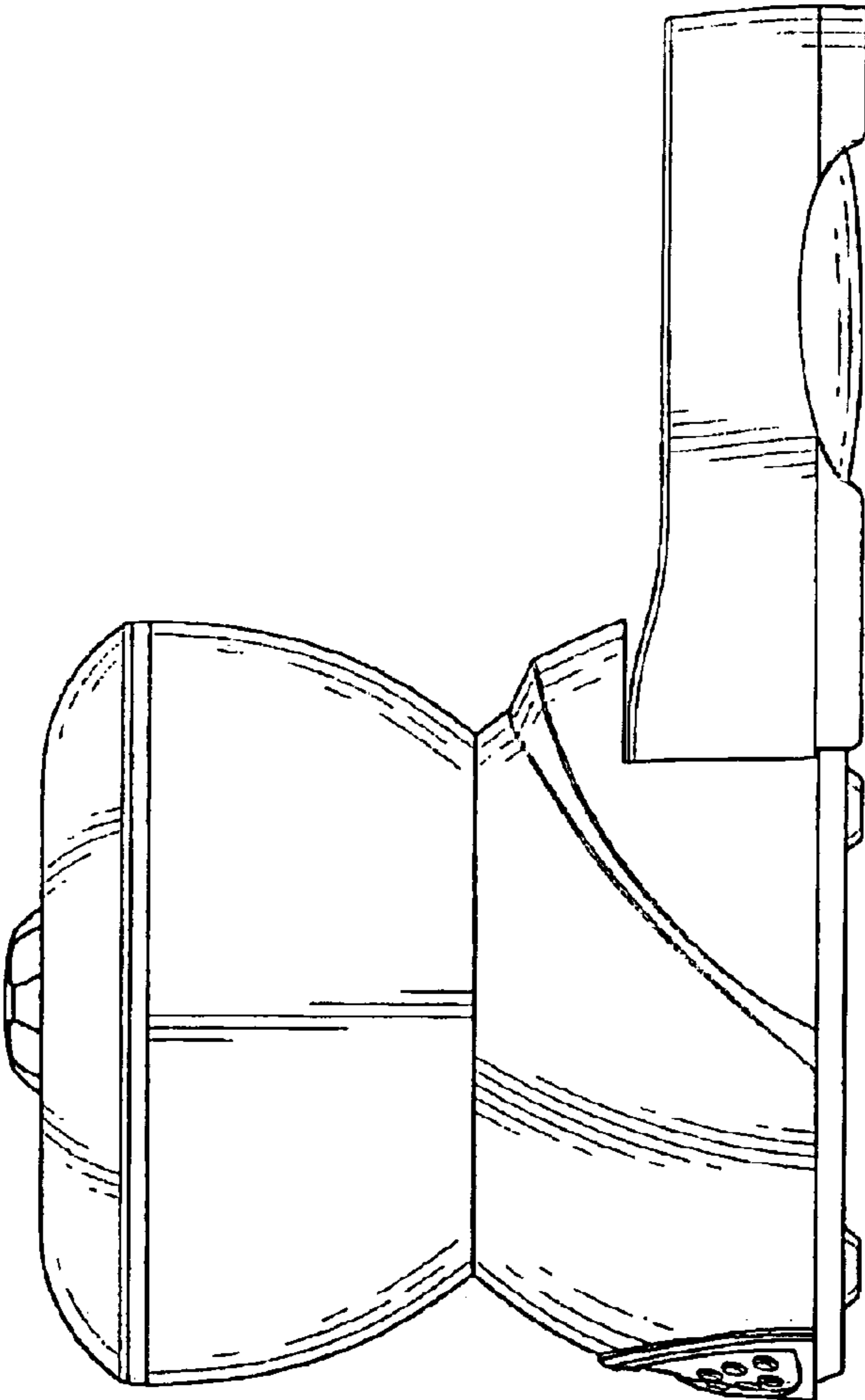


FIG. 3

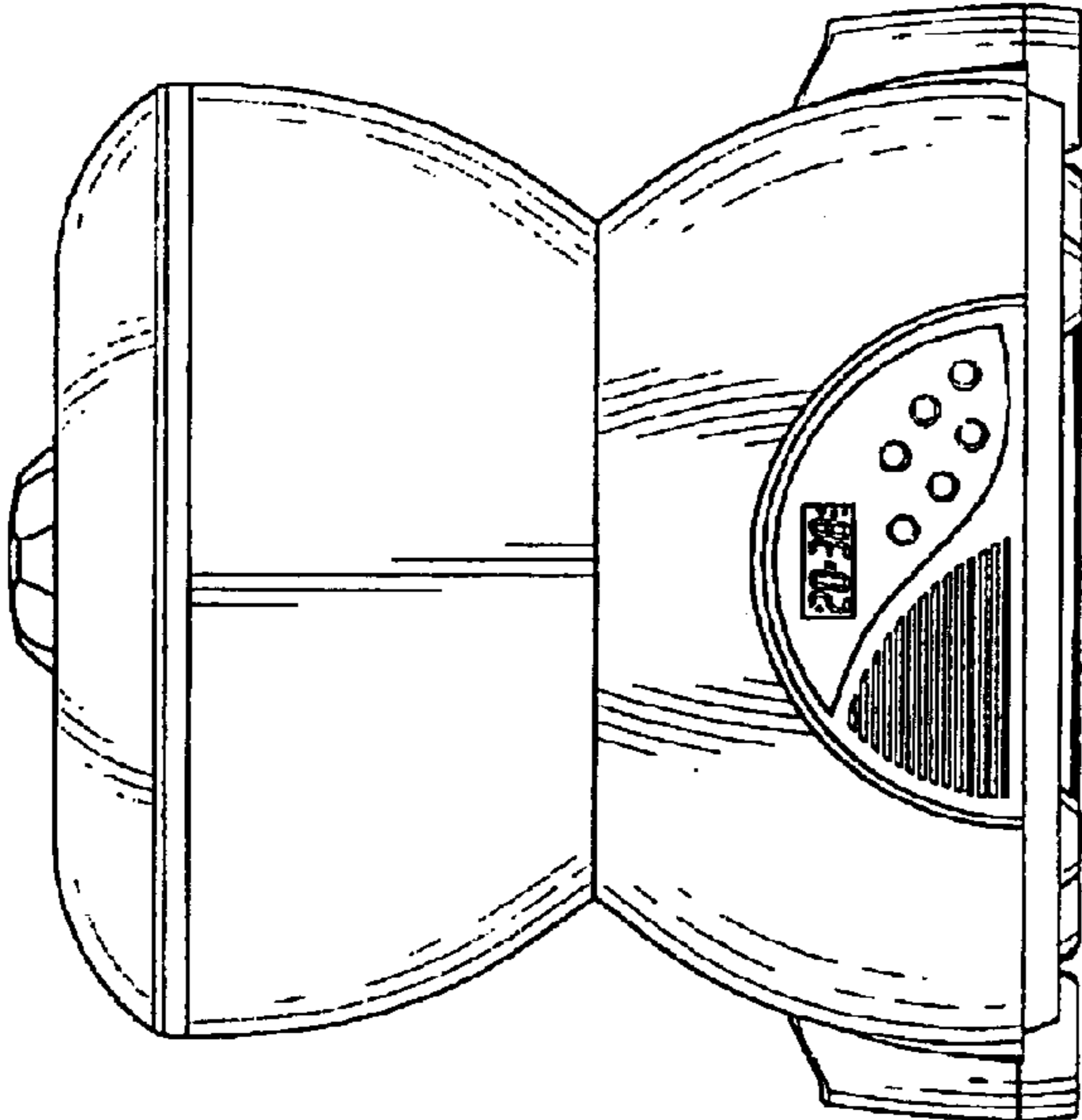


FIG. 4

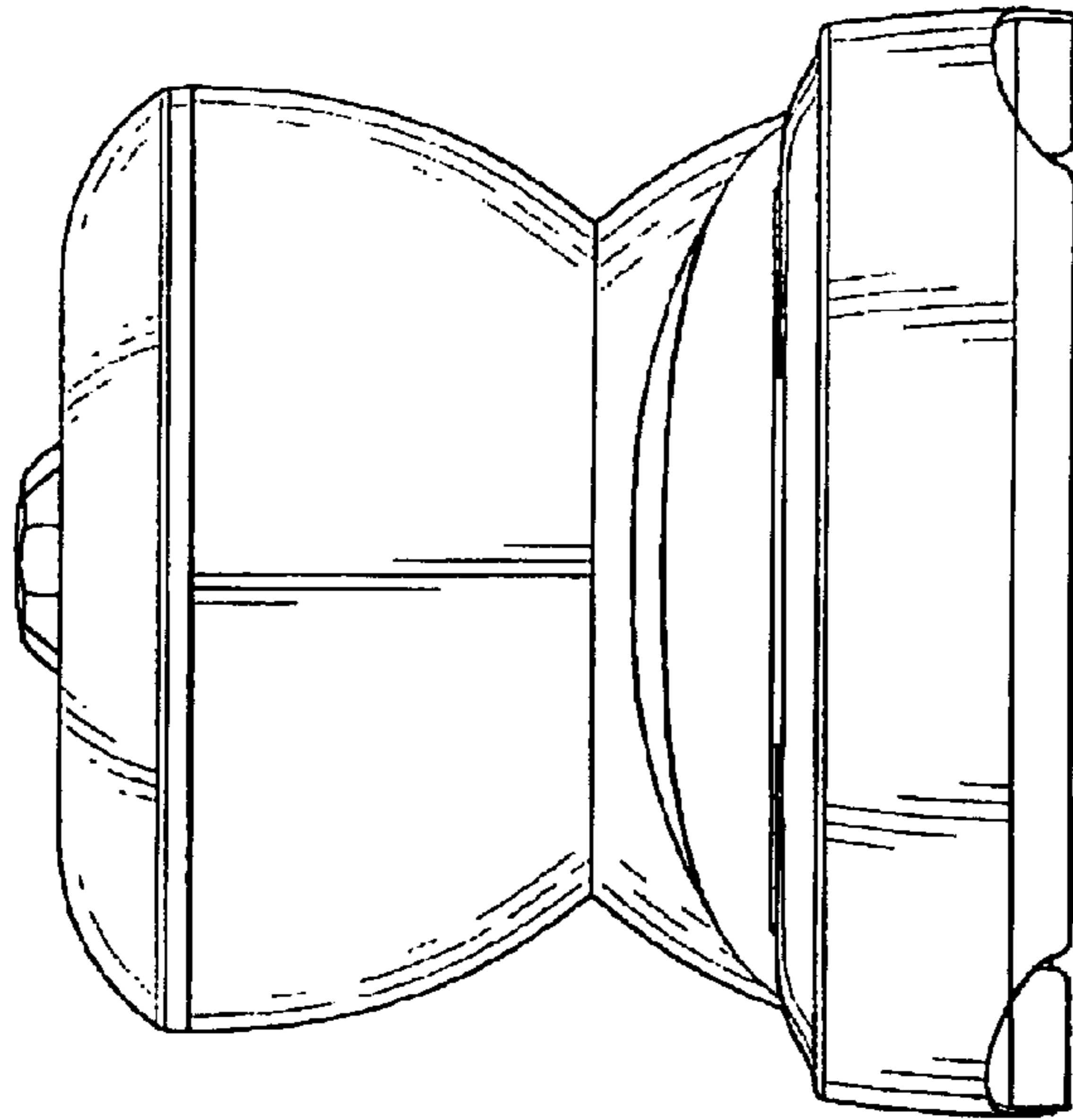


FIG. 5

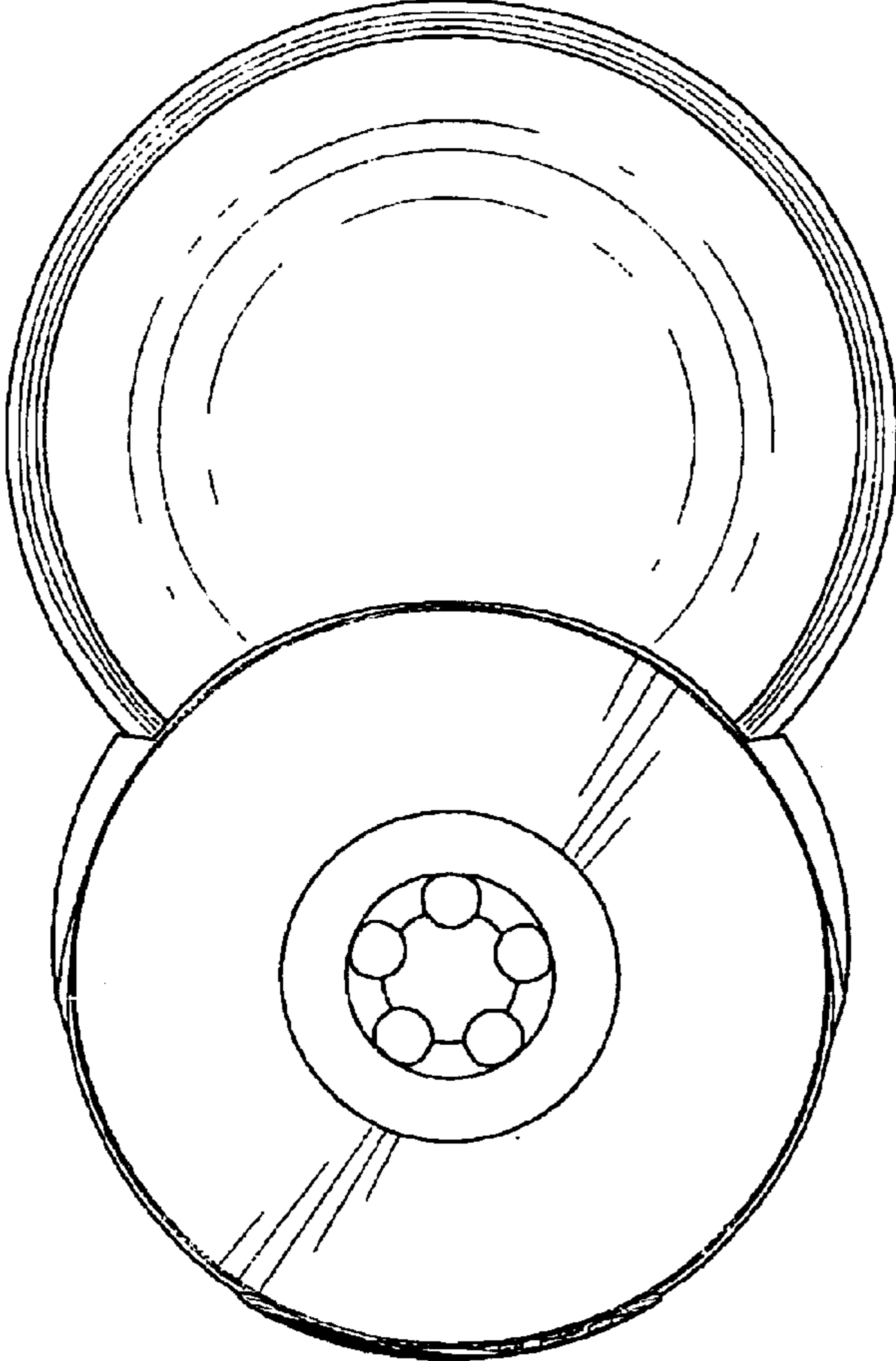


FIG. 6