

US00D504541S

(12) **United States Design Patent**
Cho

(10) **Patent No.:** **US D504,541 S**

(45) **Date of Patent:** **** Apr. 26, 2005**

(54) **HAIR CURLING HEATER**

D485,011 S * 1/2004 Nam D28/35
D489,482 S * 5/2004 Cho D28/35

(76) **Inventor:** **Ok Nam Cho**, 791-1987, Mia-1Dong,
Kangbuck-Gu, Seoul (KR)

* cited by examiner

(**) **Term:** **14 Years**

Primary Examiner—Jennifer Rivard
(74) *Attorney, Agent, or Firm*—Steven N. Fox, Esq.

(21) **Appl. No.:** **29/185,160**

(57) **CLAIM**

(22) **Filed:** **Jun. 23, 2003**

The ornamental design for a “hair curling heater,” as shown
and described.

(30) **Foreign Application Priority Data**

Dec. 24, 2002 (KR) 30-2002-0036807

DESCRIPTION

(51) **LOC (7) Cl.** **28-03**

FIG. 1 is a perspective view of the present invention;
FIG. 2 is a front elevation view of the present invention;
FIG. 3 is a rear elevation view of the present invention;
FIG. 4 is a left side elevation view of the present invention;
FIG. 5 is a right side elevation view of the present invention;
FIG. 6 is a top plan view of the present invention; and,
FIG. 7 is a bottom plan view of the present invention.

(52) **U.S. Cl.** **D28/35**

(58) **Field of Search** D28/35, 37, 38;
132/223–226, 229, 232; 219/222, 225

(56) **References Cited**

U.S. PATENT DOCUMENTS

D480,836 S * 10/2003 Kaizuka D28/35

1 Claim, 3 Drawing Sheets

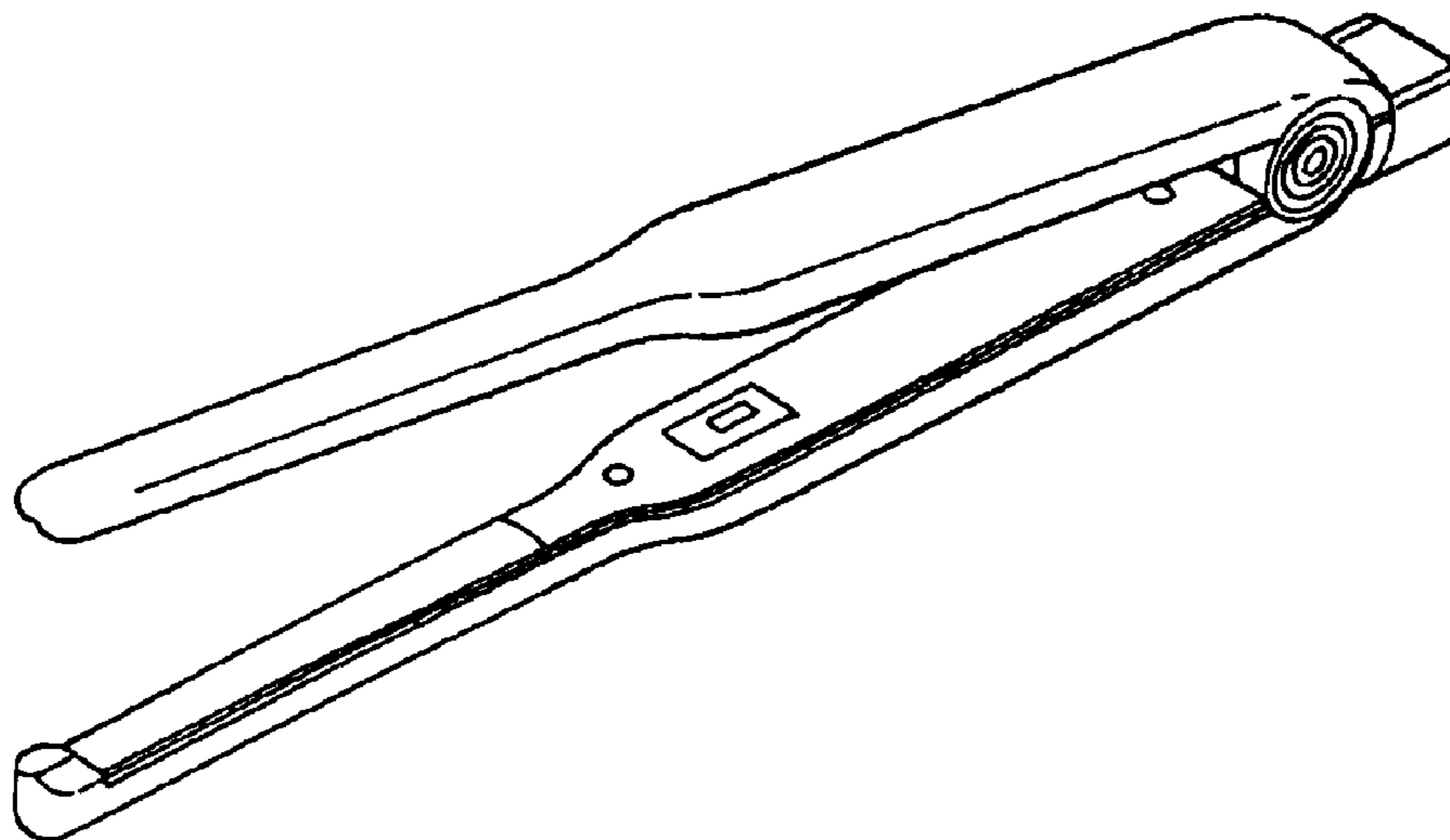


Fig. 1

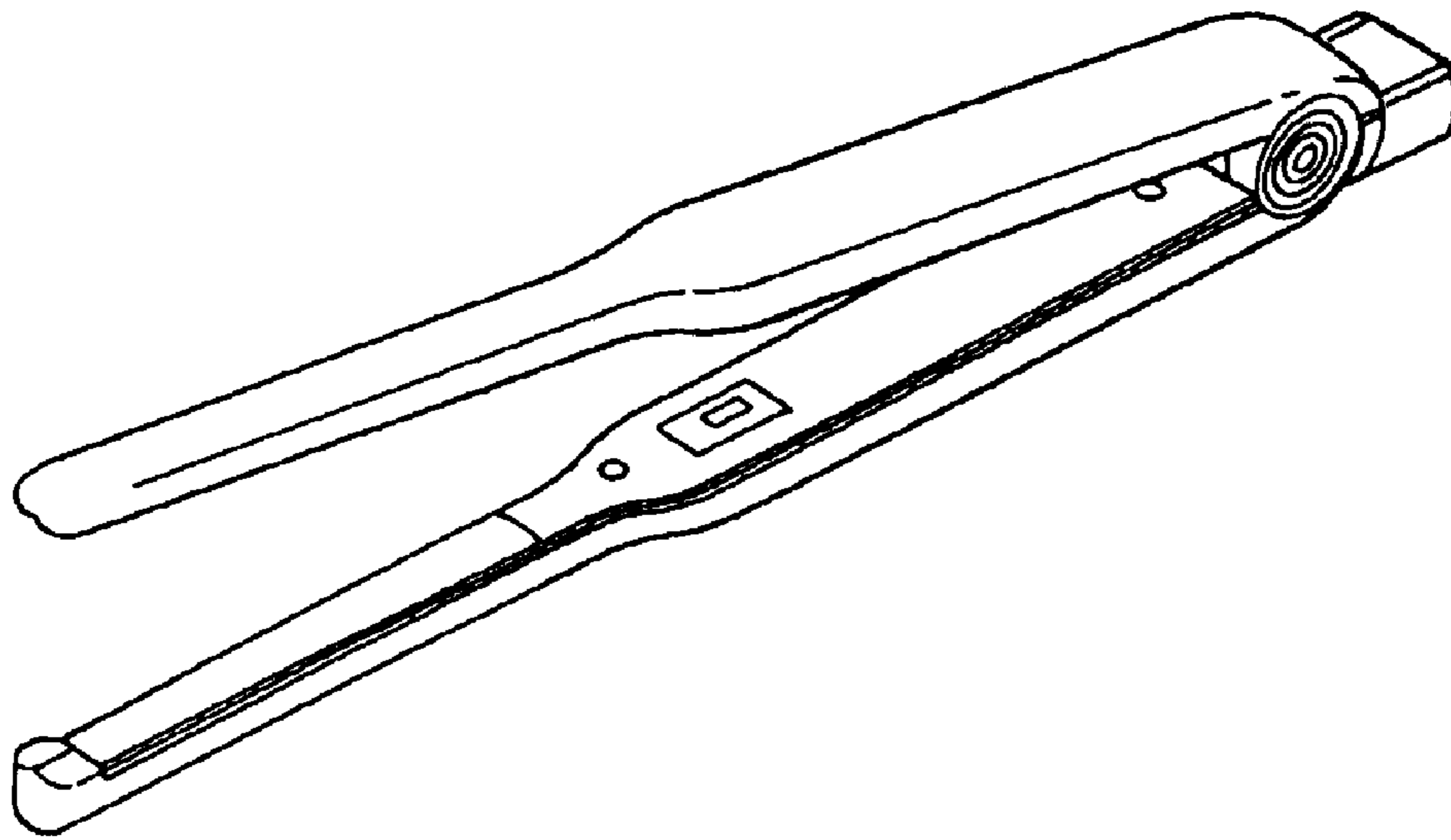


Fig. 2

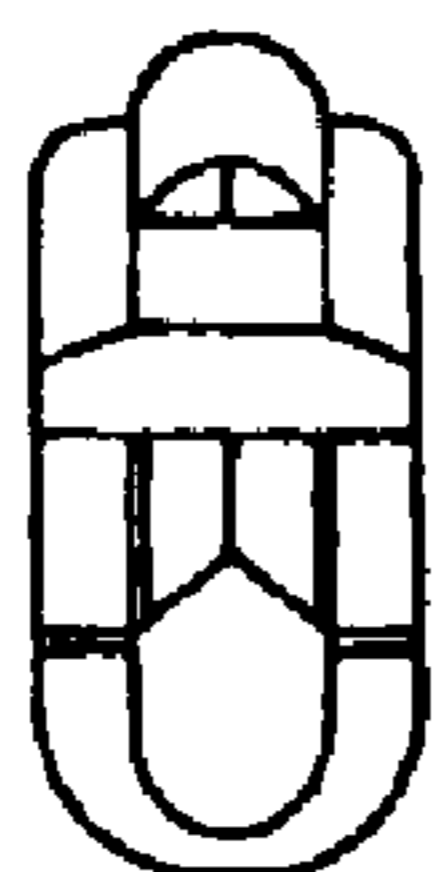


Fig. 3



Fig. 4

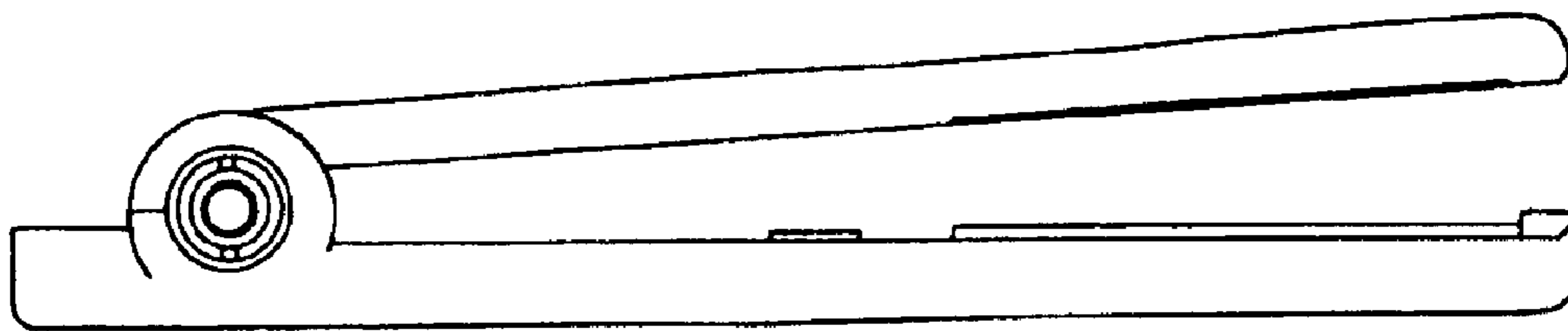


Fig. 5

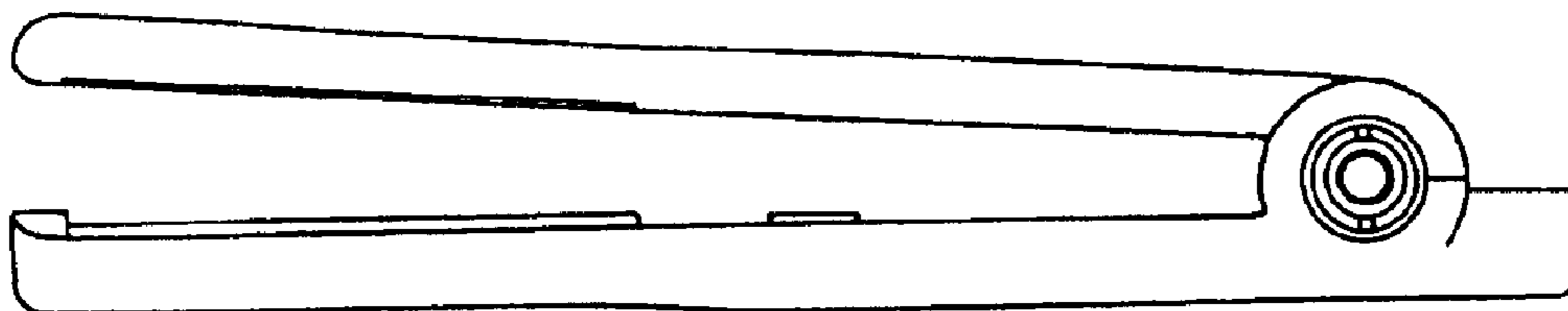


Fig. 6

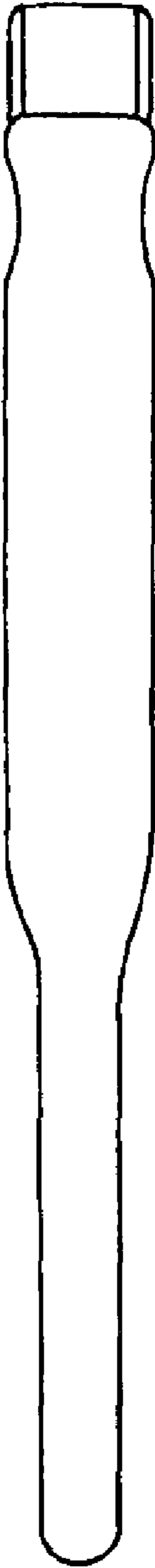


Fig. 7

