

US00D504540S

(12) **United States Design Patent**  
**Bailey**

(10) **Patent No.:** **US D504,540 S**  
(45) **Date of Patent:** **\*\* Apr. 26, 2005**

(54) **COMBINED HAND-HELD LOTION APPLICATOR AND COVER**

(76) Inventor: **Zachary J. Bailey**, 4656 Riverstone Dr., #201, Owings Mills, MD (US) 21117

(\*\*) Term: **14 Years**

(21) Appl. No.: **29/203,220**

(22) Filed: **Apr. 12, 2004**

(51) **LOC (7) Cl.** ..... **28-02**

(52) **U.S. Cl.** ..... **D28/7**

(58) **Field of Search** ..... D28/7, 63; D24/119; D4/114, 137, 138; D32/45, 51; 132/320, 317; 401/6, 187, 202-207, 261-266, 196; 15/244.1, 104.94, 209.1, 210.1

(56) **References Cited**

**U.S. PATENT DOCUMENTS**

- 2,995,768 A \* 8/1961 Skuratowicz ..... 401/6
- 4,008,968 A \* 2/1977 Hobbs ..... 401/207
- 4,078,865 A \* 3/1978 Moser ..... 401/202
- 4,299,005 A \* 11/1981 Brown ..... 401/6
- 5,087,138 A \* 2/1992 Terbrusch et al. .... 401/206
- D342,342 S \* 12/1993 Maglione ..... D28/7
- 5,353,819 A 10/1994 Kahn et al.

- 5,573,342 A \* 11/1996 Patalano ..... 401/207
- 5,659,916 A \* 8/1997 Beatty et al. .... 15/210.1
- D394,328 S \* 5/1998 Palumbo ..... D28/7
- 5,857,233 A \* 1/1999 Wynn ..... 15/97.1
- D410,110 S \* 5/1999 Roland ..... D28/7
- 5,931,591 A 8/1999 McCracken
- 5,961,235 A 10/1999 Kennedy
- 6,190,073 B1 2/2001 Kabigting
- D438,671 S 3/2001 Angeletta
- 6,247,862 B1 6/2001 Garza

\* cited by examiner

*Primary Examiner*—Lucy Lieberman

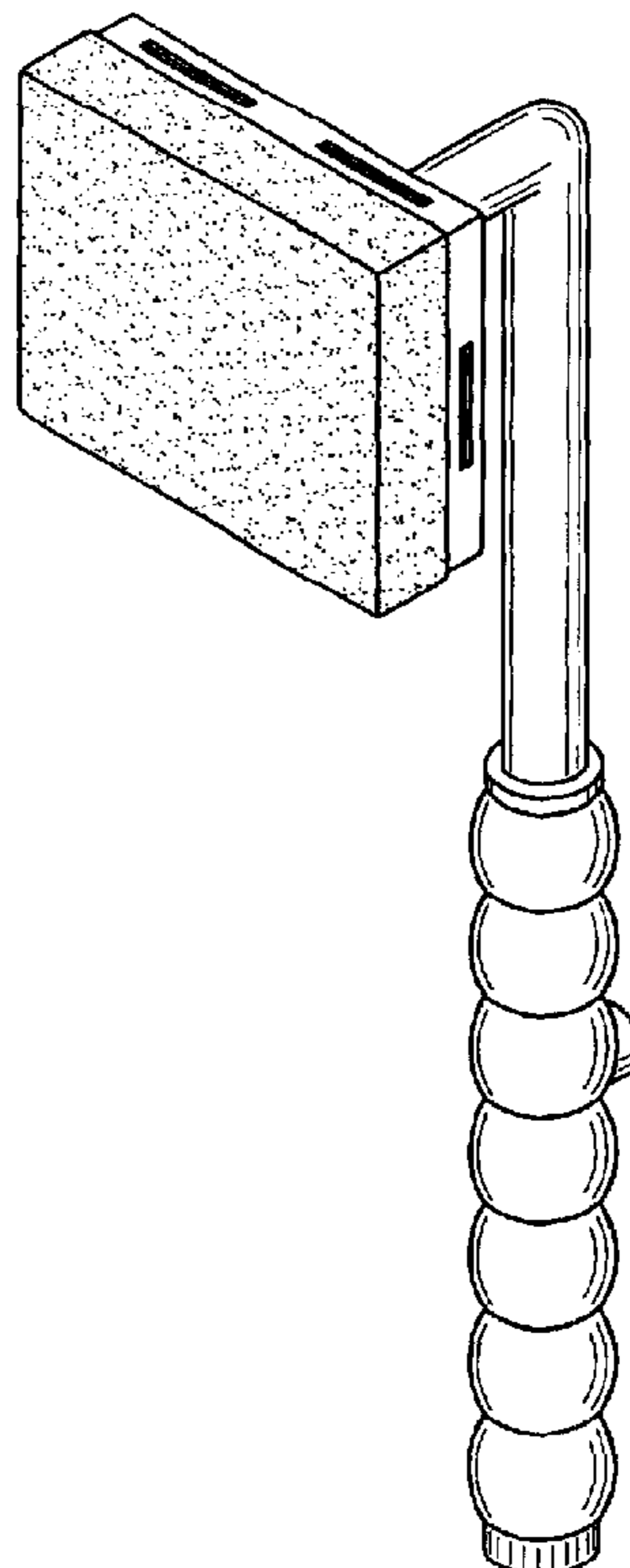
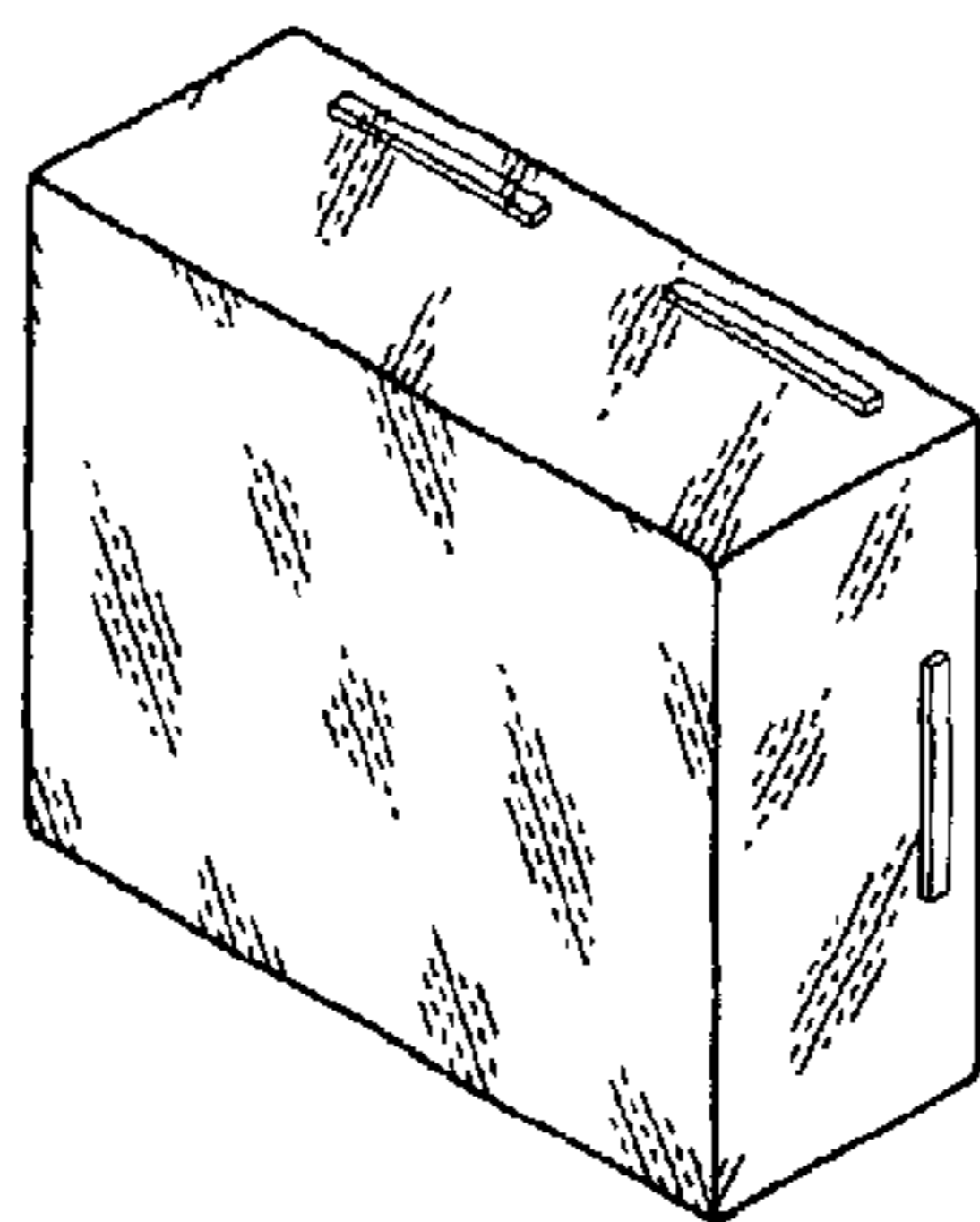
(57) **CLAIM**

The ornamental design for a combined hand-held lotion applicator and cover, as shown and described.

**DESCRIPTION**

FIG. 1 is a side elevational view of a combined hand-held lotion applicator and cover showing my new design; FIG. 2 is a front elevational view thereof; FIG. 3 is a rear elevational view thereof; FIG. 4 is a top plan view thereof; FIG. 5 is a bottom plan view thereof; and, FIG. 6 is a perspective view thereof.

**1 Claim, 6 Drawing Sheets**



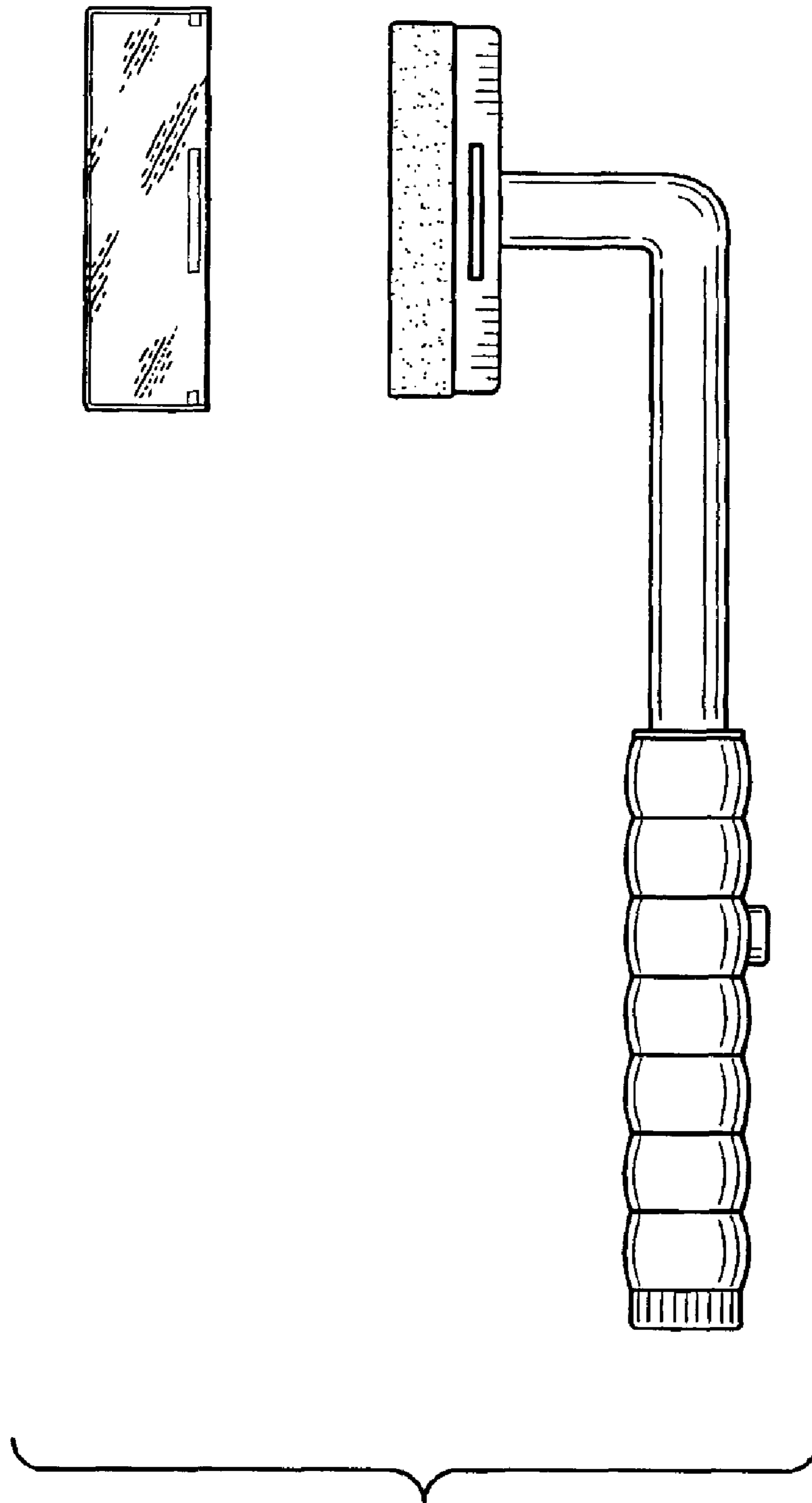


FIG. 1

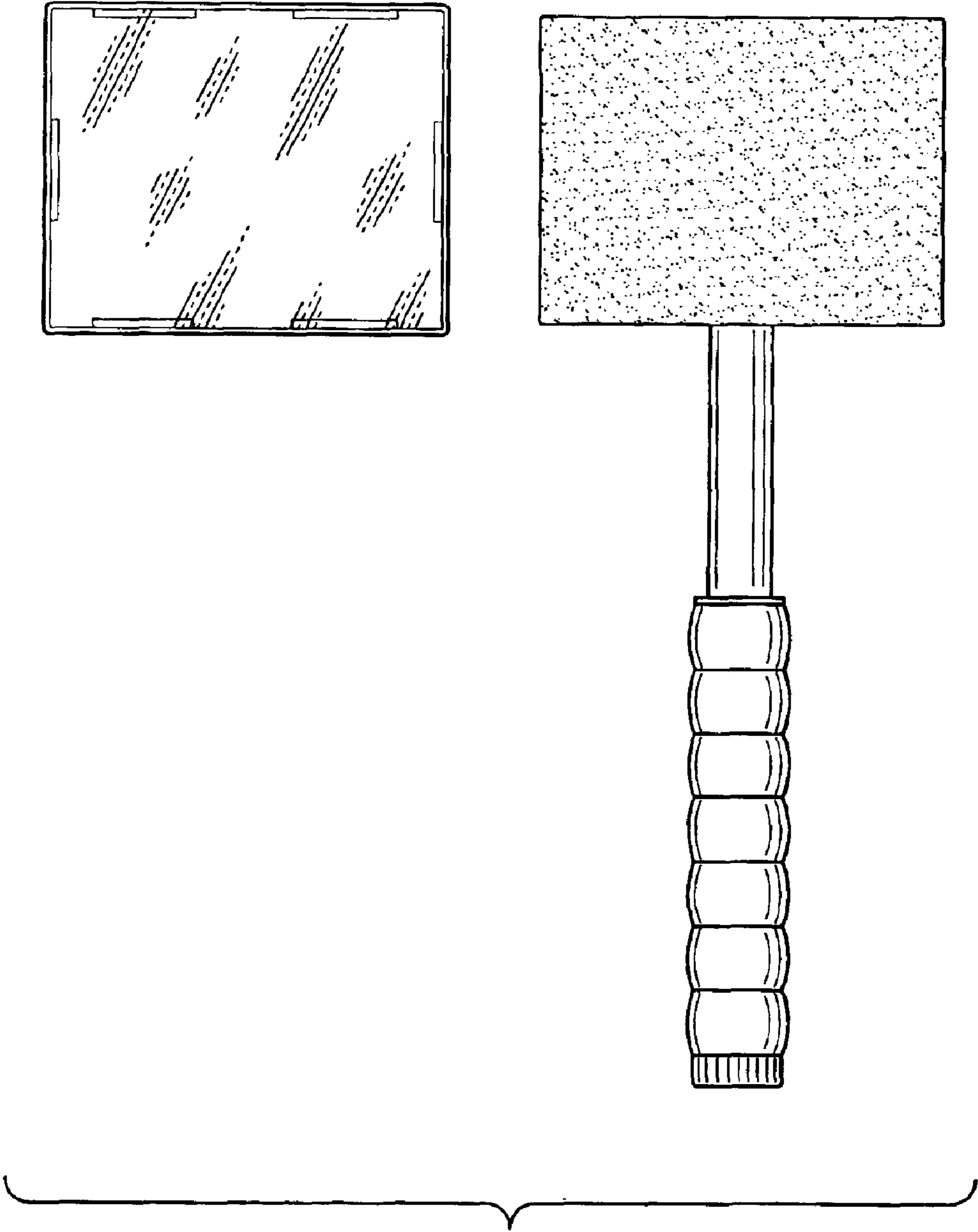


FIG. 2

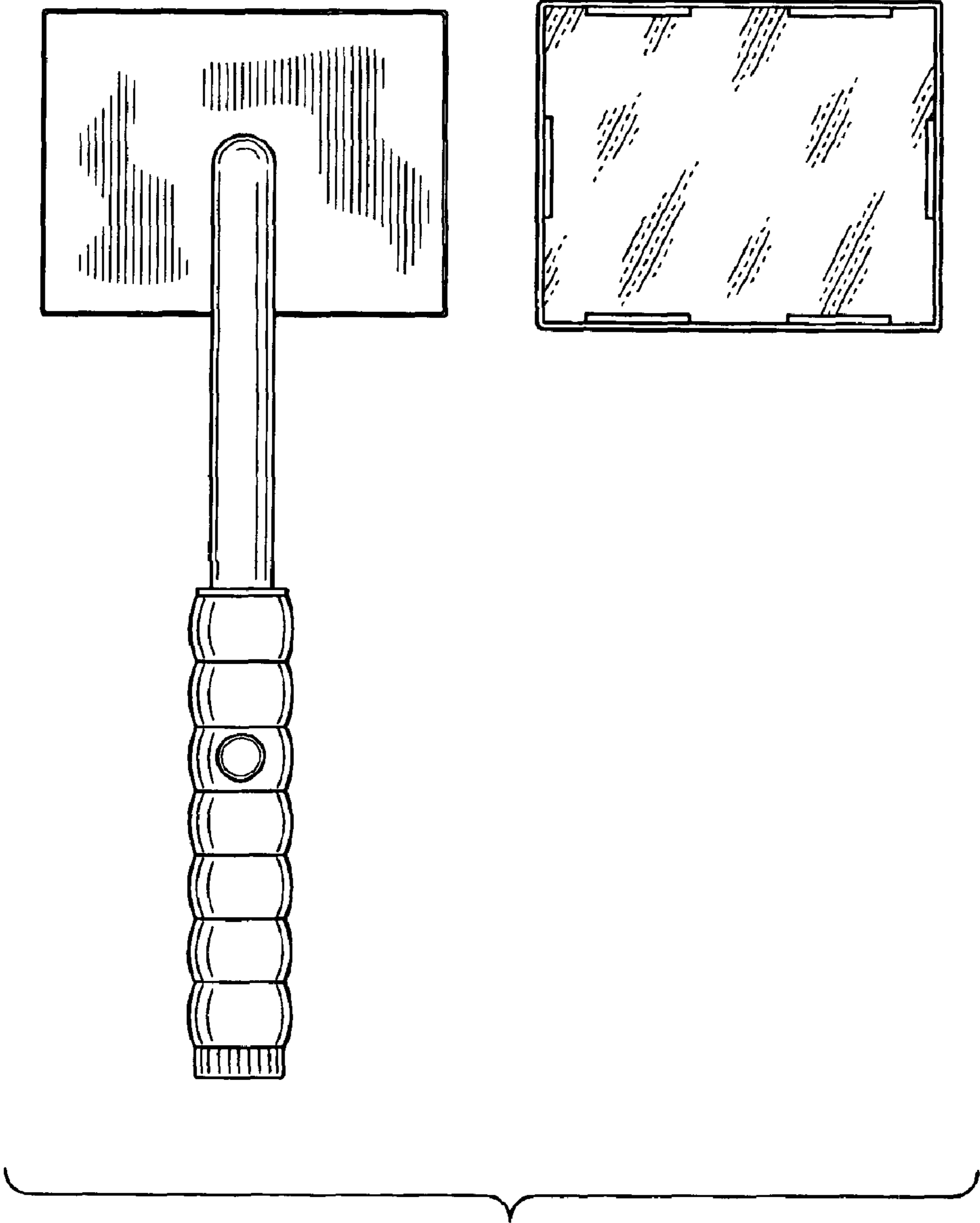


FIG.3

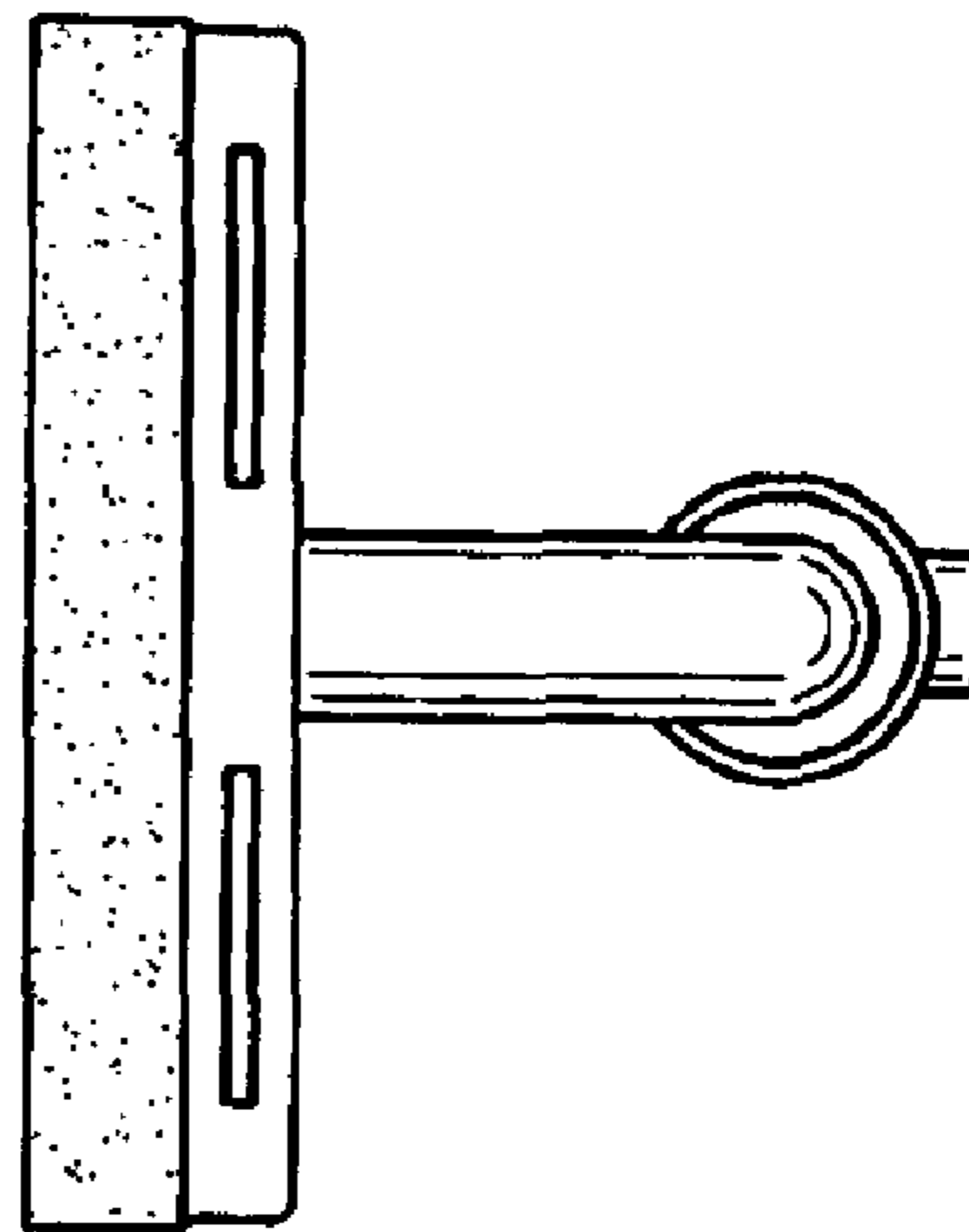
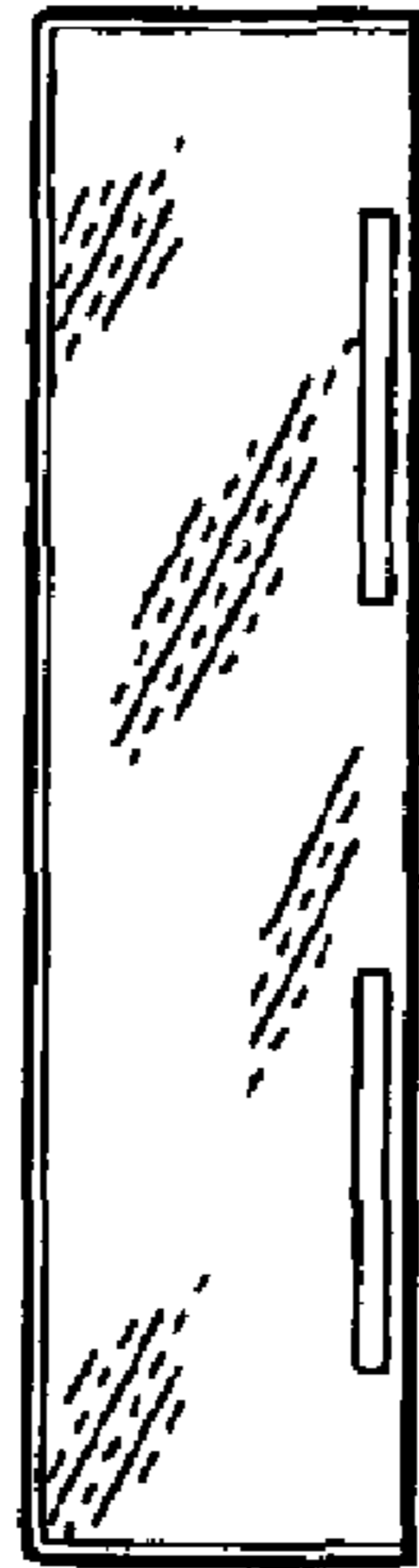
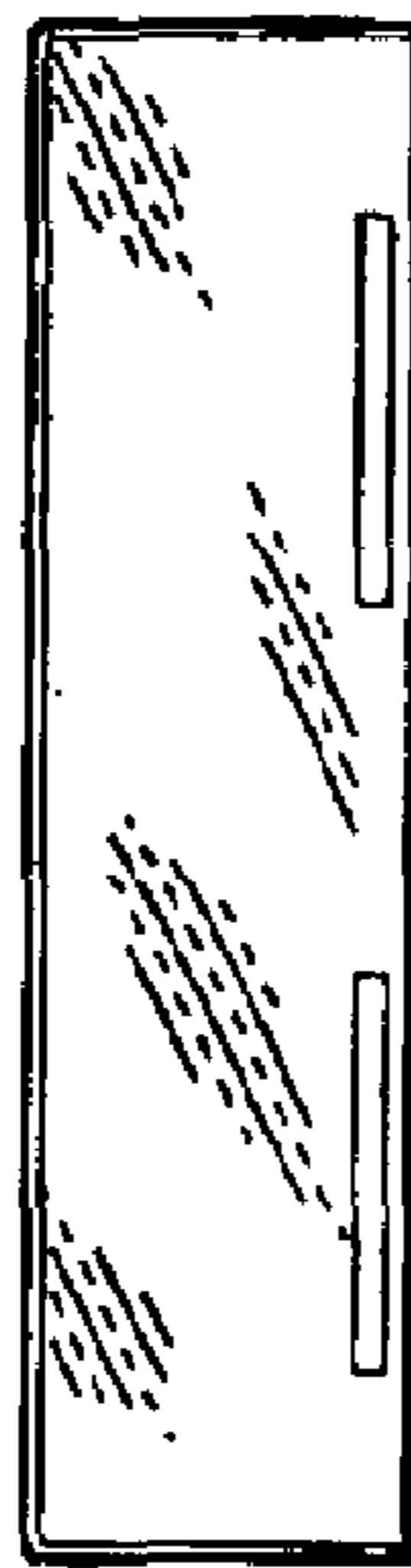
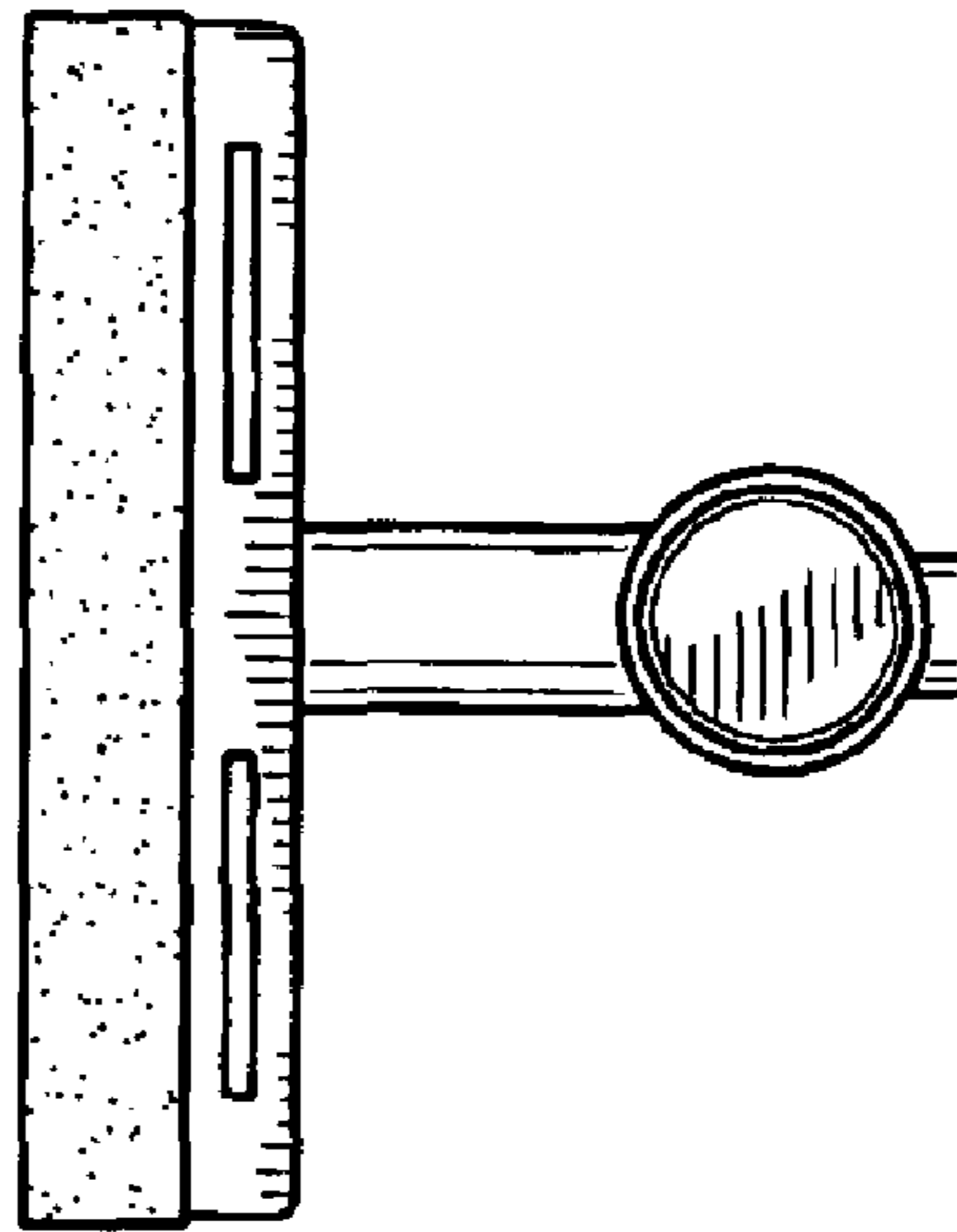


FIG.4



**FIG.5**

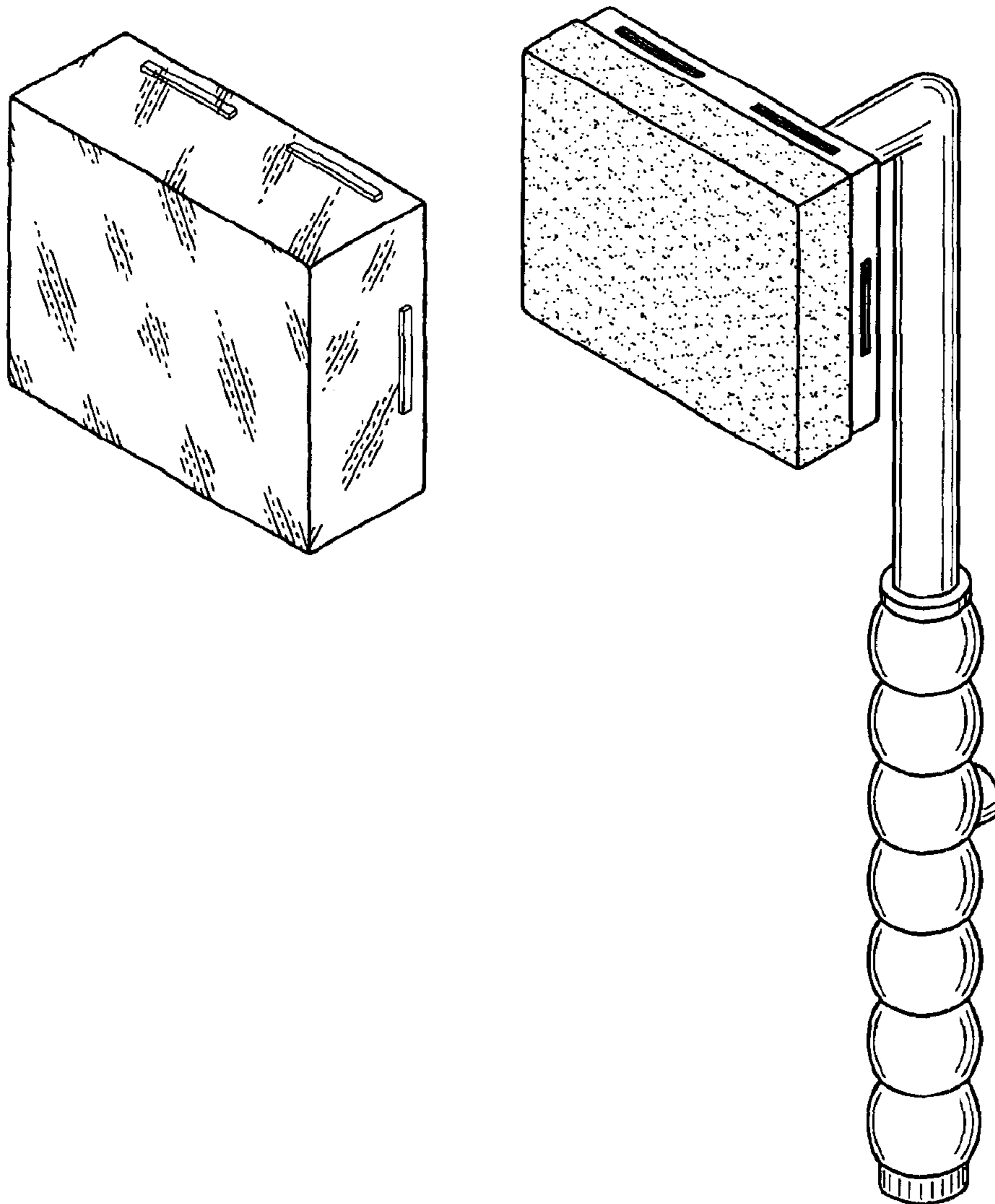


FIG.6