

US00D504539S

(12) **United States Design Patent**  
**Boyd**

(10) **Patent No.:** **US D504,539 S**  
(45) **Date of Patent:** **\*\* Apr. 26, 2005**

- (54) **DENTIFRICE**
- (75) **Inventor:** **Thomas J. Boyd, Metuchen, NJ (US)**
- (73) **Assignee:** **Colgate-Palmolive Company, New York, NY (US)**
- (\*\*) **Term:** **14 Years**
- (21) **Appl. No.:** **29/195,235**
- (22) **Filed:** **Dec. 9, 2003**
- (51) **LOC (7) Cl.** ..... **25-02**
- (52) **U.S. Cl.** ..... **D28/4; D28/8.1**
- (58) **Field of Search** ..... **D28/4, 8.1, 88, D28/90; 424/49, 50, 52, 53; D1/112, 130**

- 5,993,784 A \* 11/1999 Hill ..... 424/49
- D420,463 S 2/2000 Mandadi et al. .... D28/4
- 6,126,923 A \* 10/2000 Burke et al. .... 424/49
- 6,139,820 A \* 10/2000 Fischer et al. .... 424/52
- 6,592,852 B1 7/2003 Ryles et al. .... 424/49

\* cited by examiner

*Primary Examiner*—Jennifer Rivard  
(74) *Attorney, Agent, or Firm*—Clifford E. Wilkins

(57) **CLAIM**

The ornamental design for a dentifrice, as shown and described.

**DESCRIPTION**

The dentifrice is at least partially transparent with suspended circular shaped pieces.

FIG. 1 is a perspective view of a segment of the dentifrice of my design;

FIG. 2 is a side elevation view thereof.

FIG. 3 is an end elevation view thereof; and,

FIG. 4 is a top plan view thereof.

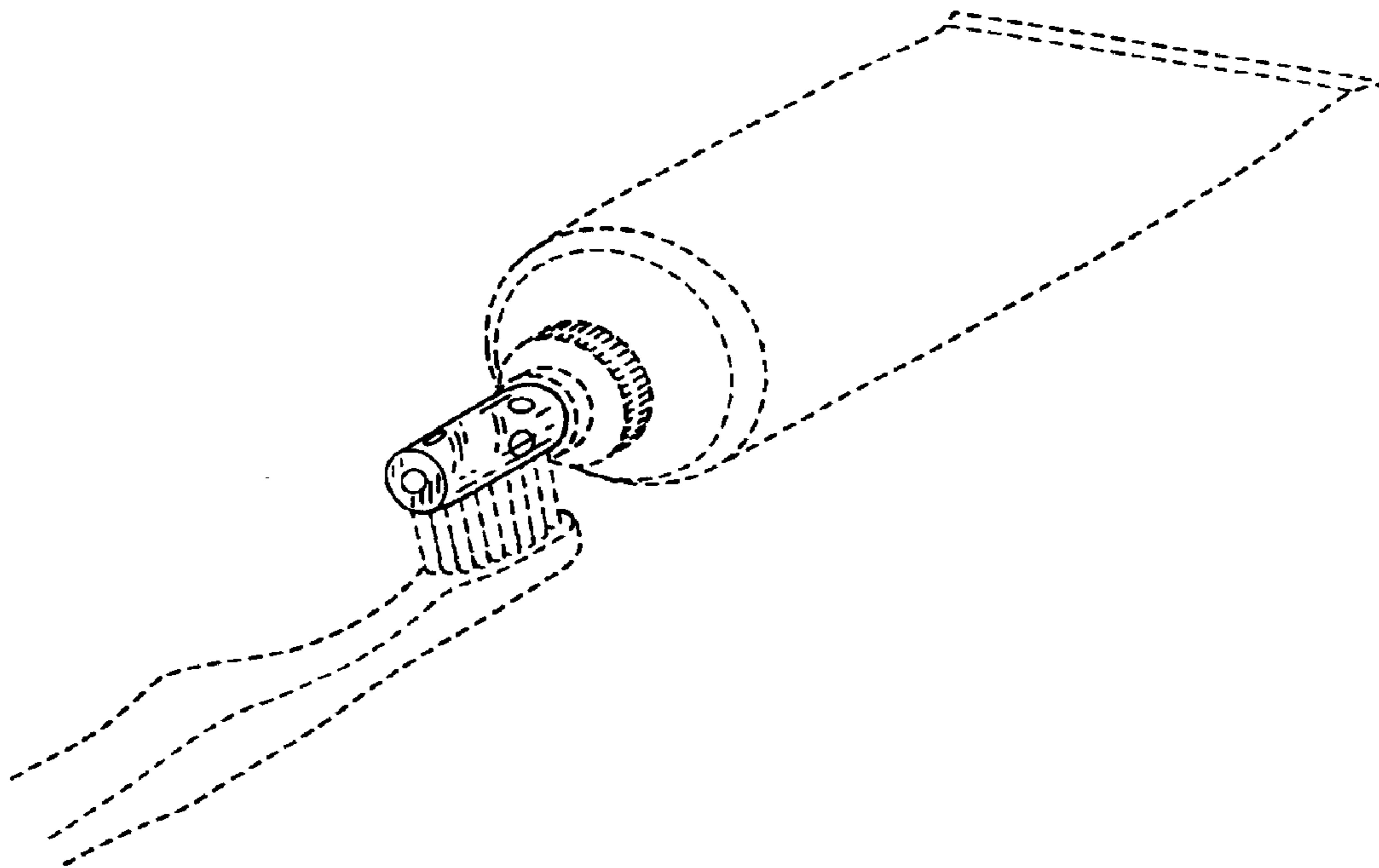
The broken line showing of a toothbrush and tube are for illustrative purposes only and form no part of the claimed design.

(56) **References Cited**

**U.S. PATENT DOCUMENTS**

- 3,944,661 A 3/1976 Colodney et al. .... 424/49
- 4,003,971 A 1/1977 Mannara ..... 264/9
- 4,069,311 A 1/1978 Mannara ..... 424/49
- 4,069,312 A 1/1978 Mannara ..... 424/49
- D277,611 S \* 2/1985 Sanabria ..... D28/8.1
- 4,663,152 A \* 5/1987 Barth et al. .... 424/49
- 4,849,212 A 7/1989 Glandorf et al. .... 424/52
- D304,382 S \* 10/1989 Mohrle ..... D28/8.1

**1 Claim, 1 Drawing Sheet**



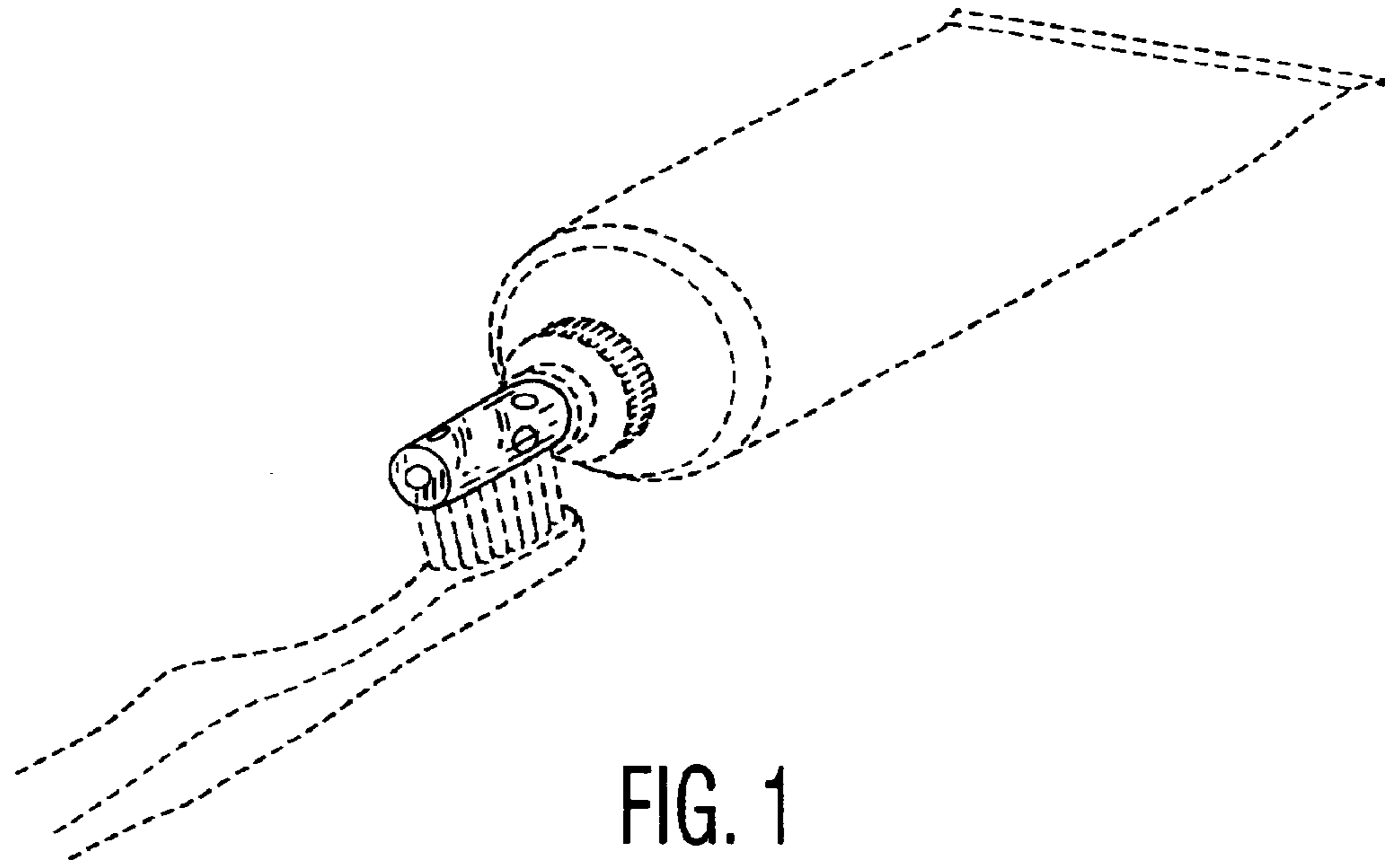


FIG. 1

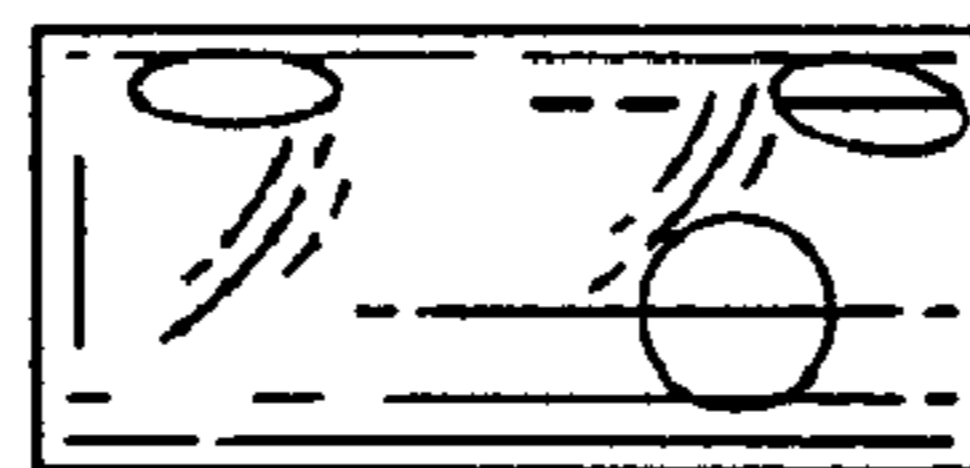


FIG. 2



FIG. 3

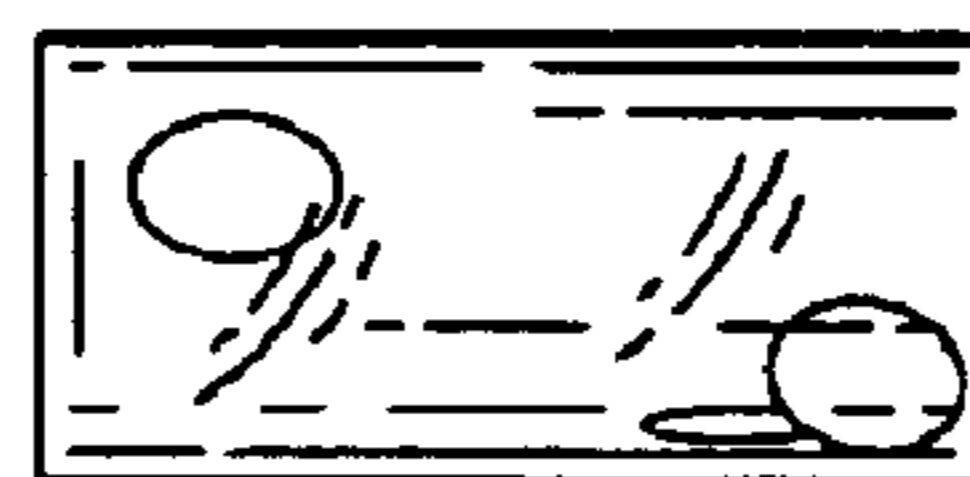


FIG. 4