

US00D504538S

(12) **United States Design Patent**
Waldmann

(10) **Patent No.:** **US D504,538 S**
(45) **Date of Patent:** **** Apr. 26, 2005**

(54) **FLOOR LAMP**

(75) **Inventor:** **Gerhard Waldmann**, Dauchingen (DE)

(73) **Assignee:** **Herbert Waldmann GmbH & Co.**,
Villingen-Schwenningen (DE)

(**) **Term:** **14 Years**

(21) **Appl. No.:** **29/168,874**

(22) **Filed:** **Oct. 10, 2002**

(30) **Foreign Application Priority Data**

Apr. 12, 2002 (DE) 4 02 03 350

(51) **LOC (7) Cl.** **26-03**

(52) **U.S. Cl.** **D26/107**

(58) **Field of Search** D26/61-66, 93,
D26/102, 104-112; 362/217-225, 410-414,
431

(56) **References Cited**

U.S. PATENT DOCUMENTS

D356,390 S	*	3/1995	Gismondi et al.	D26/107
D382,080 S	*	8/1997	De Lucchi	D26/107
D403,462 S	*	12/1998	de Longcamp	D26/107
5,931,556 A	*	8/1999	Herst et al.	362/225 X
D448,885 S	*	10/2001	Gismondi	D26/106
6,439,748 B1	*	8/2002	Hsieh	362/413 X

OTHER PUBLICATIONS

Best Catalog in the Washington Post newspaper, Sep. 27, 1992, Swing-Arm lamp 'I' on p. 15.*

* cited by examiner

Primary Examiner—Alan P. Douglas

Assistant Examiner—Linda Brooks

(74) *Attorney, Agent, or Firm*—Eugene E. Renz, Jr.

(57) **CLAIM**

The ornamental design for a floor lamp, as shown and described.

DESCRIPTION

FIG. 1 is a perspective view of a first embodiment of a floor lamp in accordance with my design;

FIG. 2 is a front elevational view of my design for the floor lamp;

FIG. 3 is a rear elevational view of my design for the floor lamp;

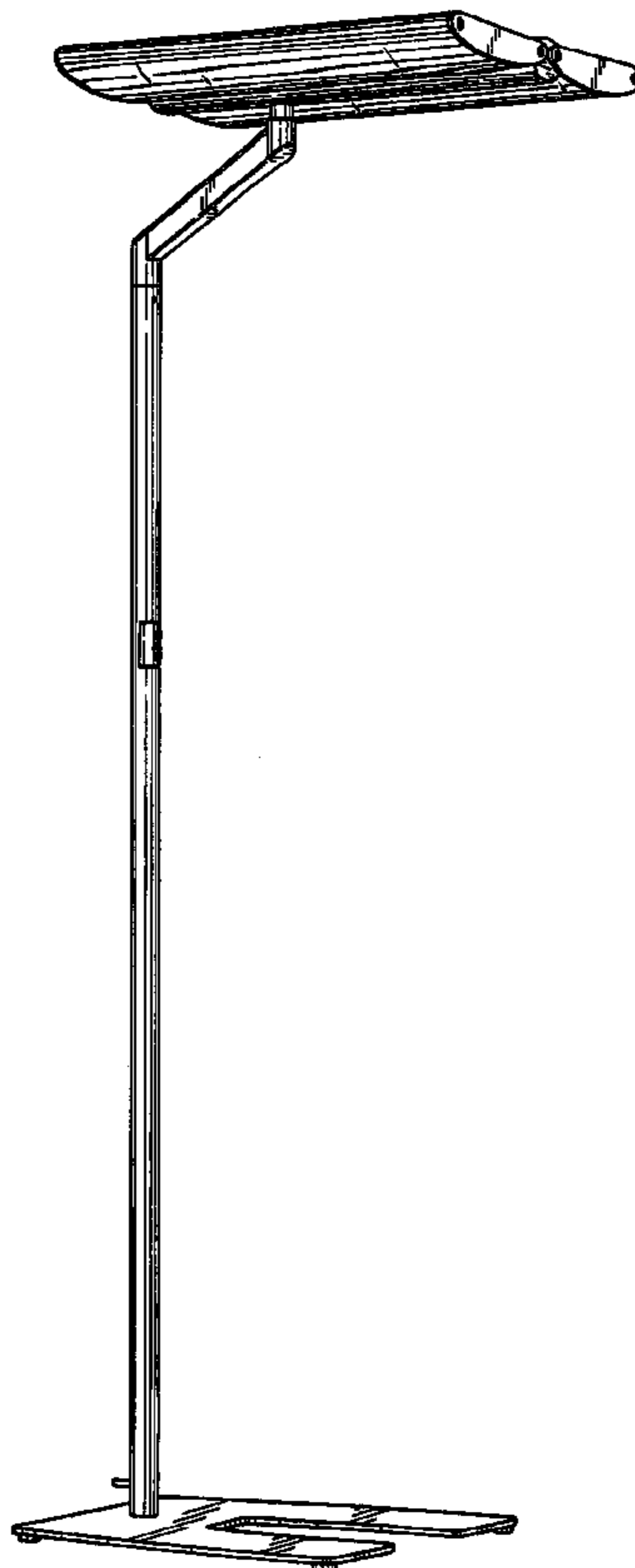
FIG. 4 is a right side elevational view of my design for the floor lamp;

FIG. 5 is a left side elevational view of my design for the floor lamp;

FIG. 6 is a bottom plan view of the lamp head, shown separately and without the cover for clarity; and,

FIG. 7 is a bottom plan view of the floor lamp.

1 Claim, 6 Drawing Sheets



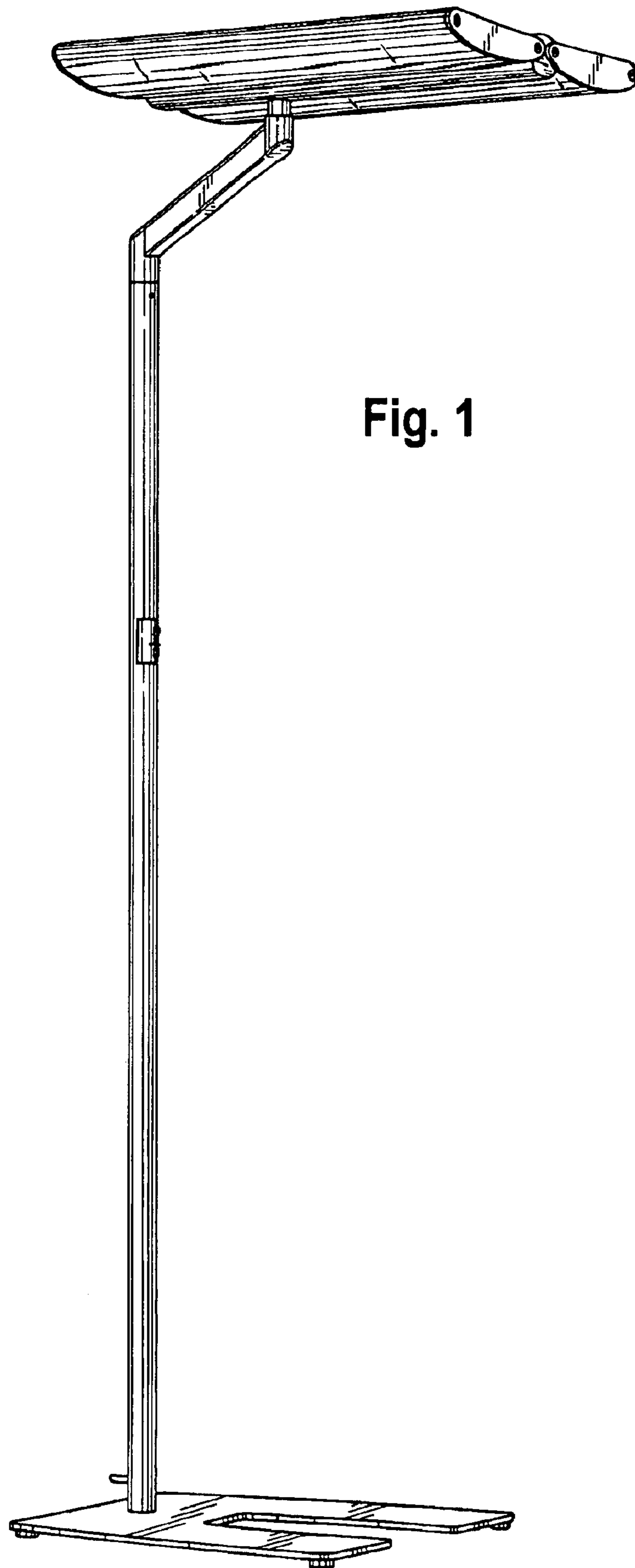


Fig. 1

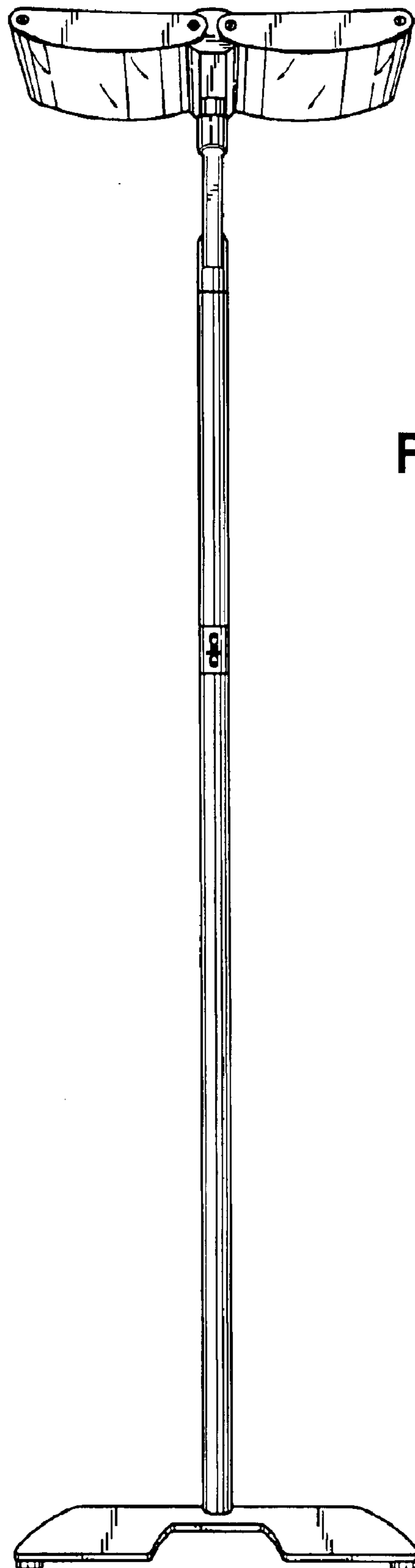


Fig. 2

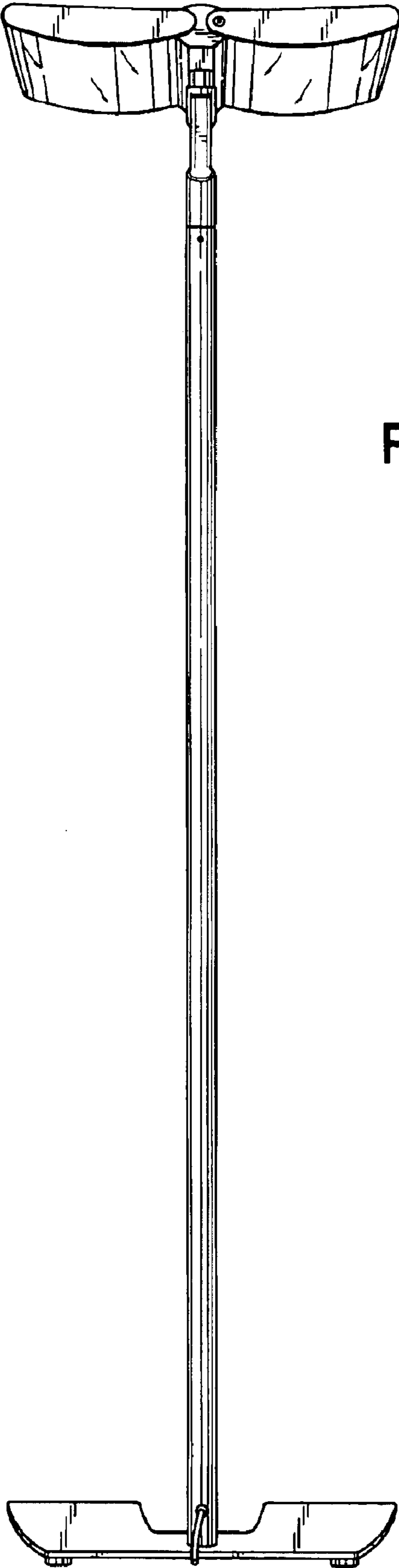


Fig. 3

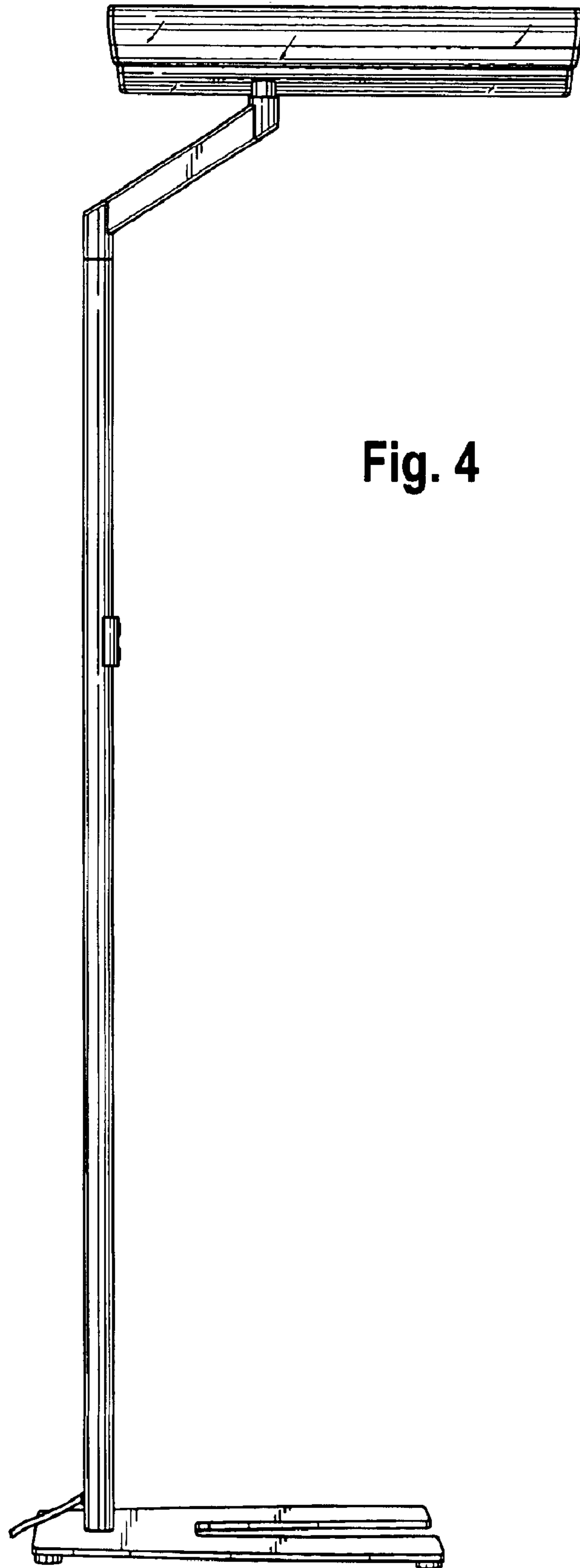


Fig. 4

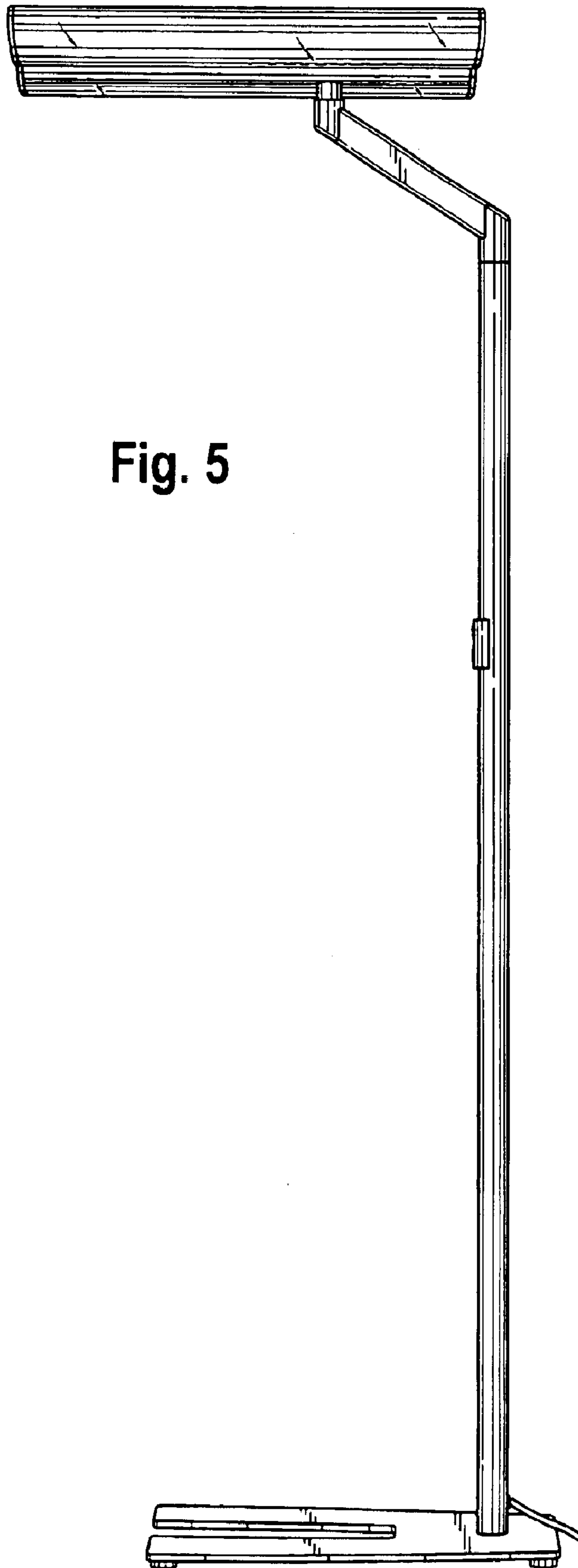


Fig. 5

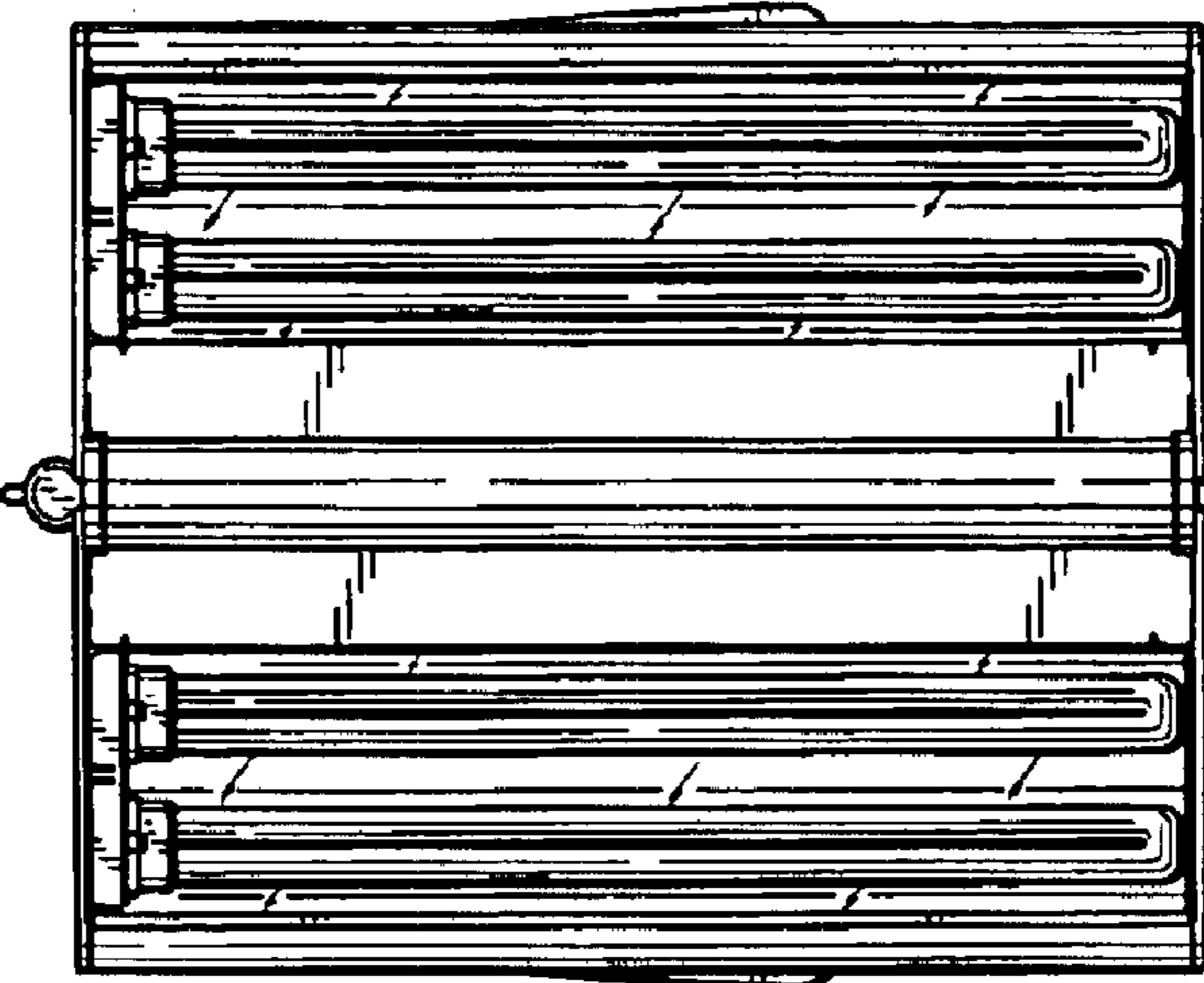


Fig. 6

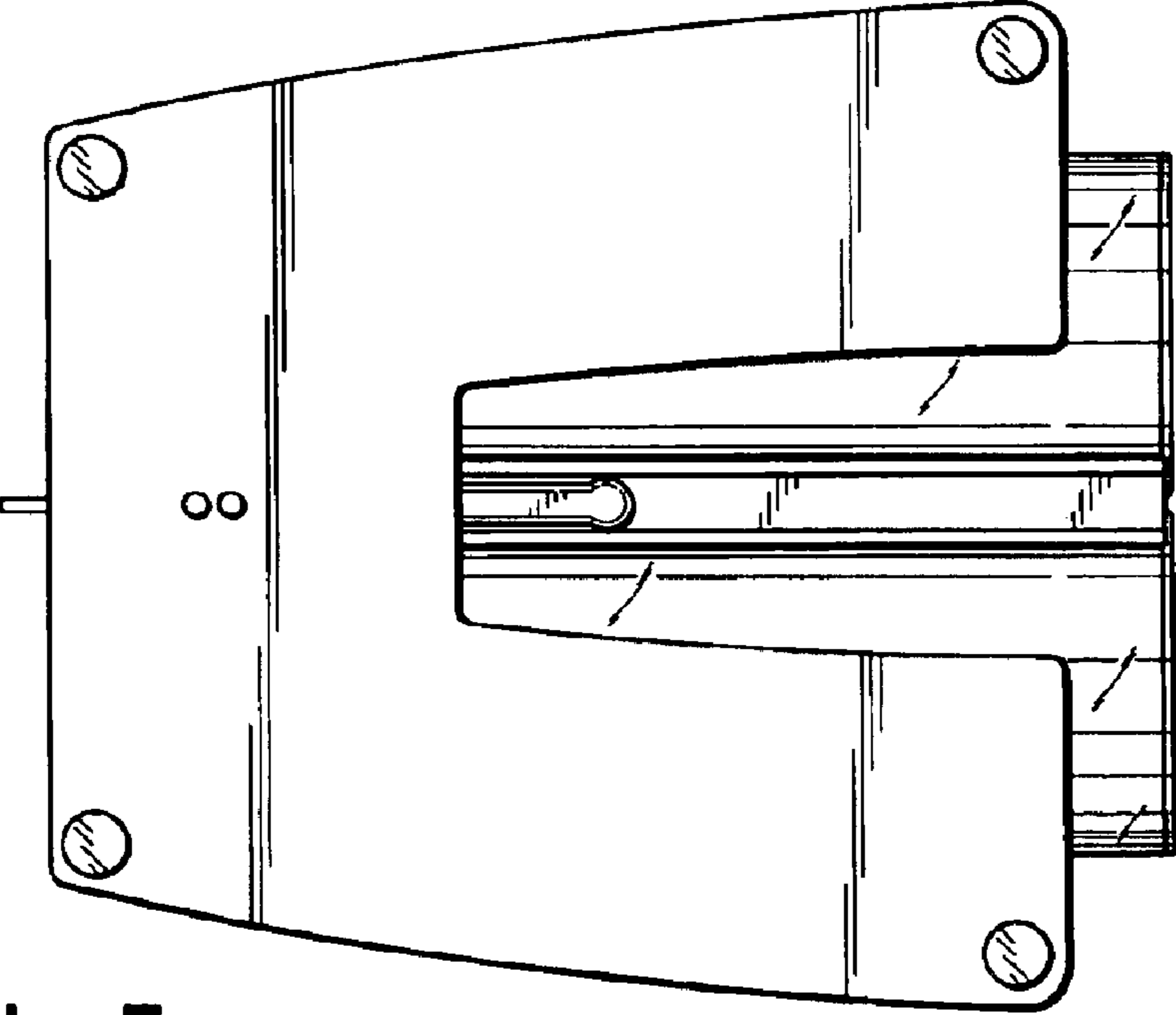


Fig. 7