

US00D504533S

(12) **United States Design Patent**  
**Hussaini et al.**

(10) **Patent No.: US D504,533 S**  
(45) **Date of Patent: \*\* Apr. 26, 2005**

(54) **HANDHELD SPOTLIGHT**

(75) Inventors: **Saied Hussaini**, Miami, FL (US); **Marc Iacovelli**, Miami, FL (US)

(73) Assignee: **Rally Manufacturing, Inc.**, Miami, FL (US)

(\*\*) Term: **14 Years**

(21) Appl. No.: **29/211,444**

(22) Filed: **Aug. 17, 2004**

(51) **LOC (7) Cl.** ..... **26-02**

(52) **U.S. Cl.** ..... **D26/45**

(58) **Field of Search** ..... D26/37-50; 362/157,  
362/158, 171-174, 183-208

(56) **References Cited**

**U.S. PATENT DOCUMENTS**

D322,488 S \* 12/1991 Lindsay ..... D26/45  
D434,513 S \* 11/2000 Poon ..... D26/45

D462,470 S \* 9/2002 Krieger et al. .... D26/45

\* cited by examiner

*Primary Examiner*—Marcus A. Jackson

(74) *Attorney, Agent, or Firm*—Liniak, Bernato & White

(57) **CLAIM**

The ornamental design for a handheld spotlight, as shown and described.

**DESCRIPTION**

FIG. 1 is a front, top and right perspective view of the handheld spotlight according to the present invention.

FIG. 2 is a right side view of the handheld spotlight of FIG. 1.

FIG. 3 is a left side view of the handheld spotlight of FIG. 1.

FIG. 4 is a front view of the handheld spotlight of FIG. 1.

FIG. 5 is a rear view of the handheld spotlight of FIG. 1.

FIG. 6 is a top view of the handheld spotlight of FIG. 1; and,

FIG. 7 is a bottom view of the handheld spotlight of FIG. 1.

**1 Claim, 6 Drawing Sheets**

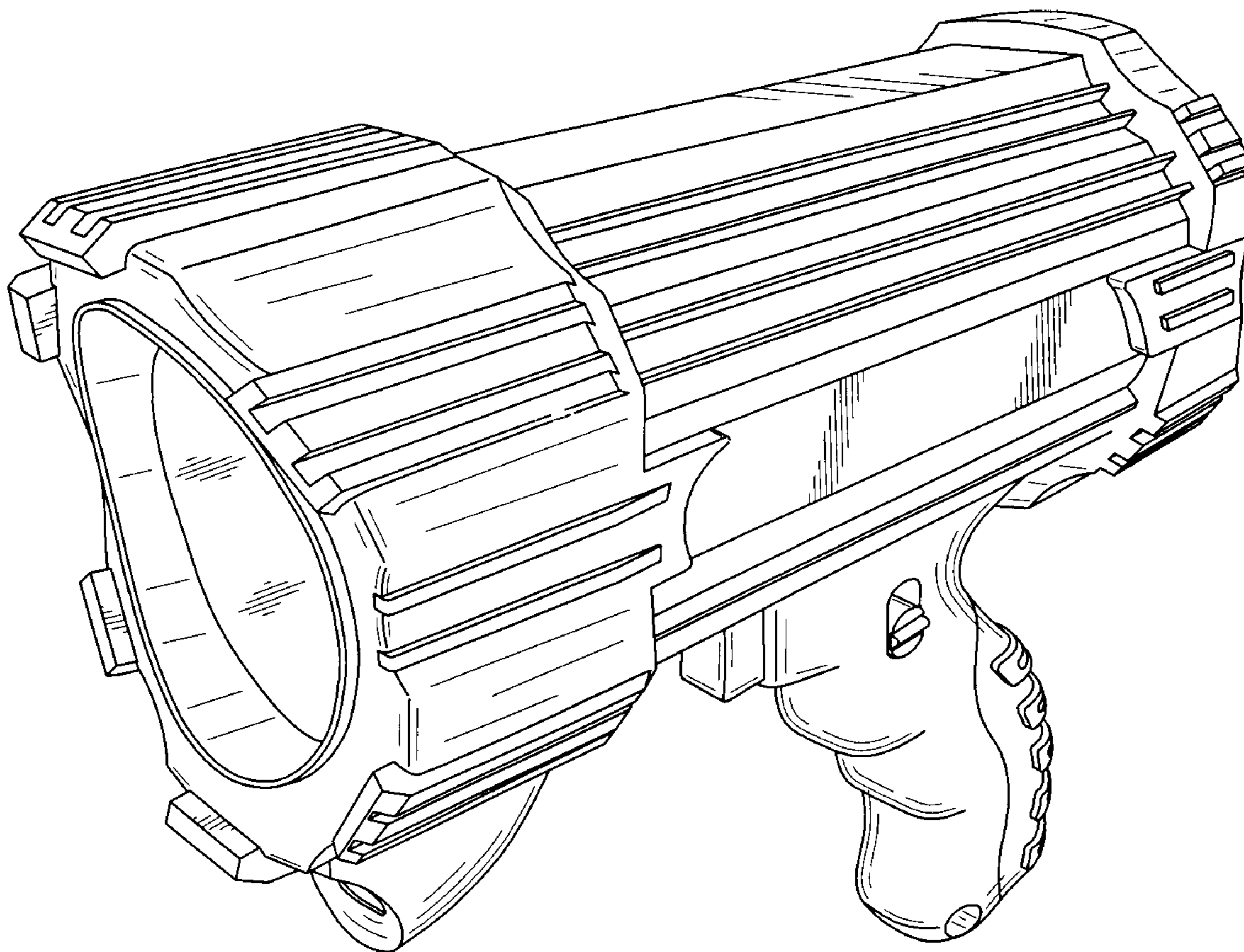


Fig. 1

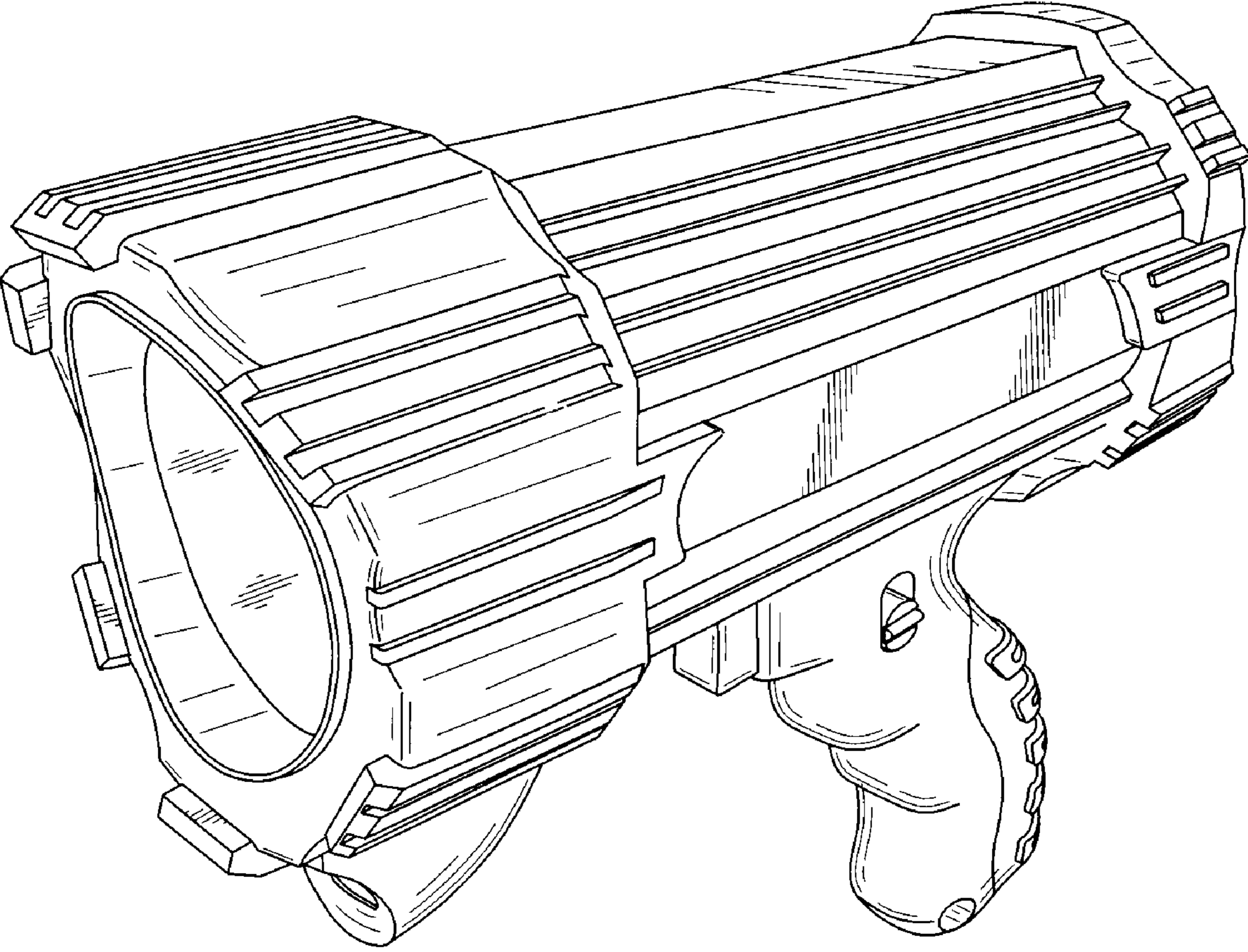


Fig. 2

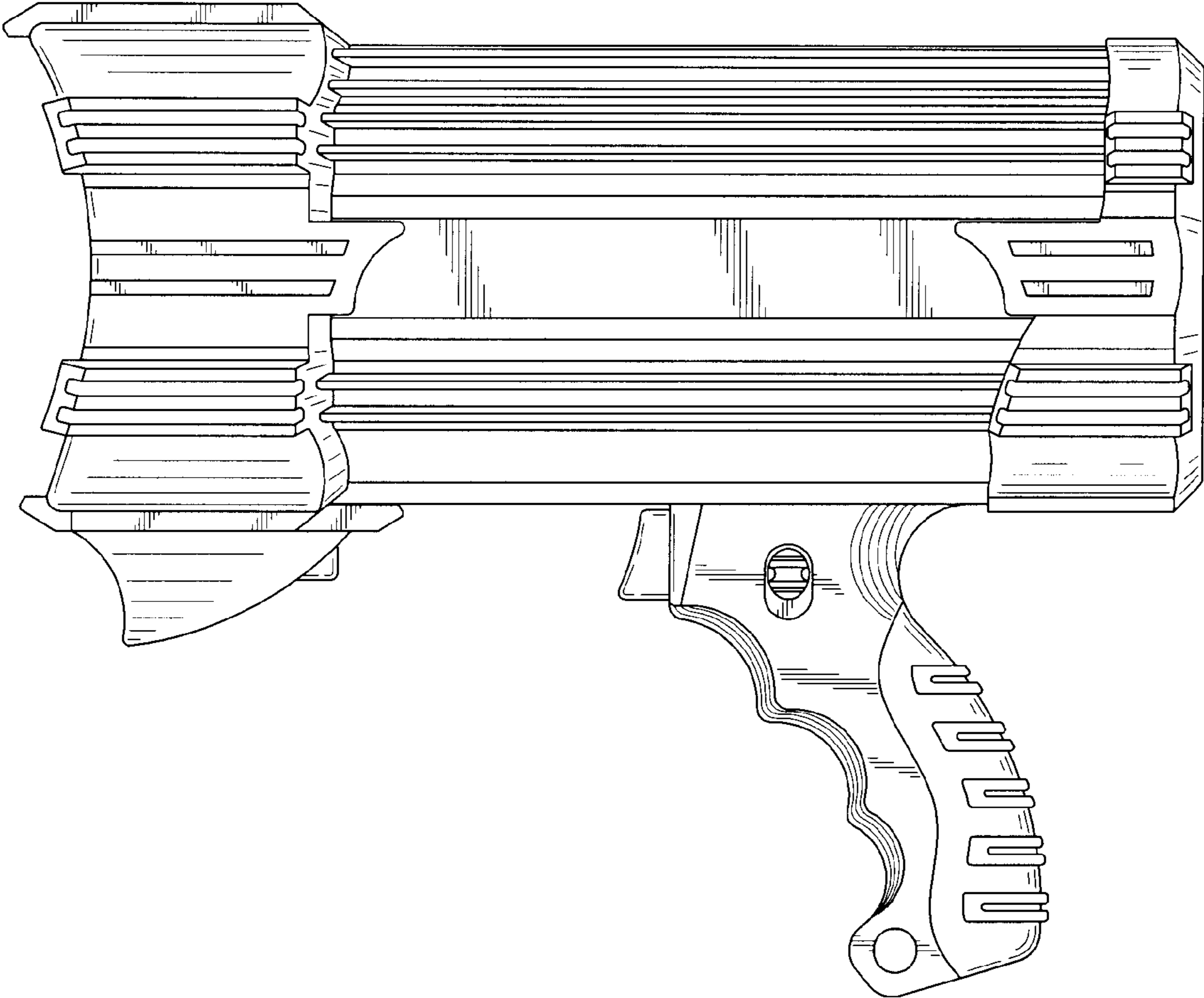


Fig. 3

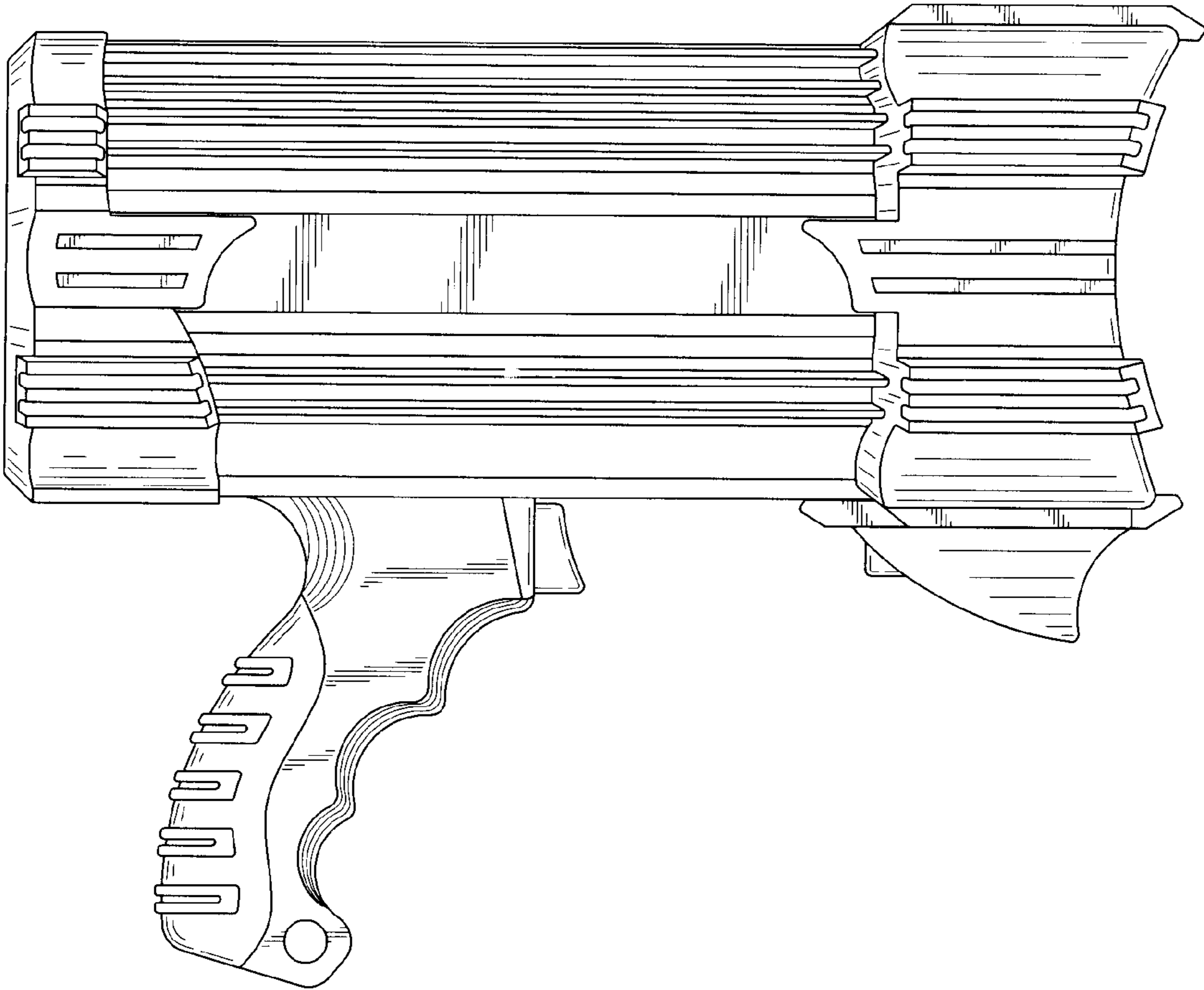


Fig. 4

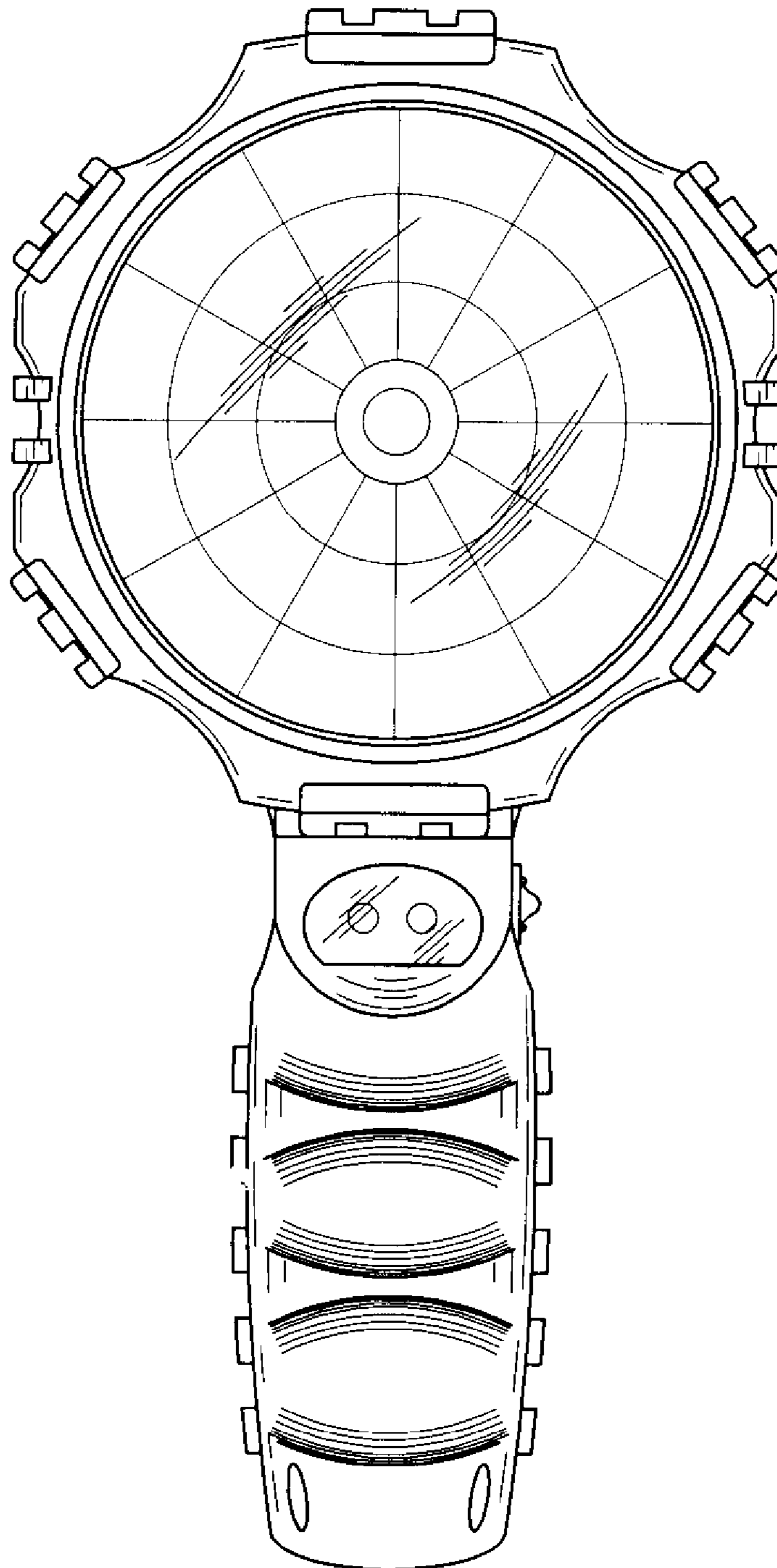


Fig. 5

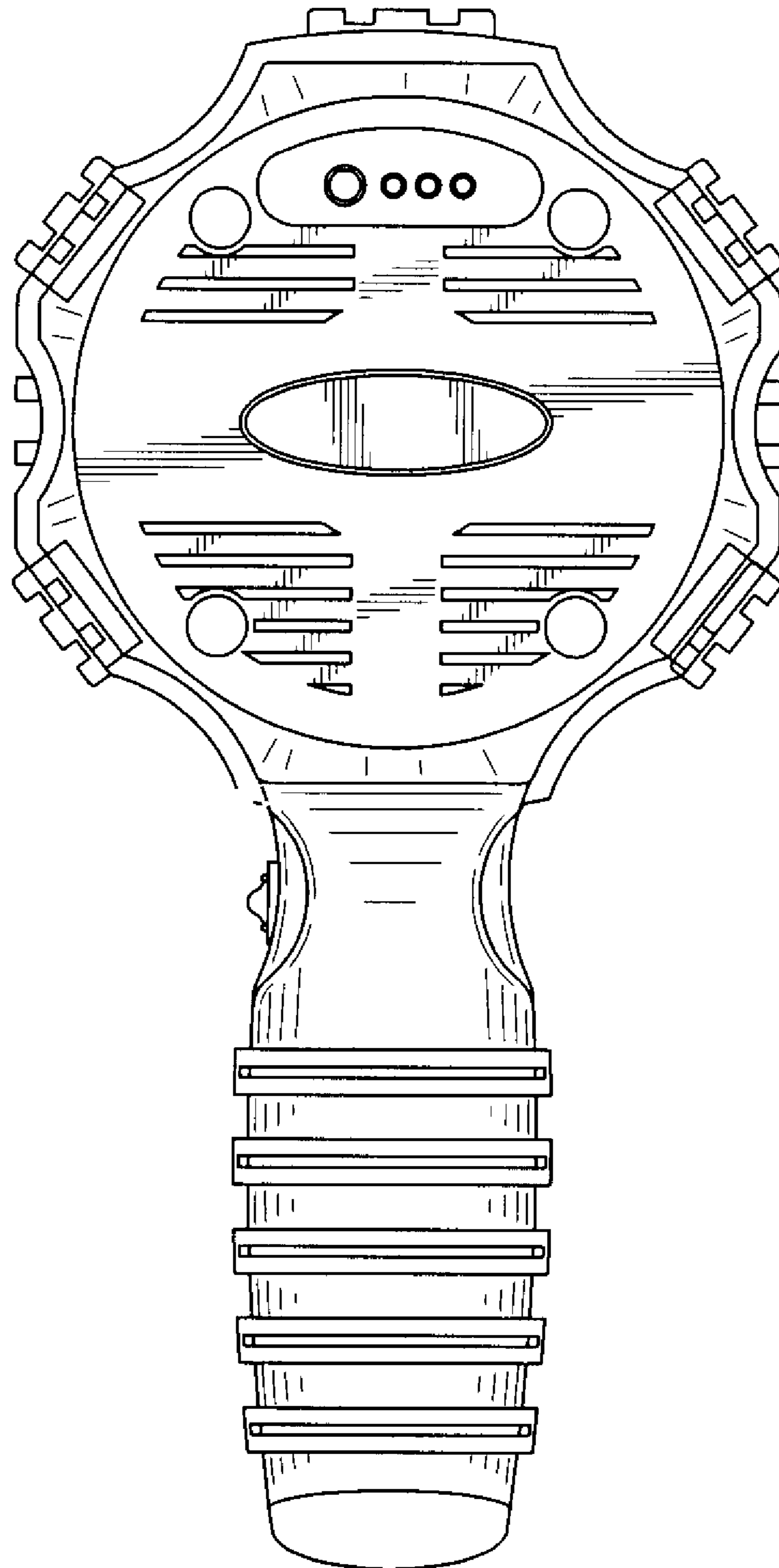


Fig. 6

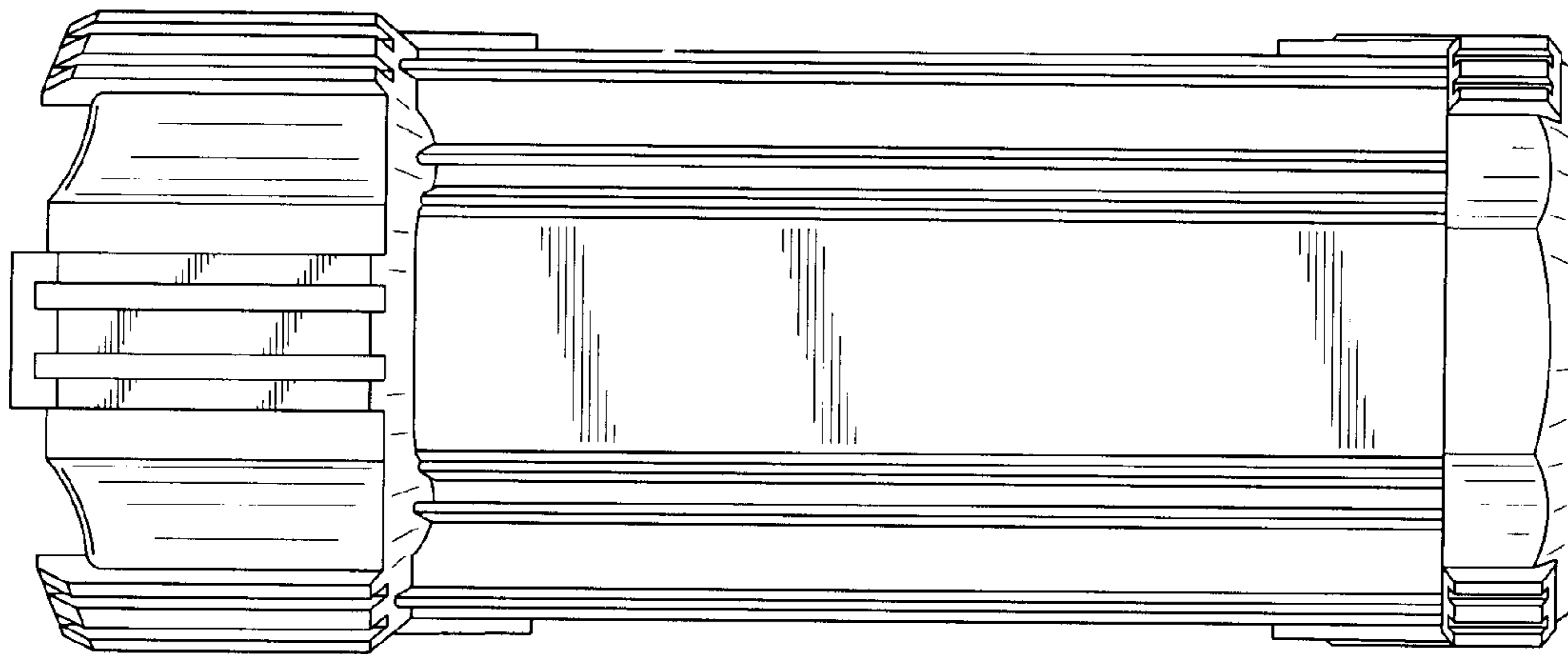


Fig. 7

