



US00D504531S

(12) **United States Design Patent**
Bhavnani

(10) **Patent No.:** **US D504,531 S**

(45) **Date of Patent:** **** Apr. 26, 2005**

(54) **RECHARGEABLE LIGHT**

(75) **Inventor:** **Dilip Bhavnani**, Beverly Hills, CA
(US)

(73) **Assignee:** **Sun Coast Merchandise Corp.**,
Commerce, CA (US)

(**) **Term:** **14 Years**

(21) **Appl. No.:** **29/213,735**

(22) **Filed:** **Sep. 21, 2004**

(51) **LOC (7) Cl.** **26-02**

(52) **U.S. Cl.** **D26/38**

(58) **Field of Search** D26/37-50; 362/157,
362/158, 171-174, 183-208

(56) **References Cited**

U.S. PATENT DOCUMENTS

D485,925 S * 1/2004 Oas D26/38

D496,480 S * 9/2004 Slattery et al. D26/38

* cited by examiner

Primary Examiner—Marcus A. Jackson

(74) *Attorney, Agent, or Firm*—Brian M. Carpenter

(57) **CLAIM**

The ornamental design for a rechargeable light, as shown and described.

DESCRIPTION

FIG. 1 is an exploded top front perspective view of a rechargeable light;

FIG. 2 is an exploded front elevation view of the rechargeable light of FIG. 1;

FIG. 3 is an exploded side elevation view of the rechargeable light of FIG. 1;

FIG. 4 is an exploded top plan view of the rechargeable light of FIG. 1;

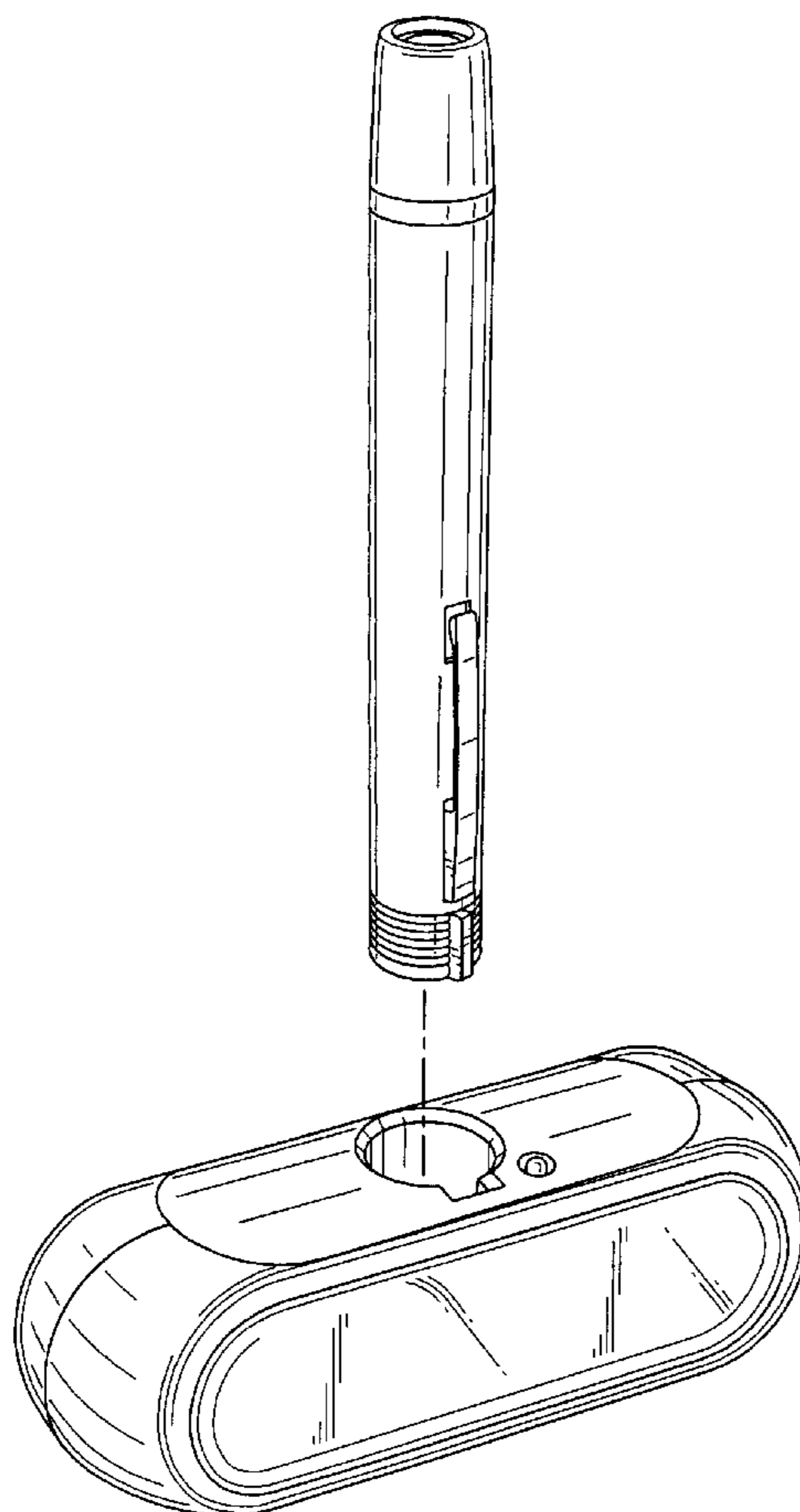
FIG. 5 is an exploded bottom plan view of the rechargeable light of FIG. 1;

FIG. 6 is an exploded back elevation view of the radio of FIG. 1;

FIG. 7 is a top front perspective view thereof; and,

FIG. 8 is an Exploded top front perspective view of an alternate embodiment of a rechargeable light of FIG. 1, wherein the only difference resides in the double rechargeable pack.

1 Claim, 4 Drawing Sheets



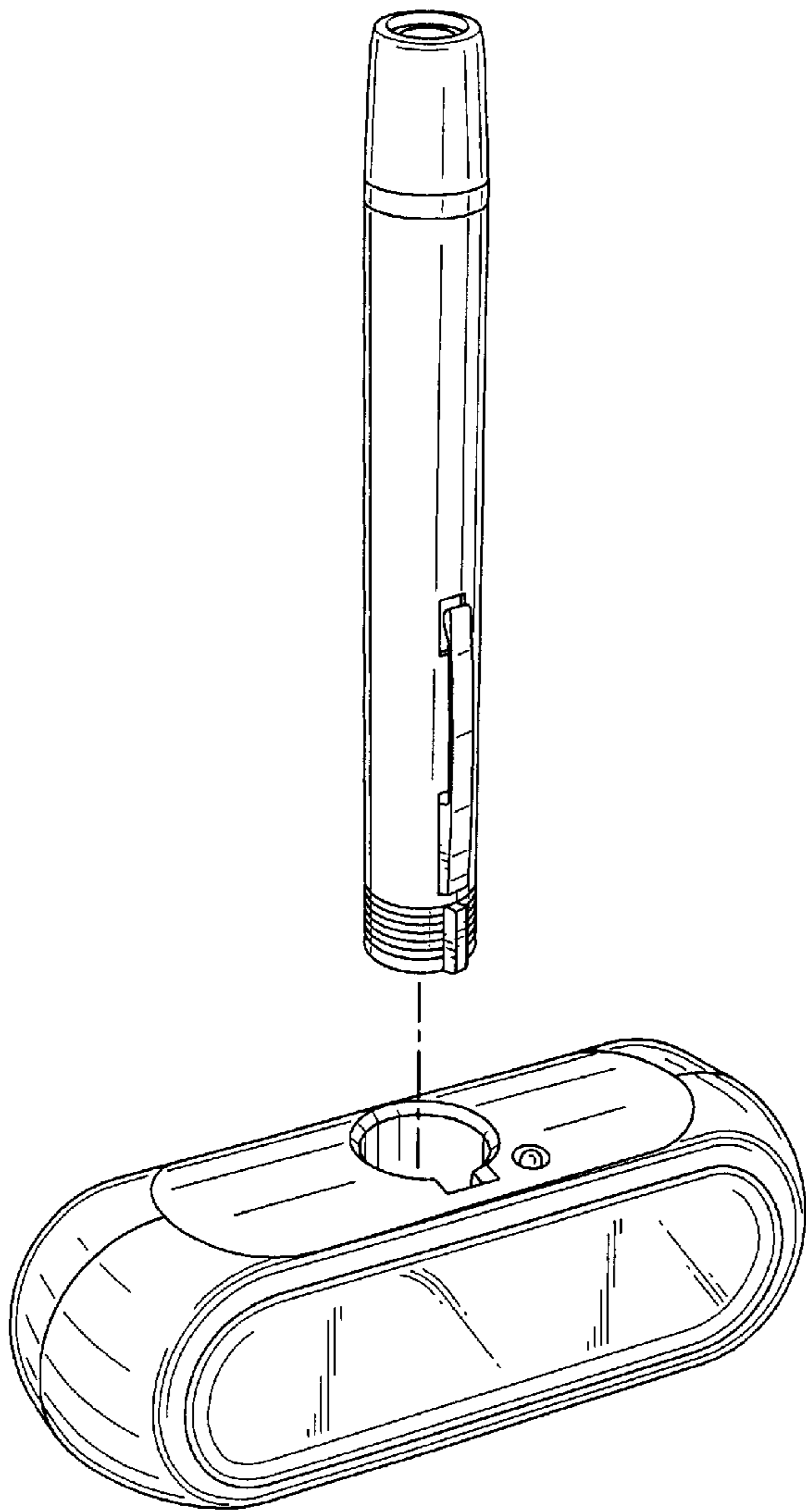


FIG. 1

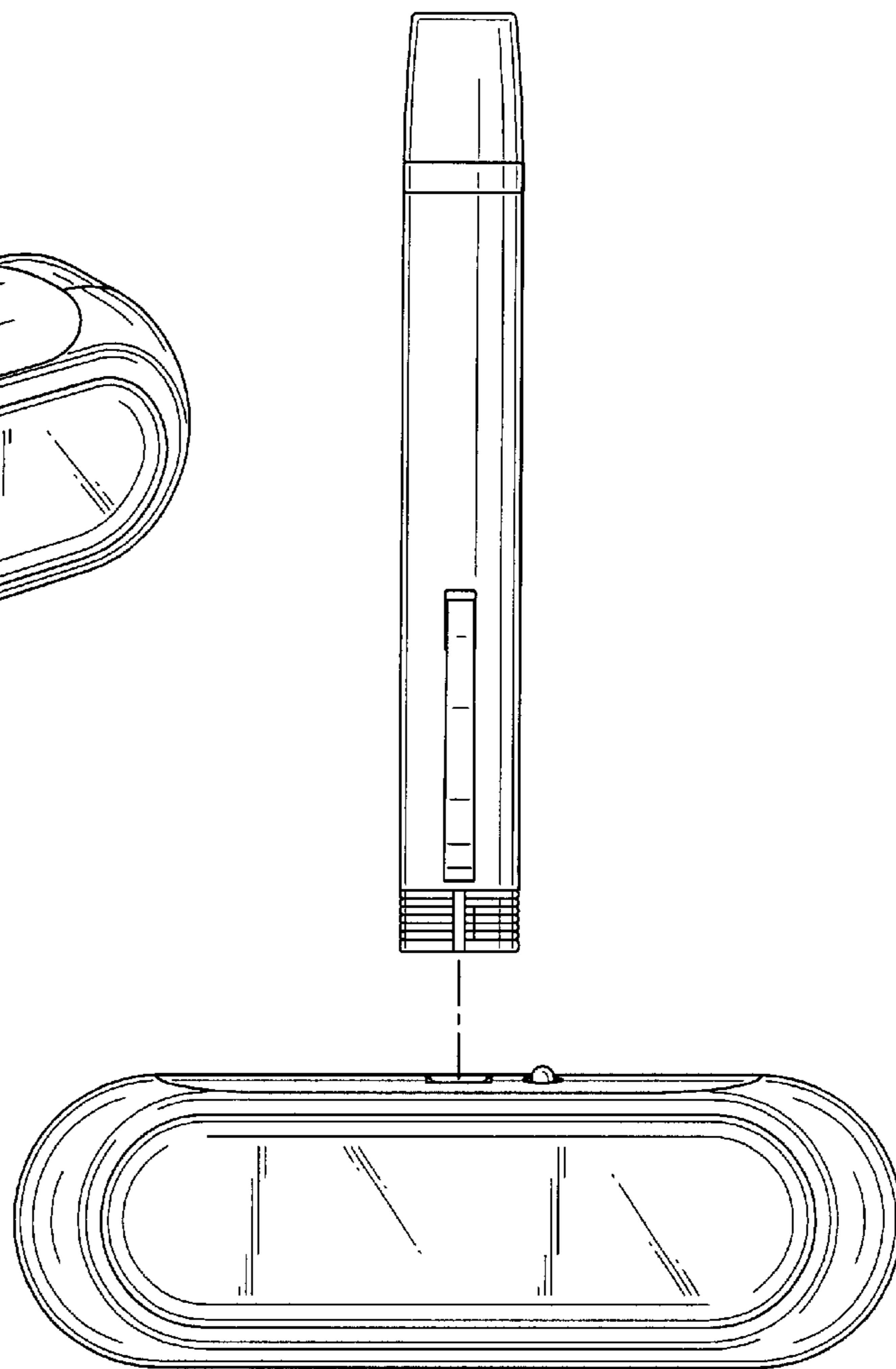


FIG. 2

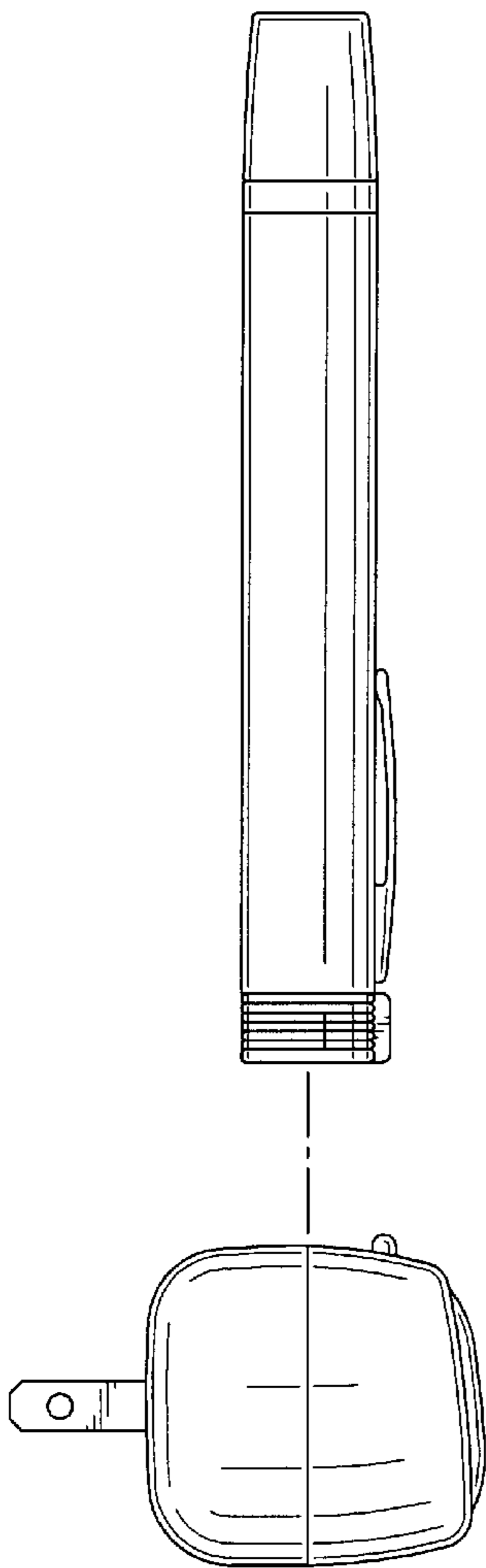


FIG. 3

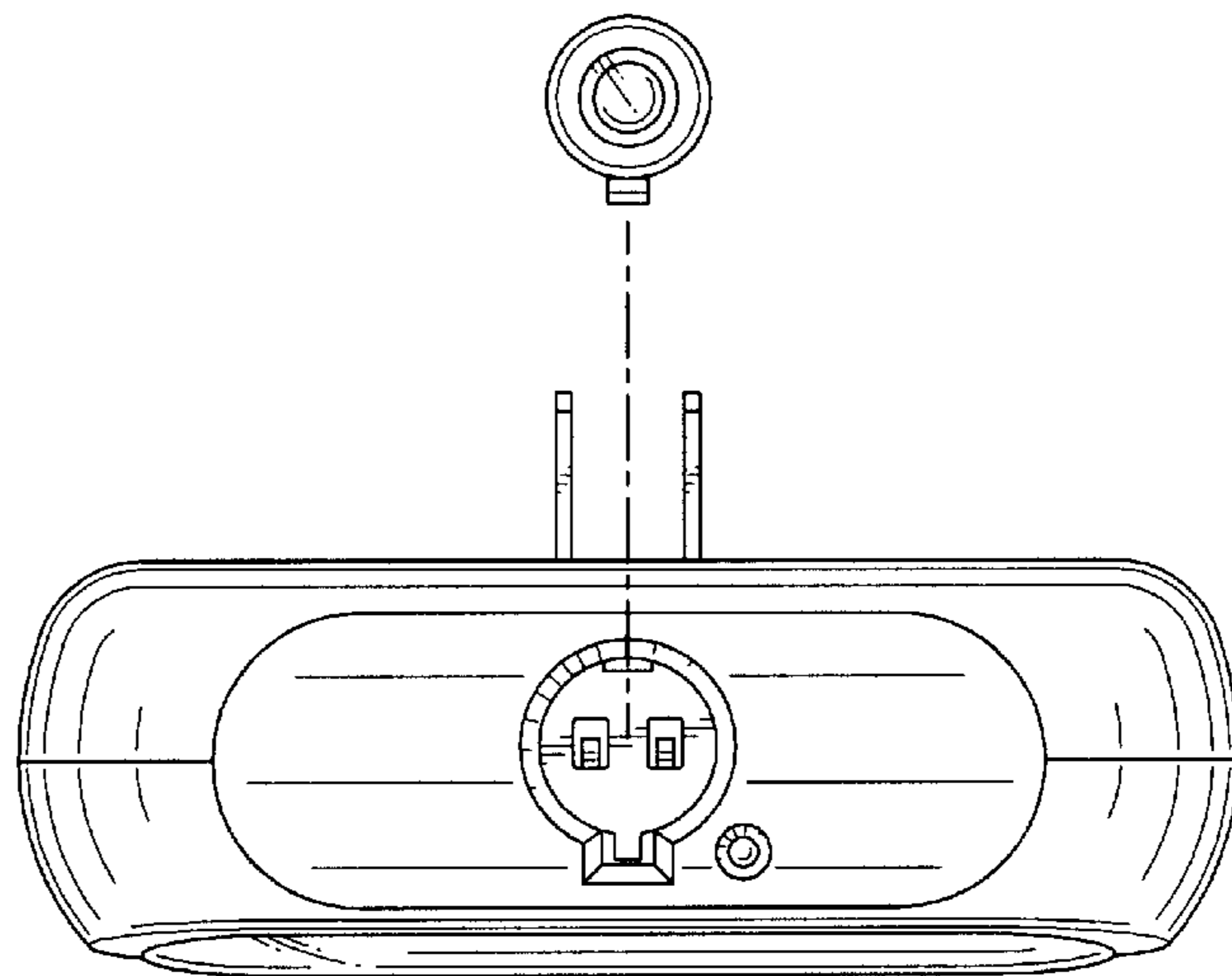
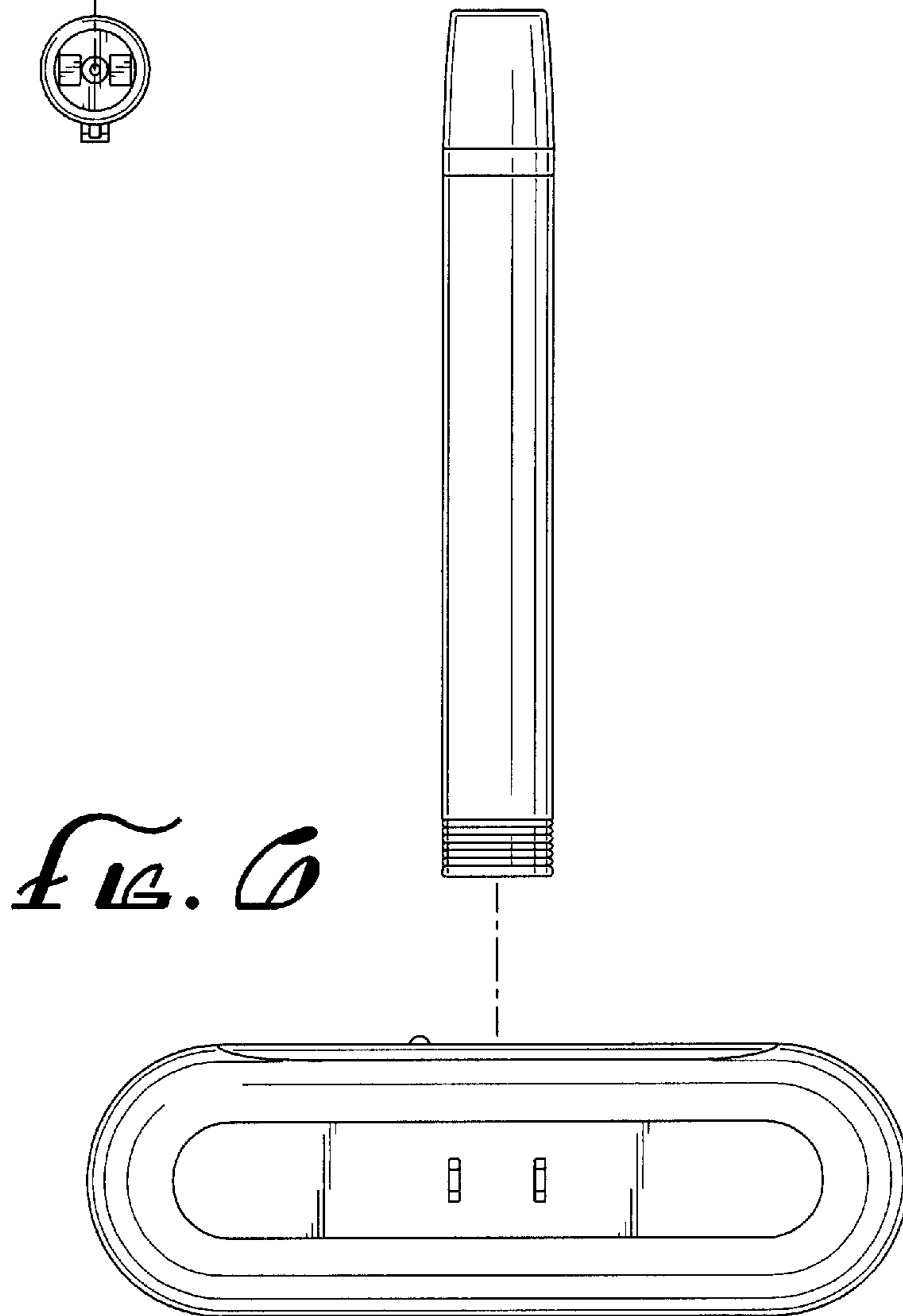
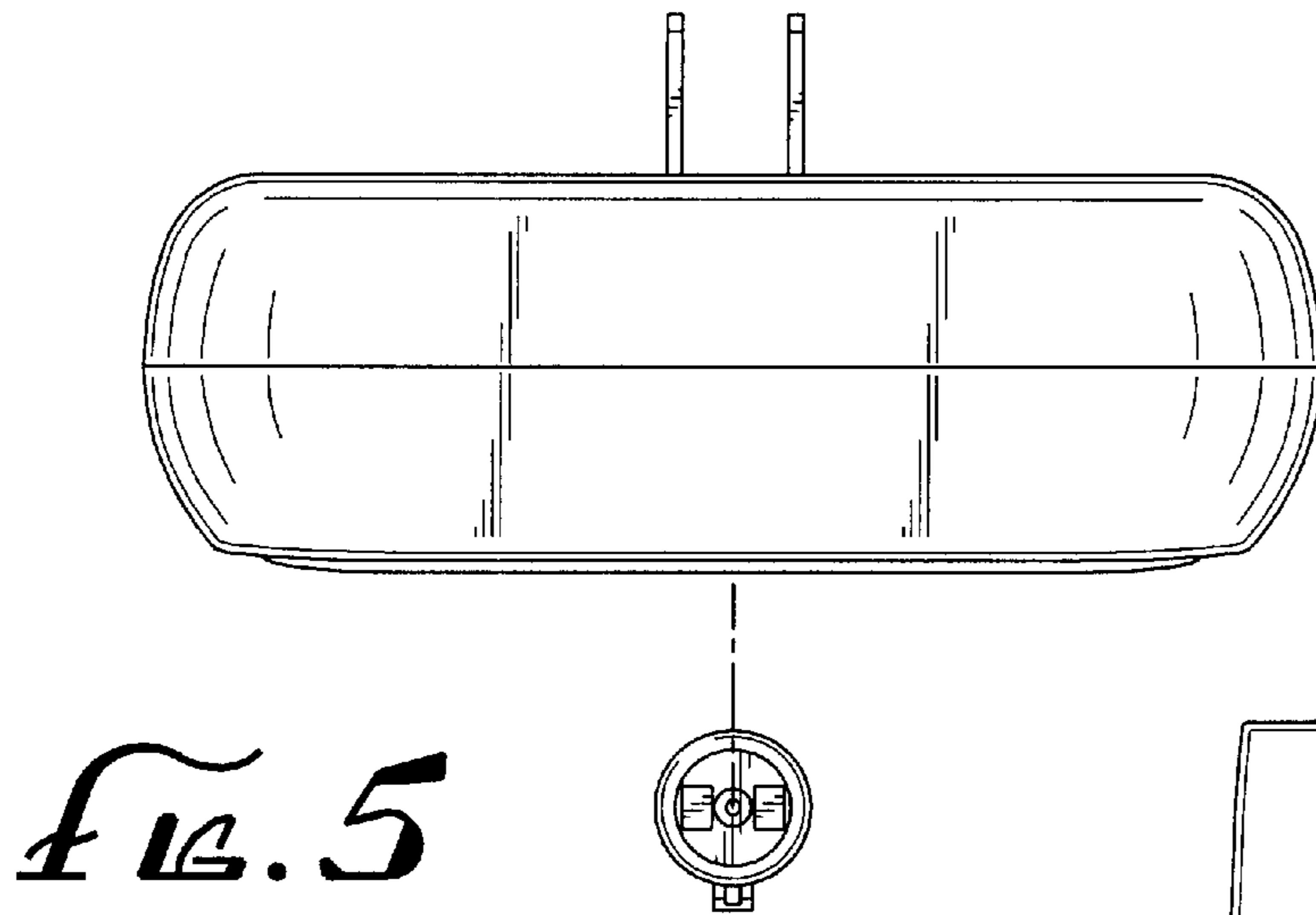


FIG. 4



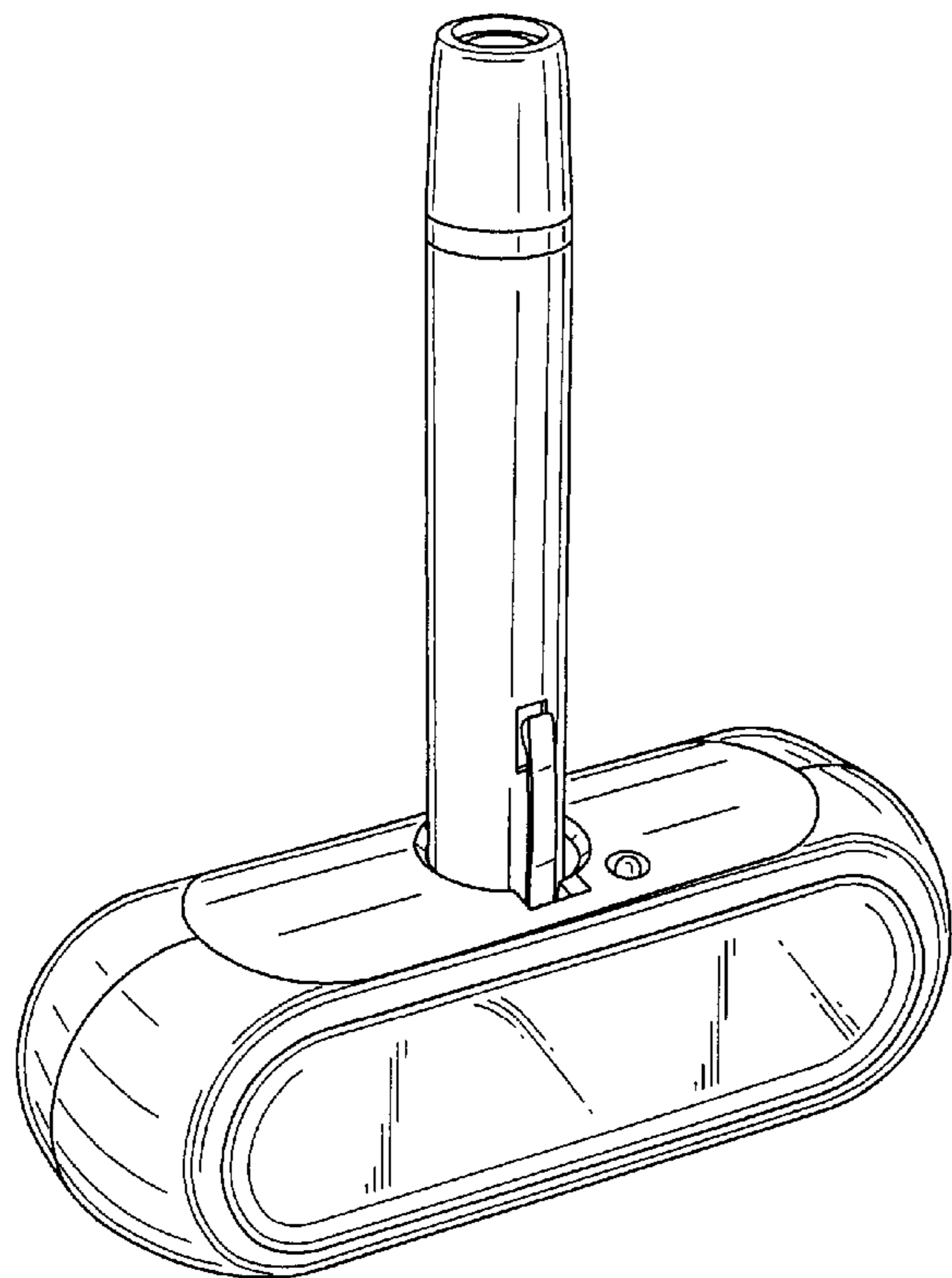


FIG. 7

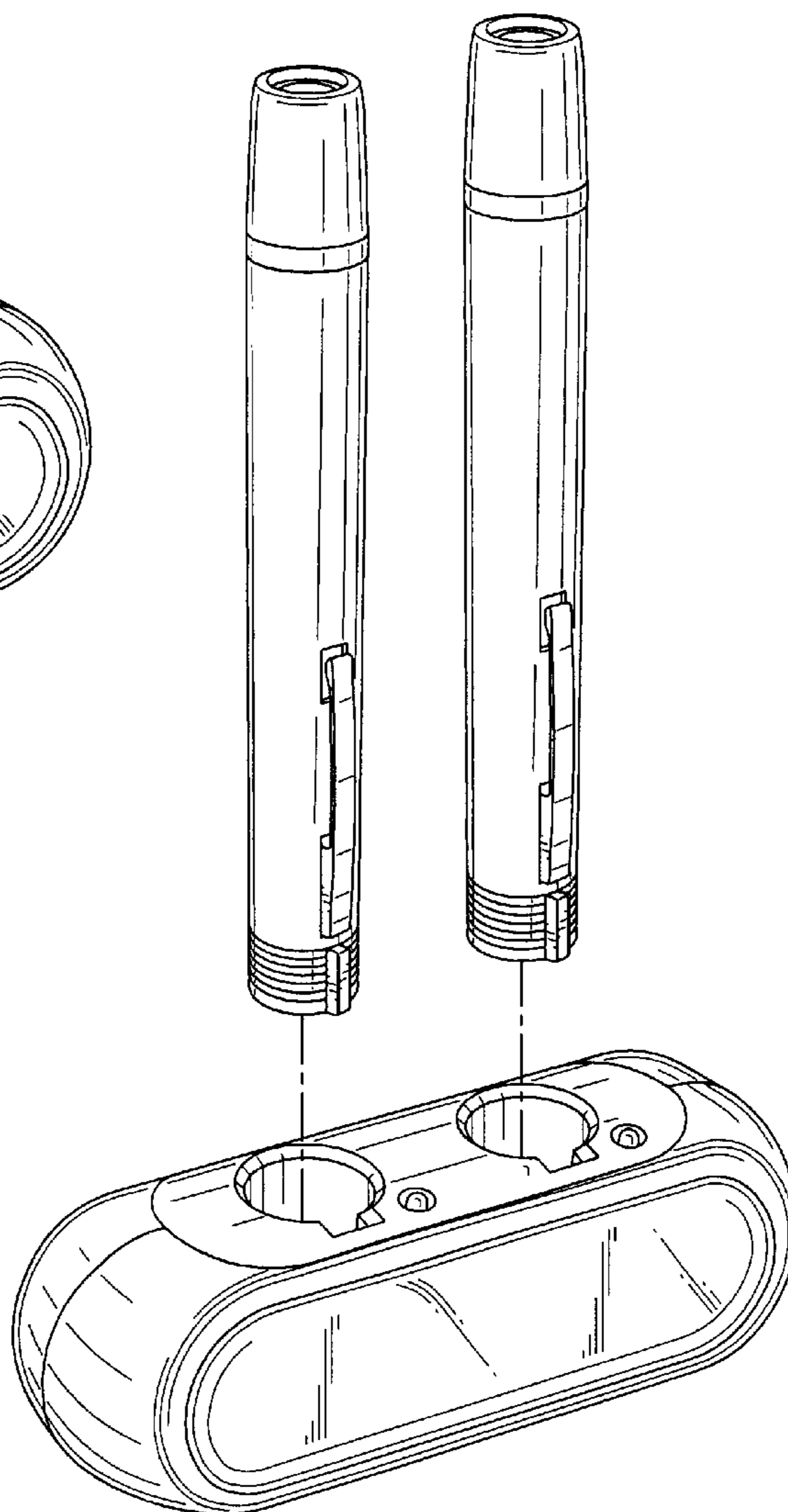


FIG. 8