

US00D504528S

(12) **United States Design Patent** (10) **Patent No.:** **US D504,528 S**
Everitt et al. (45) **Date of Patent:** **** Apr. 26, 2005**

(54) **TAIL LIGHT ASSEMBLY FOR A MOTORCYCLE**

(75) Inventors: **Stephen Everitt**, London (GB); **Clive Kilford**, London (GB); **Nicholas Carpenter**, London (GB)

(73) Assignee: **Brumby Corporation Ltd.**, Isle of Man (VG)

(**) Term: **14 Years**

(21) Appl. No.: **29/172,099**

(22) Filed: **Dec. 6, 2002**

(51) **LOC (7) Cl.** **26-06**

(52) **U.S. Cl.** **D26/28**

(58) **Field of Search** D26/28-36; 362/459-468, 362/475-478, 485-487

(56) **References Cited**

U.S. PATENT DOCUMENTS

- D422,721 S * 4/2000 Reed D26/28
- D423,126 S * 4/2000 Doss D26/28
- D498,012 S * 11/2004 Ballentine D26/28

* cited by examiner

Primary Examiner—Marcus A. Jackson

(74) *Attorney, Agent, or Firm*—Banner & Witcoff Ltd.

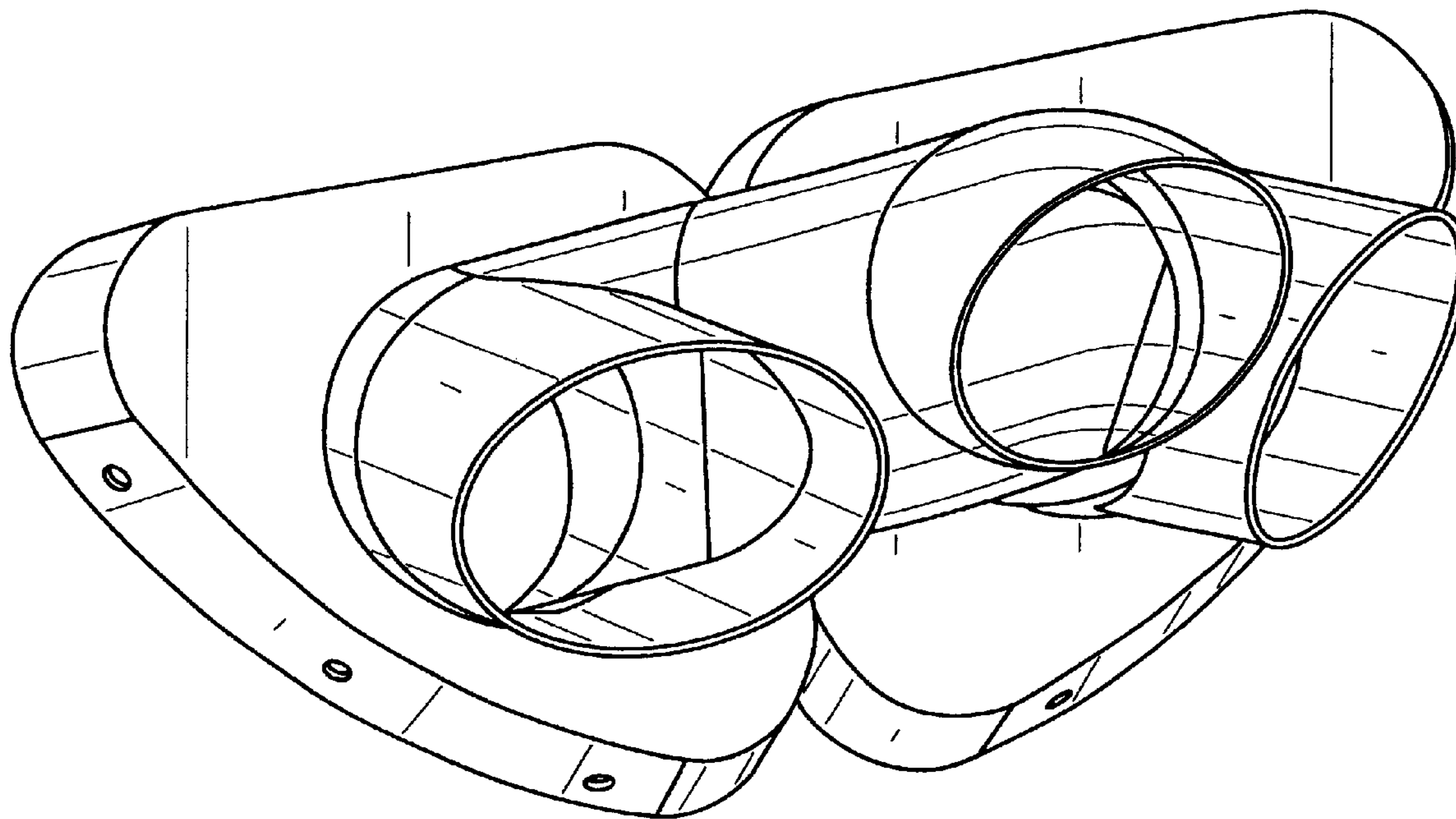
(57) **CLAIM**

The ornamental design for a tail light assembly for a motorcycle, as shown and described.

DESCRIPTION

FIG. 1 is a side elevational view of one side of a tail light assembly for a motorcycle showing our new design, the opposite side view being a mirror image thereof;
 FIG. 2 is a top plan view thereof;
 FIG. 3 is a bottom plan view thereof;
 FIG. 4 is a front elevational view thereof;
 FIG. 5 is a rear elevational view thereof;
 FIG. 6 is a front perspective view thereof;
 FIG. 7 is a rear perspective view thereof;
 FIG. 8 is a side elevational view thereof shown assembled on a motorcycle;
 FIG. 9 is a top plan view thereof shown assembled on a motorcycle;
 FIG. 10 is a rear elevational view thereof shown assembled on a motorcycle; and,
 FIG. 11 is a rear perspective view thereof shown assembled on a motorcycle.
 The depiction of the remainder of the motorcycle in FIGS. 8-11 is for illustrative purposes only and forms no part of the claimed design.

1 Claim, 11 Drawing Sheets



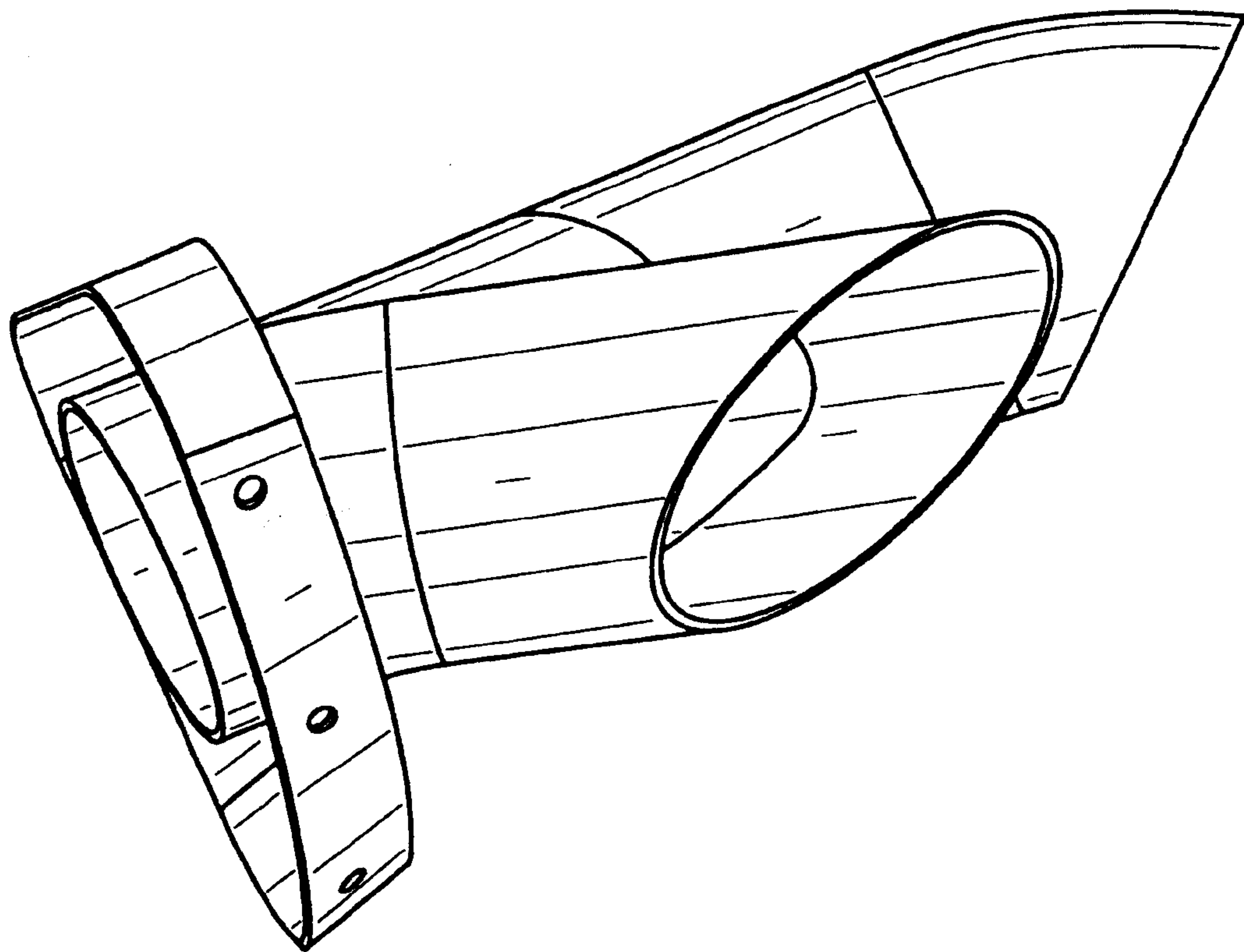


FIG. 1

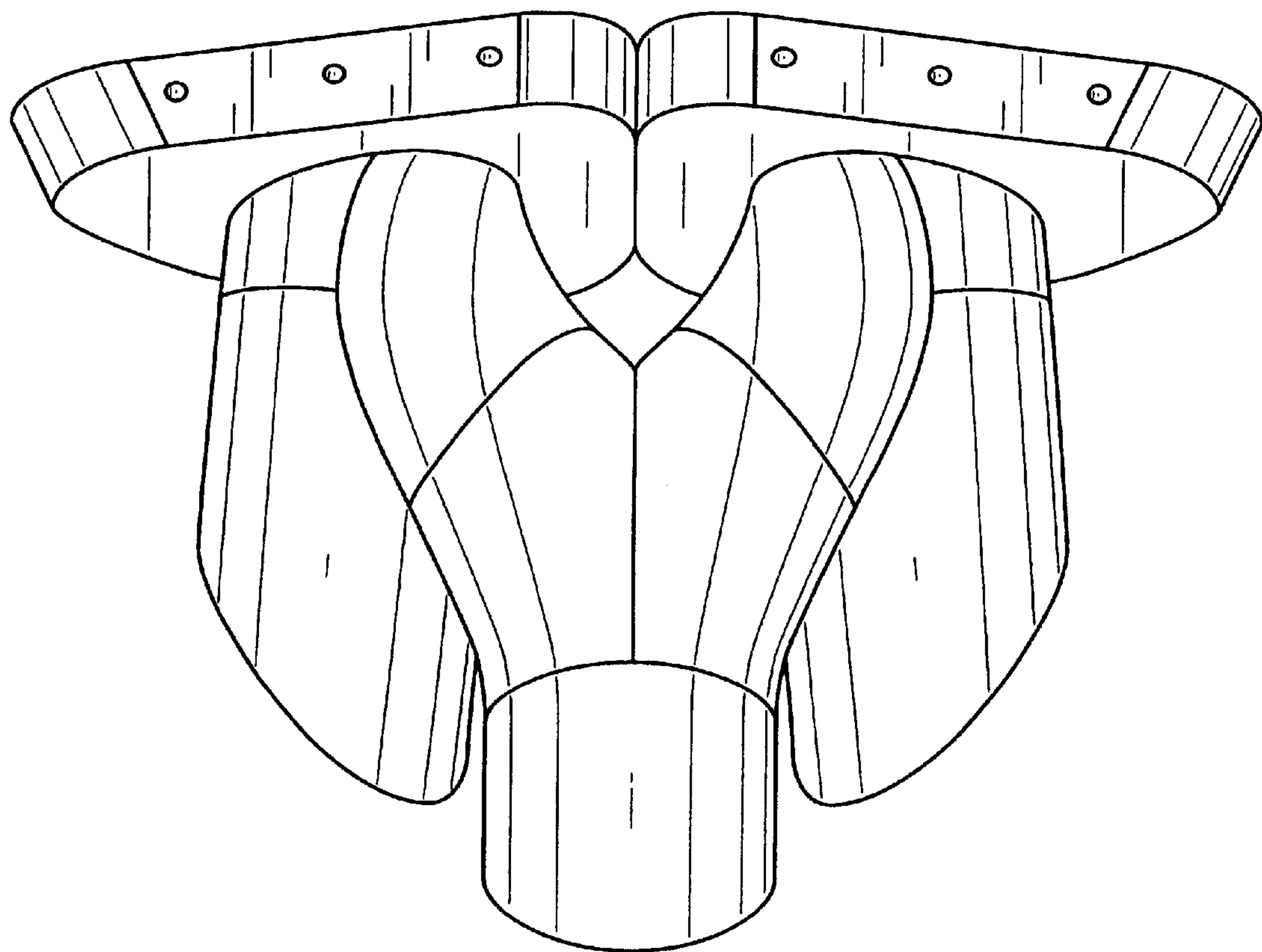


FIG. 2

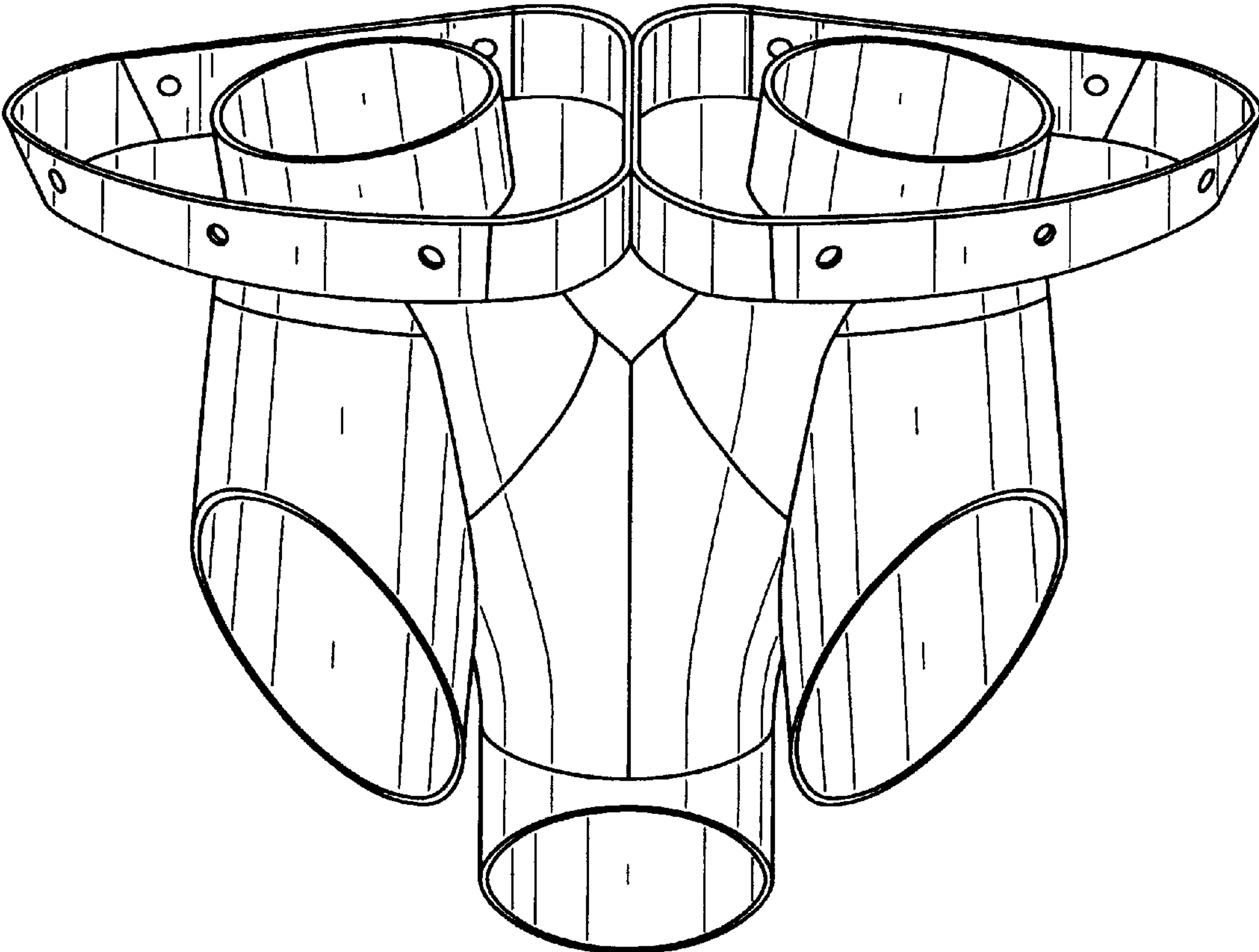


FIG. 3

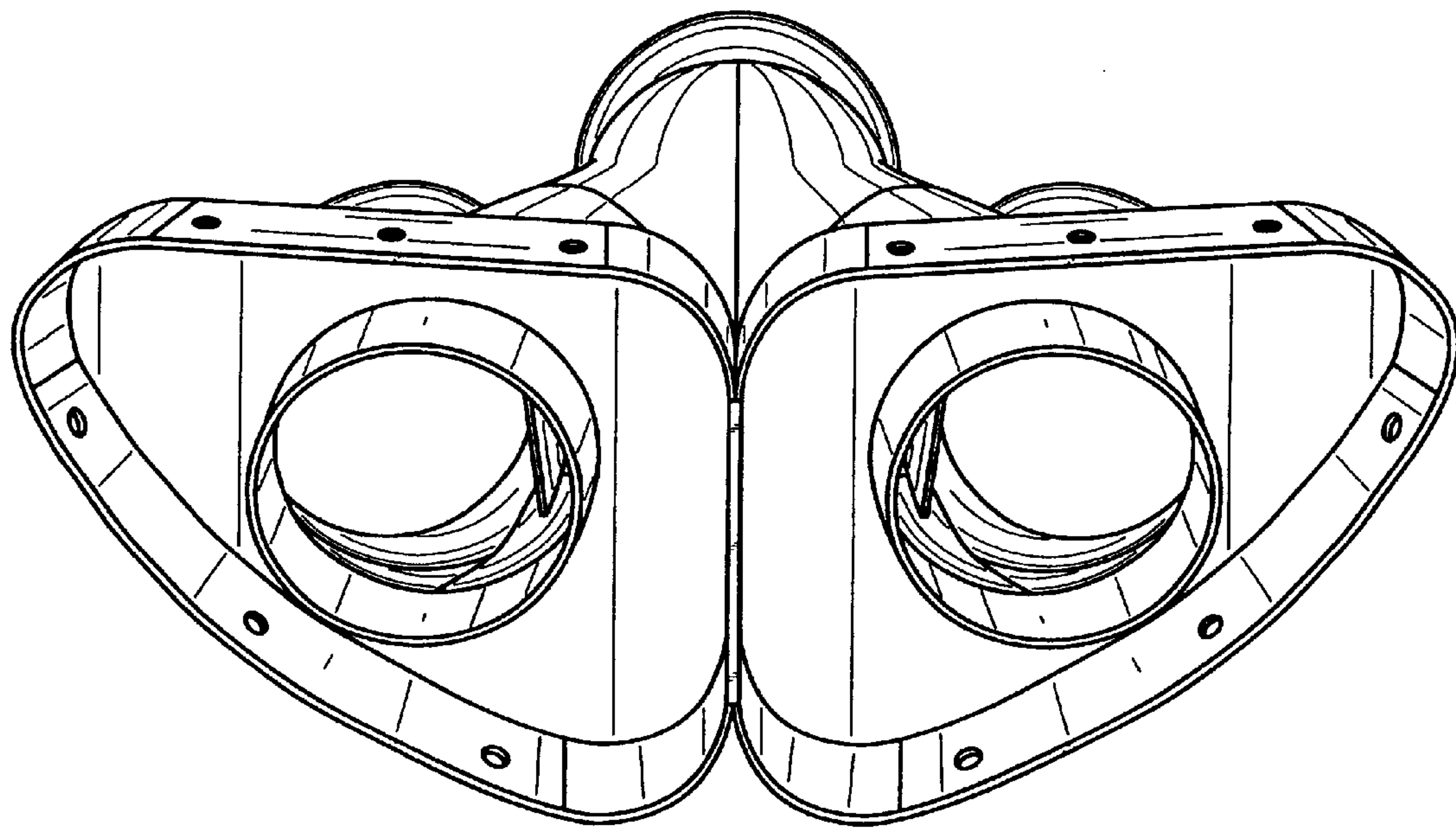


FIG. 4

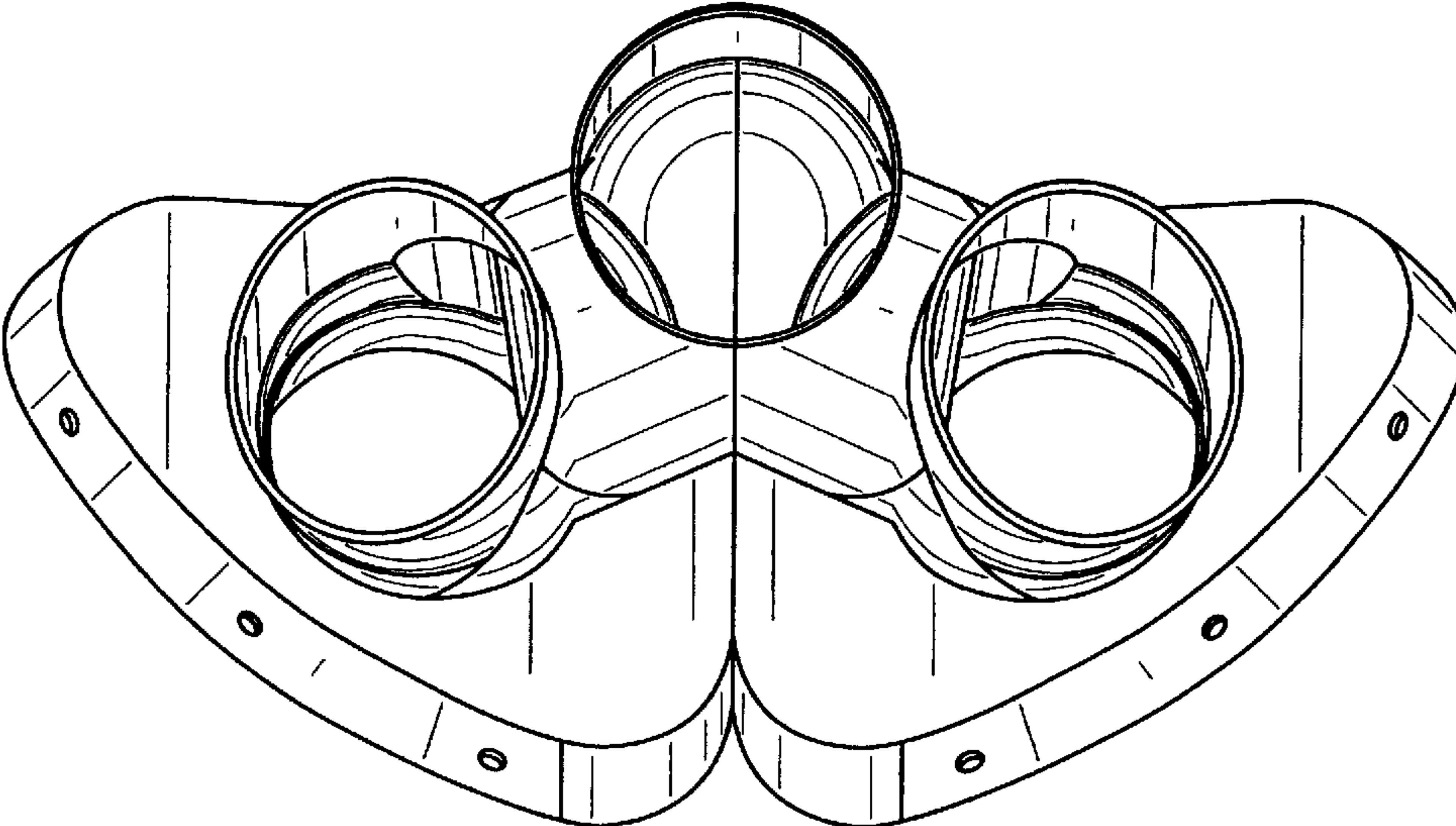


FIG. 5

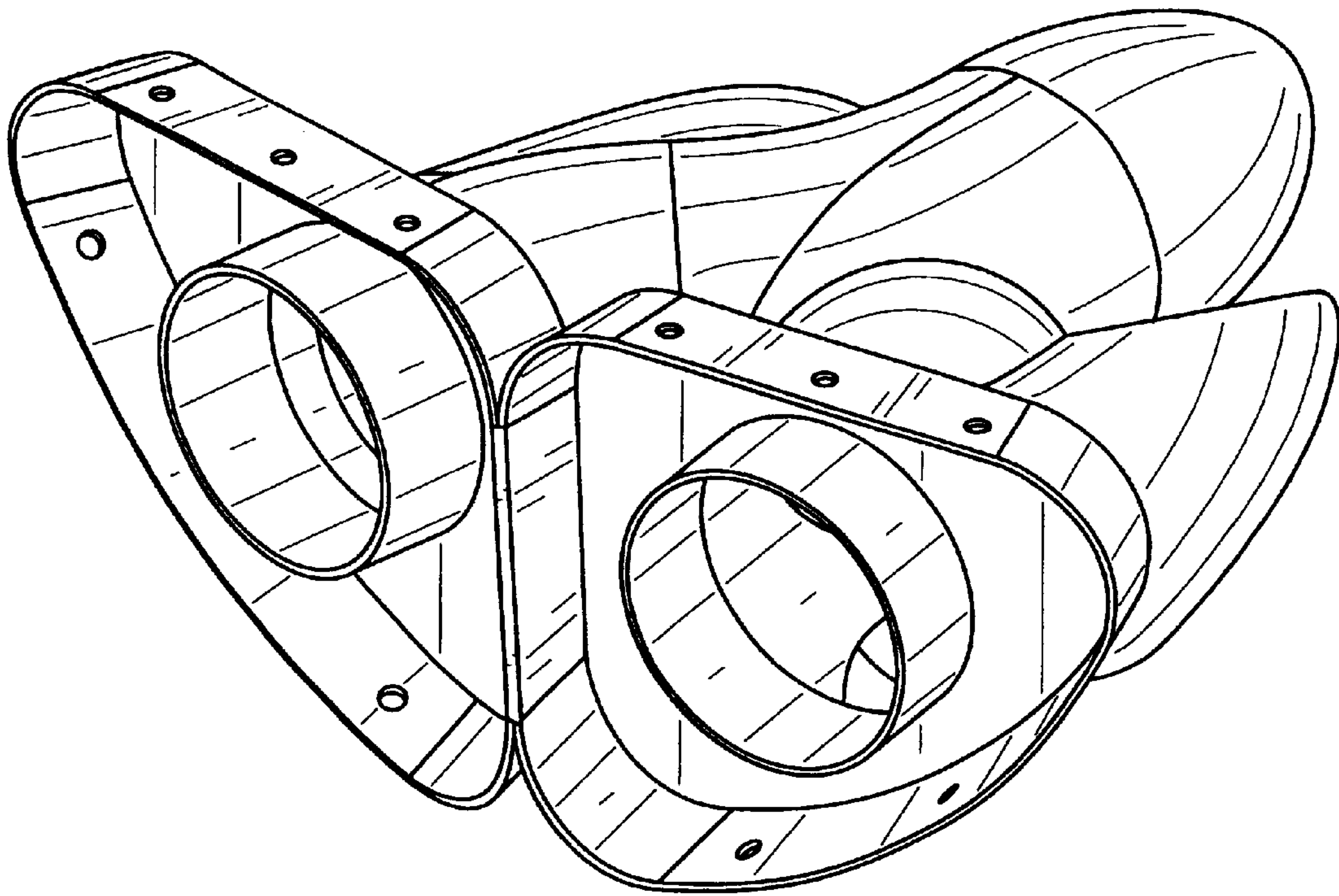


FIG. 6

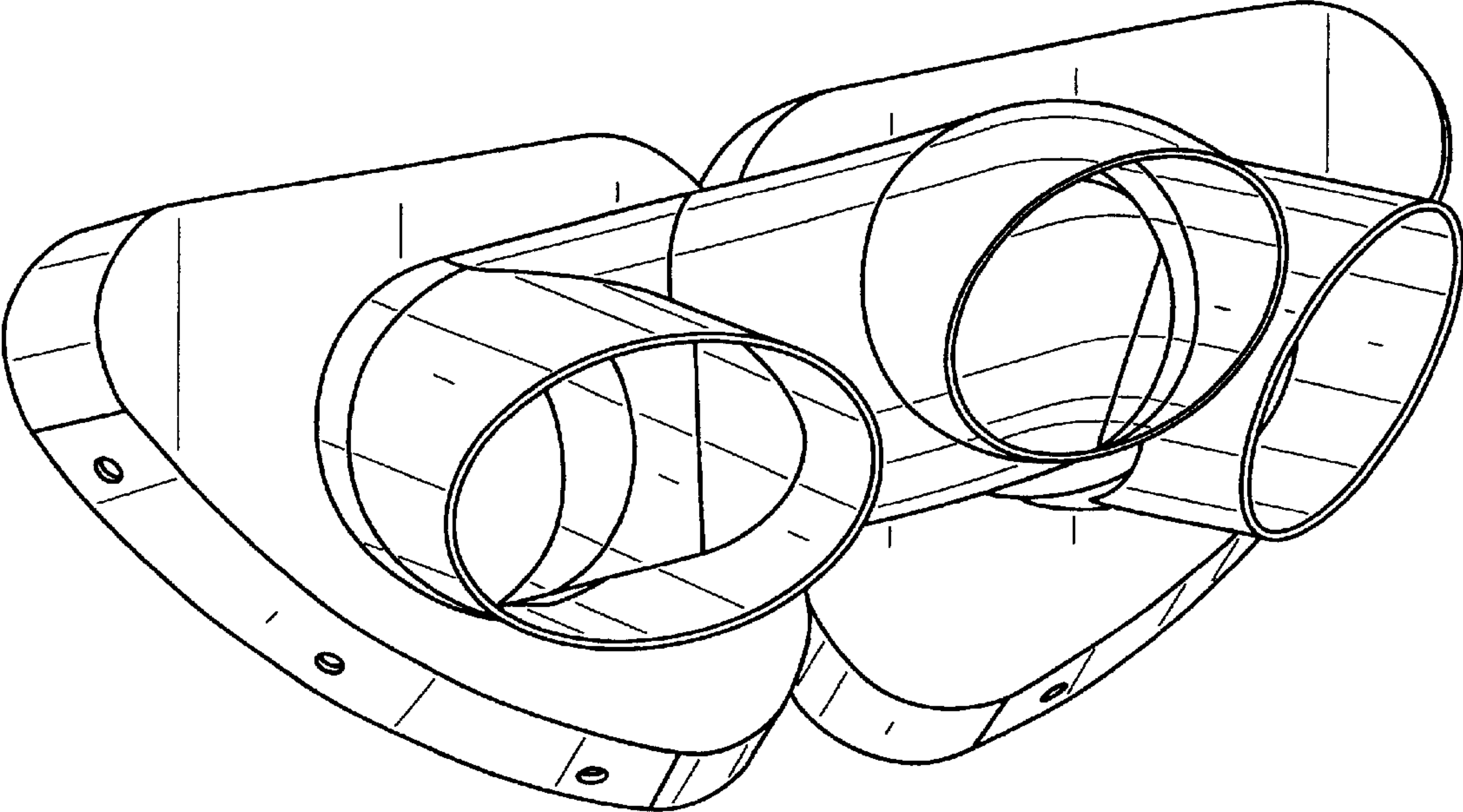


FIG. 7

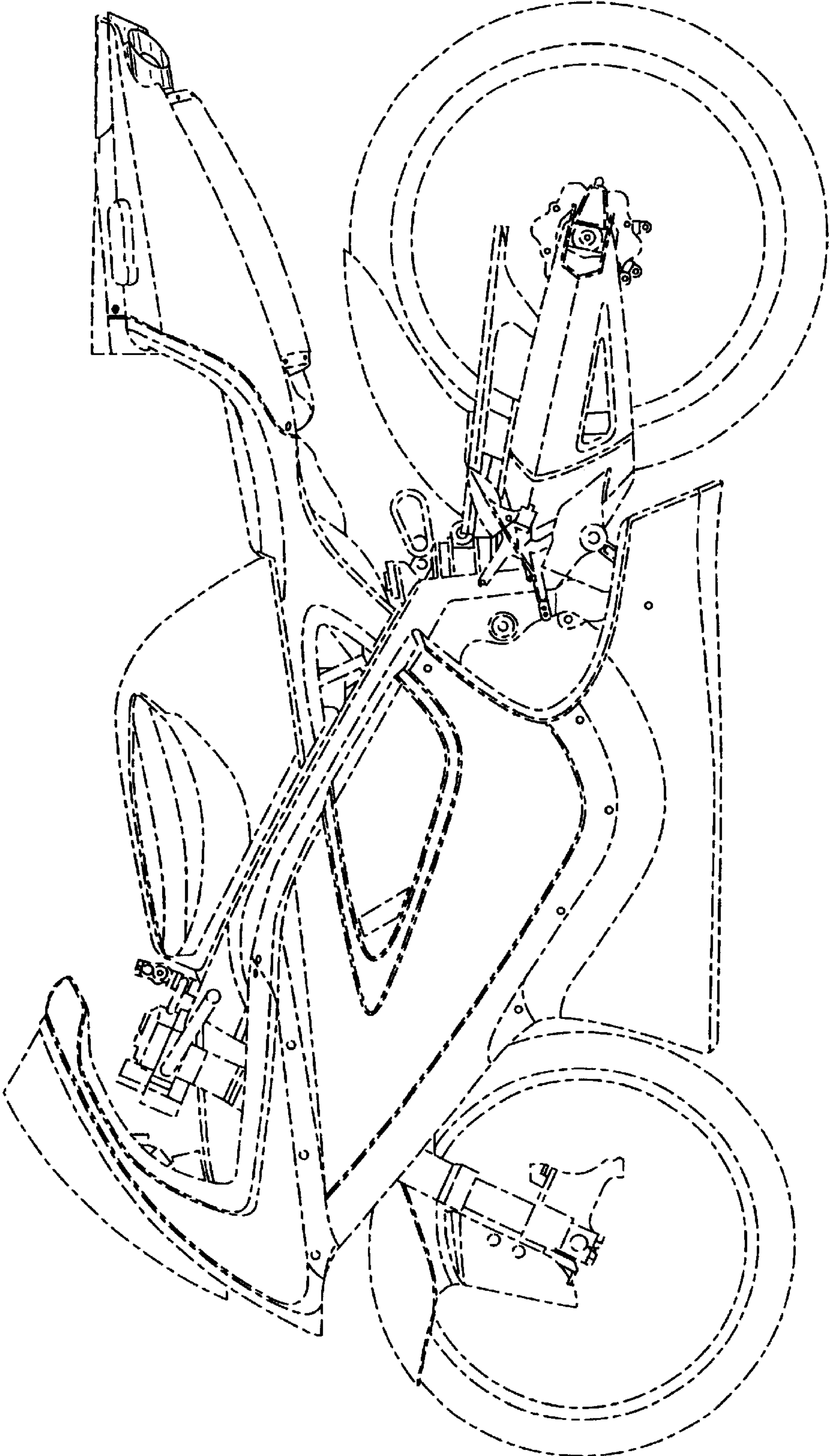


FIG. 8

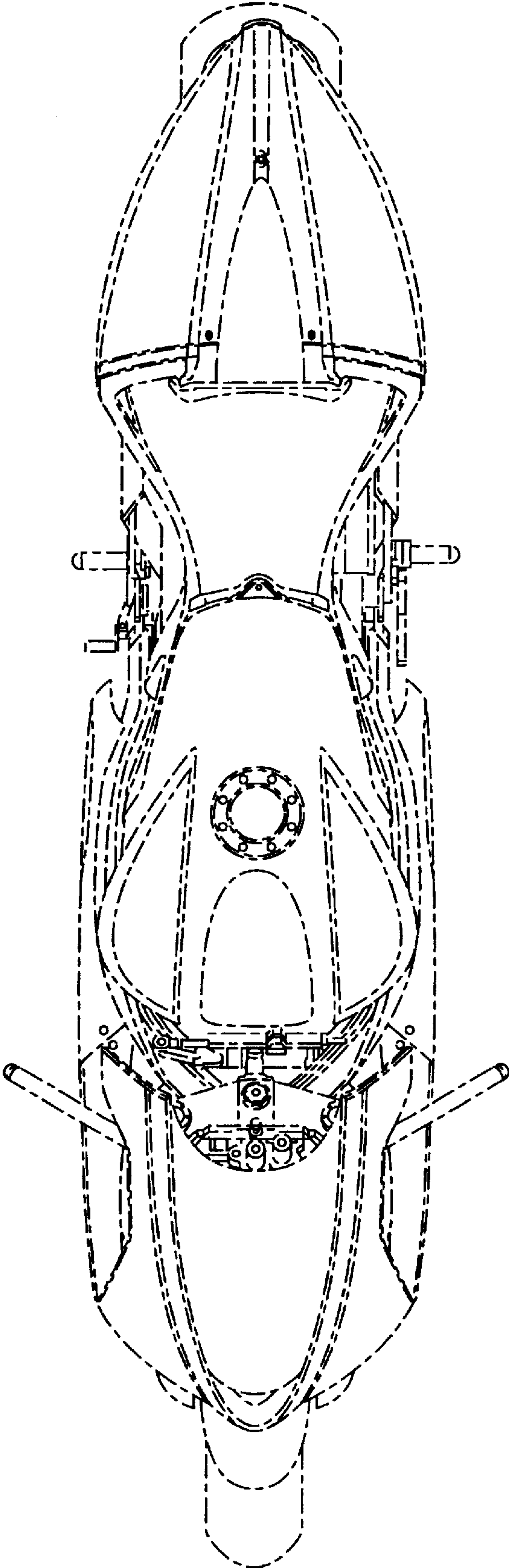


FIG. 9

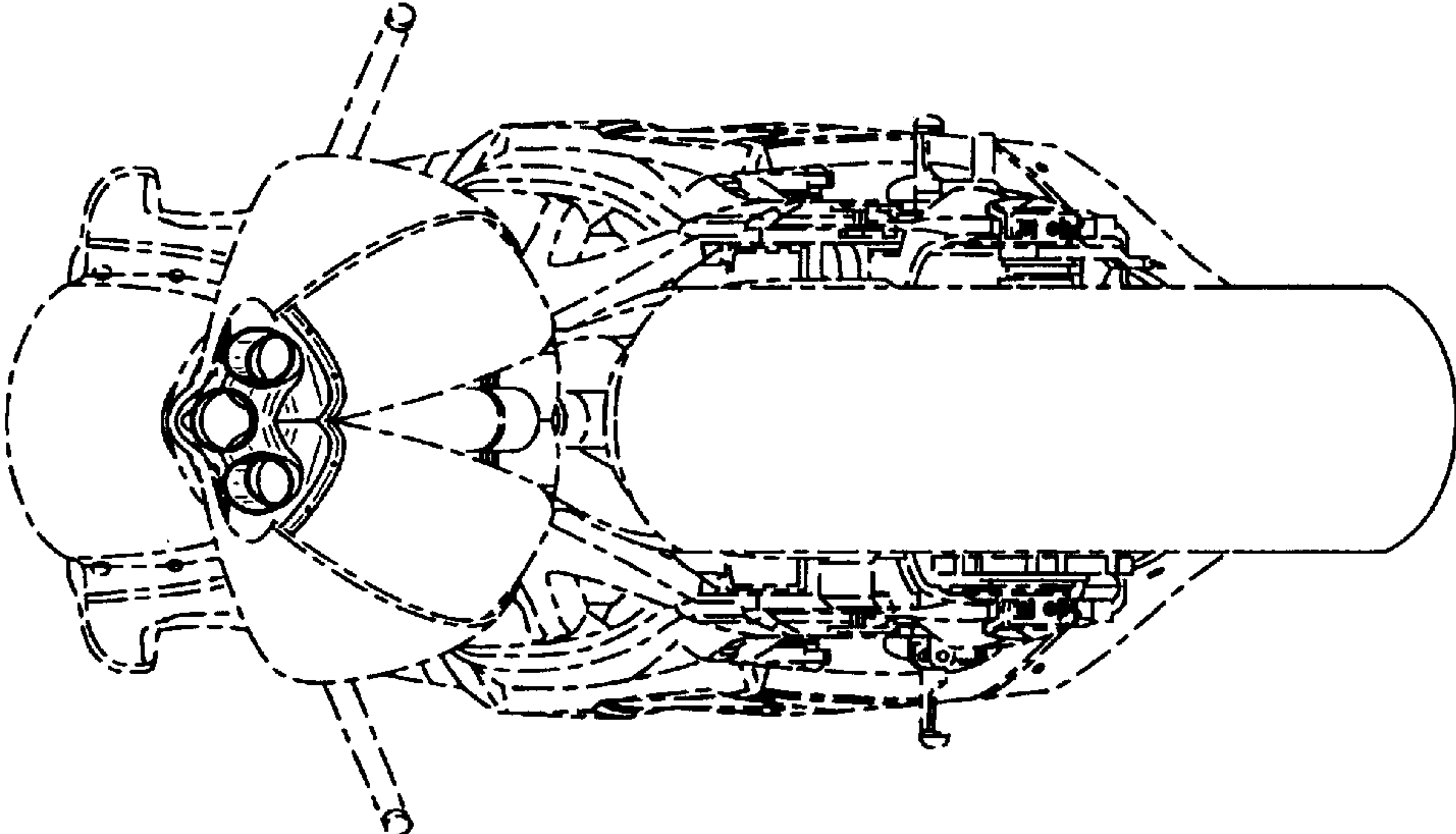


FIG. 10

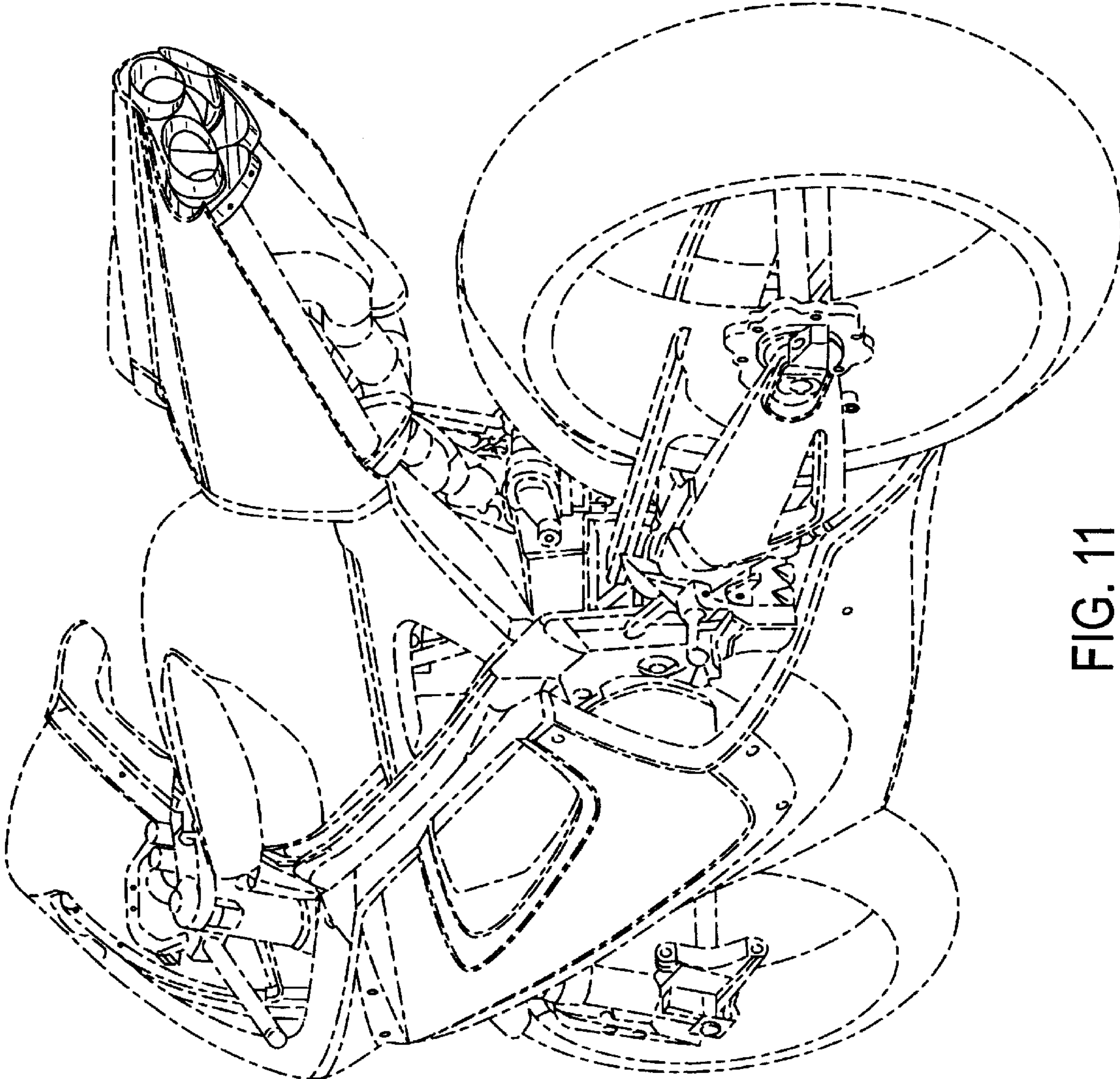


FIG. 11