

US00D504526S

(12) **United States Design Patent** (10) **Patent No.:** **US D504,526 S**
Perkins et al. (45) **Date of Patent:** **** Apr. 26, 2005**

(54) **SLOT TRACK**

(75) Inventors: **Travis Michael Perkins**, Evansville, IN (US); **Brian Joseph Stewart**, Vincennes, IN (US); **Todd Christopher Starr**, St. Joseph, MI (US); **Wyatt Alan Cline**, Niles, MI (US)

(73) Assignee: **Whirlpool Corporation**, Benton Harbor, MI (US)

(**) Term: **14 Years**

(21) Appl. No.: **29/207,691**

(22) Filed: **Jun. 17, 2004**

(51) **LOC (7) Cl.** **25-01**

(52) **U.S. Cl.** **D25/138**

(58) **Field of Search** 211/94.01; 52/36.5, 52/588; D25/138, 164

(56) **References Cited**

U.S. PATENT DOCUMENTS

6,119,878 A * 9/2000 Zen 211/94.01
D444,577 S * 7/2001 Neuhofer, Jr. D25/138

* cited by examiner

Primary Examiner—Doris Clark
(74) *Attorney, Agent, or Firm*—Stephen Krefman; Robert O. Rice; John F. Colligan

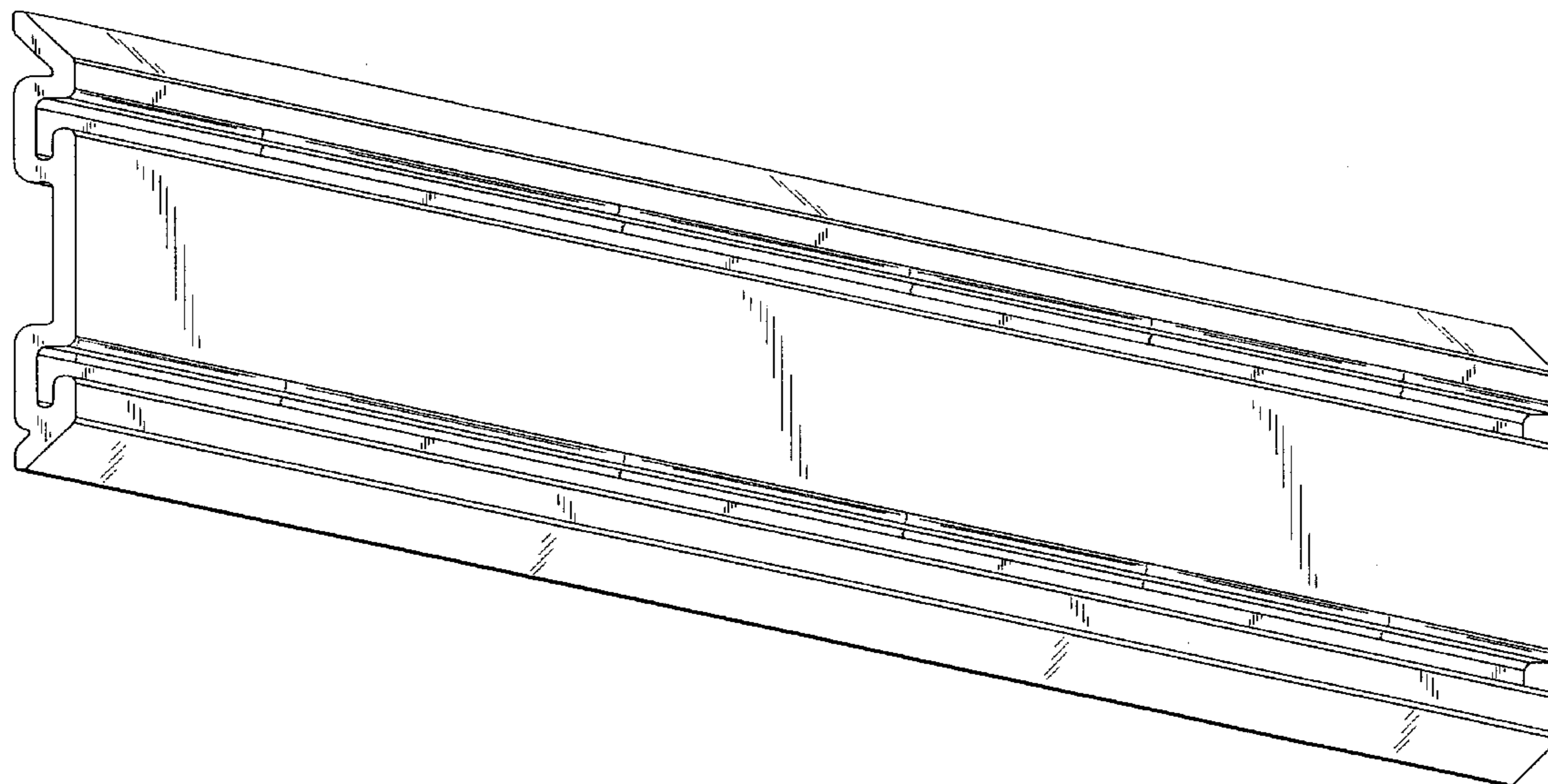
(57) **CLAIM**

The ornamental design for a slot track, as shown and described.

DESCRIPTION

FIG. 1 is a front perspective view of the design of the present invention;
FIG. 2 is a rear perspective view thereof;
FIG. 3 is a front view thereof;
FIG. 4 is an enlarged section of the front view of FIG. 3
FIG. 5 is back view thereof;
FIG. 6 is an enlarged section of the back view of FIG. 5;
FIG. 7 is a left side view thereof, the right side view being identical;
FIG. 8 is a top view thereof;
FIG. 9 is an enlarged section of the top view of FIG. 8;
FIG. 10 is a bottom view thereof, and;
FIG. 11 is an enlarged section of the bottom view of FIG. 10.

1 Claim, 7 Drawing Sheets



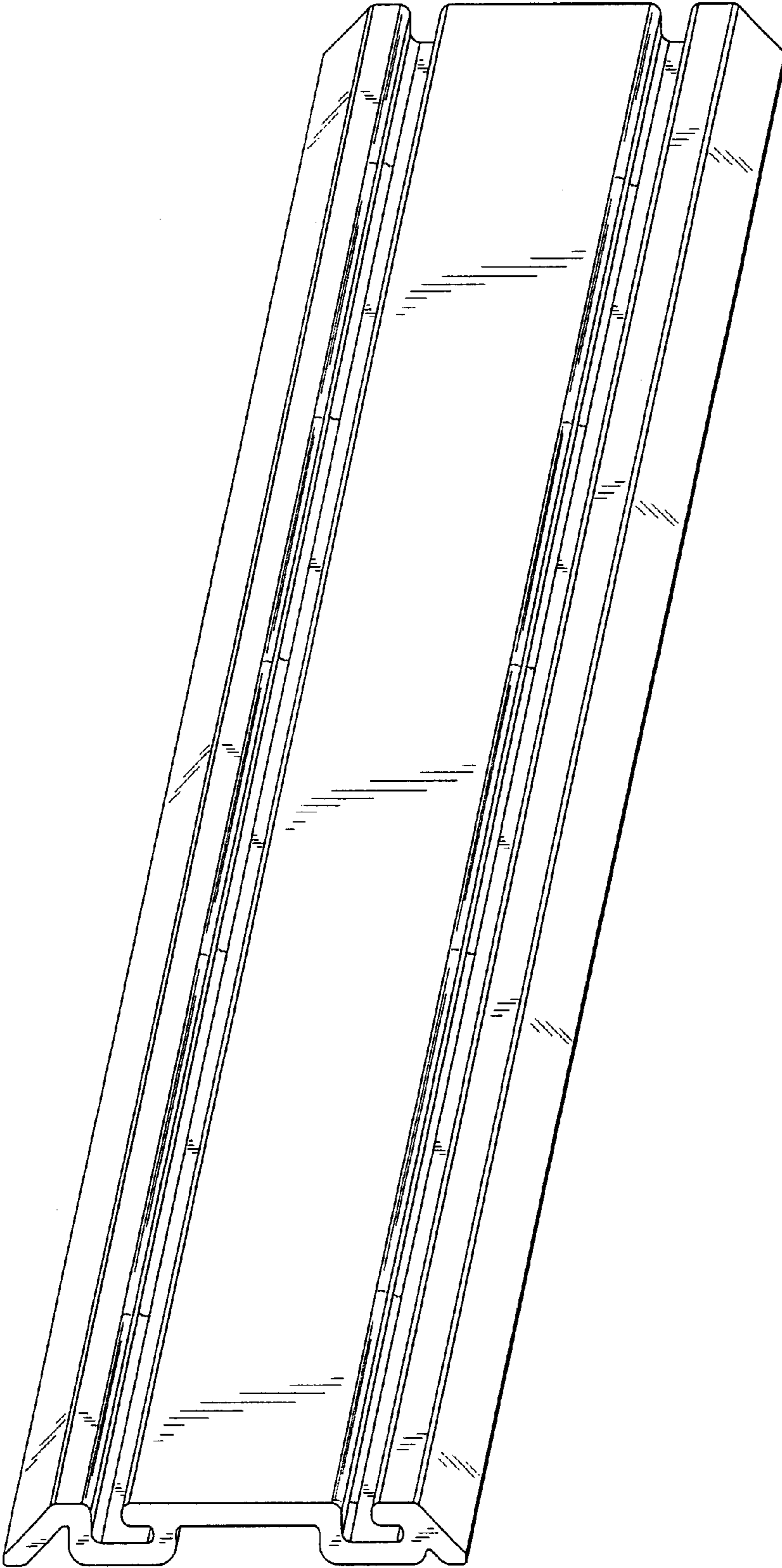


Fig. 1

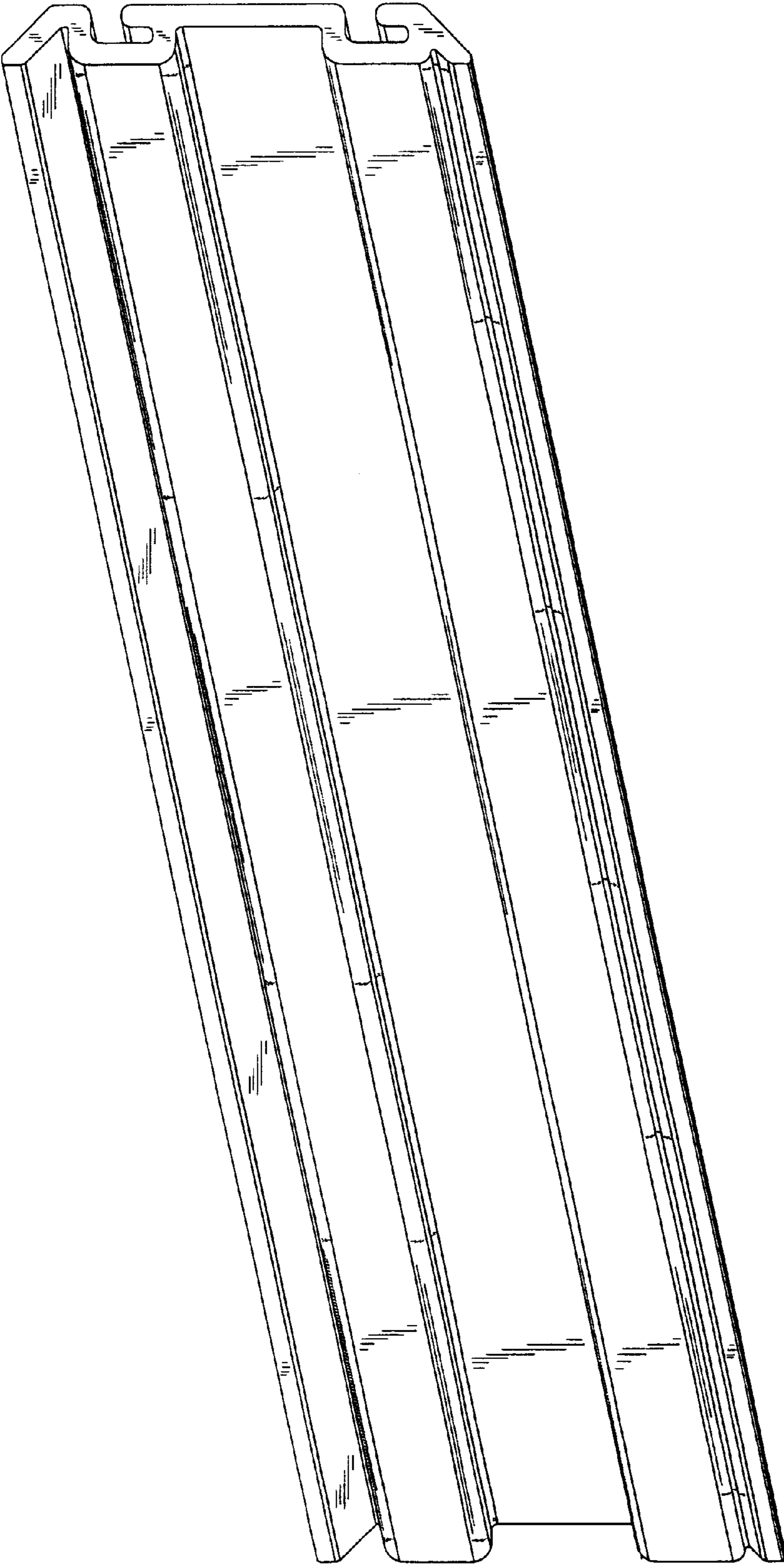


Fig. 2

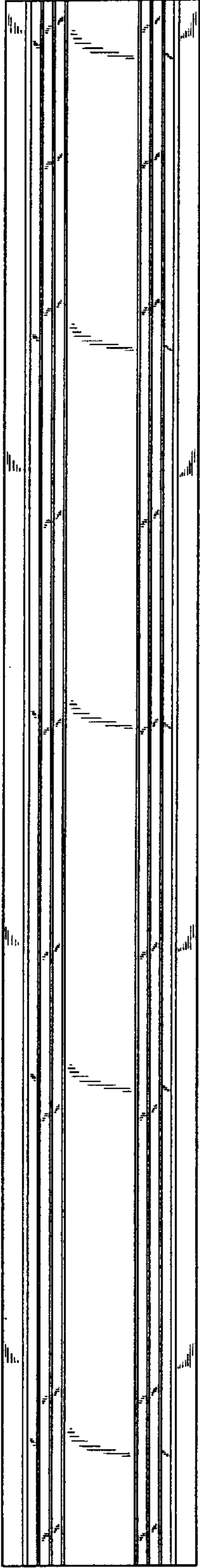


Fig. 3

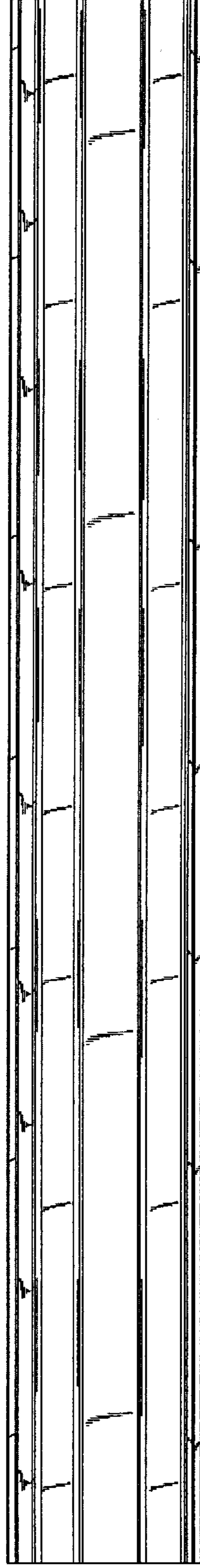


Fig. 5

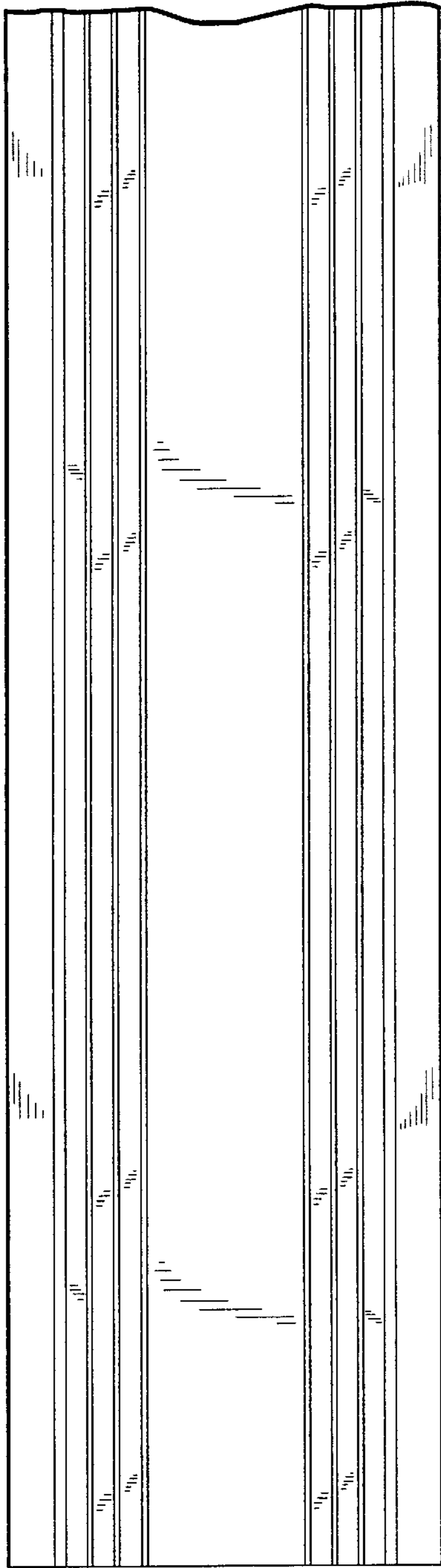


Fig. 4

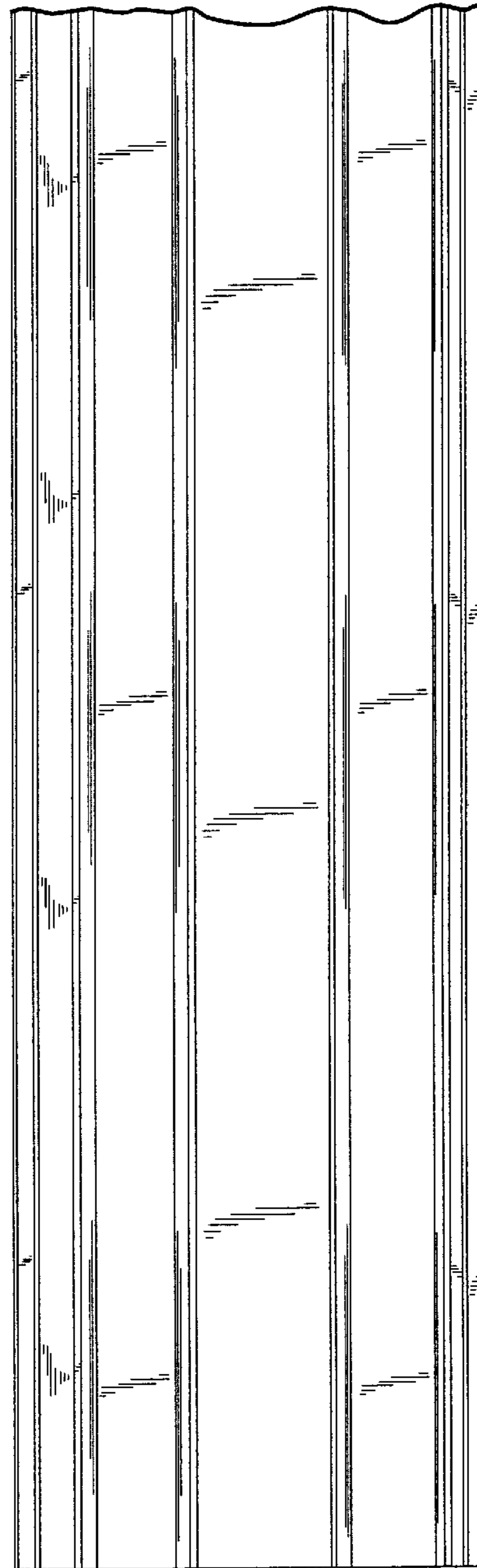


Fig. 6

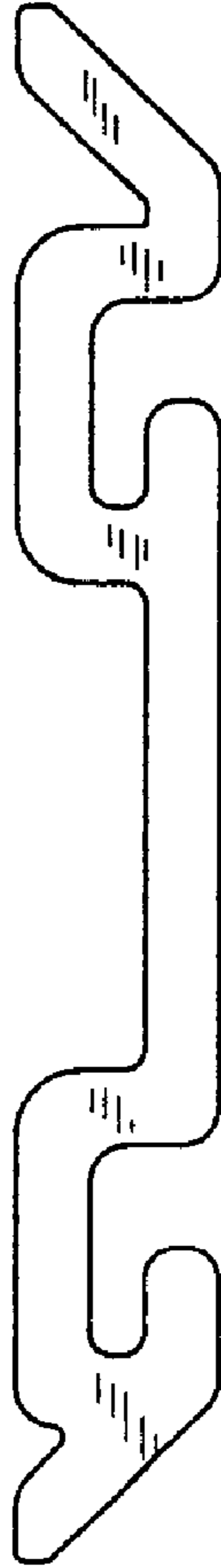


Fig. 7

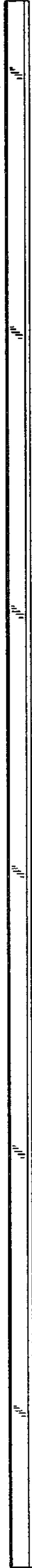


Fig. 8



Fig. 10



Fig. 9



Fig. 11