



US00D504523S

(12) **United States Design Patent** (10) **Patent No.:** **US D504,523 S**
Gimpel et al. (45) **Date of Patent:** **** Apr. 26, 2005**

(54) **TUBULAR FRAMEWORK CONNECTION SYSTEM**

(75) Inventors: **Dixon S. Gimpel**, Credit River, MN (US); **Curtis H. Lindblom**, Oakdale, MN (US)

(73) Assignee: **Skyline Displays, Inc.**, Eagan, MN (US)

(**) Term: **14 Years**

(21) Appl. No.: **29/192,098**

(22) Filed: **Oct. 17, 2003**

Related U.S. Application Data

(63) Continuation of application No. 10/160,843, filed on Jun. 23, 2003.

(51) **LOC (7) Cl.** **25-02**

(52) **U.S. Cl.** **D25/61**

(58) **Field of Search** D25/61; 52/634, 52/636, 638, 646, 690, 693, 694, 650.3

(56) **References Cited**

U.S. PATENT DOCUMENTS

2,676,025 A	4/1954	Davis
3,483,998 A	12/1969	Butler
3,606,027 A	9/1971	Clements

(Continued)

FOREIGN PATENT DOCUMENTS

CA	1048970	2/1979
DE	9017415.1	12/1990
DE	296 19 015 U 1	2/1997
DE	298 21 204 U 1	4/1999
DE	203 09 076 U 1	9/2003
EP	1 164 230 A1	12/2001
WO	WO 89/06724	7/1989

OTHER PUBLICATIONS

- Skyline Displays, Inc., *ps2000 brochure*, 2001.
 Skyline Displays, Inc., *imagine that.brochure*, 2000.
 Skyline Displays, Inc., *design ideas brochure*, 2000.

Skyline Displays, Inc., *How Do You Market Your e-Business Offline? brochure*, 2001.

Skyline Displays, Inc., *mirage plus brochure*, 2001.

Skyline Displays, Inc., *skytruss brochure*, 2001.

Trussworks, Truss Catalog web page printout, *Truss Parts*, Aug. 17, 2001.

Trussworks, Truss Catalog web page printout, *Trussworks Photos, Graphics Frame*, p. 1, Aug. 17, 2001.

Trussworks, Truss Catalog web page printout, *Trussworks Photos, Graphics Frame*, p. 2, Aug. 17, 2001.

Trussworks, Truss Catalog web page printout, *Trussworks Photos, Exhibit Photos*, p. 1, Aug. 17, 2001.

Trussworks, Truss Catalog web page printout, *Trussworks Photos, Graphics Frame*, p. 12 Aug. 17, 2001.

Xtensis, *The Exhibit System You've Been Waiting For!*, Xtensis brochure, Canfield Industries, Inc., 20 pages.

INdoor, *Präsentationssysteme*, FRistem, 14 pages.

Catalog, *Your Handrail Source*, Hollaender, 50 pages.

Primary Examiner—Doris Clark

(74) *Attorney, Agent, or Firm*—Patterson, Thuente, Skaar & Christensen, P.A.

(57) **CLAIM**

We claim the ornamental design for tubular framework connection system, as shown and described.

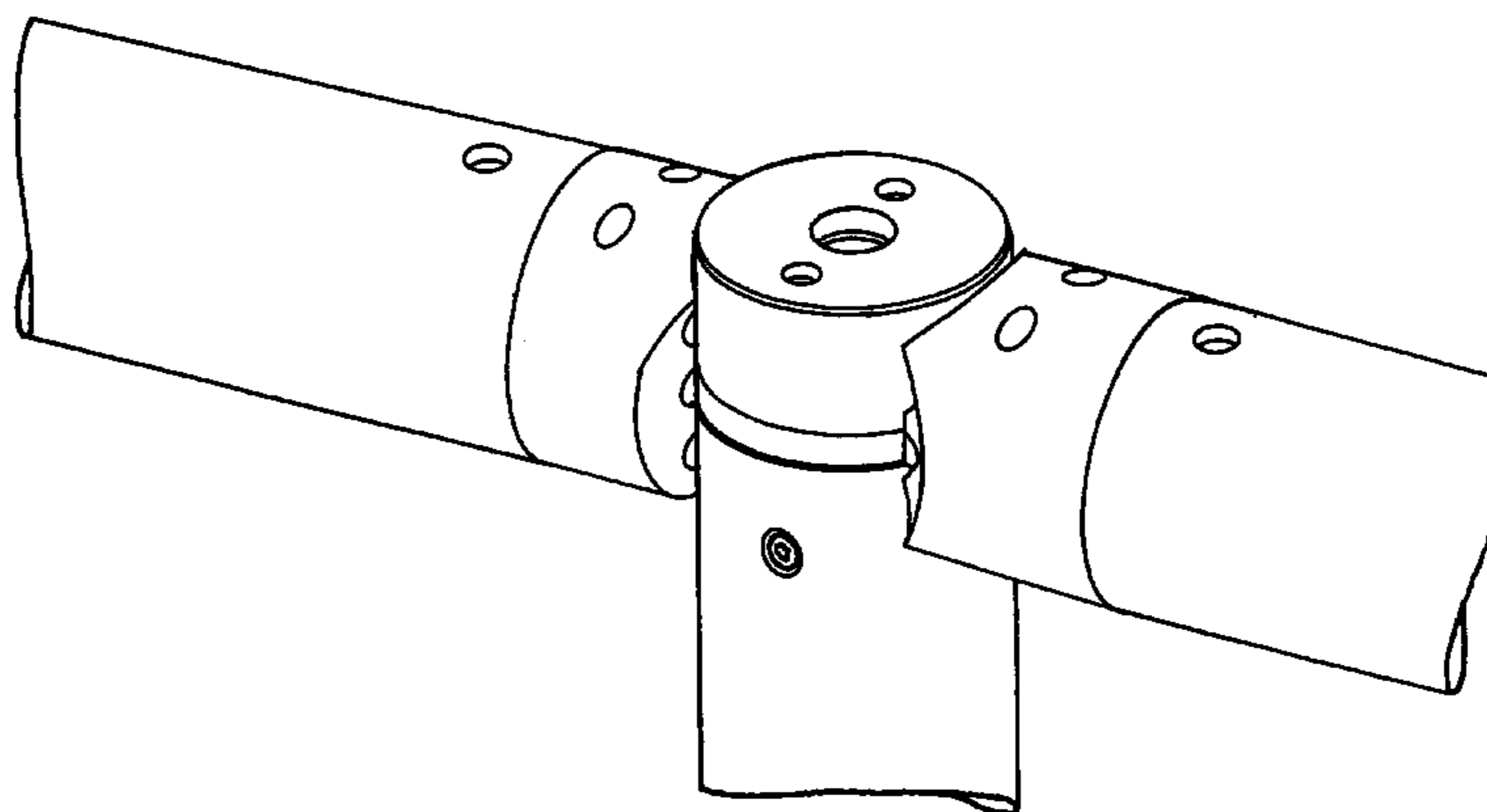
DESCRIPTION

FIG. 1 is a fragmentary perspective view of a tubular framework connection system according to the first embodiment of the invention; and,

FIG. 2 is a fragmentary perspective view of a tubular framework connection system according to the second embodiment of the invention.

Due to the symmetry of the design, these perspective views are the same from both ends and all sides of the claimed invention. The perspective views of FIGS. 1–2 fully and completely disclose the appearance of the tubular framework connection system design.

1 Claim, 2 Drawing Sheets



US D504,523 S

Page 2

U.S. PATENT DOCUMENTS

3,787,134 A	1/1974	Burr	5,351,843 A	10/1994	Wichman et al.
3,812,629 A	5/1974	Campbell	5,370,249 A	12/1994	Harvey et al.
3,980,408 A	9/1976	Jachmann	5,501,051 A	3/1996	Harlan
4,150,907 A	4/1979	Thurnauer	5,536,097 A	7/1996	Hazan
4,212,445 A	7/1980	Hagen	5,537,766 A	7/1996	Nickens et al.
4,345,849 A	8/1982	Stenemann	5,549,408 A	8/1996	Lo
4,355,918 A	10/1982	Van Vliet	D373,692 S	9/1996	Staeger
4,455,103 A	6/1984	Hackenberg	5,561,960 A	10/1996	Minnick et al.
4,471,548 A	9/1984	Goudie	5,651,630 A	7/1997	Nomura
4,583,359 A	4/1986	Staeger	5,706,622 A	1/1998	Lange
4,800,663 A	1/1989	Zeigler	5,769,247 A	6/1998	Merl
4,815,885 A	3/1989	Wright	D408,560 S	4/1999	Bruder
4,934,858 A	6/1990	Beaulieu	5,957,614 A	9/1999	Aurich
4,951,440 A	8/1990	Staeger	D417,292 S	11/1999	Staeger
4,986,038 A	1/1991	Backer	6,079,178 A	6/2000	Fisher
5,038,529 A	8/1991	Conley et al.	6,149,021 A	11/2000	Beaulieu
5,092,385 A	3/1992	Beaulieu	6,186,134 B1	2/2001	Battersby et al.
5,101,607 A	4/1992	Staeger	6,196,568 B1	3/2001	Stevens
5,111,631 A	5/1992	Flood et al.	6,216,887 B1	4/2001	Soo
5,115,623 A	5/1992	Ahlberg	6,273,633 B1	8/2001	Husson et al.
5,230,197 A *	7/1993	Hart 52/653.2	6,405,884 B1	6/2002	Dion
5,253,407 A	10/1993	Jamrus	D472,648 S *	4/2003	Linsley D25/61
5,269,112 A	12/1993	Weinrub et al.	6,615,562 B1	9/2003	Fritsche et al.
5,271,685 A	12/1993	Stark	2001/0050262 A1	12/2001	LaBruna, Jr. et al.
5,277,512 A	1/1994	Dwillies			

* cited by examiner

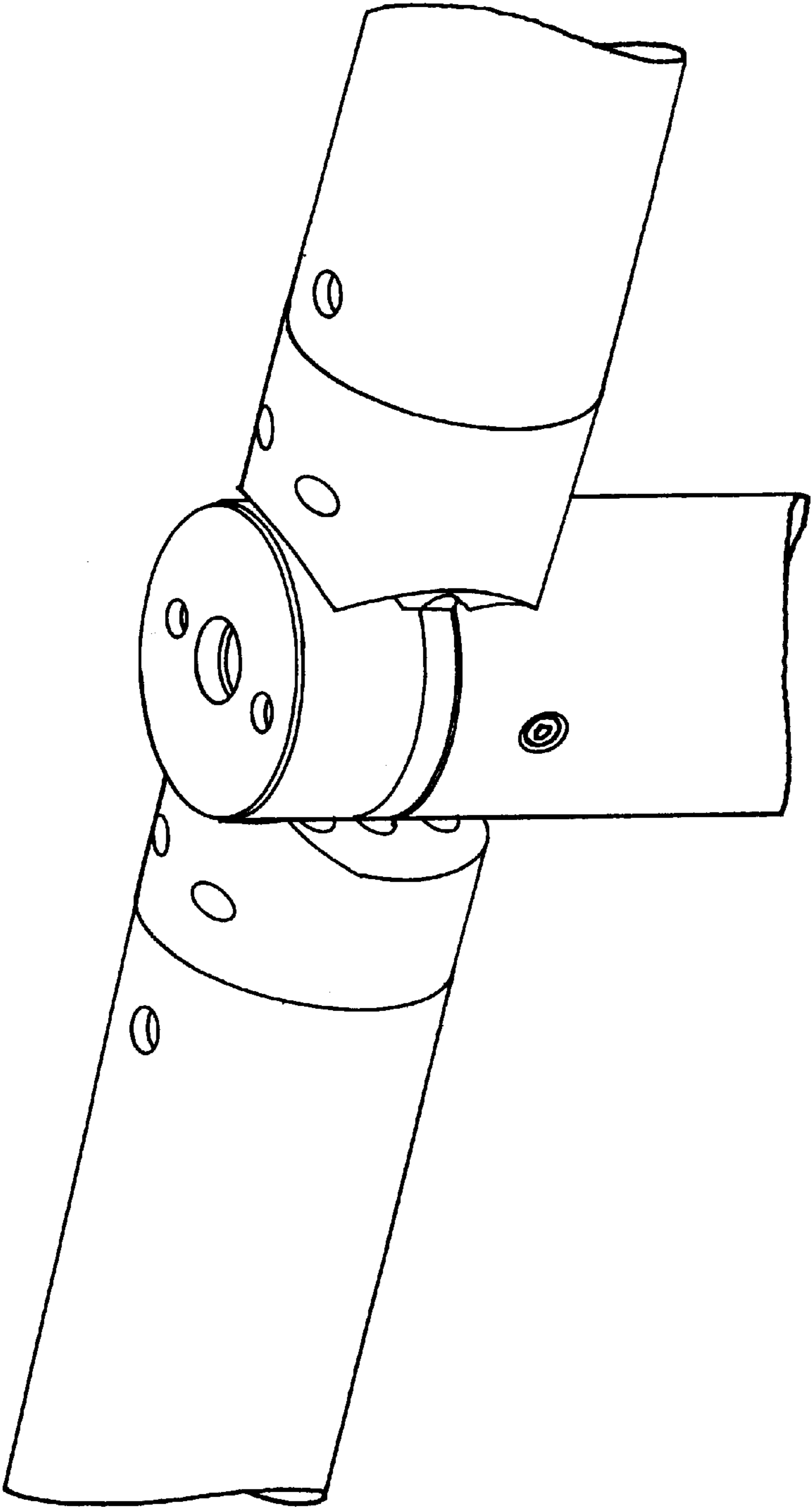


FIG. 1

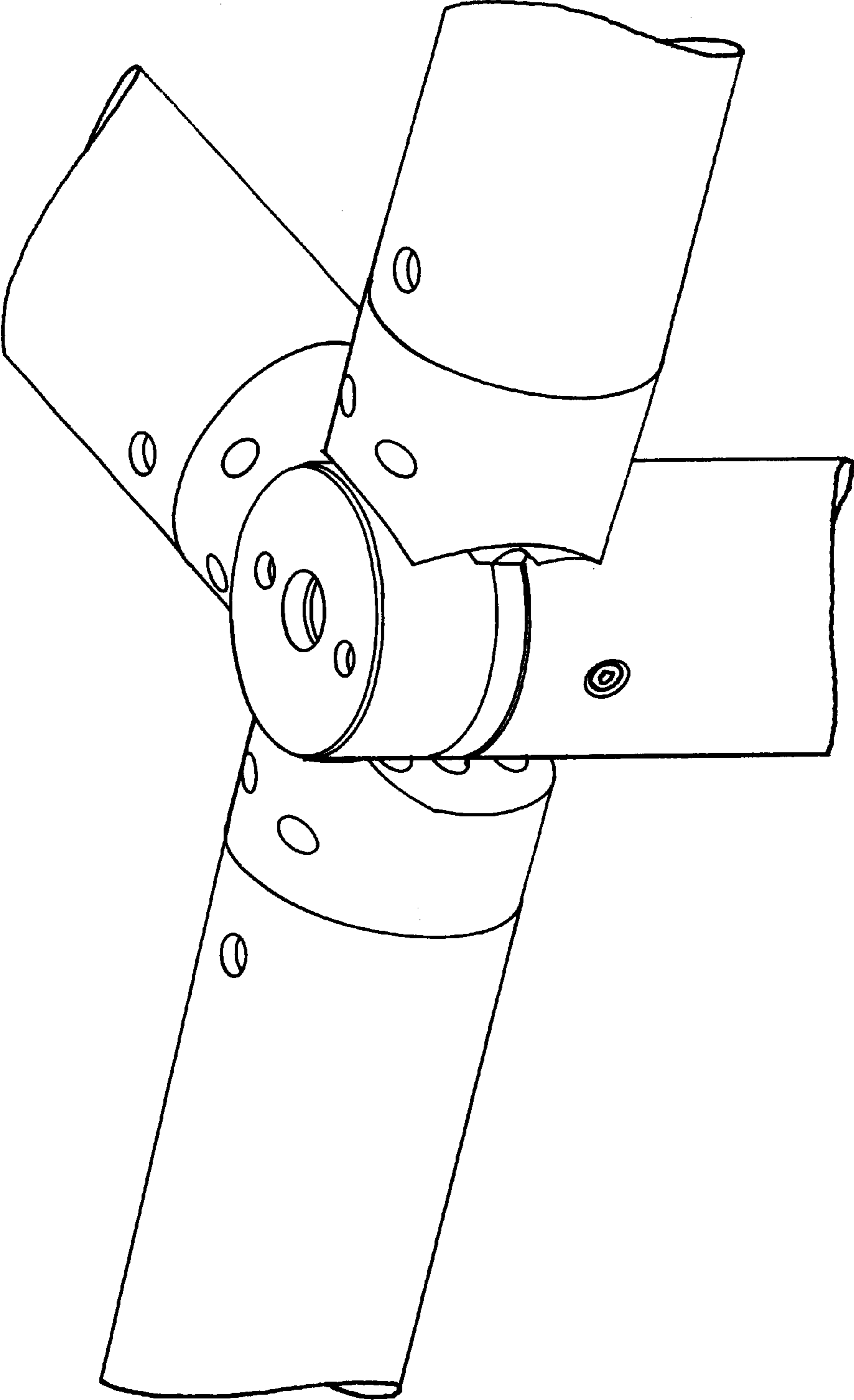


FIG. 2