

US00D504517S

(12) **United States Design Patent**
Metcalf et al.

(10) **Patent No.:** **US D504,517 S**

(45) **Date of Patent:** **** Apr. 26, 2005**

(54) **MEDICAL SUPPORT BELT**

5,928,175 A * 7/1999 Tanaka 602/75
6,671,899 B1 * 1/2004 Oja 5/89.1

(76) Inventors: **Robert Metcalfe**, 4052 Long Moor Drive, Burlington, Ontario (CA), L7L 1X2; **Gordon Travis**, 185 Springside Drive, Hamilton, Ontario L9B 1M8 (CA)

* cited by examiner

Primary Examiner—Ian Simmons
Assistant Examiner—Daniel Yu

(**) **Term:** **14 Years**

(57) **CLAIM**

The ornamental design for a medical support belt, as shown and described.

(21) **Appl. No.:** **29/193,077**

(22) **Filed:** **Nov. 4, 2003**

DESCRIPTION

(51) **LOC (7) Cl.** **24-01**

(52) **U.S. Cl.** **D24/188**

(58) **Field of Search** D24/114, 188,
D24/190–192; 602/19, 23, 1, 4; 128/99.1,
100.1, 102.1, 876, 891

FIG. 1 is a top plan view of a medical support belt showing our new design;

FIG. 2 is a bottom plan view thereof;

FIG. 3 is a top perspective view thereof, shown from the left side;

FIG. 4 is a bottom perspective view thereof, shown from the left side;

FIG. 5 is a top plan view of a second embodiment of a medical support belt showing our new design;

FIG. 6 is a bottom plan view thereof;

FIG. 7 is a top perspective view thereof, shown from the left side; and,

FIG. 8 is a bottom perspective view thereof, shown from the left side.

The broken line on the surface of the claimed design represents top stitching.

(56) **References Cited**

U.S. PATENT DOCUMENTS

| | | | | | | |
|-----------|---|---|---------|-----------|-------|----------|
| 655,618 | A | * | 8/1900 | Garver | | 128/98.1 |
| 3,646,932 | A | * | 3/1972 | Schultz | | 128/95.1 |
| 4,957,105 | A | * | 9/1990 | Kurth | | 128/96.1 |
| 4,977,893 | A | * | 12/1990 | Hunt | | 602/61 |
| D343,002 | S | * | 1/1994 | Gauvry | | D24/192 |
| 5,353,793 | A | * | 10/1994 | Bornn | | 600/386 |
| 5,423,852 | A | * | 6/1995 | Daneshvar | | 606/201 |
| 5,785,671 | A | * | 7/1998 | Striano | | 602/19 |
| 5,799,650 | A | * | 9/1998 | Harris | | 128/96.1 |

1 Claim, 4 Drawing Sheets

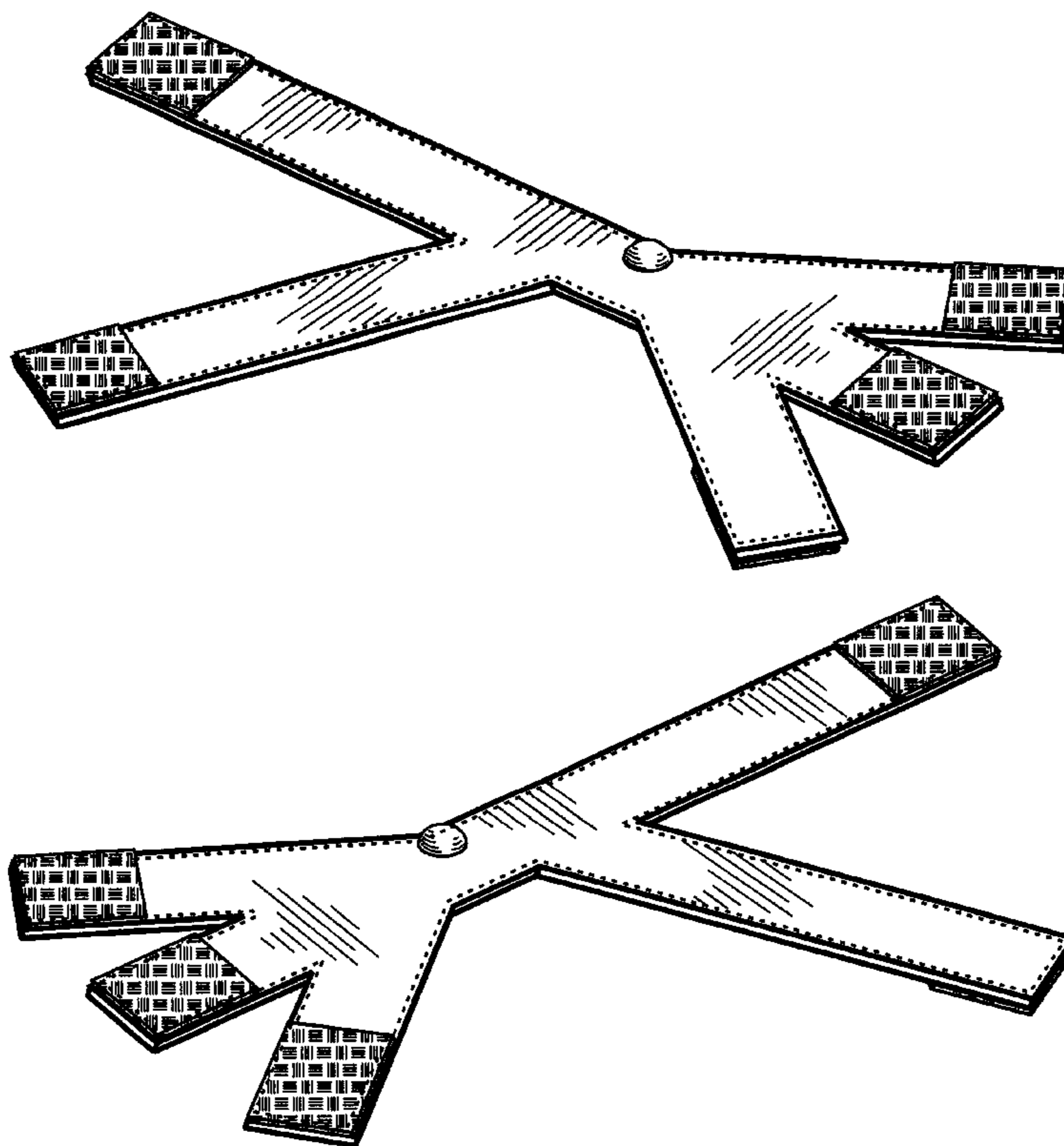


Fig. 1

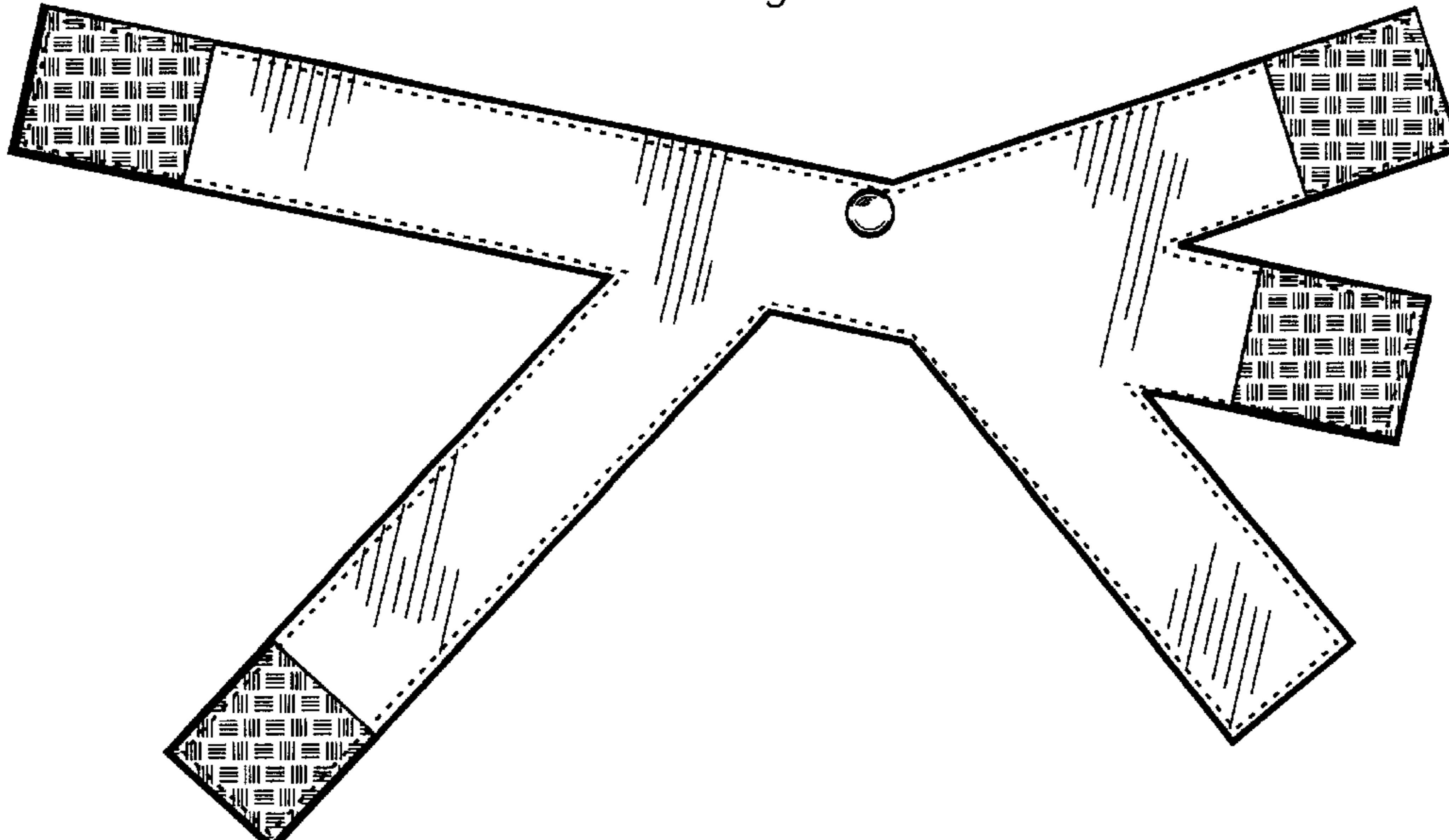


Fig. 2

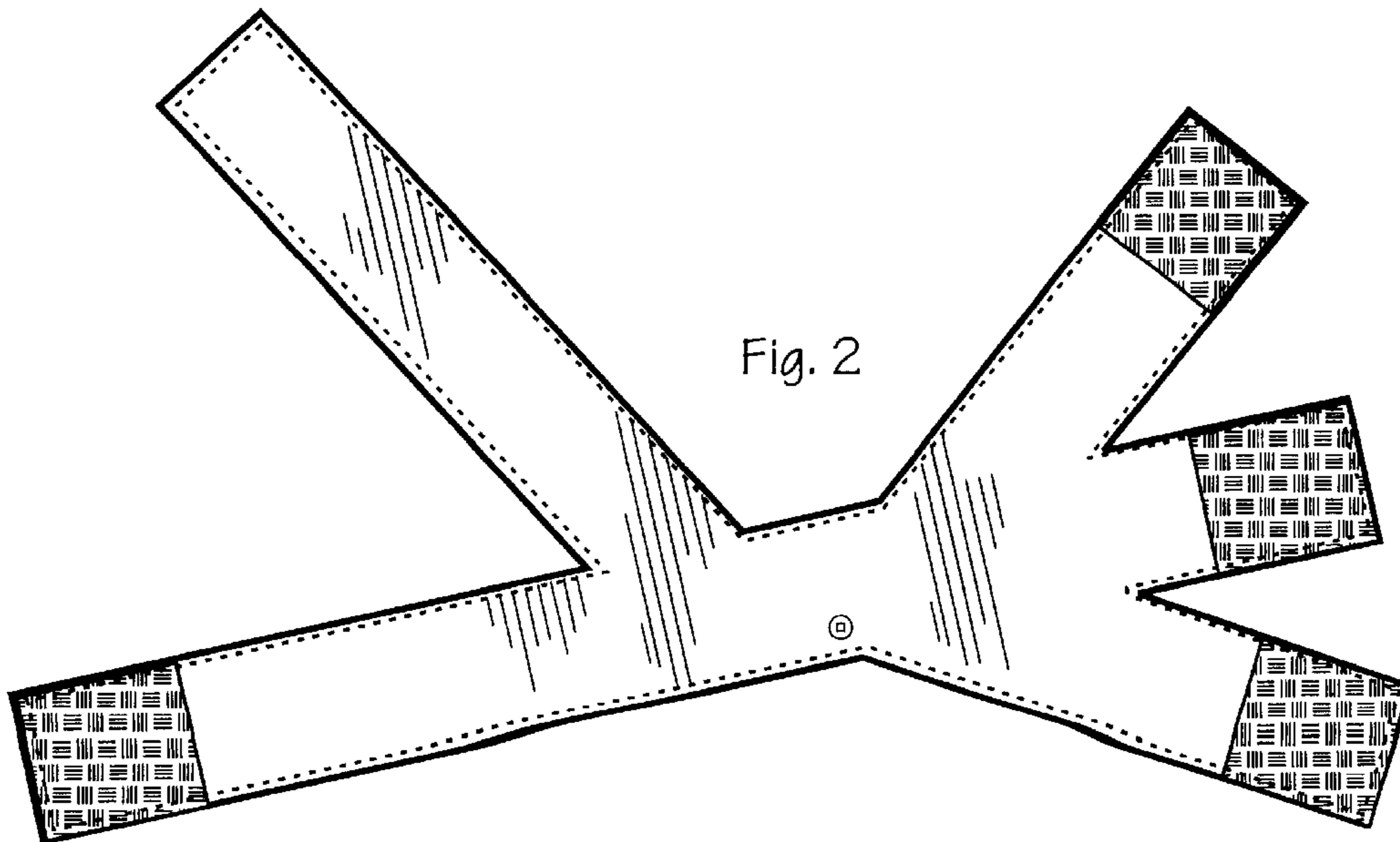


Fig. 3

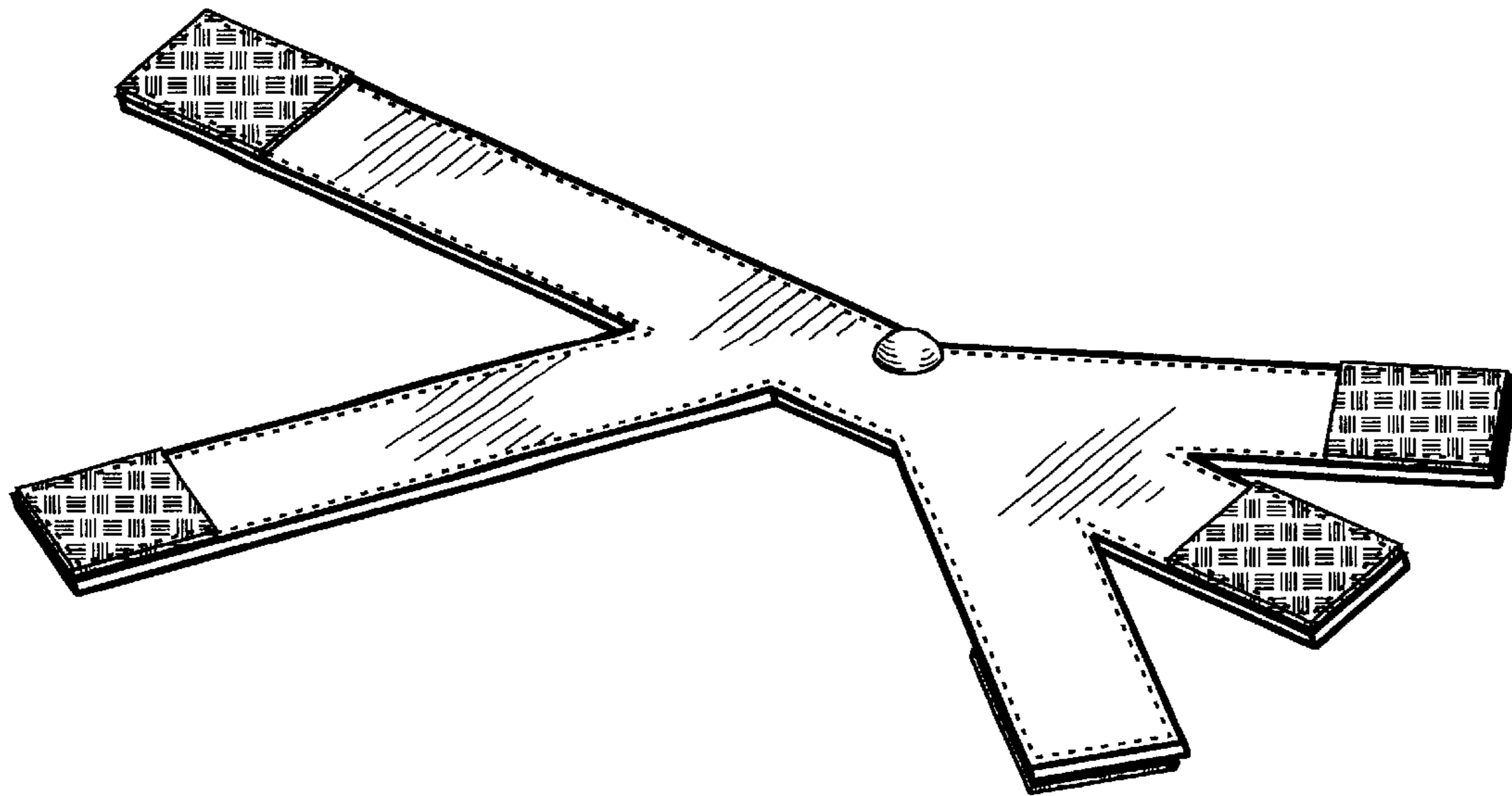


Fig. 4

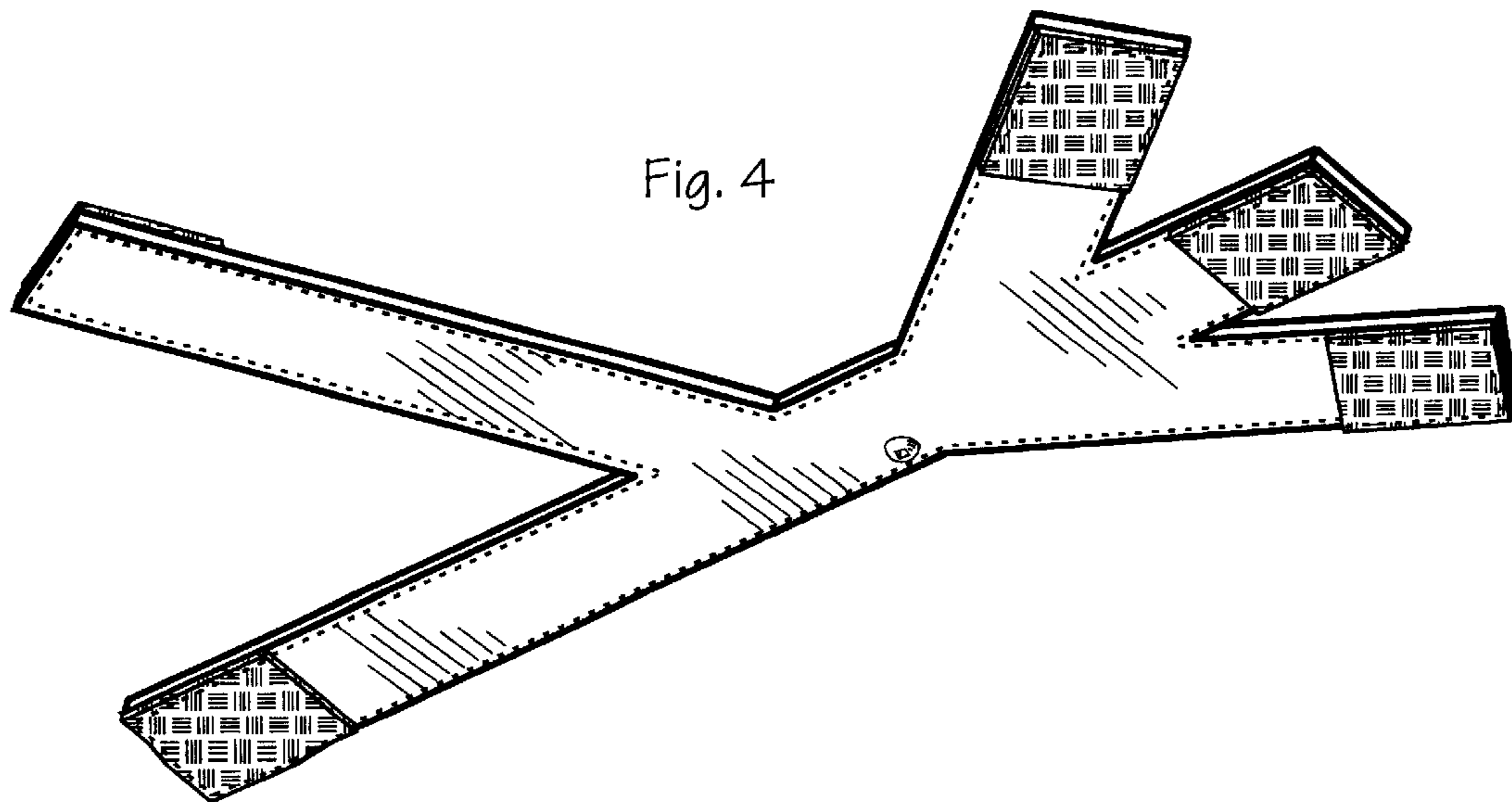


Fig. 5

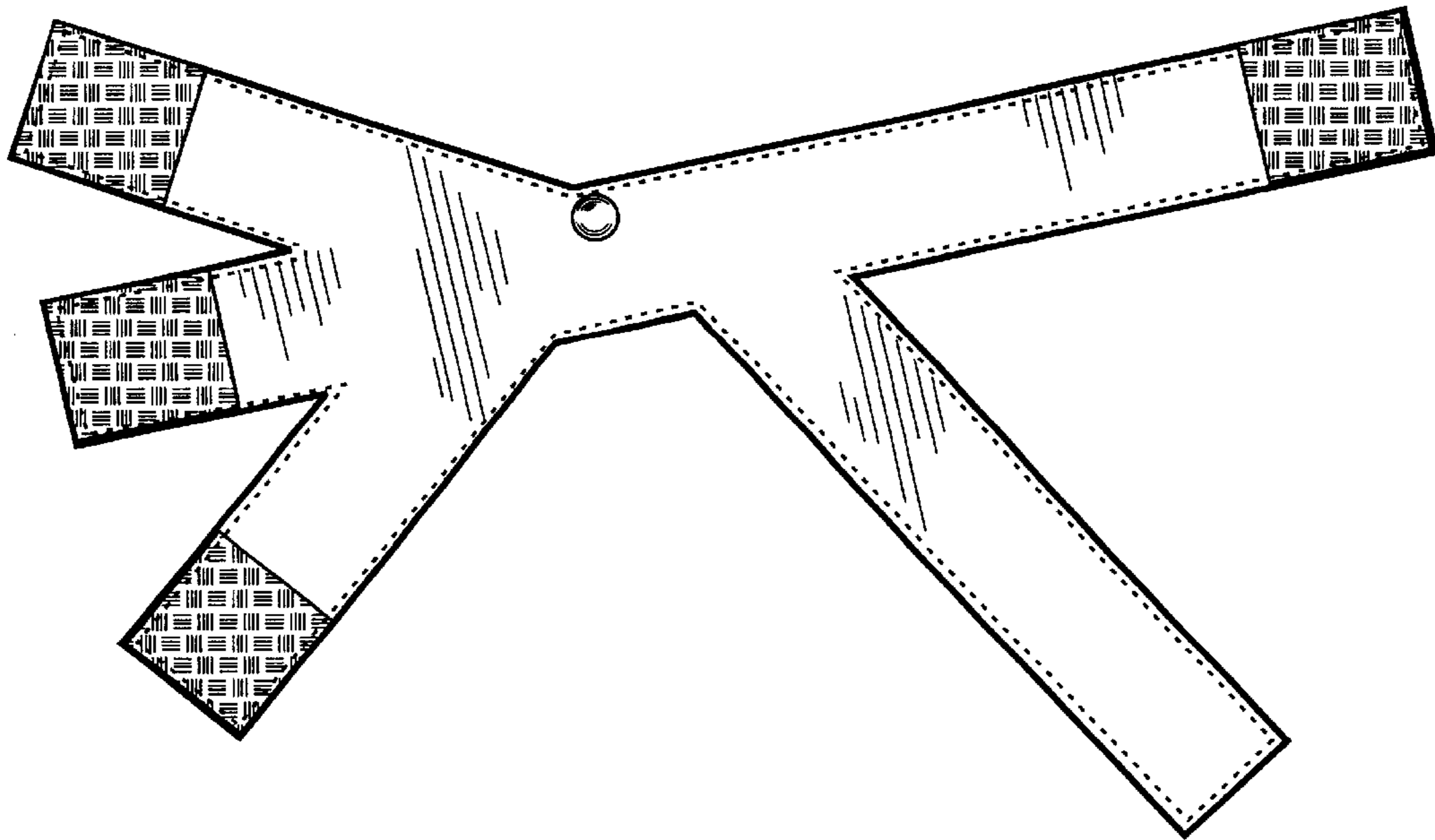


Fig. 6

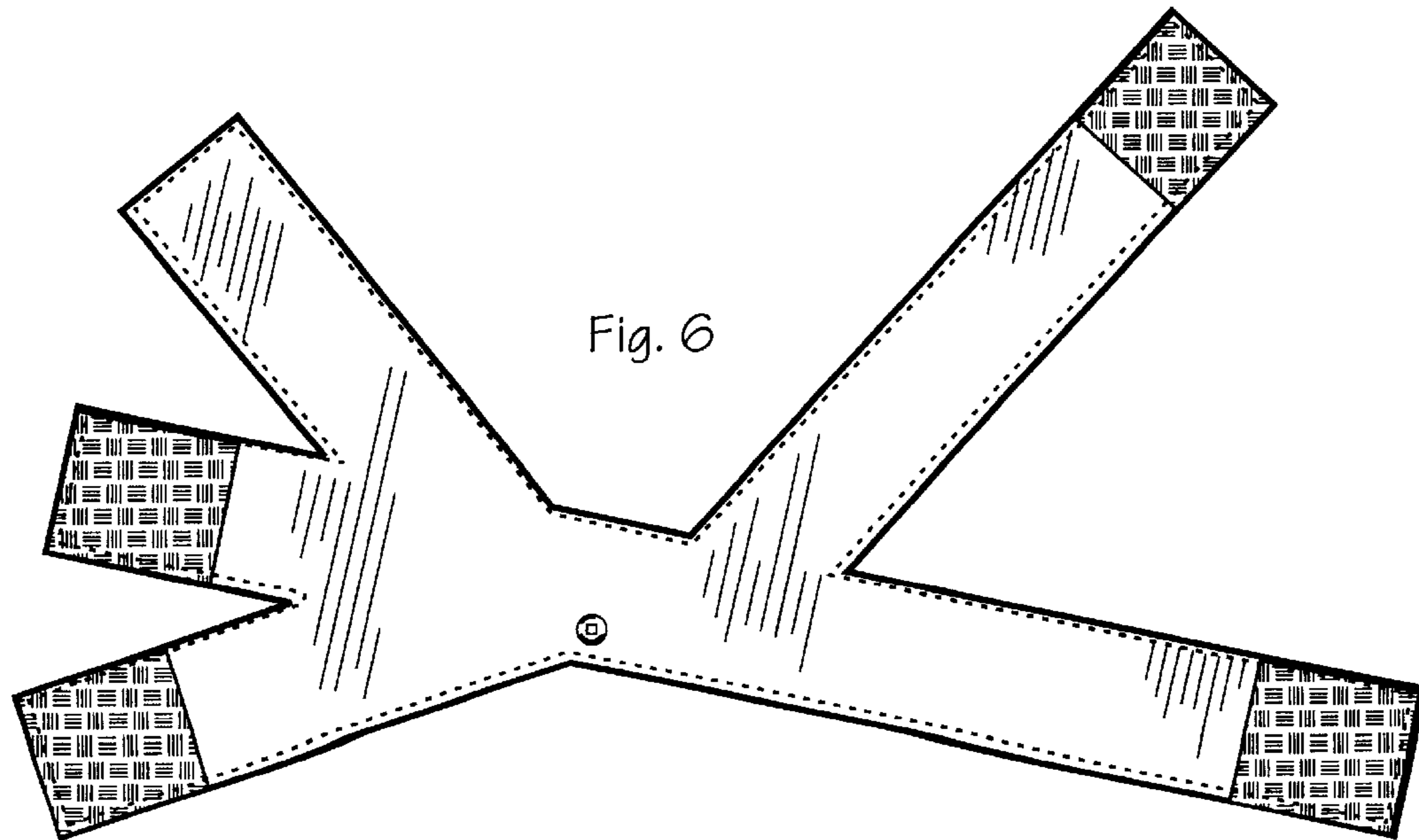


Fig. 7

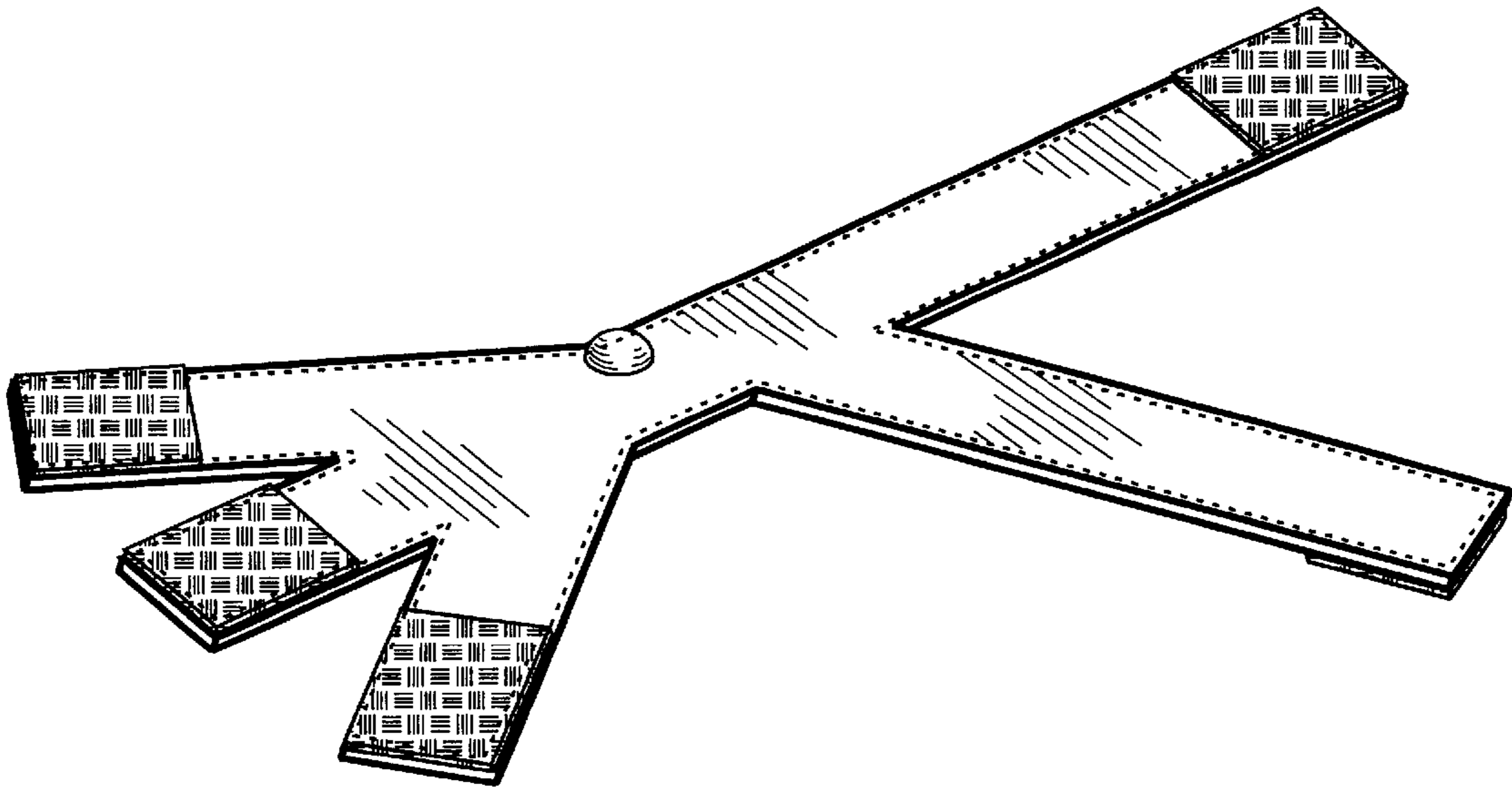


Fig. 8

