



US00D504511S

(12) **United States Design Patent**
Schneider

(10) **Patent No.: US D504,511 S**
(45) **Date of Patent: ** Apr. 26, 2005**

(54) **NEEDLE RE-CAPPER**

(75) Inventor: **Mark W. Schneider**, New Port Richey, FL (US)

(73) Assignee: **Hager Worldwide, Inc.**, Odessa, FL (US)

(**) Term: **14 Years**

(21) Appl. No.: **29/206,551**

(22) Filed: **Jun. 1, 2004**

(51) **LOC (7) Cl.** **24-04**

(52) **U.S. Cl.** **D24/130**

(58) **Field of Search** D24/130; 206/370, 206/363, 364-366, 571; 604/110, 173, 187, 191, 192, 195, 214, 218, 220-224, 228, 232, 263

(56) **References Cited**

U.S. PATENT DOCUMENTS

- 4,981,476 A * 1/1991 Aichlmayr et al. 604/192
- D343,899 S * 2/1994 Lott et al. D24/130
- D346,444 S * 4/1994 Wade D24/130
- 5,356,385 A * 10/1994 Latini 604/110
- 5,401,252 A * 3/1995 Deal 604/192
- 5,498,242 A * 3/1996 Cooke 604/192

OTHER PUBLICATIONS

Needlestick Protection, www.sullivanschein.com, undated, p. 54.

Needlestick Protection, Pearson Houston TX, p. 24, undated.

510 (k) Premarket Notification Database, U.S. FDA, @ May 2004, Tonker. Needle Stick Protector <http://www.access-data.fda.gov/scripts/cdrh/cfdocs/cfPMN/pmn.cfm?ID=73024>.

510 (k) Premarket Notification Database, U.S. FDA, Dental Needle Protective System @ May 2004, <http://www.access-data.fda.gov/scripts/cdrh/cfdocs/cfPMN/pmm.cfm?ID=68263>.

510 (k) Premarket Notification Database, U.S. FDA, Safe-T-Cap "Needle Cover", <http://www.access-data.fda.gov/scripts/cdrh/cfdocs/cfPMN/pmn.cfm?ID=62480>, @ May 2004.

* cited by examiner

Primary Examiner—Ian Simmons

Assistant Examiner—Daniel Yu

(74) *Attorney, Agent, or Firm*—William S. Ramsey

(57) **CLAIM**

The ornamental design for a needle re-capper, as shown and described.

DESCRIPTION

FIG. 1 is a perspective view of a needle re-capper showing my new design shown in open condition;

FIG. 2 is a front elevational view thereof;

FIG. 3 is a right side elevational view thereof;

FIG. 4 is a rear elevational view thereof;

FIG. 5 is a top plan view thereof;

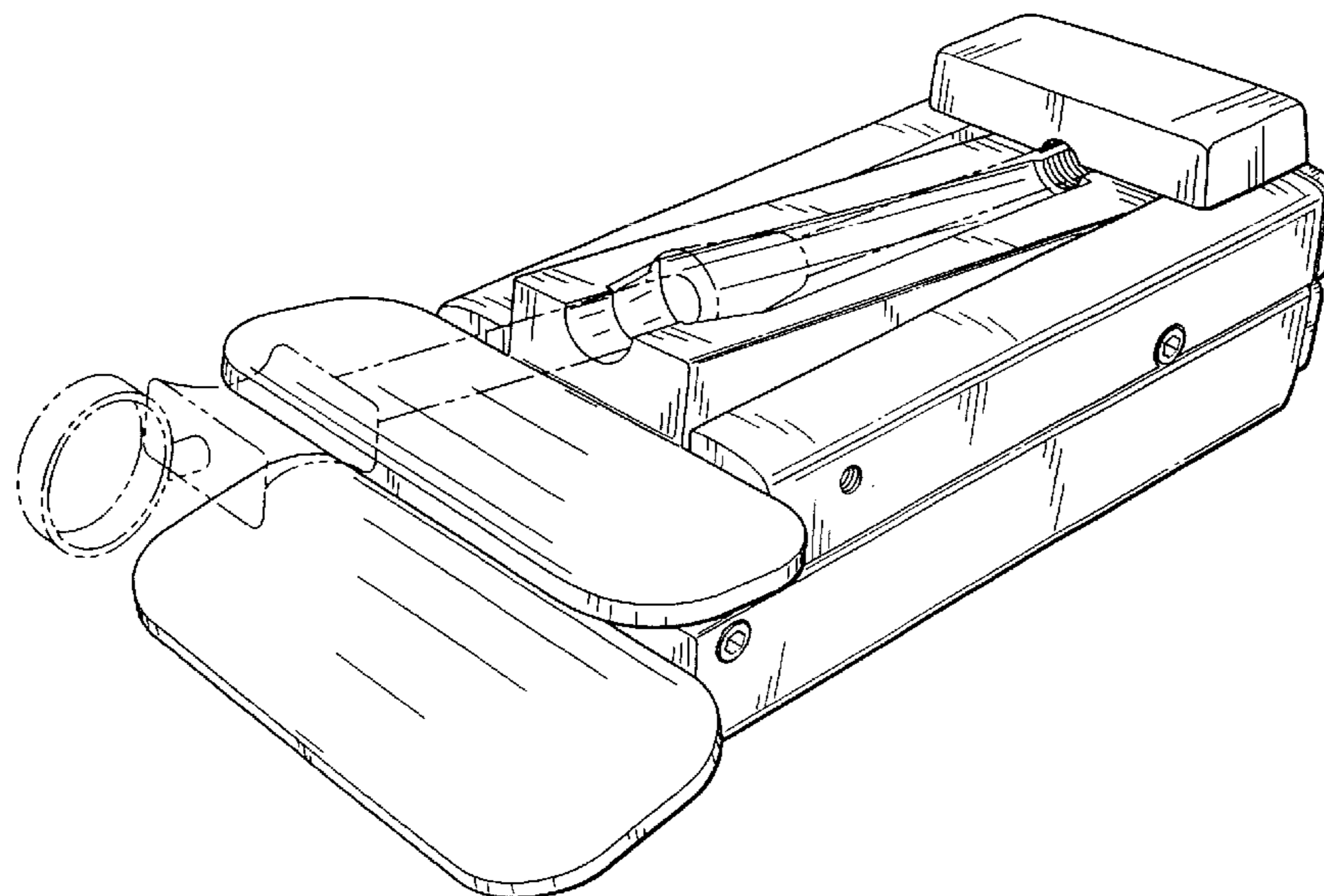
FIG. 6 is a bottom plan view thereof;

FIG. 7 is a left side elevational view thereof; and,

FIG. 8 is a perspective view thereof, shown in closed condition.

The hypodermic needle is shown in broken lines for illustrative purposes only and forms no part of the claimed design.

1 Claim, 5 Drawing Sheets



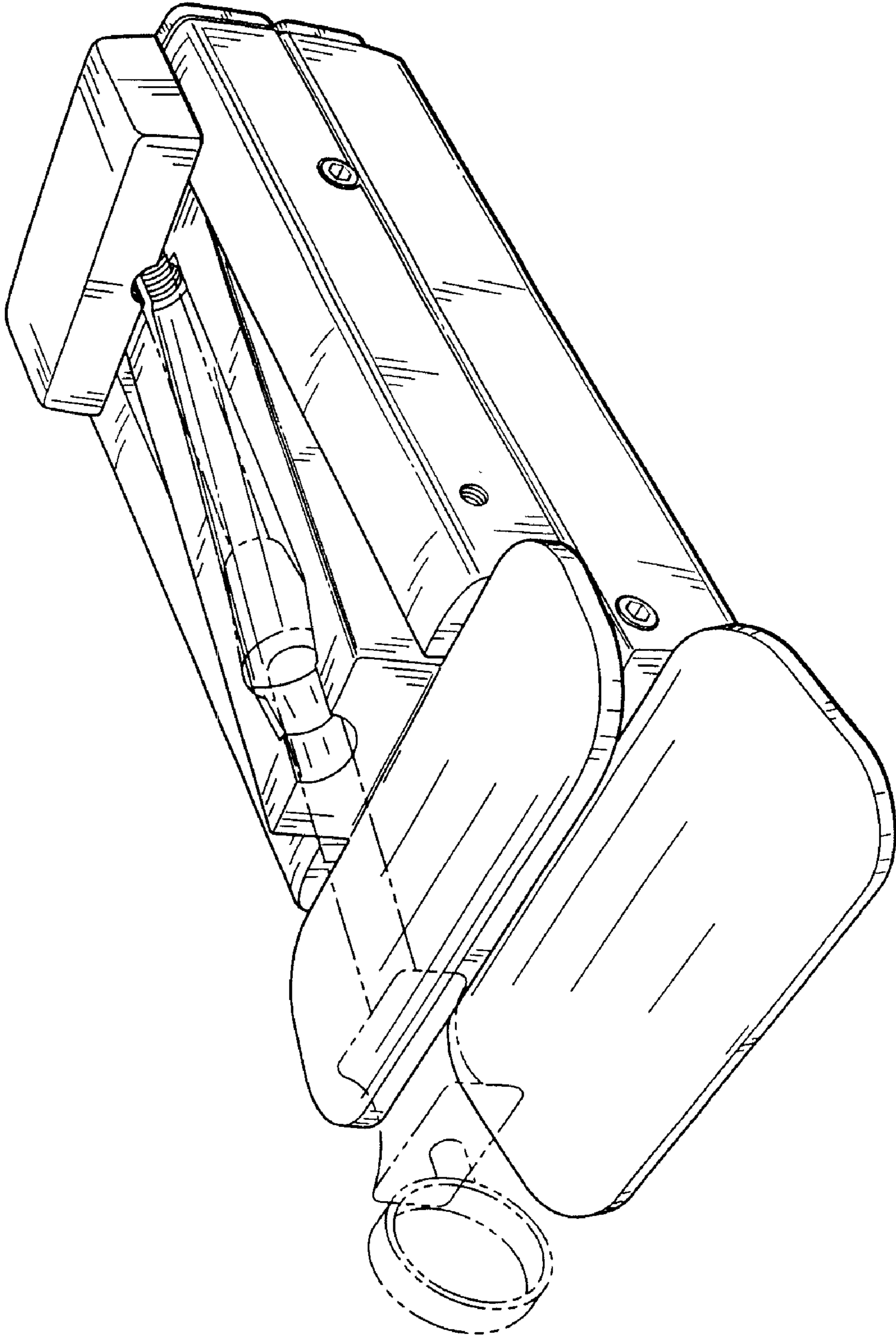


FIG. 1

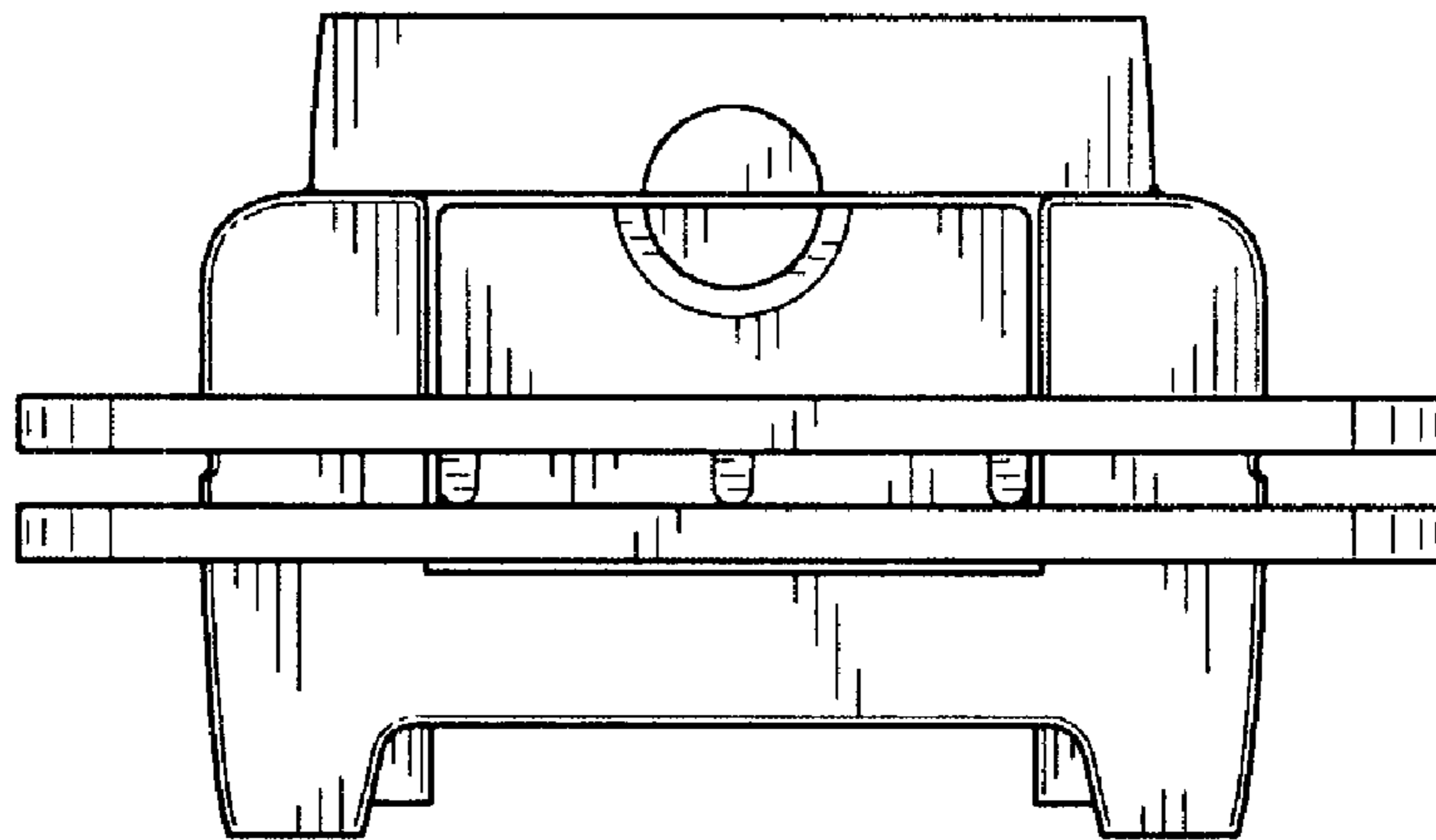


FIG. 2

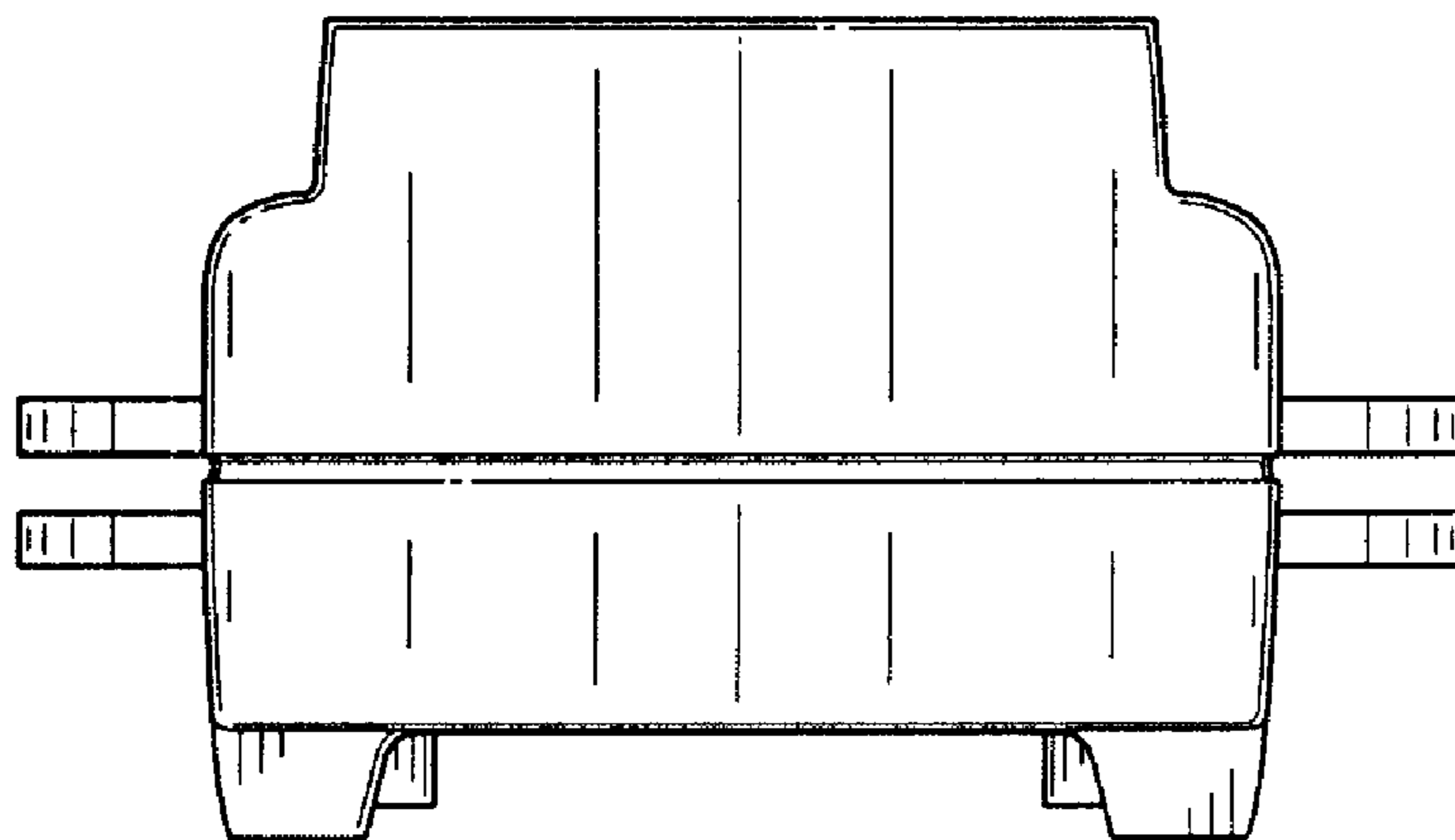


FIG. 4

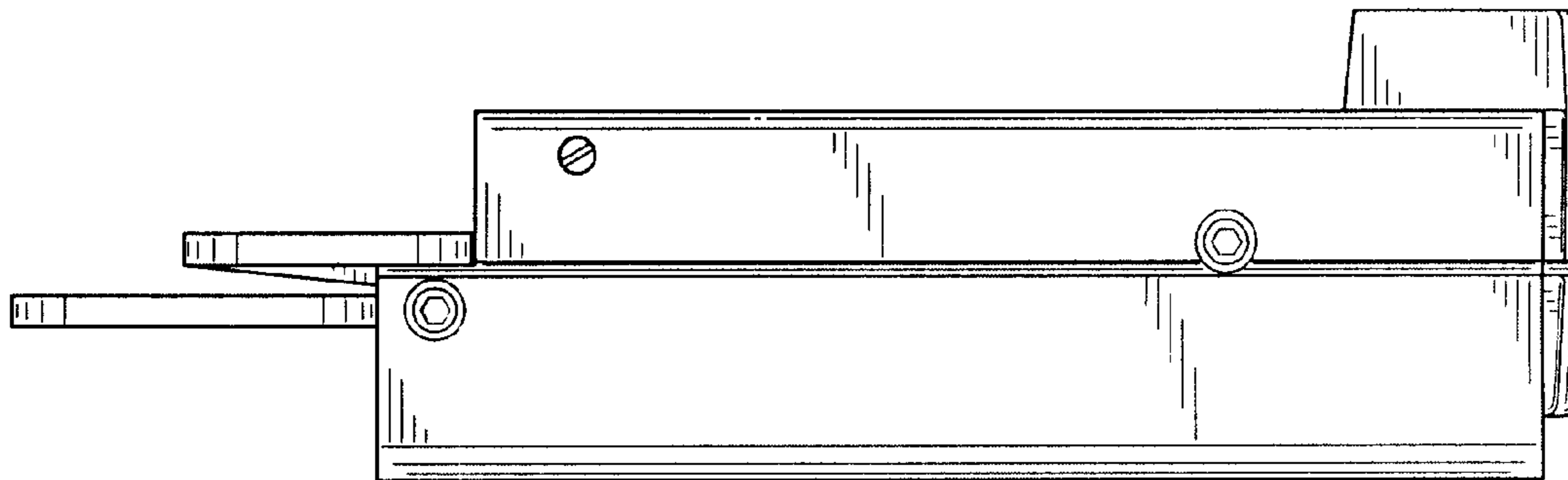


FIG. 3

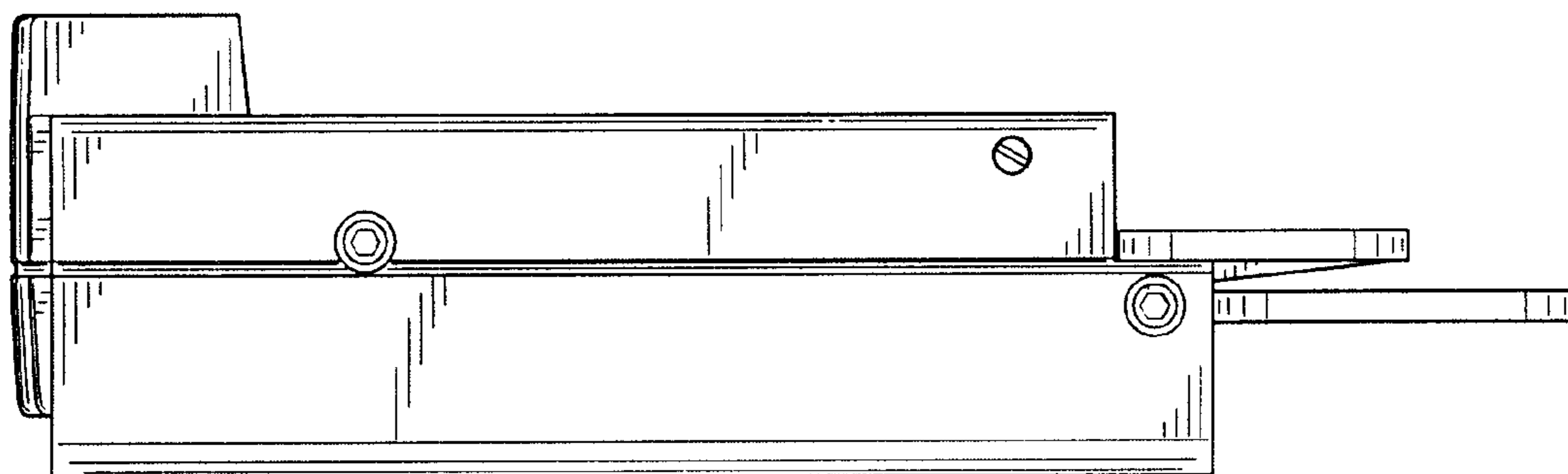


FIG. 7

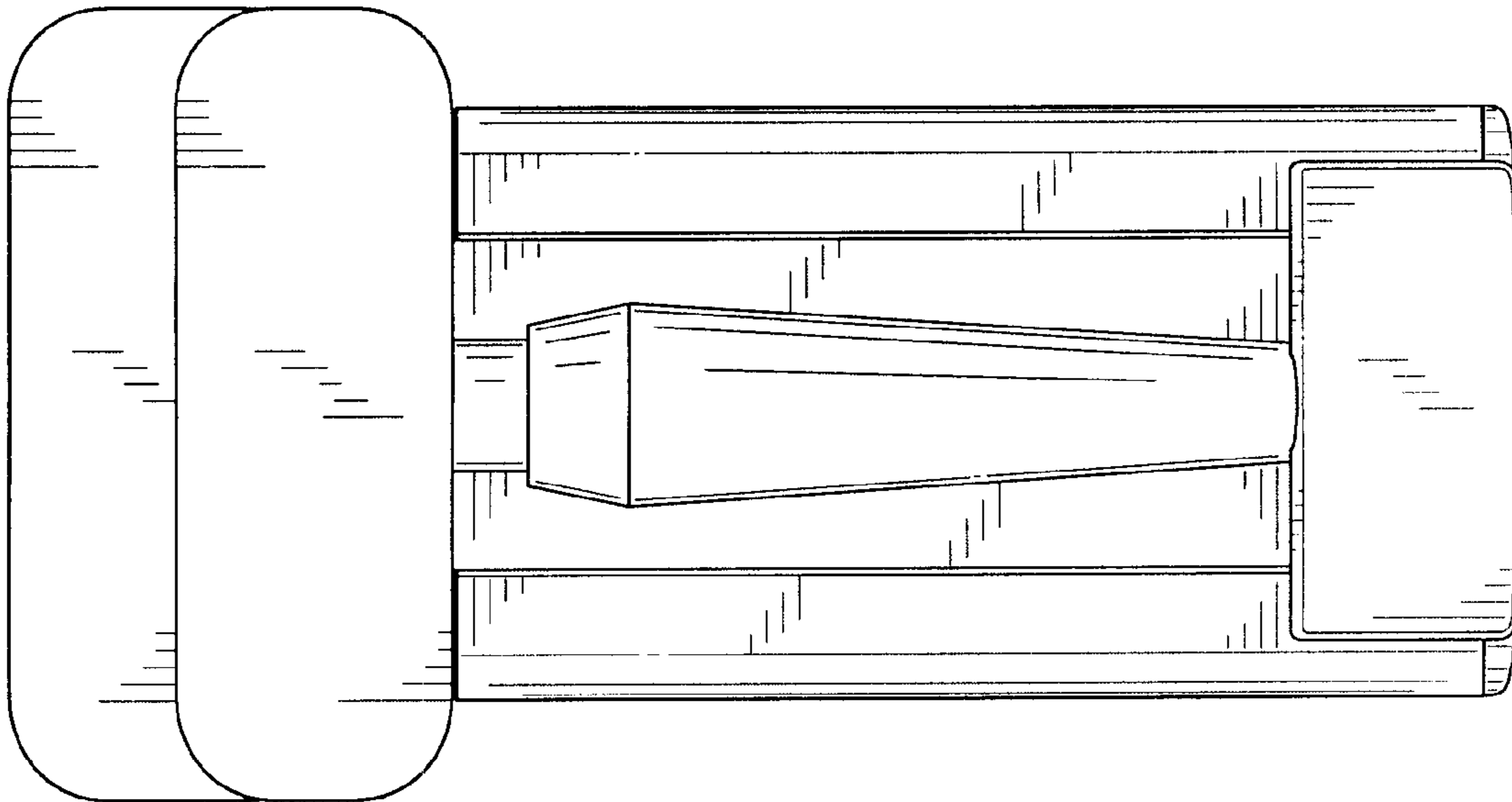


FIG. 5

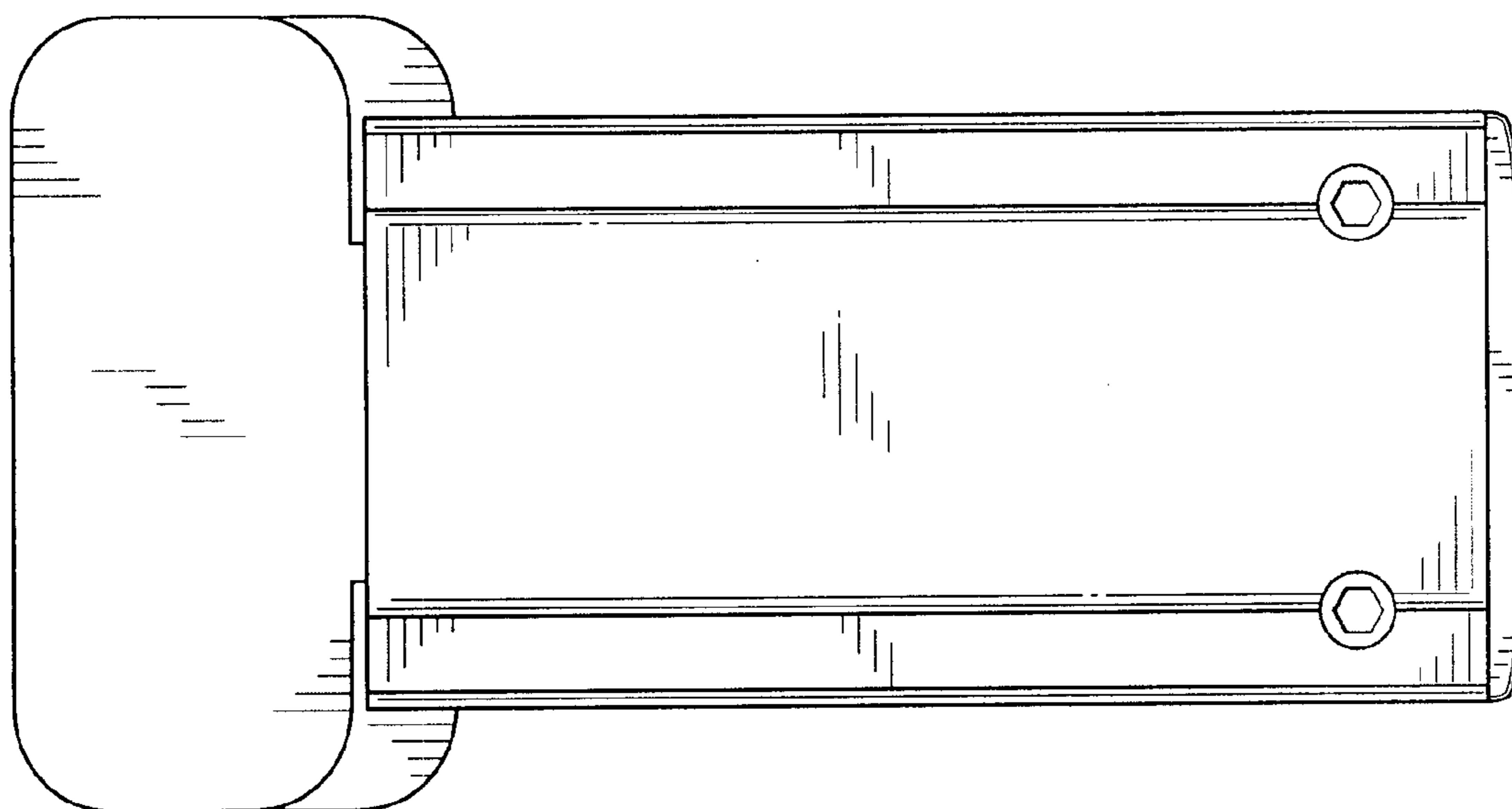


FIG. 6

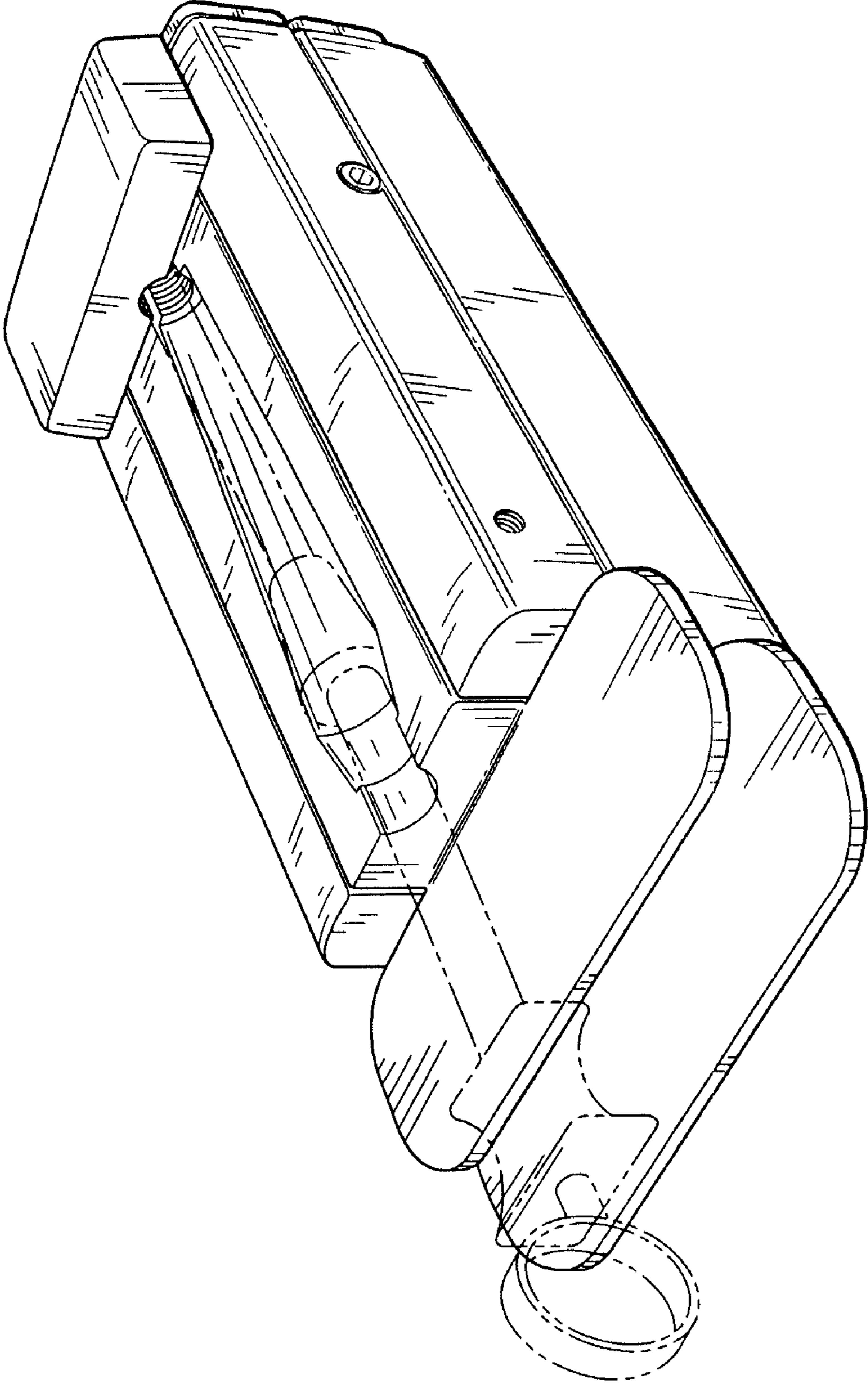


FIG. 8