

US00D504502S

(12) **United States Design Patent**
Young

(10) **Patent No.:** **US D504,502 S**
(45) **Date of Patent:** **** Apr. 26, 2005**

(54) **COMBINATION CEILING FAN AND LIGHT FIXTURE**

Primary Examiner—Lisa Lichtenstein
(74) *Attorney, Agent, or Firm*—Baker & McKenzie LLP

(75) **Inventor:** **Stanfield Young**, Garden Grove, CA (US)

(57) **CLAIM**

The ornamental design for the combination ceiling fan and light fixture, as shown and described.

(73) **Assignee:** **Minka Lighting, Inc.**, Corona, CA (US)

(**) **Term:** **14 Years**

DESCRIPTION

(21) **Appl. No.:** **29/193,420**

FIG. 1 is a perspective view from below of a combination ceiling fan and light fixture in accordance with my design; FIG. 2 is an enlarged perspective view from below of a combination ceiling fan and light fixture in accordance with my design;

(22) **Filed:** **Nov. 7, 2003**

(51) **LOC (7) Cl.** **23-04**

(52) **U.S. Cl.** **D23/377**

(58) **Field of Search** D23/377, 411, D23/379, 385, 413; 416/5; D26/59, 51, 72, 81–88

FIG. 3 is a bottom plan view of the combination ceiling fan and light fixture in accordance with my design;

FIG. 4 is a top plan view of the combination ceiling fan and light fixture in accordance with my design;

(56) **References Cited**

U.S. PATENT DOCUMENTS

- D376,421 S 12/1996 Jaspers-Fayer D23/377
- D378,404 S * 3/1997 Jaspers-Fayer D23/377
- D410,100 S * 5/1999 Jaspers-Fayer D26/59

FIG. 5 is a front elevation view of the combination ceiling fan and light fixture in accordance with my design; and,

FIG. 6 is a side elevation view of the combination ceiling fan and light fixture in accordance with my design.

FIGS. 5 and 6 are identical except for the positioning of the fan blades.

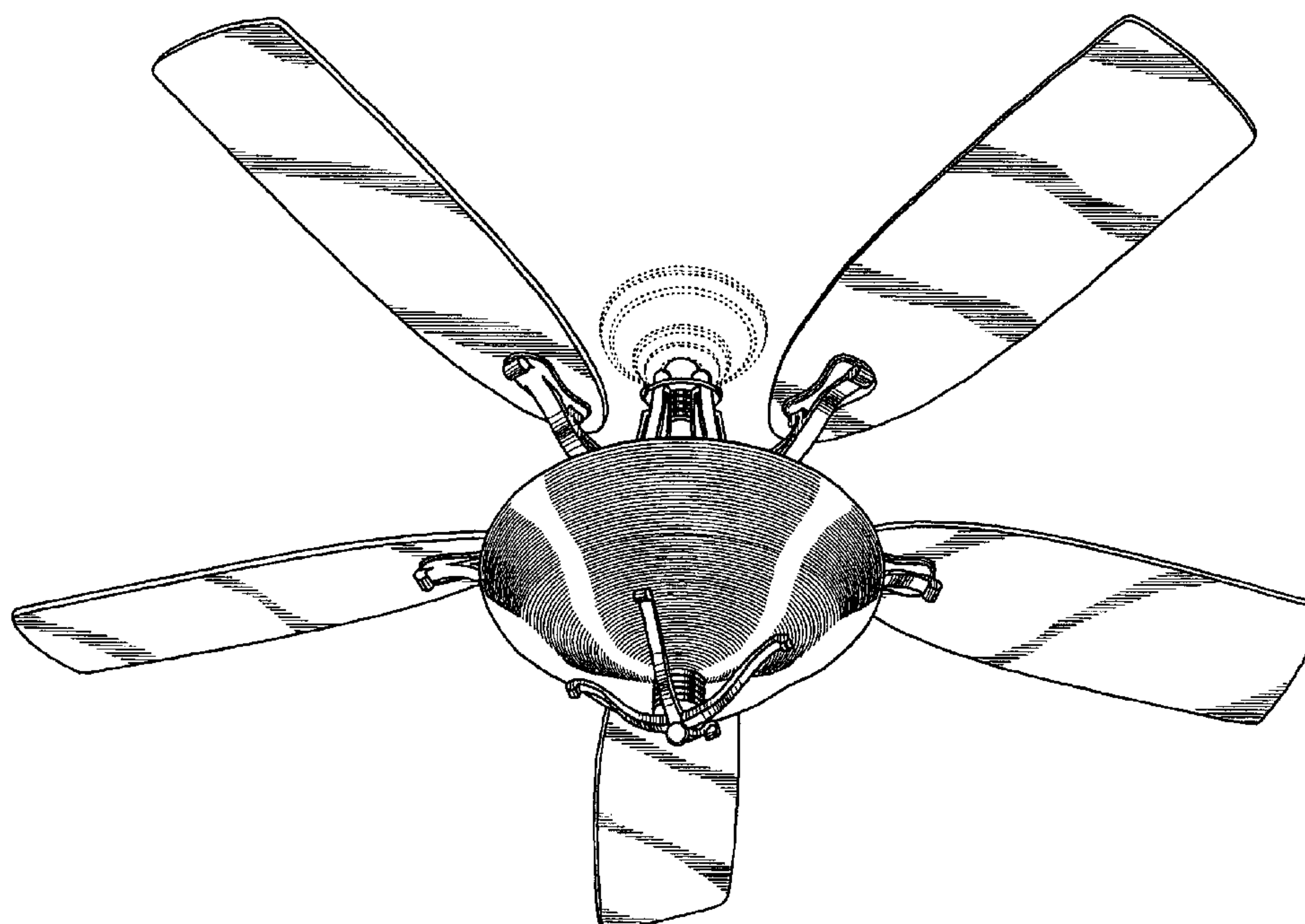
OTHER PUBLICATIONS

Minka Aire Two Thousand; pp. 22, 23, Dec. 1, 1999, Minka Lighting, Inc. USA.

The broken lines showing environmental structure are for illustrative purposes and form no part of the claimed design.

* cited by examiner

1 Claim, 6 Drawing Sheets



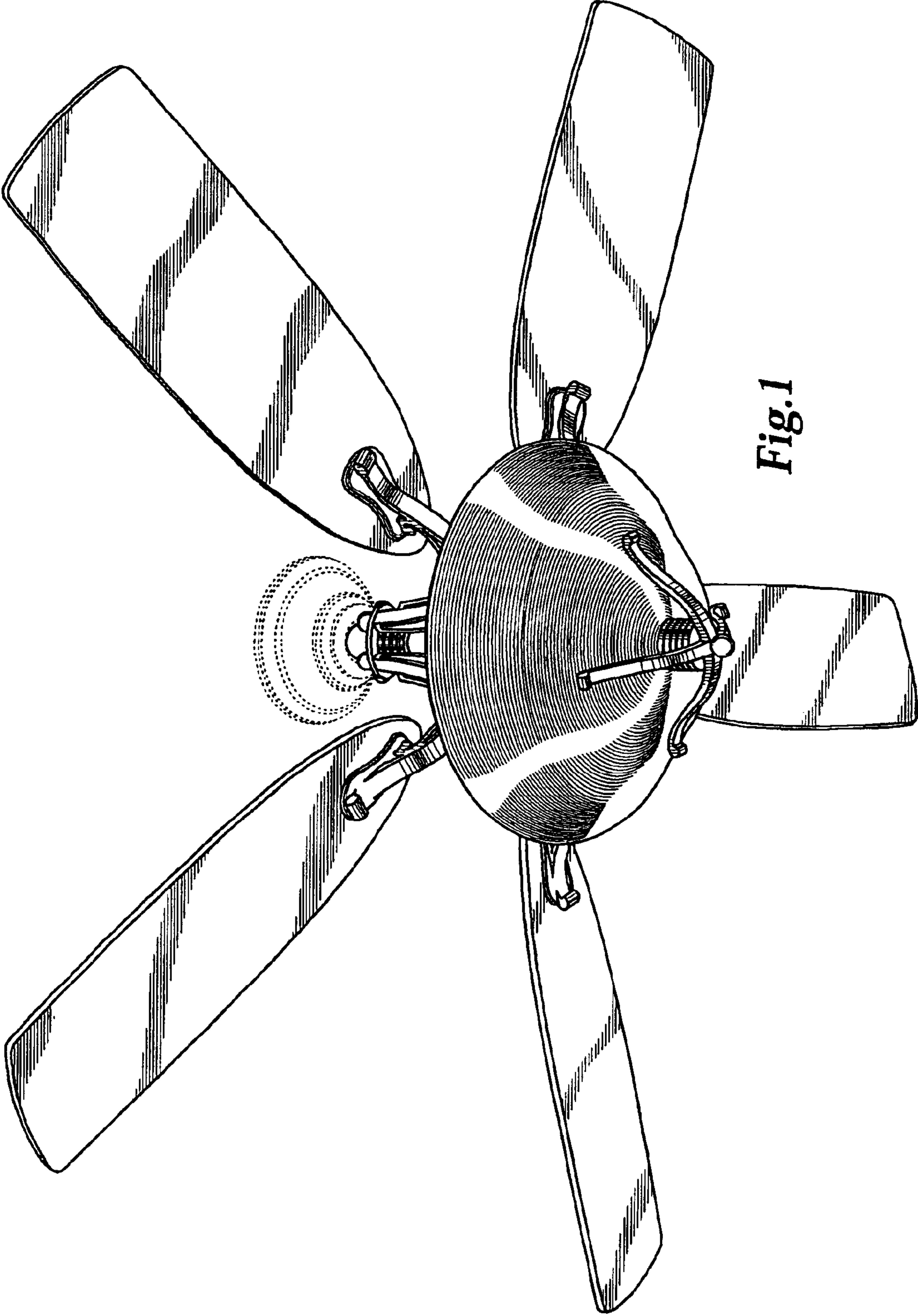


Fig. 1

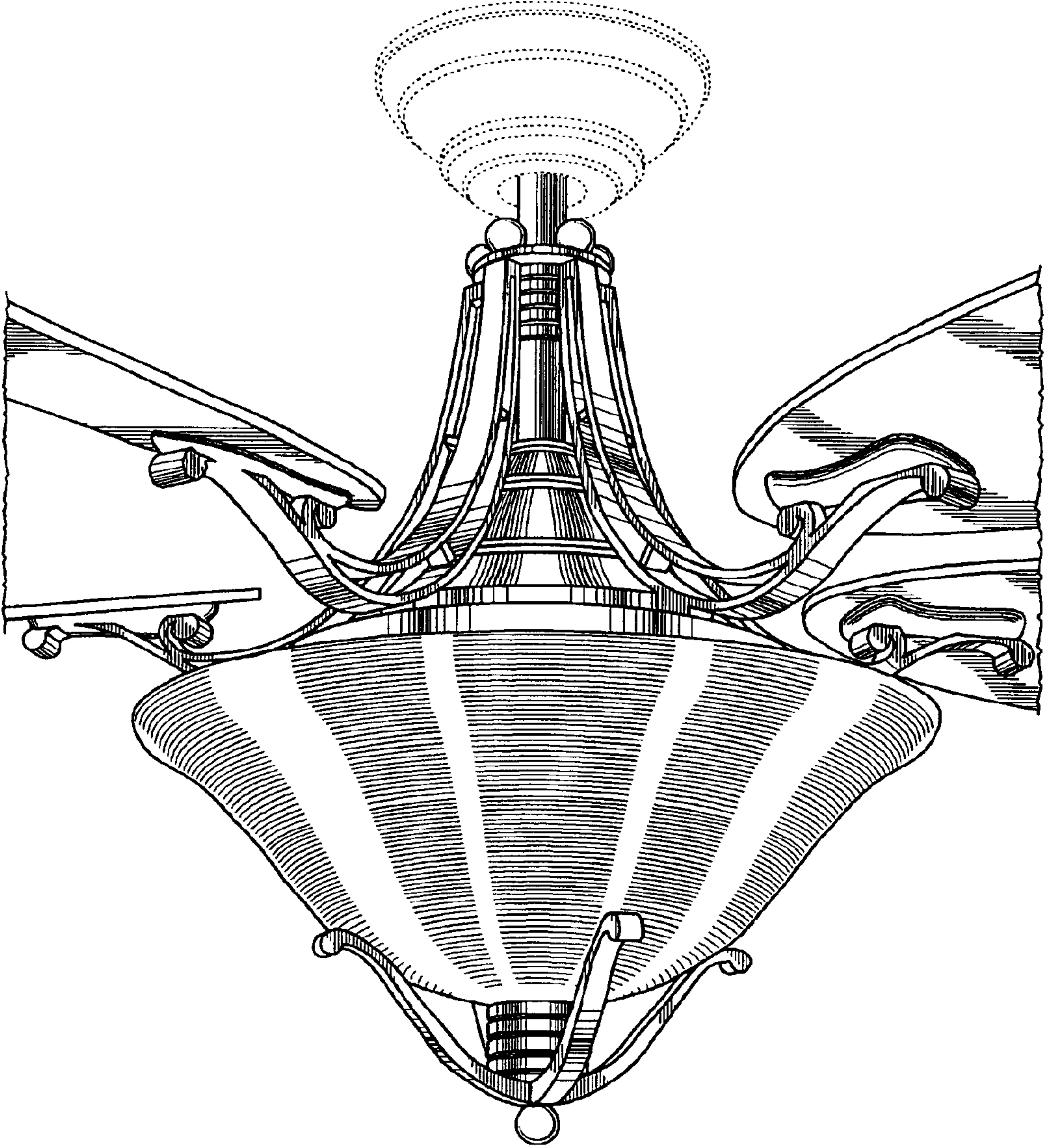


Fig.2

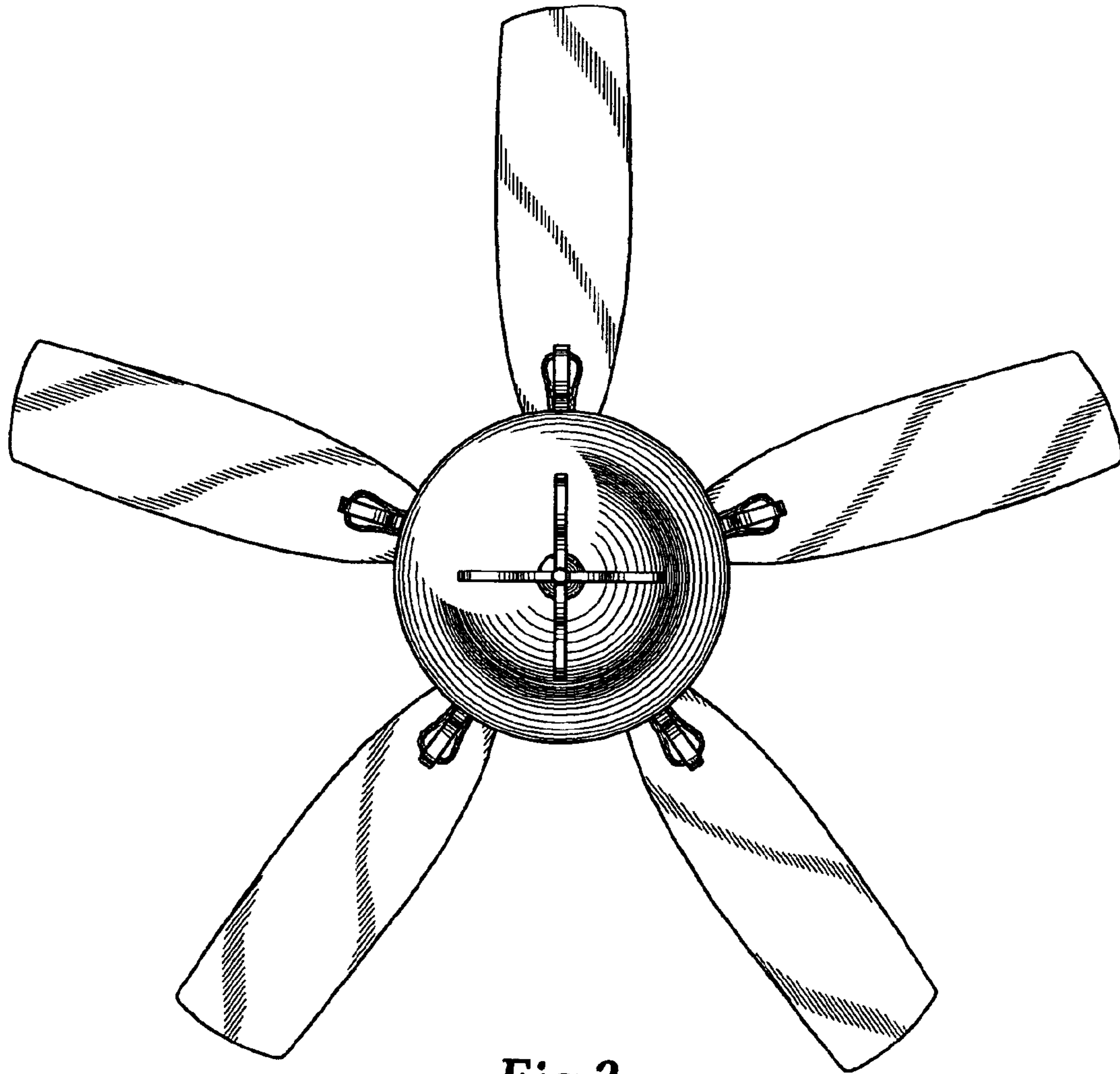


Fig.3

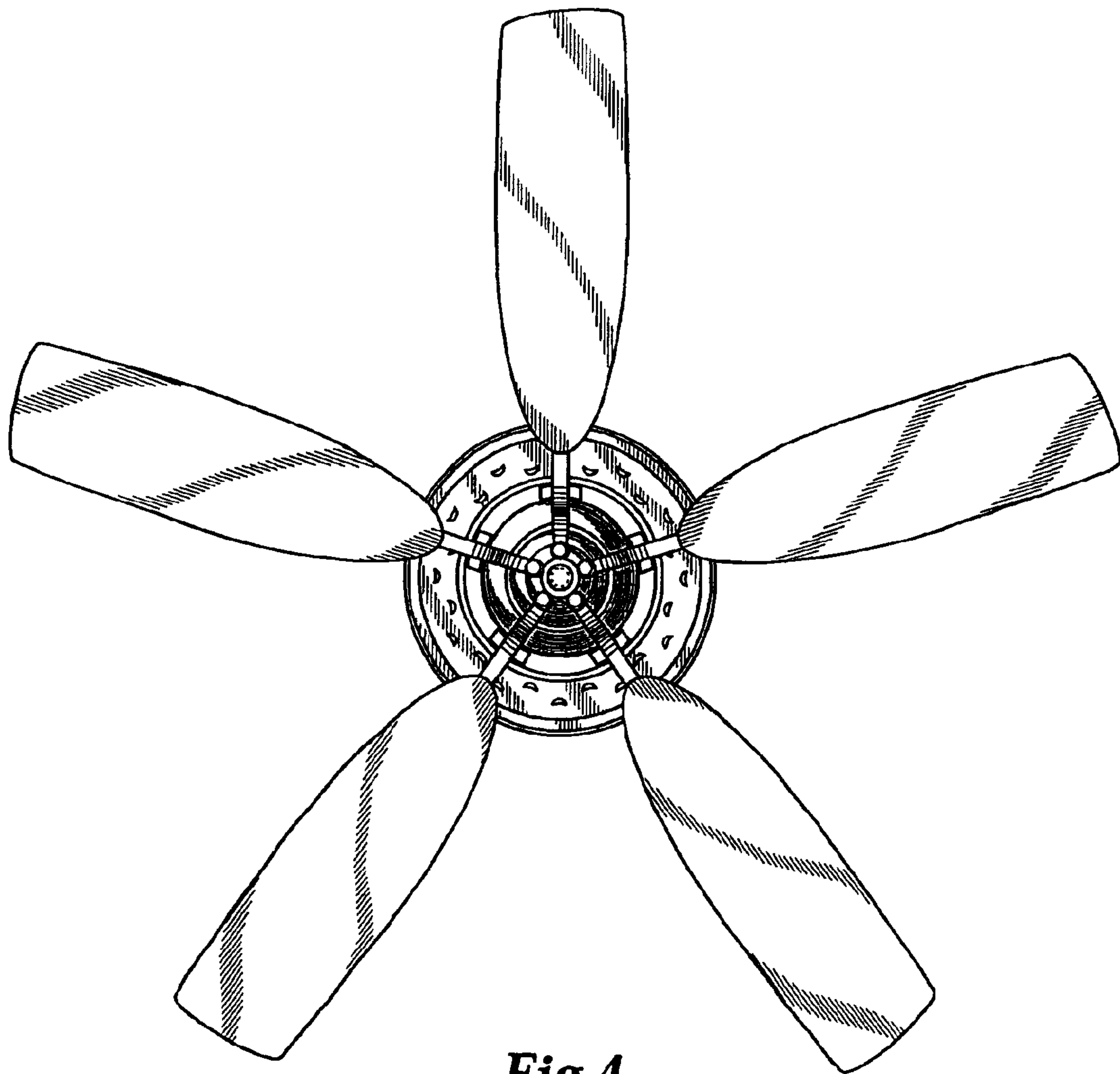


Fig.4

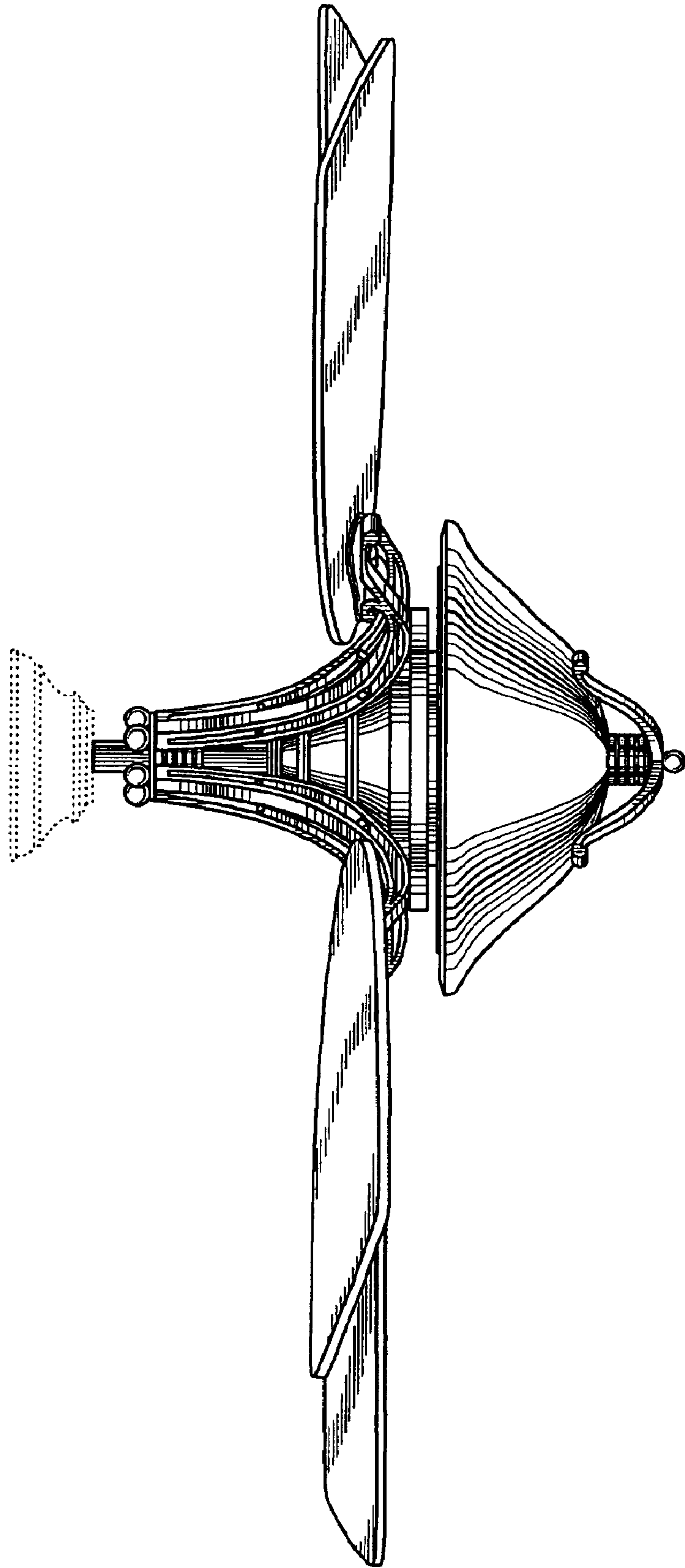


Fig. 5

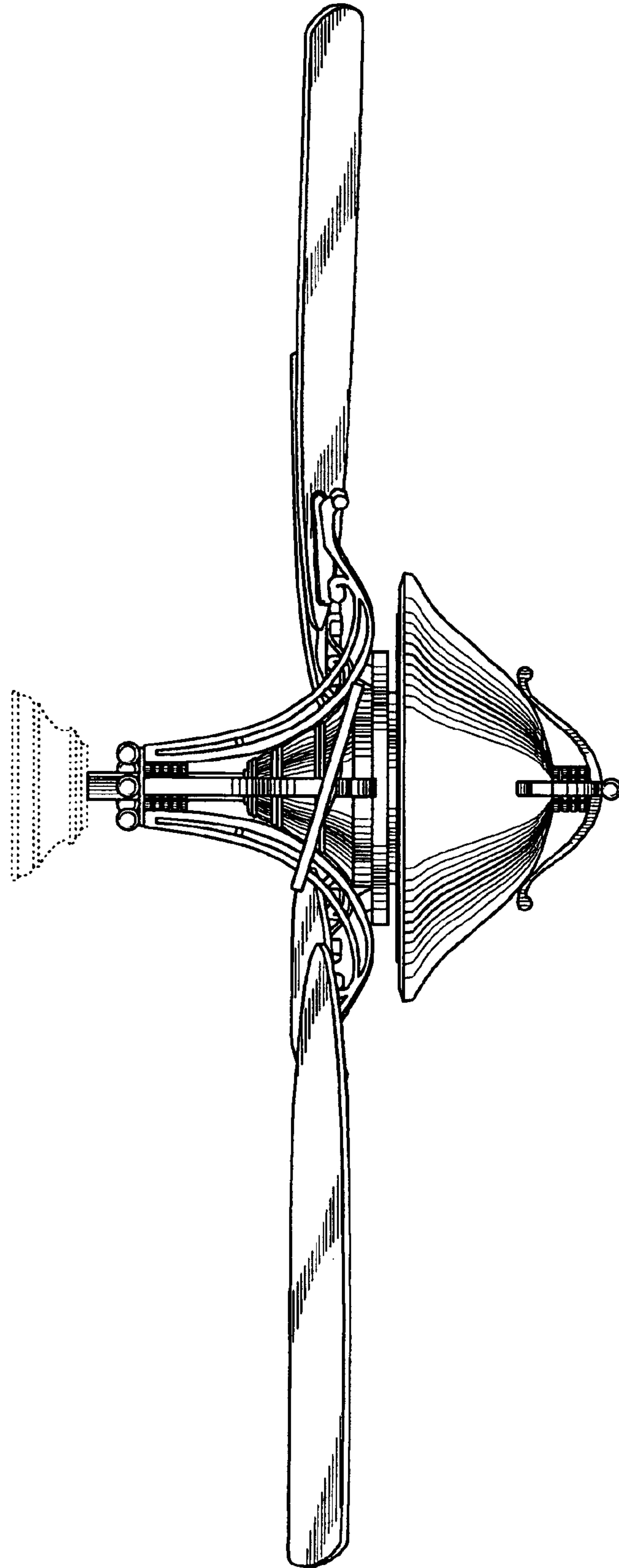


Fig.6