



US00D504501S

(12) **United States Design Patent**  
**Young**

(10) **Patent No.:** **US D504,501 S**  
(45) **Date of Patent:** **\*\* Apr. 26, 2005**

(54) **CEILING FAN**

(75) Inventor: **Stanfield Young**, Garden Grove, CA  
(US)

(73) Assignee: **Minka Lighting, Inc.**, Corona, CA  
(US)

(\*\*) Term: **14 Years**

(21) Appl. No.: **29/193,321**

(22) Filed: **Nov. 7, 2003**

(51) **LOC (7) Cl.** ..... **23-04**

(52) **U.S. Cl.** ..... **D23/377**

(58) **Field of Search** ..... D23/377, 411,  
D23/379, 385, 413; 416/5; D26/59, 51,  
72, 81-88

(56) **References Cited**

**U.S. PATENT DOCUMENTS**

- D376,421 S 12/1996 Jaspers-Fayer ..... D23/377
- D378,404 S \* 3/1997 Jaspers-Fayer ..... D23/377
- D410,100 S \* 5/1999 Jaspers-Fayer ..... D26/59

**OTHER PUBLICATIONS**

Minka Aire Two Thousand; pp. 22,23, Dec. 1, 1999, Minka  
Lighting, Inc. USA.

\* cited by examiner

*Primary Examiner*—Lisa Lichtenstein  
(74) *Attorney, Agent, or Firm*—Baker & McKenzie LLP

(57) **CLAIM**

The ornamental design for a ceiling fan, as shown and  
described.

**DESCRIPTION**

FIG. 1 is a perspective view from below of a ceiling fan in  
accordance with my design;

FIG. 2 is an enlarged perspective view from below of a  
ceiling fan in accordance with my design;

FIG. 3 is a bottom plan view of the ceiling fan in accordance  
with my design;

FIG. 4 is a top plan view of the ceiling fan in accordance  
with my design;

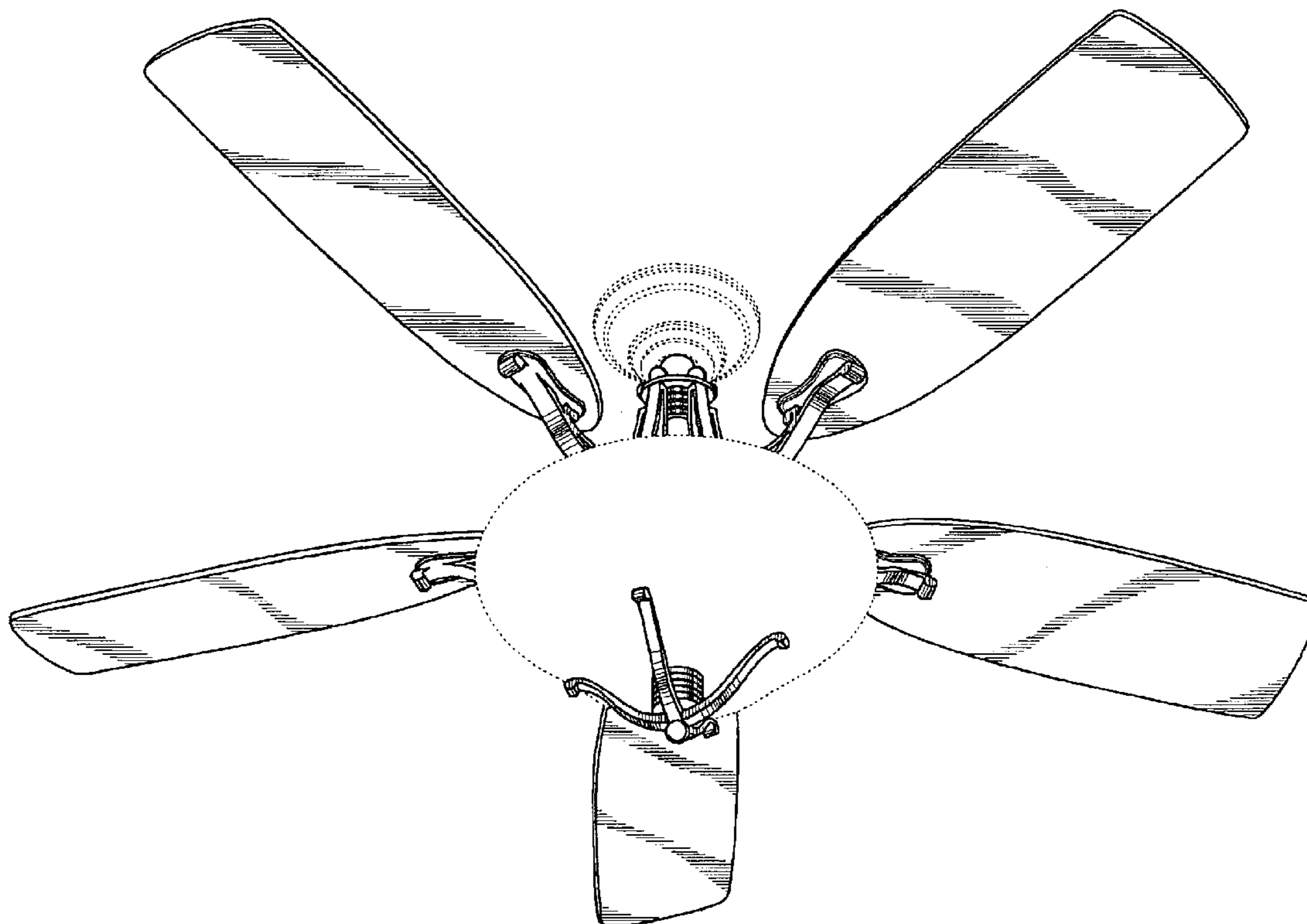
FIG. 5 is a front elevation view of the ceiling fan in  
accordance with my design; and,

FIG. 6 is a side elevation view of the ceiling fan in  
accordance with my design.

FIGS. 5 and 6 are identical except for the positioning of the  
fan blades.

The broken lines showing environmental structure are for  
illustrative purposes and form no part of the claimed design.

**1 Claim, 6 Drawing Sheets**



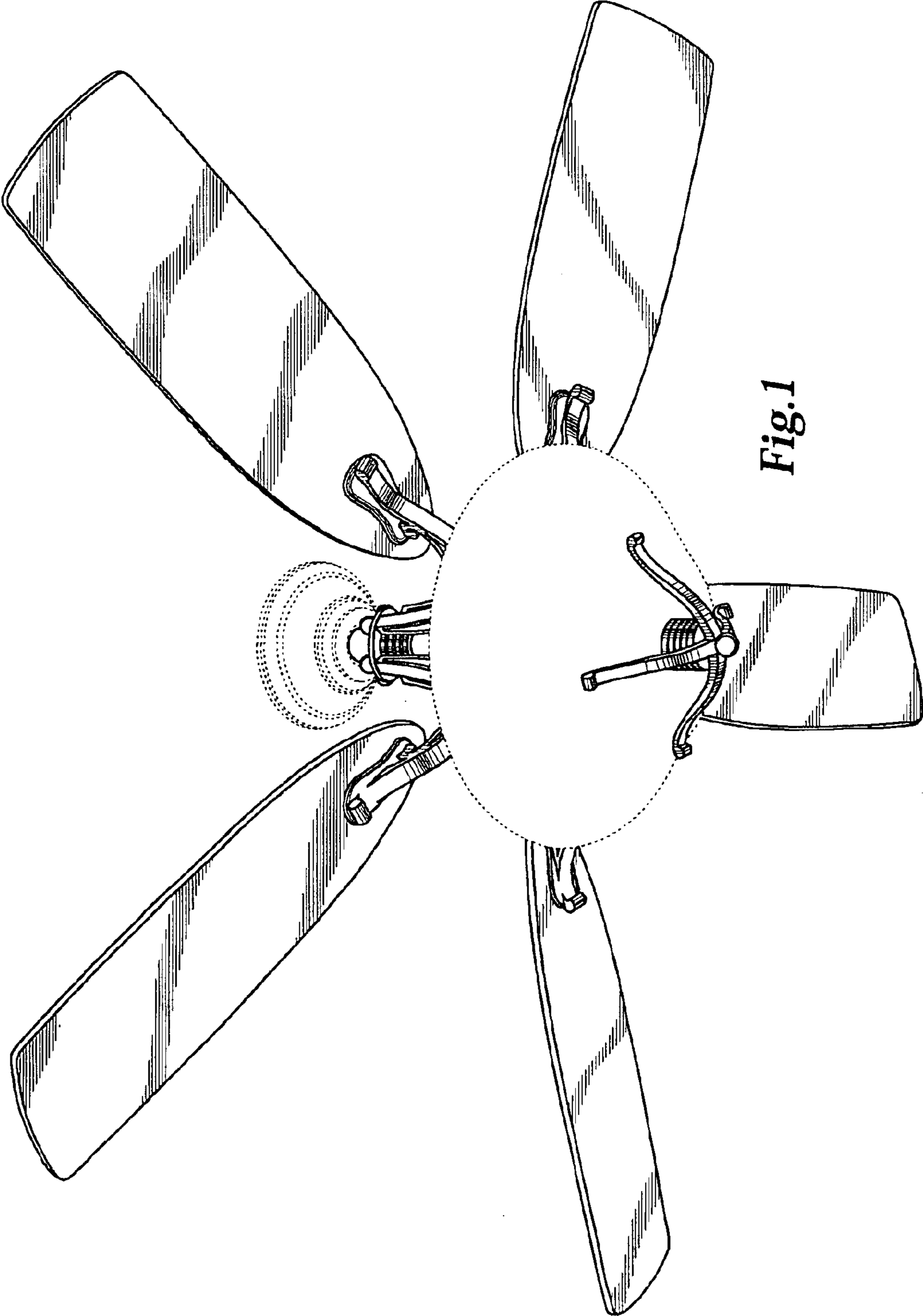
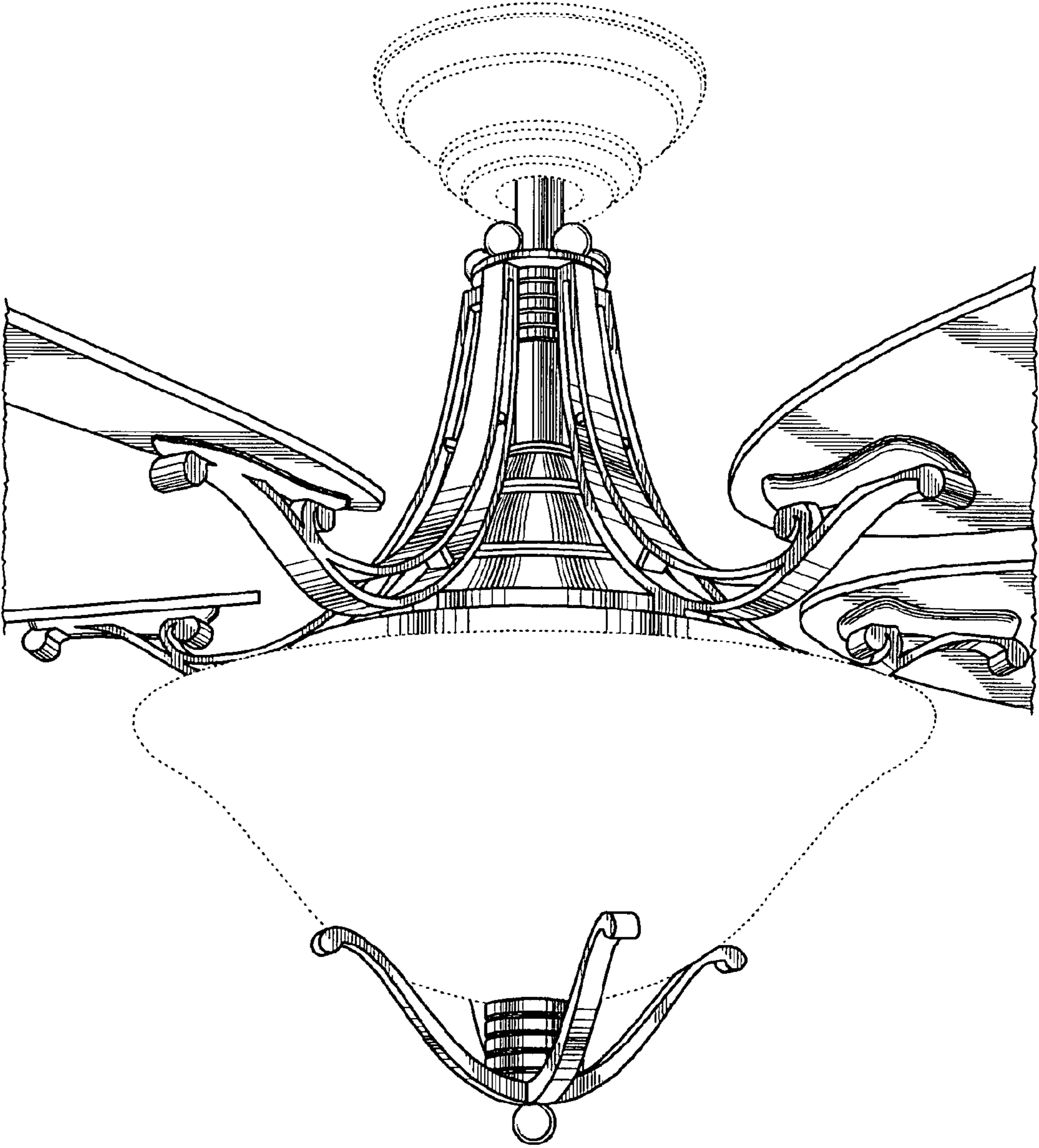
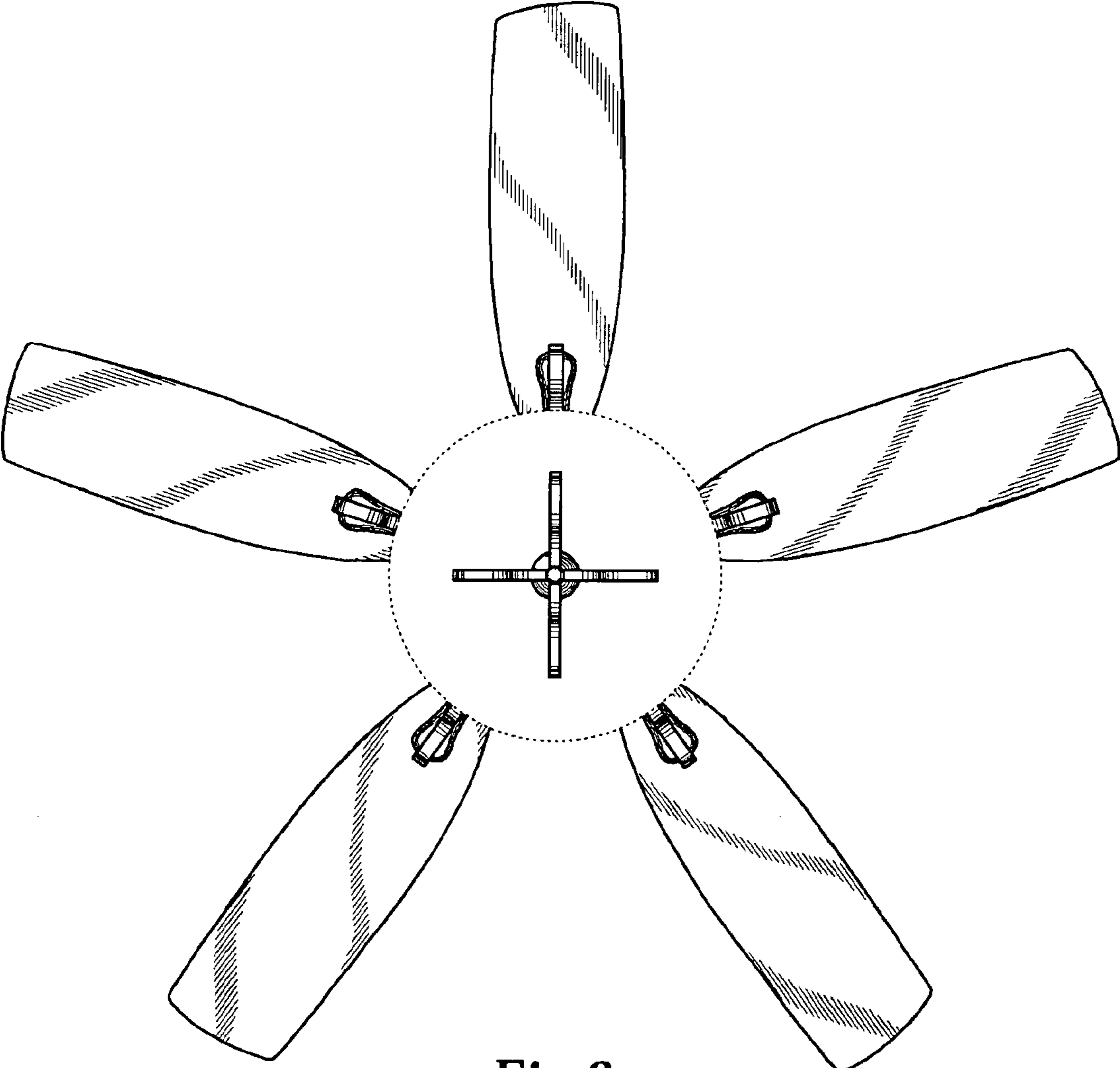


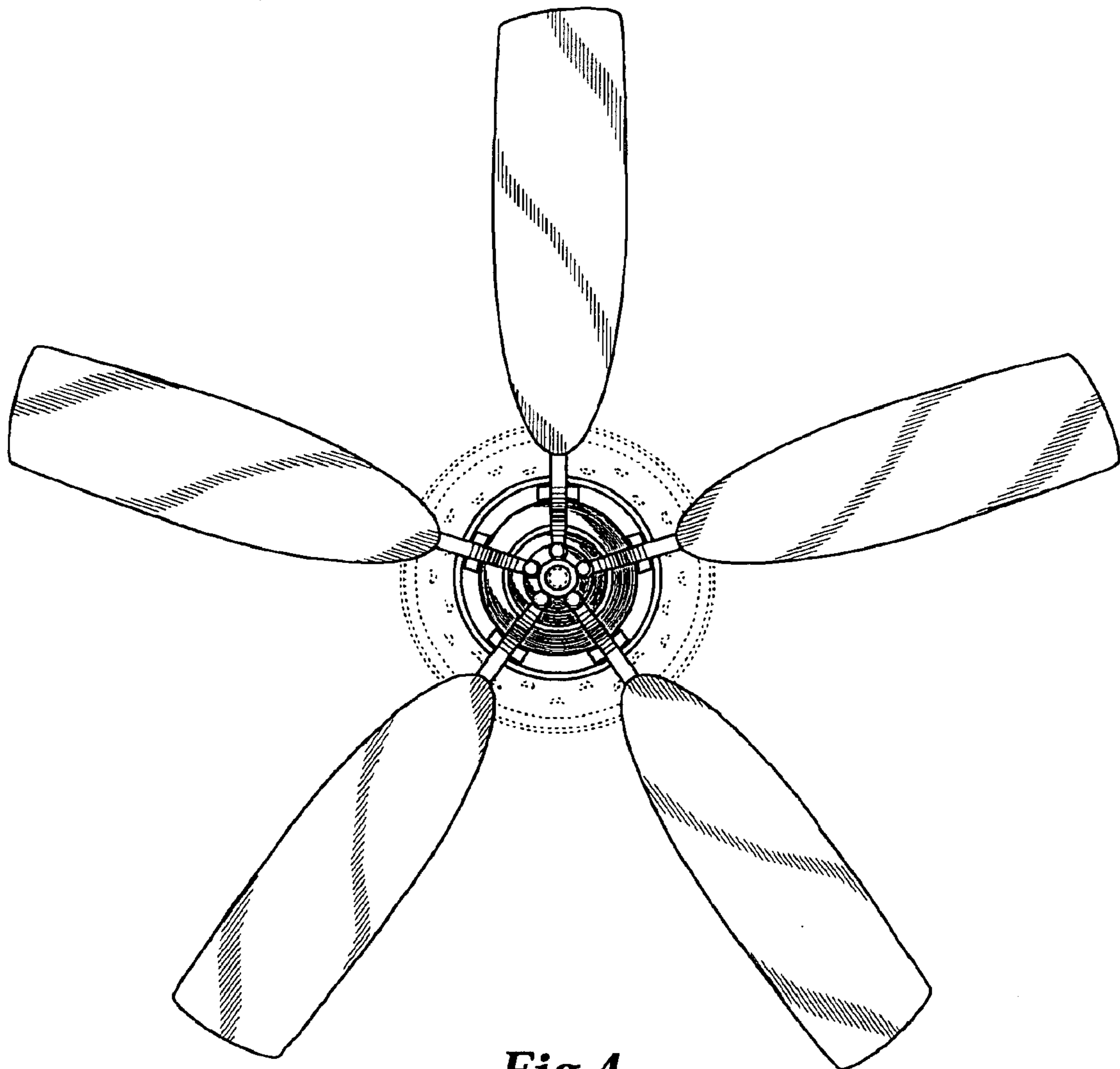
Fig. 1



*Fig.2*



*Fig.3*



*Fig. 4*

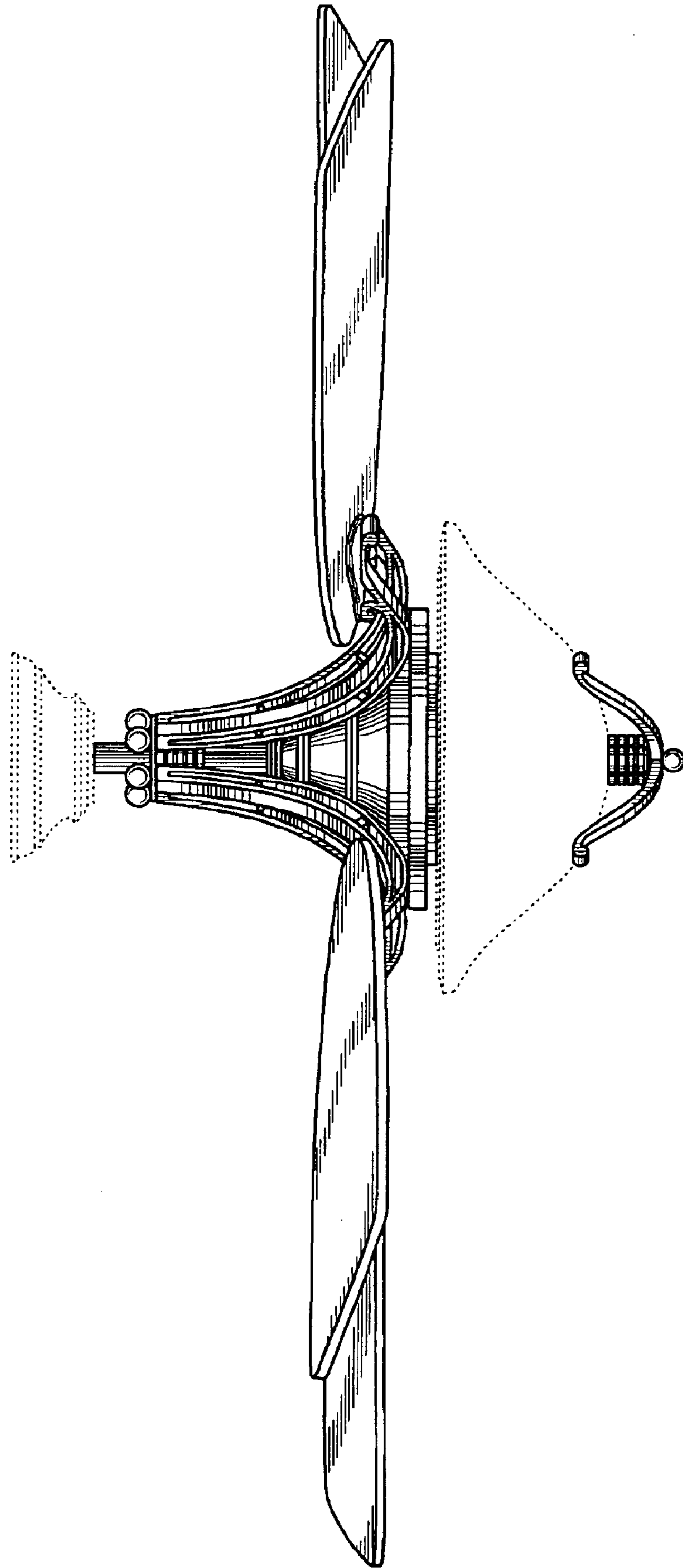


Fig. 5

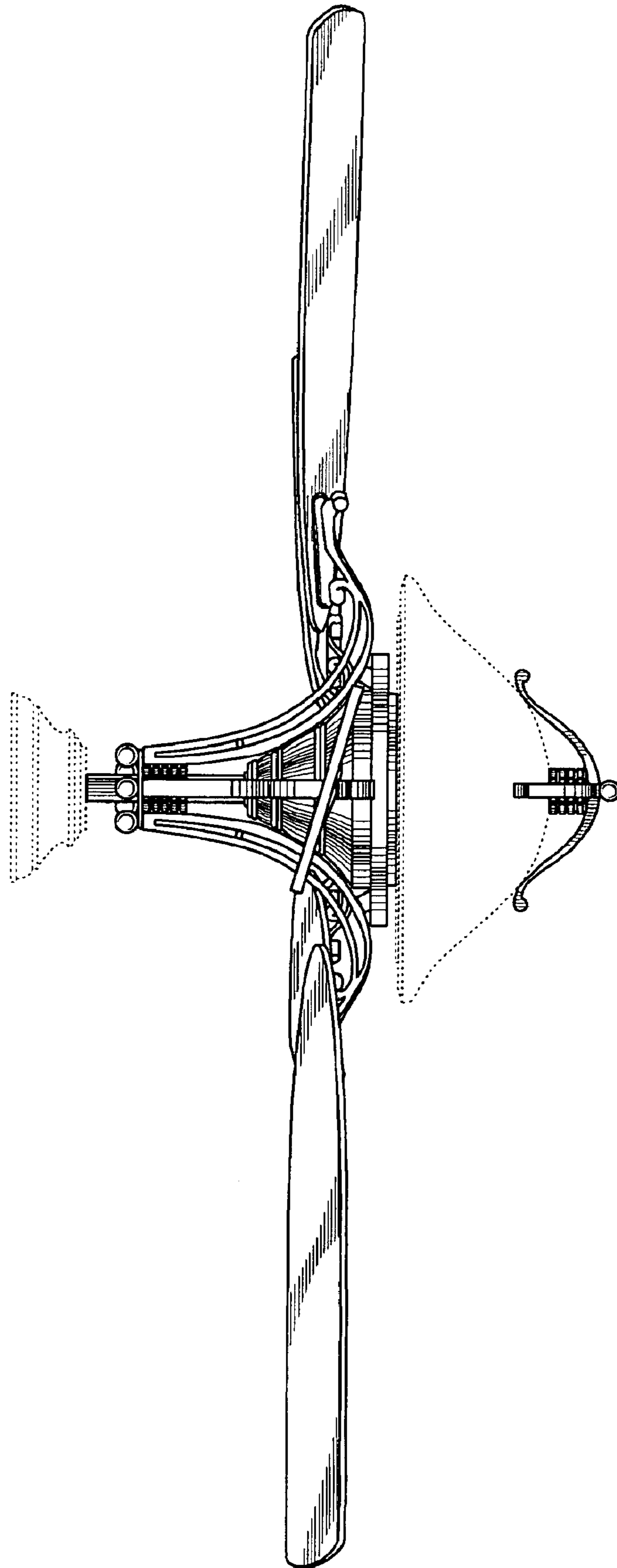


Fig. 6