

US00D504497S

(12) **United States Design Patent**
Piatt

(10) **Patent No.:** **US D504,497 S**

(45) **Date of Patent:** **** Apr. 26, 2005**

(54) **LAVATORY**

(75) **Inventor:** **James M. Piatt**, Sheboygan Falls, WI (US)

(73) **Assignee:** **Kohler Co.**, Kohler, WI (US)

(**) **Term:** **14 Years**

(21) **Appl. No.:** **29/211,874**

(22) **Filed:** **Aug. 20, 2004**

Related U.S. Application Data

(60) Division of application No. 29/189,668, filed on Sep. 9, 2003, now Pat. No. Des. 495,039, which is a division of application No. 29/158,619, filed on Apr. 4, 2002, now Pat. No. Des. 479,586, which is a continuation-in-part of application No. 29/153,935, filed on Oct. 26, 2001, now Pat. No. Des. 486,208.

(51) **LOC (7) Cl.** **23-02**

(52) **U.S. Cl.** **D23/293.1**

(58) **Field of Search** D23/270-274,
D23/283-284, 286-287, 291-292, 293.1,
304, 308; 4/553, 619, 557-558, 596-604,
612-614, 622, 629-630, 638, 660, 650-652,
632

(56) **References Cited**

U.S. PATENT DOCUMENTS

D35,008 S	8/1901	Clow	D23/293.01
998,742 A	7/1911	Berkley	4/652 X
2,389,724 A	11/1945	Falco	4/612 X
2,532,769 A	12/1950	Haupt	4/632
2,902,700 A	9/1959	Chambers	4/629
2,914,777 A	12/1959	Parson	4/628
3,038,172 A	6/1962	Fritz et al.	4/638 X
3,376,583 A	4/1968	Frey	4/638
D218,606 S	9/1970	Lein	D23/284

(Continued)

OTHER PUBLICATIONS

2000 Kohler catalog ad, p. 11.23, showing "Memoirs" shower receptors.

Jul. 2001 Kohler catalog ad, p. 8.3b, showing a "SOK" bath.

Primary Examiner—Robert A. Delehanty

(74) *Attorney, Agent, or Firm*—Quarles & Brady LLP

(57) **CLAIM**

The ornamental design for a lavatory, as shown and described.

DESCRIPTION

In a preferred embodiment, the nature of this product is as a plumbing fixture in the form of a lavatory which is primarily useful for washing the body parts of humans.

FIG. 1 is a left, top, front perspective view of a lavatory embodying my new design shown truncated with a mounting deck environment in dotted lines;

FIG. 2 is a front elevational view thereof, the rear elevational view thereof being a mirror image of the front view shown albeit with the mounting deck in dotted lines;

FIG. 3 is a top plan view thereof;

FIG. 4 is a left, top, front perspective view of another embodiment of a lavatory according to my new design, the front and rear elevational views thereof being similar to FIG. 2 and the top plan view being similar to FIG. 3 albeit with the back wall being as shown in this figure;

FIG. 5 is a left, top, front perspective view of another embodiment of a lavatory according to my new design;

FIG. 6 is a front elevational view thereof;

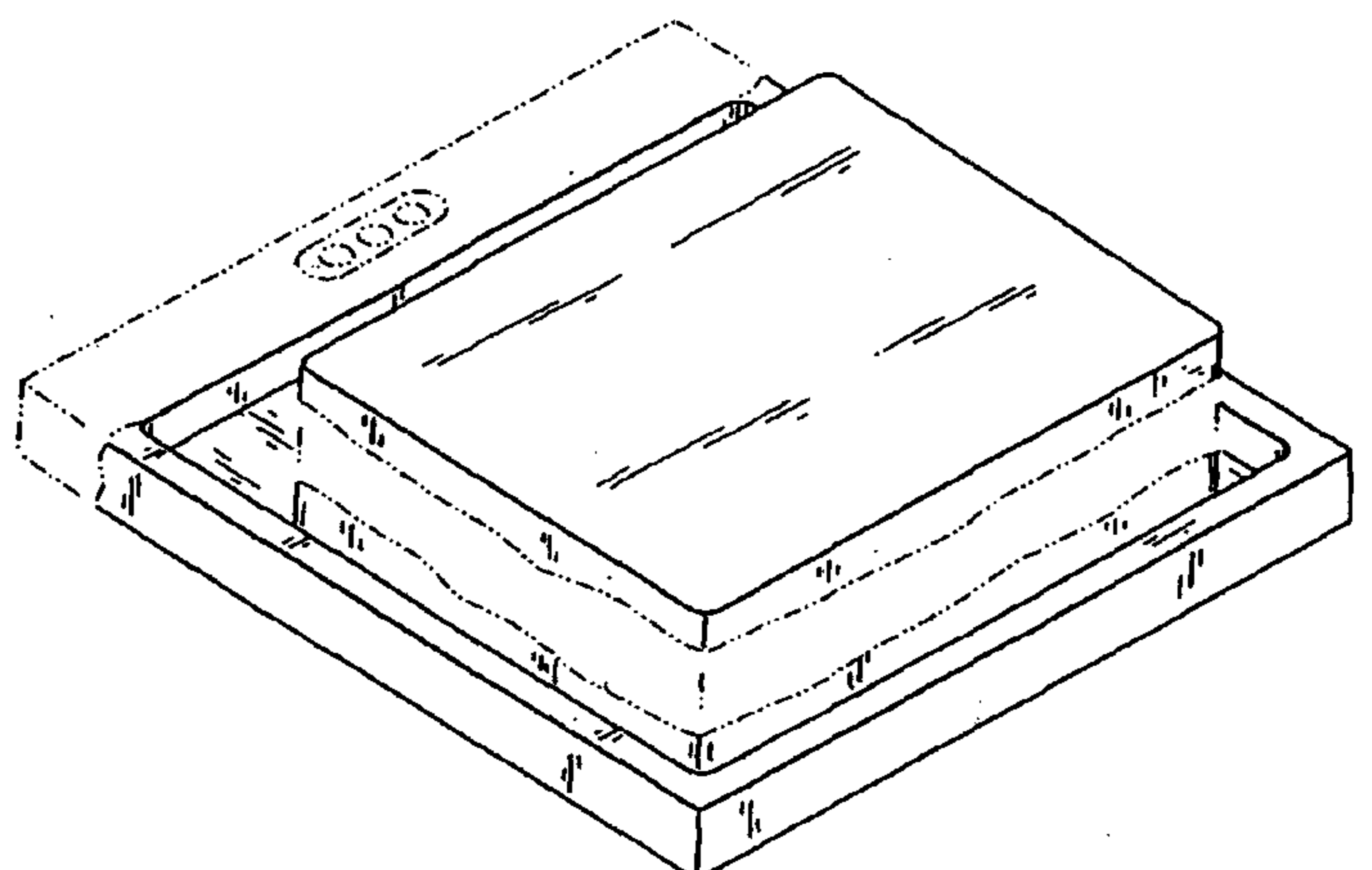
FIG. 7 is a top plan view thereof; and,

FIG. 8 is a left side elevational view thereof, the right side elevational view thereof being a mirror image of the left side shown.

The broken line representation of the mounting deck and holes in FIGS. 1 and 3 are for the purpose of illustration only, and form no part of the claimed design.

The broken line representations of a platform in FIGS. 1, 2, 4, 5, 6 and 8 are intended to represent variable height section members of the platform which may vary in height from one times to ten times the depth of the lavatory basin.

1 Claim, 4 Drawing Sheets



US D504,497 S

Page 2

U.S. PATENT DOCUMENTS

D244,030 S	4/1977	Tongish	D23/284	D332,829 S	1/1993	Belfor	D23/292
4,086,669 A	5/1978	Combis	4/622	D356,148 S	3/1995	Kohler, Jr. et al.	D23/293.1
4,689,841 A	9/1987	Owen	4/644	5,560,052 A	10/1996	Ferguson et al.	4/650
D298,452 S	11/1988	Carter	D23/293.1	5,628,484 A	5/1997	Lechuga	4/594
				D423,653 S	4/2000	Svendsen	D23/293.1
				D463,538 S	9/2002	Chipperfield	D23/284

FIG. 1

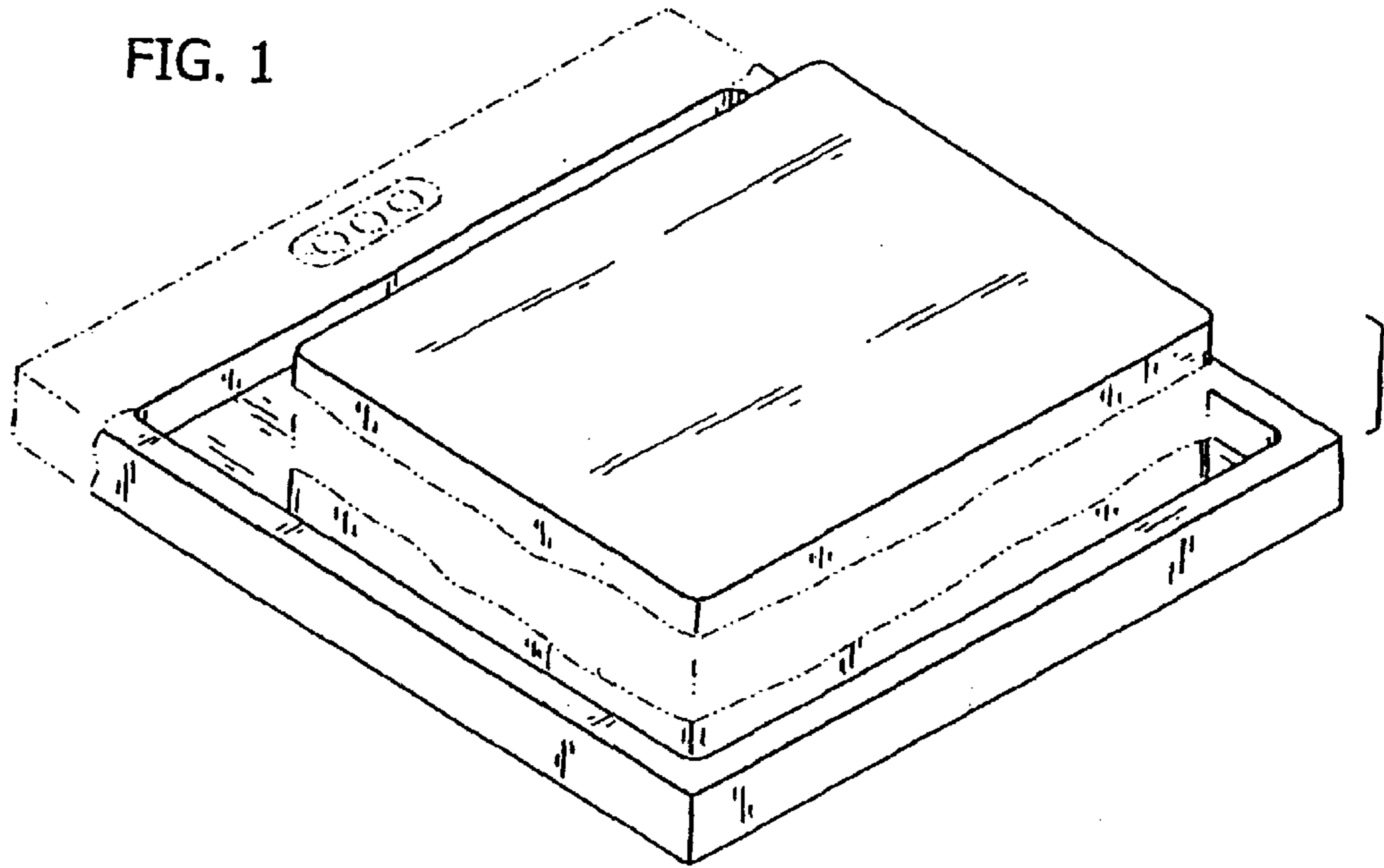


FIG. 2

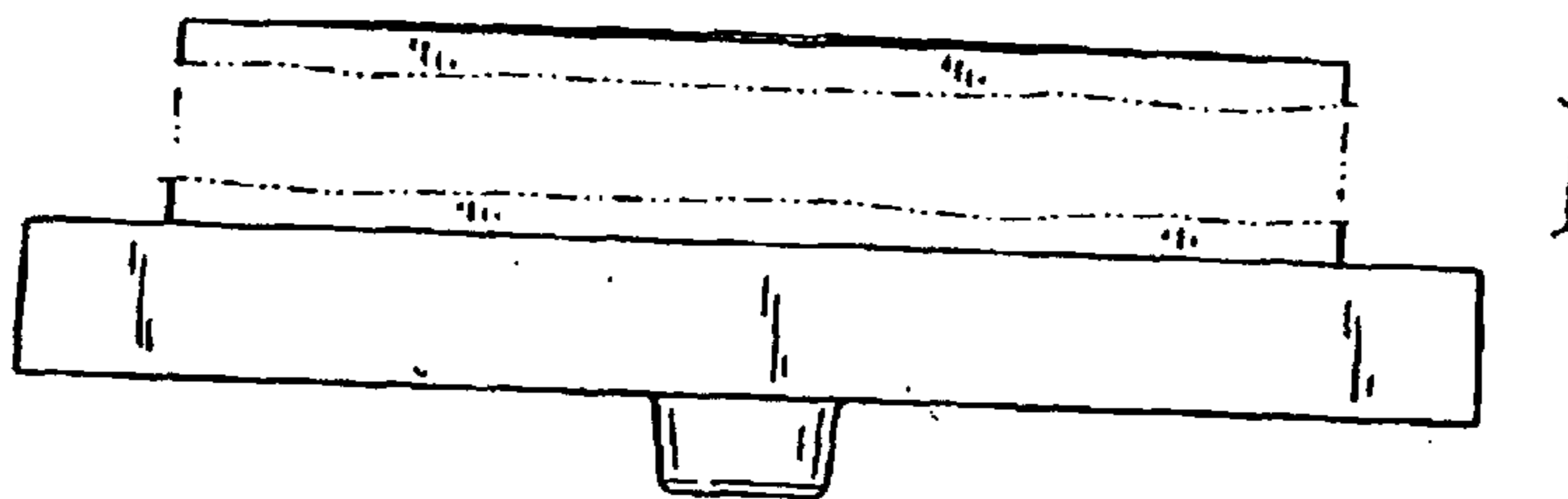


FIG. 3

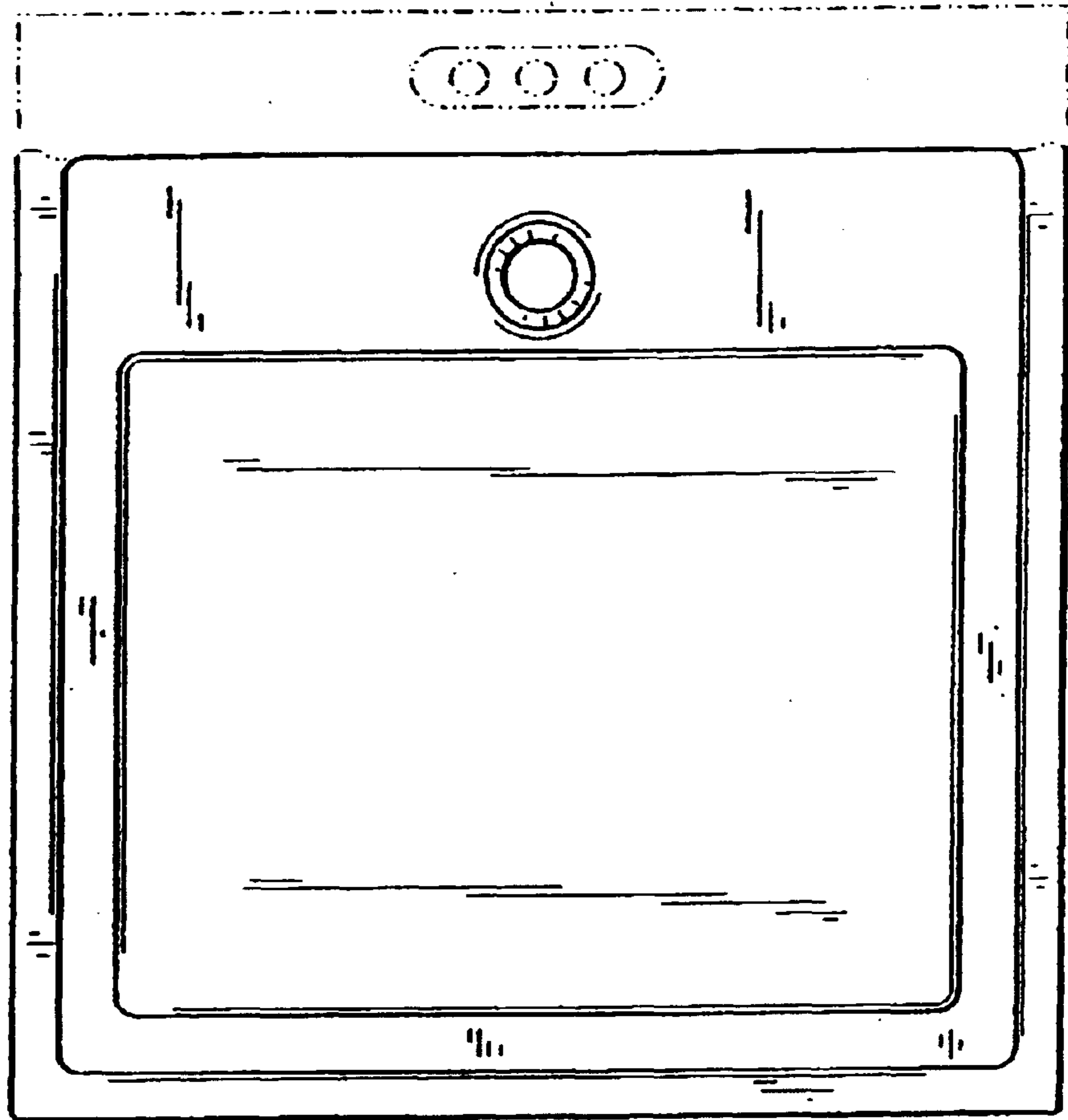


FIG. 8



FIG. 4

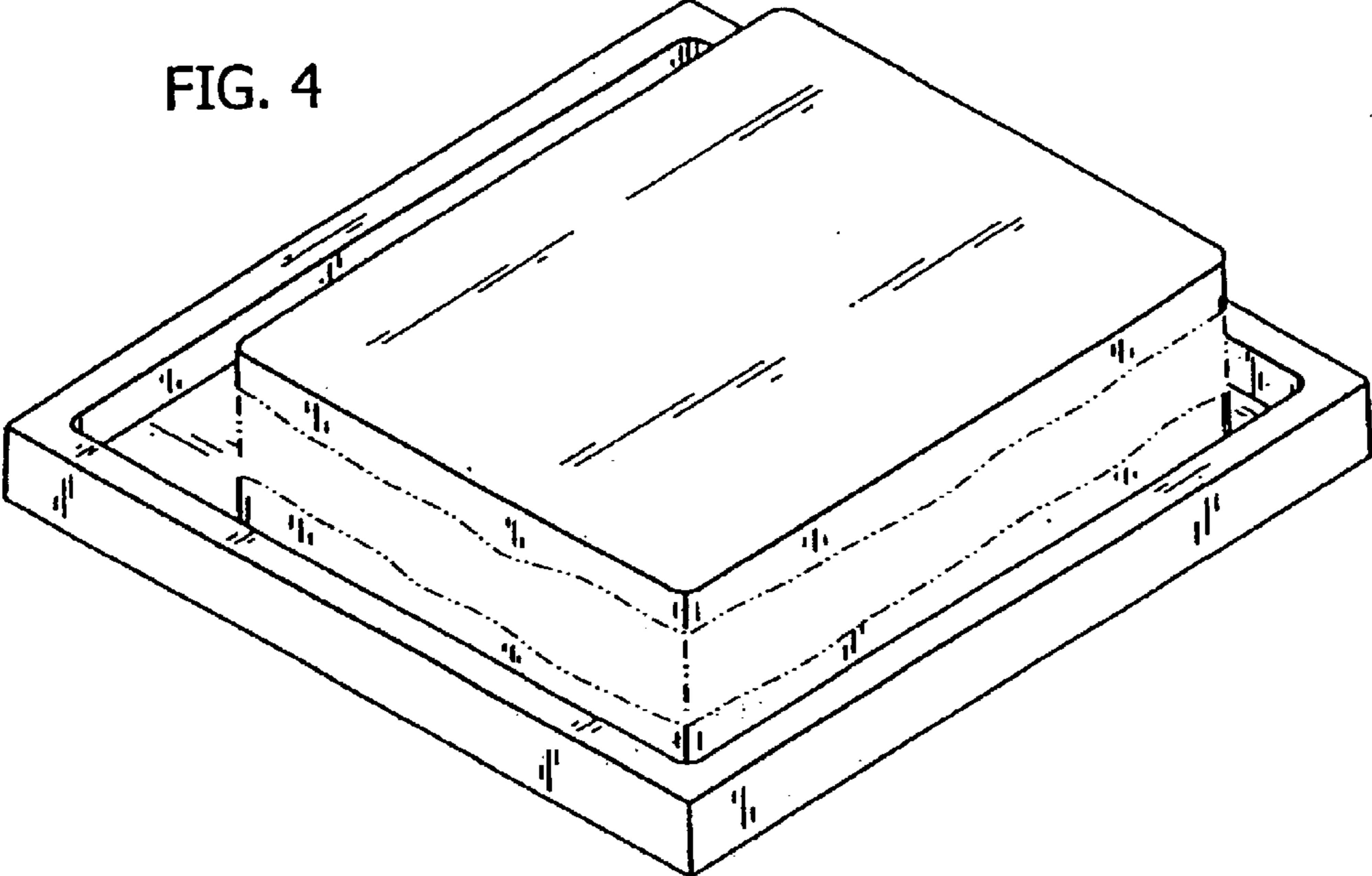


FIG. 5

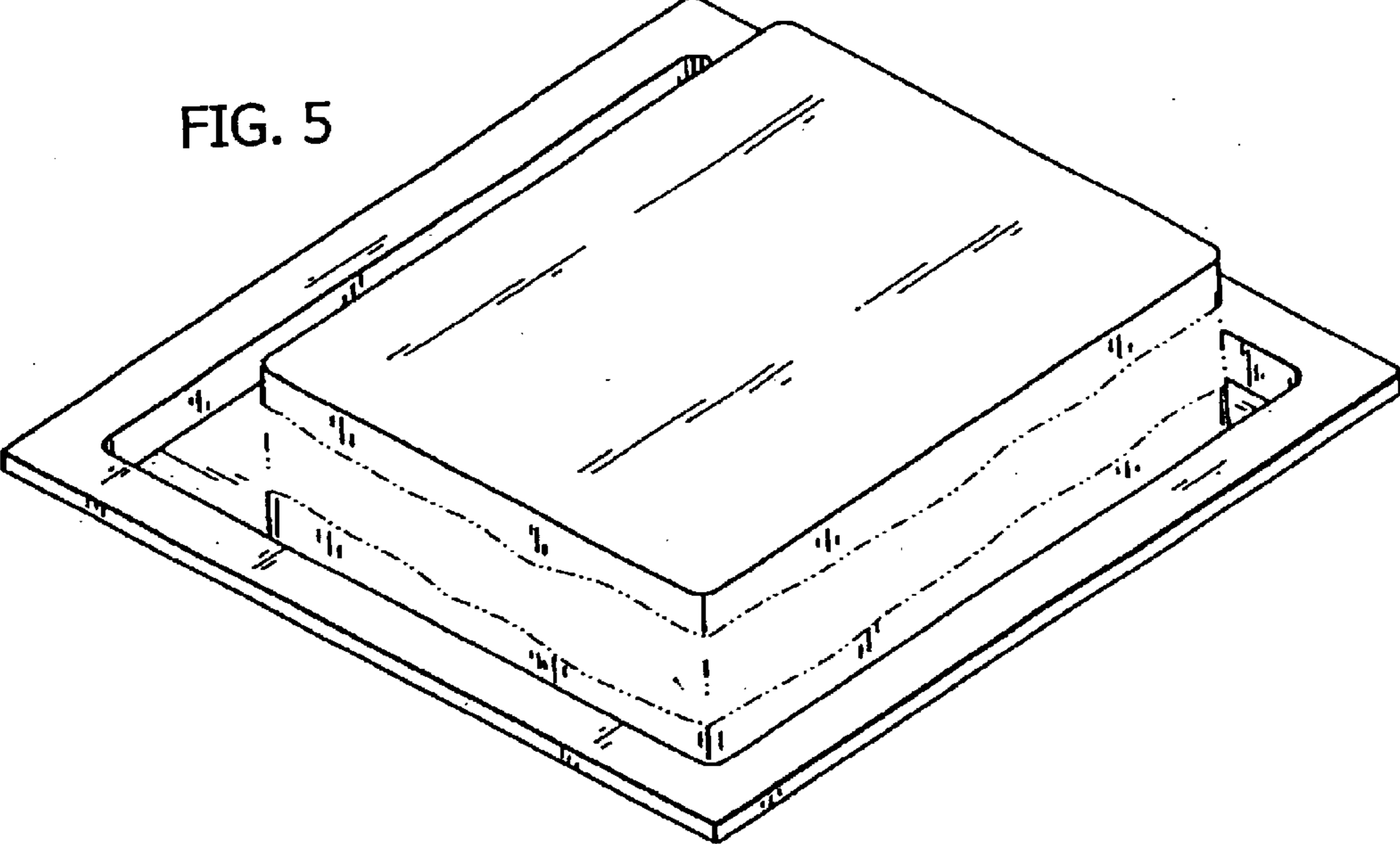


FIG. 6

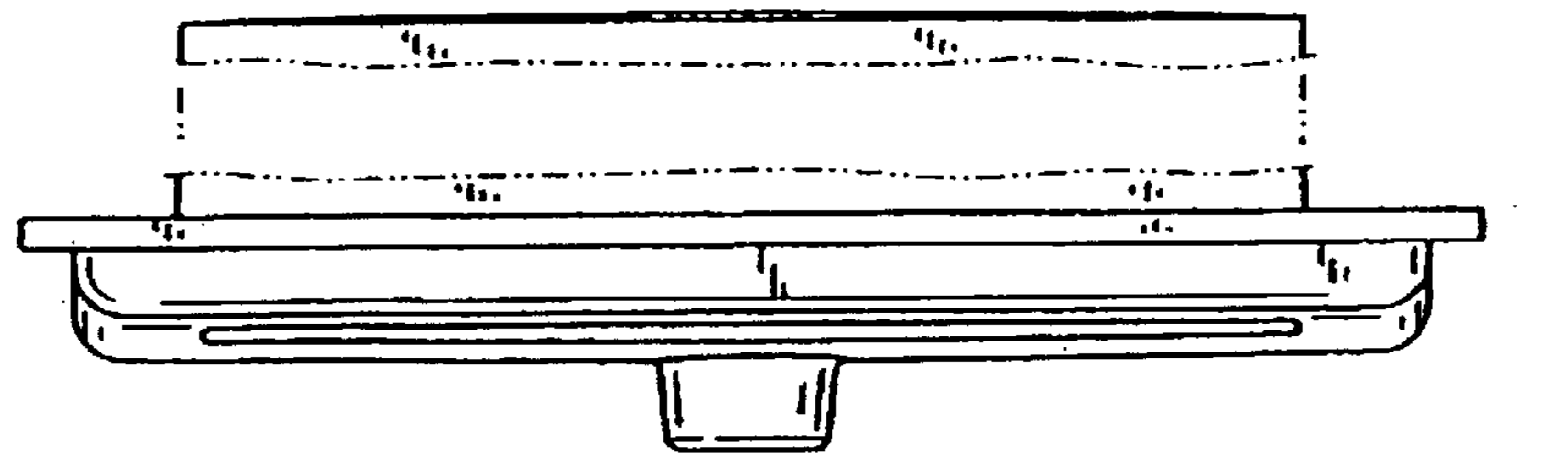


FIG. 7

