

US00D504494S

(12) **United States Design Patent**  
**Ide et al.**

(10) **Patent No.: US D504,494 S**  
(45) **Date of Patent: \*\* Apr. 26, 2005**

(54) **BULB COVER**

2003/0173094 A1 9/2003 Vinson et al. .... 169/37

(75) Inventors: **Stephen R. Ide**, Nazareth, PA (US);  
**Richard D. Schilling**, Breinigsville, PA (US)

**OTHER PUBLICATIONS**  
U.S. Appl. No. 10/641,546, filed Aug. 15, 2003, entitled Protective Cover for Frangible Bulb (Ide et al).

(73) Assignee: **Victaulic Company of America**, Easton, PA (US)

*Primary Examiner*—Robin V. Taylor  
(74) *Attorney, Agent, or Firm*—Synnestvedt & Lechner LLP

(\*\*) Term: **14 Years**

(57) **CLAIM**

(21) Appl. No.: **29/208,543**

The ornamental design for a bulb cover, as shown and described.

(22) Filed: **Jun. 30, 2004**

**Related U.S. Application Data**

**DESCRIPTION**

(62) Division of application No. 29/188,857, filed on Aug. 25, 2003.

FIG. 1 is a perspective view of a first embodiment of our design for a bulb cover;  
FIG. 2 is a left side view of the bulb cover shown in FIG. 1;  
FIG. 3 is a right side view of the bulb cover shown in FIG. 1;  
FIG. 4 is a top view of the bulb cover shown in FIG. 1;  
FIG. 5 is a bottom view of the bulb cover shown in FIG. 1;  
FIG. 6 is a front end view of the bulb cover shown in FIG. 1;  
FIG. 7 is a rear end view of the bulb cover shown in FIG. 1;  
FIG. 8 is a perspective view of a second embodiment of our design for a bulb cover;  
FIG. 9 is a left side view of the bulb cover shown in FIG. 8;  
FIG. 10 is a right side view of the bulb cover shown in FIG. 8;  
FIG. 11 is a top view of the bulb cover shown in FIG. 8;  
FIG. 12 is a bottom view of the bulb cover shown in FIG. 8;  
FIG. 13 is a front end view of the bulb cover shown in FIG. 8; and,  
FIG. 14 is a rear end view of the bulb cover shown in FIG. 8.

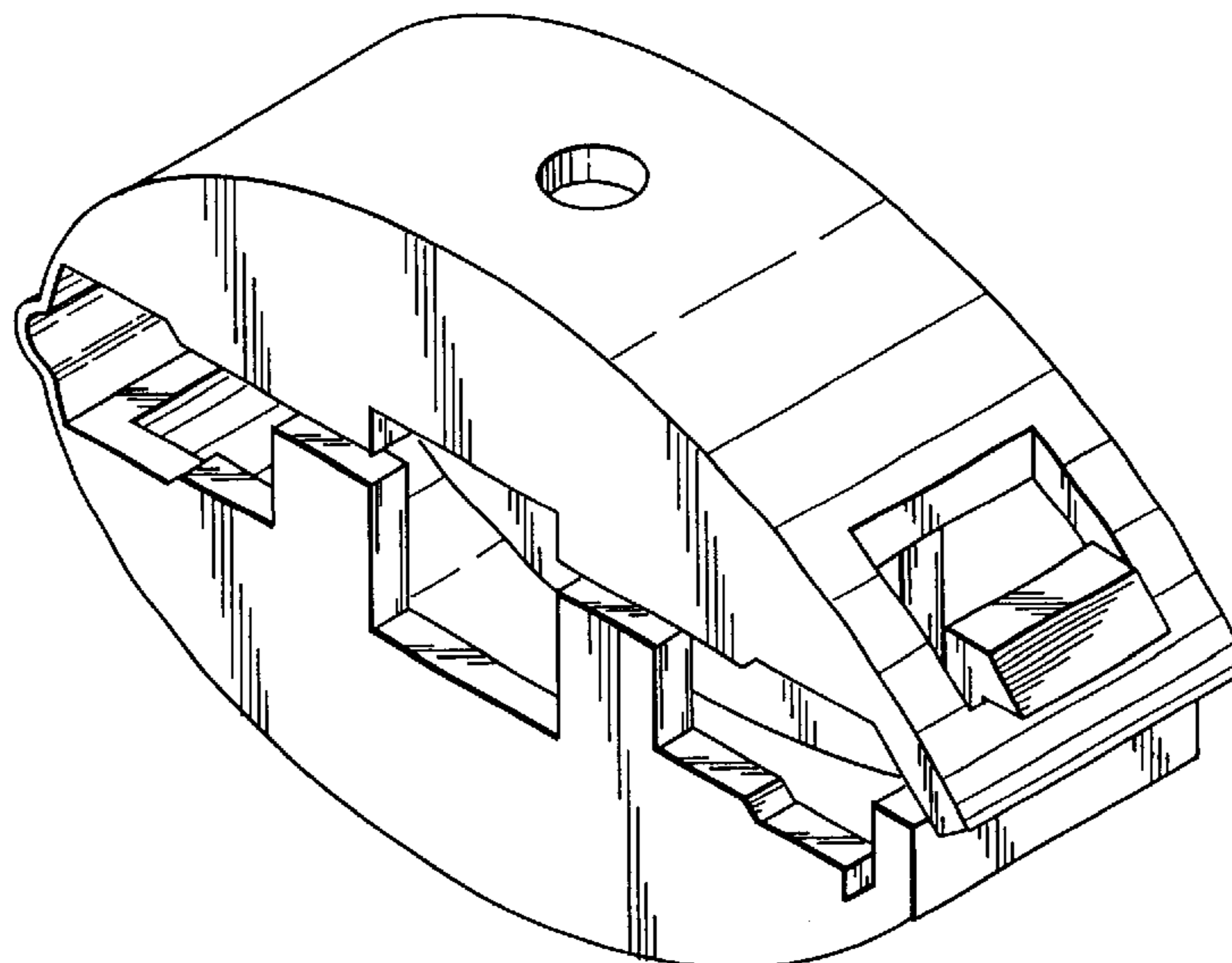
(51) **LOC (7) Cl.** ..... **23-01**  
(52) **U.S. Cl.** ..... **D23/227**  
(58) **Field of Search** ..... D23/213, 214,  
D23/227; 169/19, 37, 39; 239/288, 288.3,  
288.5

(56) **References Cited**

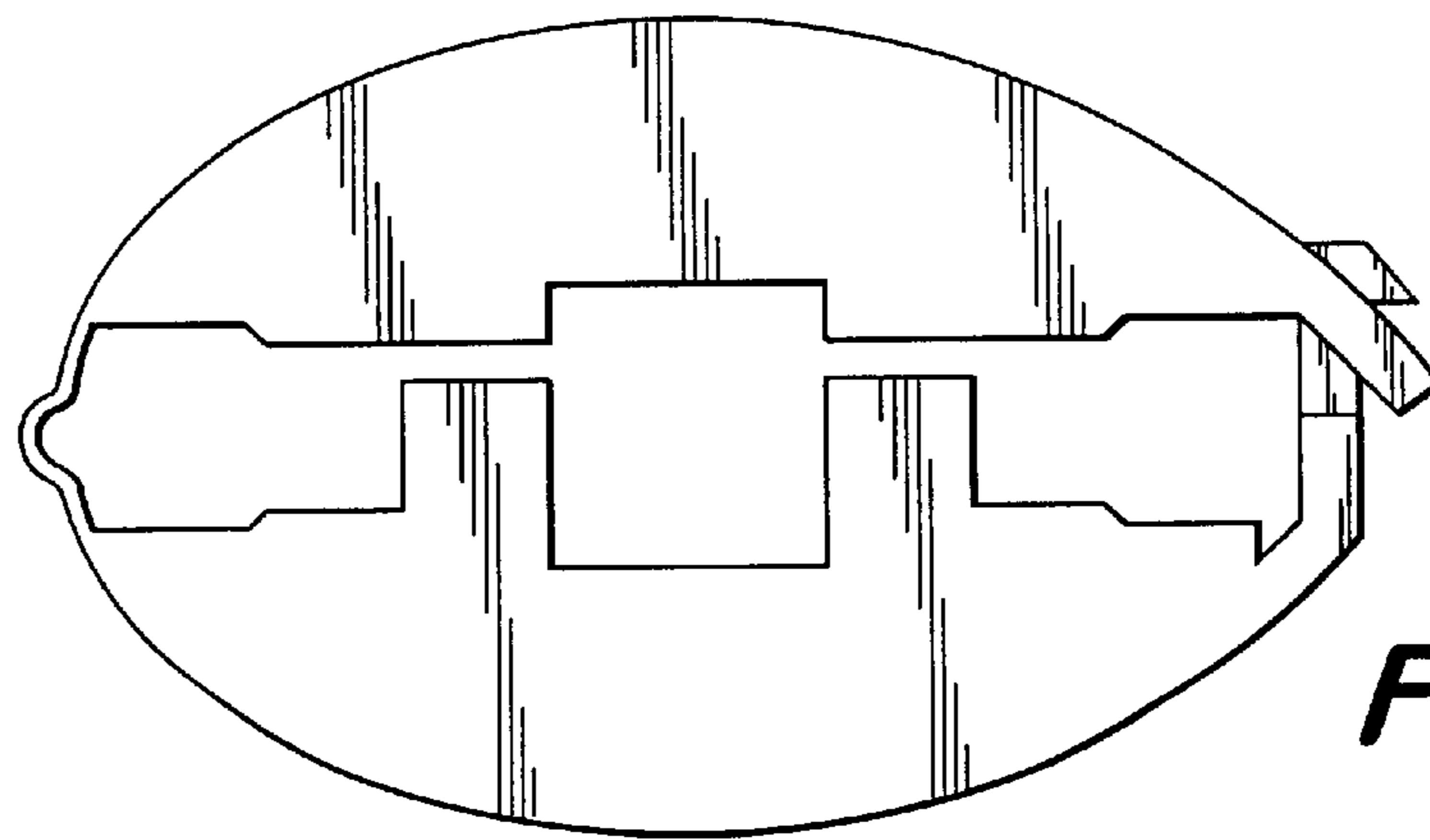
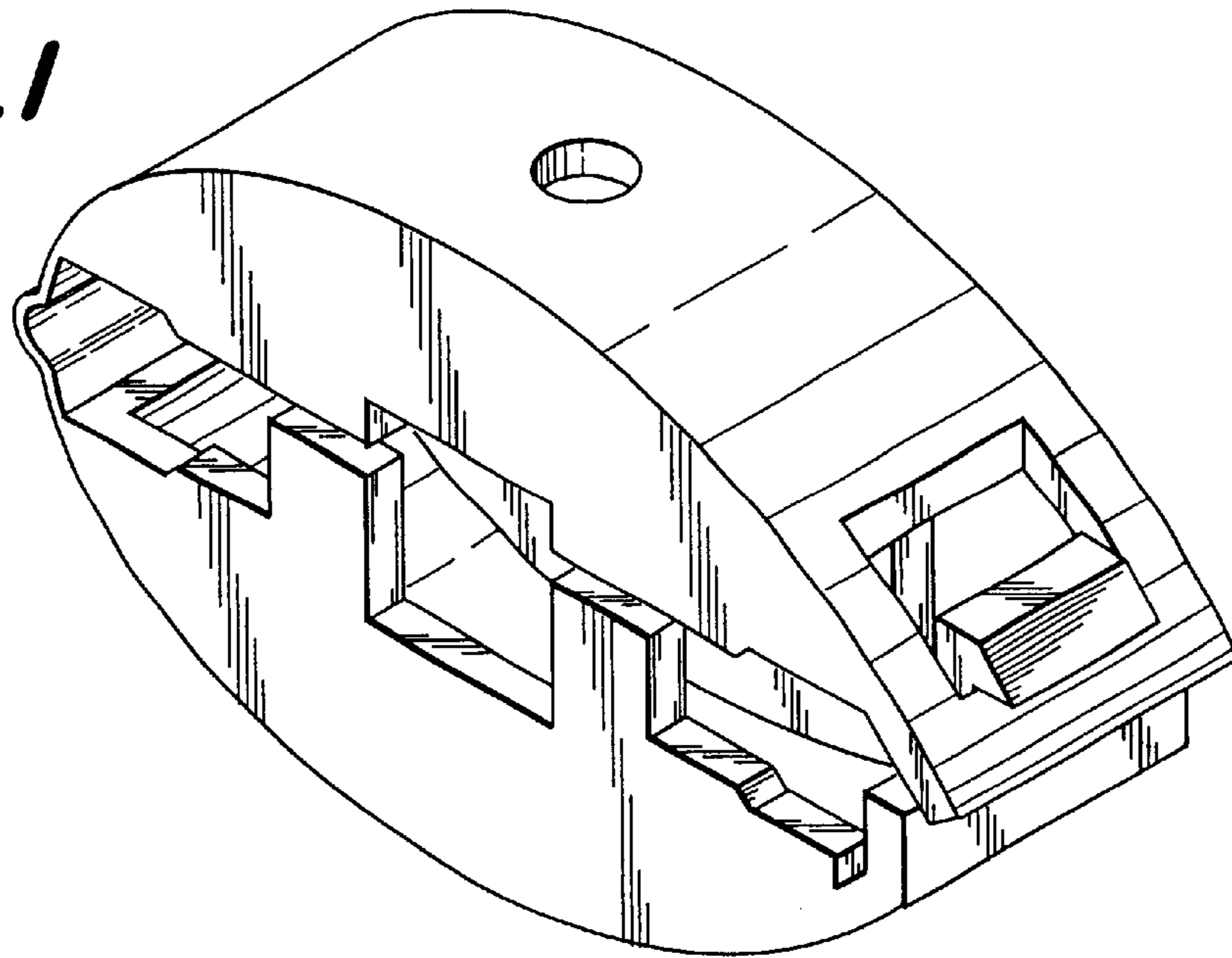
**U.S. PATENT DOCUMENTS**

432,403 A	7/1890	Grinnel	169/39
D26,255 S	11/1896	Esty	D23/214
D184,373 S	2/1959	Rider	D23/214
D210,457 S	3/1968	Mease	D23/214
3,388,747 A	6/1968	Hodnett	169/39
3,801,014 A	4/1974	Cantales	239/104
3,971,443 A	7/1976	Zenker	169/39
5,097,906 A	3/1992	Polan	169/37
5,234,059 A	8/1993	Eynon	169/39
5,447,338 A	9/1995	Kikuchi	285/46
5,570,745 A	11/1996	MacDonald, III	169/16
5,632,339 A	5/1997	Fenske et al.	169/37
5,743,337 A	4/1998	MacDonald, III	169/16
5,893,418 A	4/1999	Ponte	169/37
6,131,822 A	10/2000	Farmer, Jr.	239/288

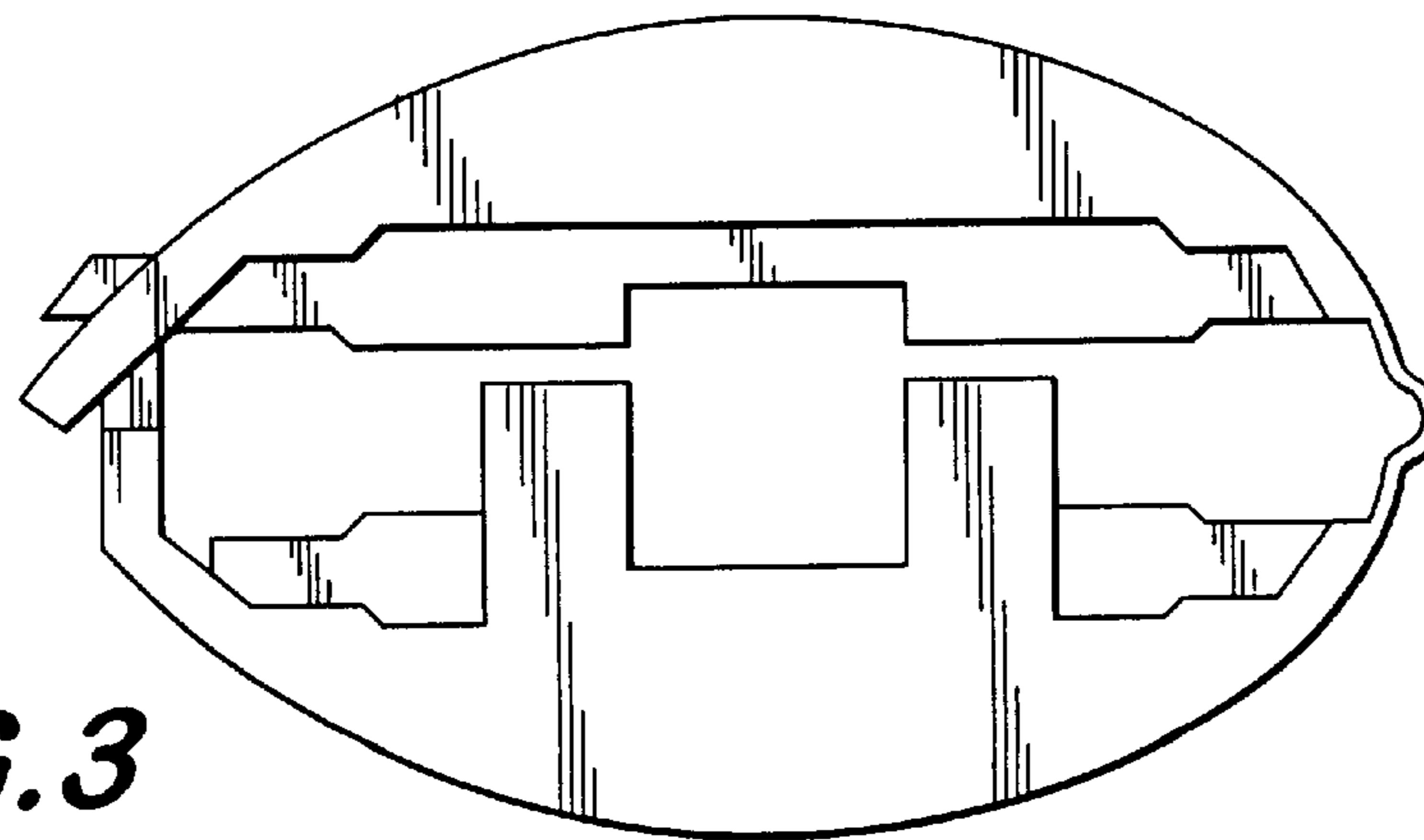
**1 Claim, 4 Drawing Sheets**



**FIG. 1**

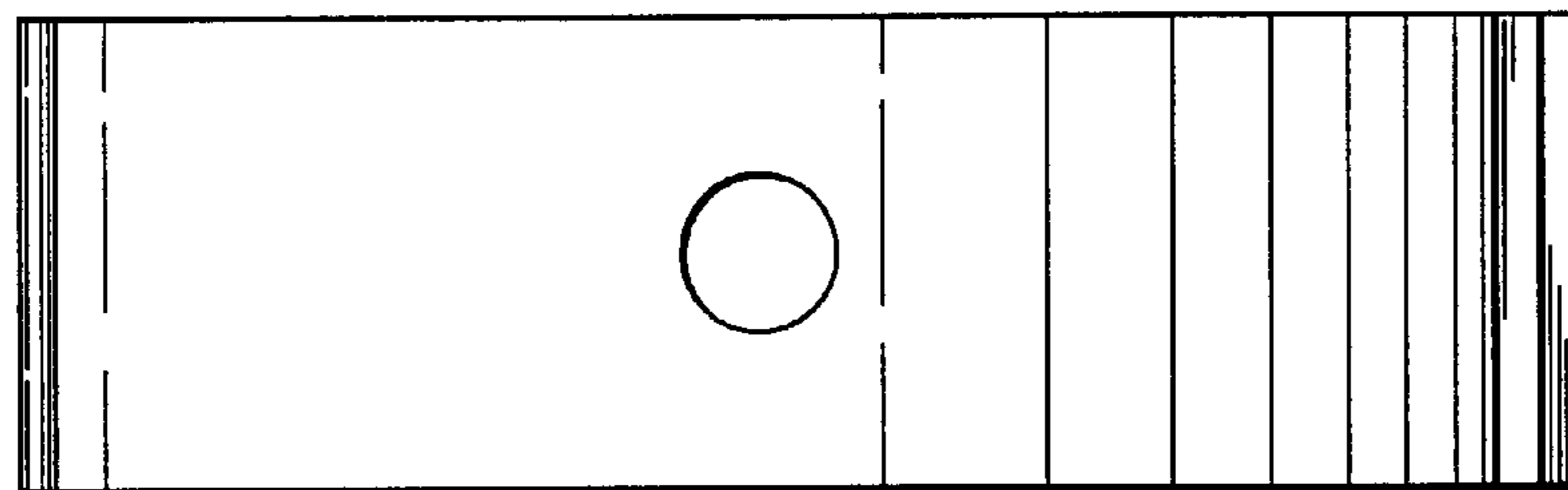
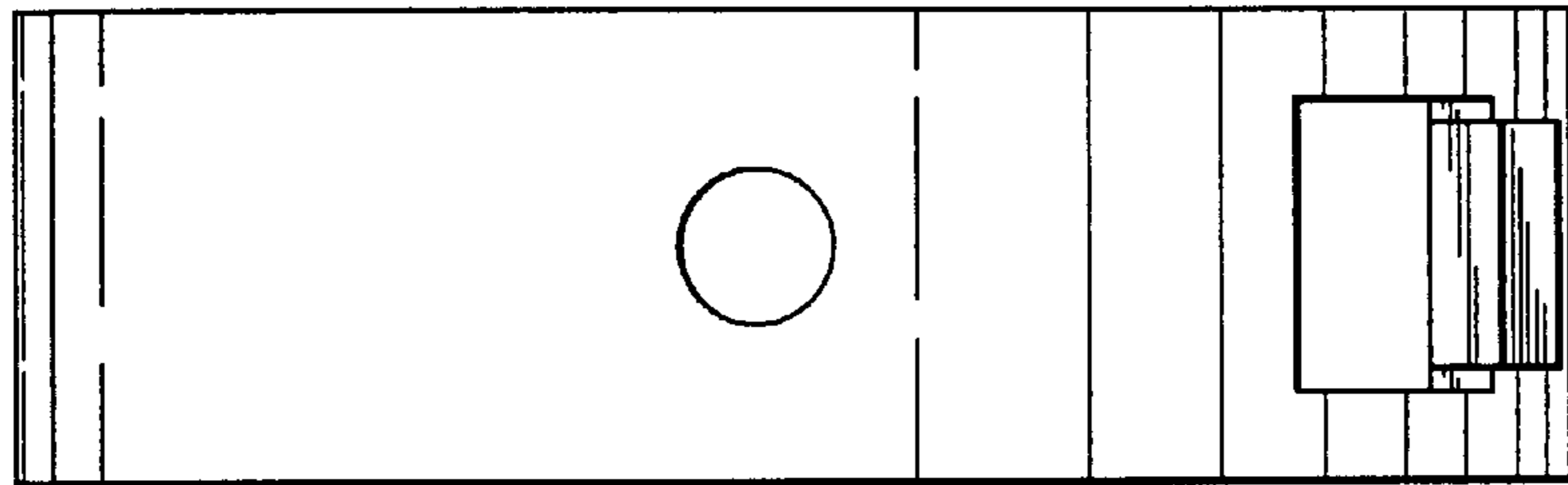


**FIG. 2**

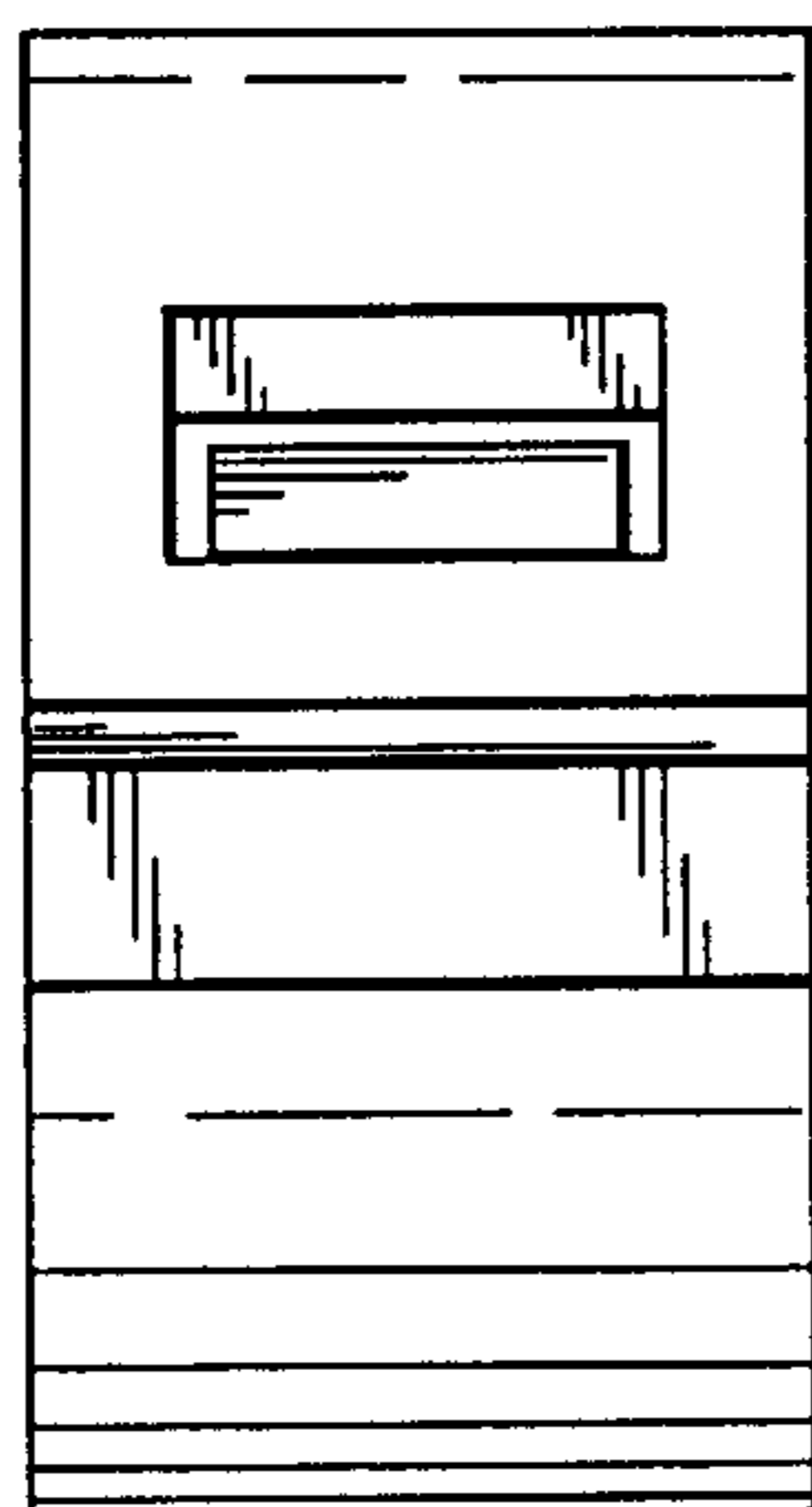


**FIG. 3**

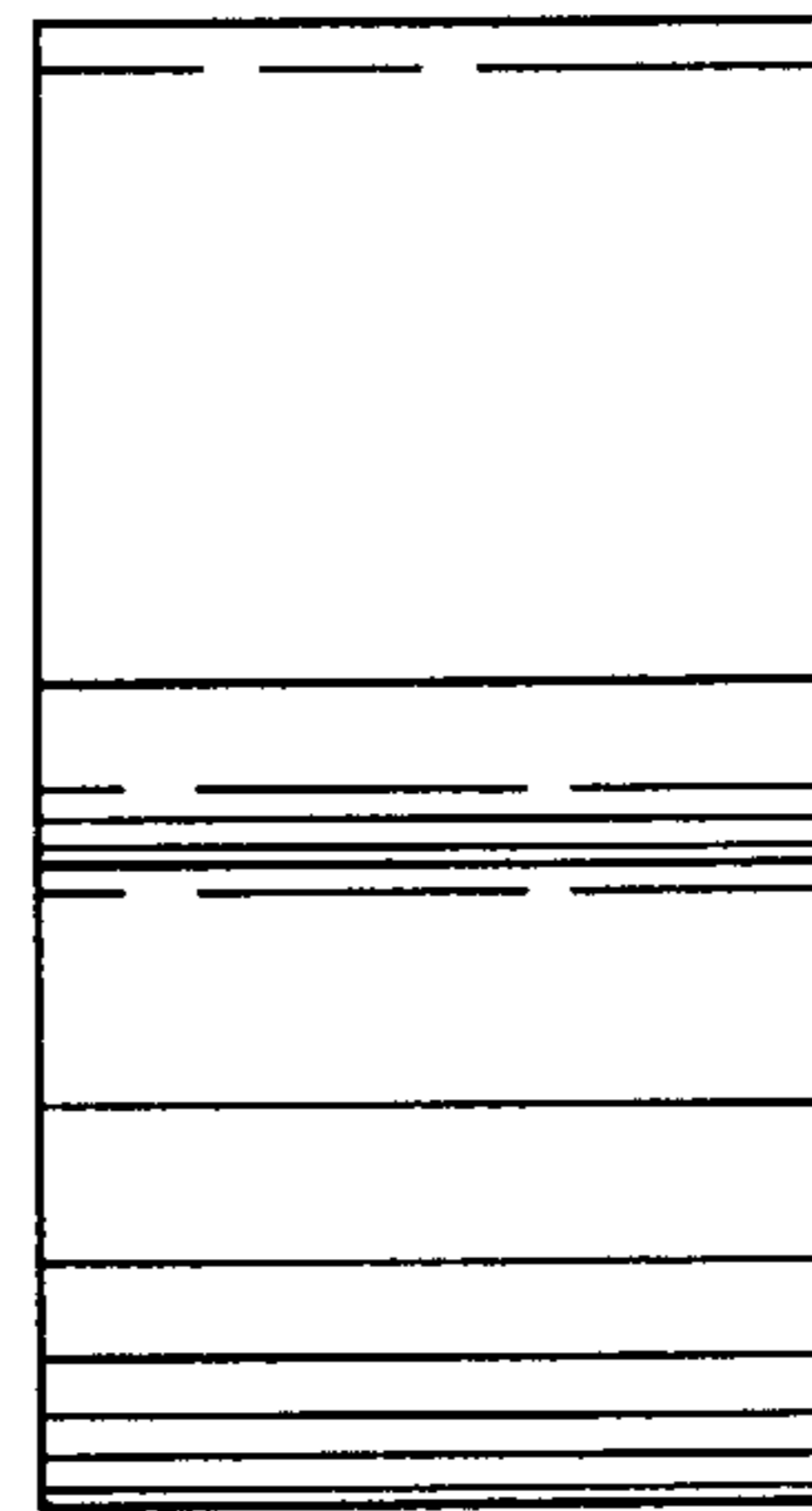
**FIG. 4**



**FIG. 5**

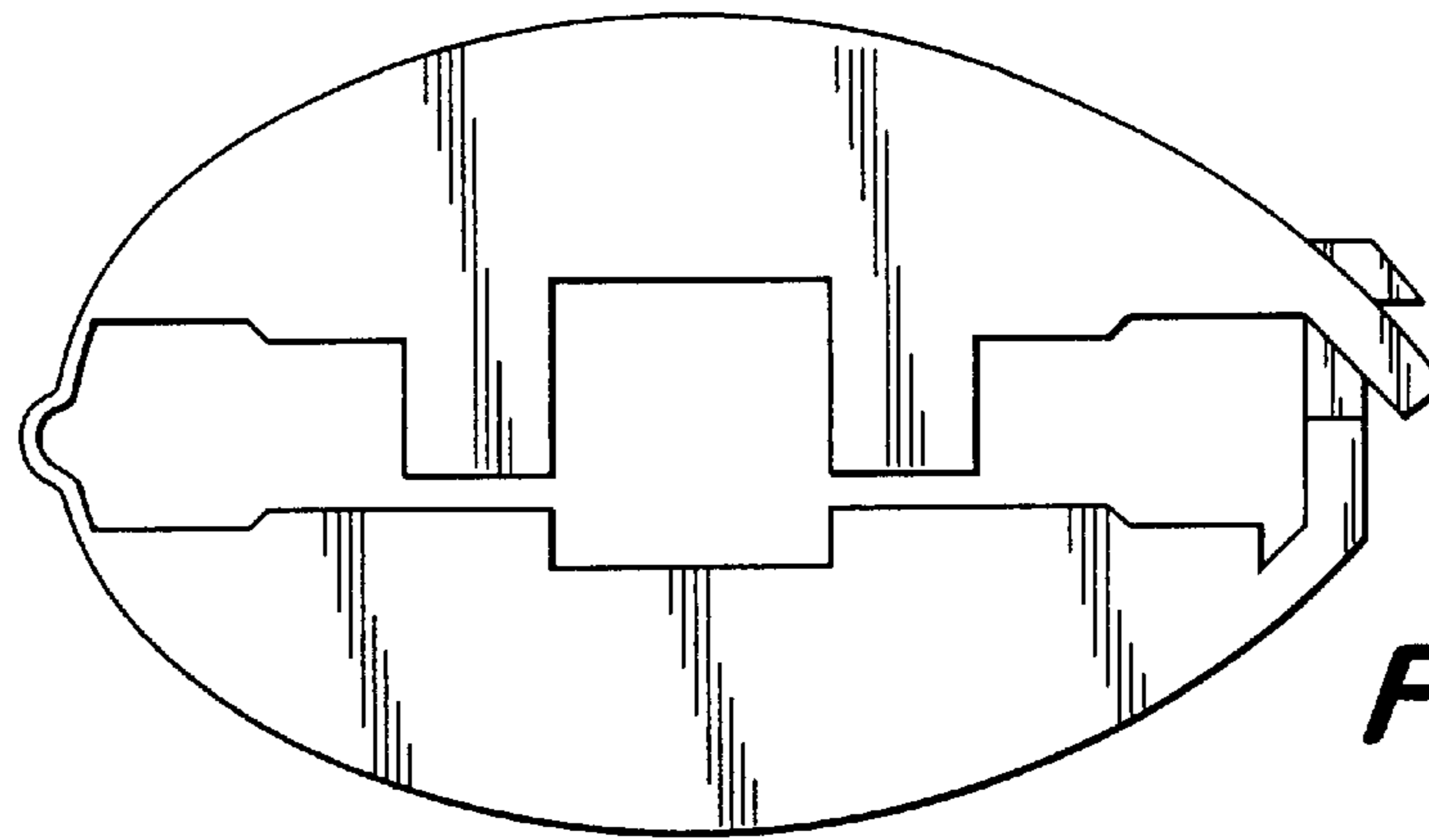
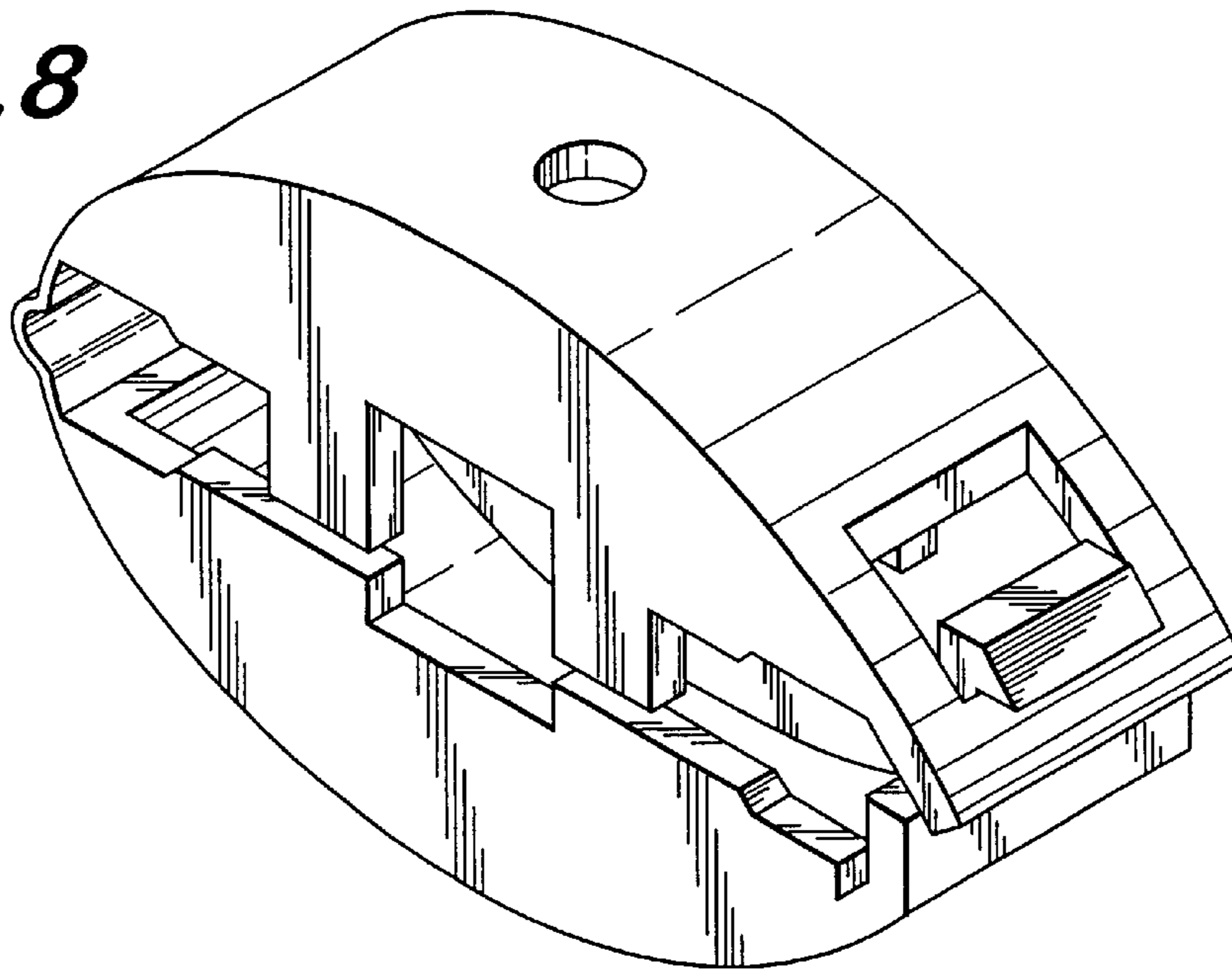


**FIG. 6**

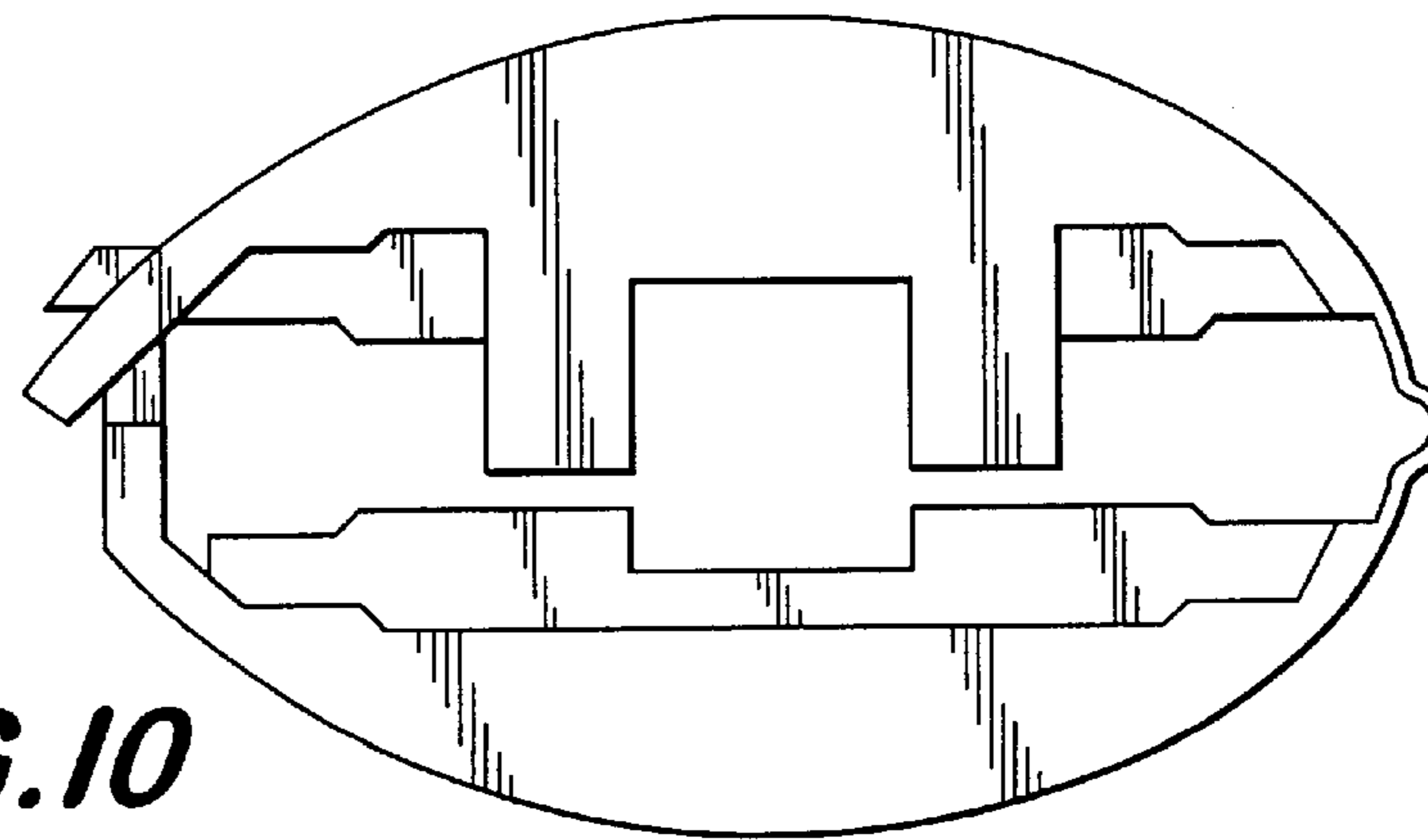


**FIG. 7**

**FIG. 8**

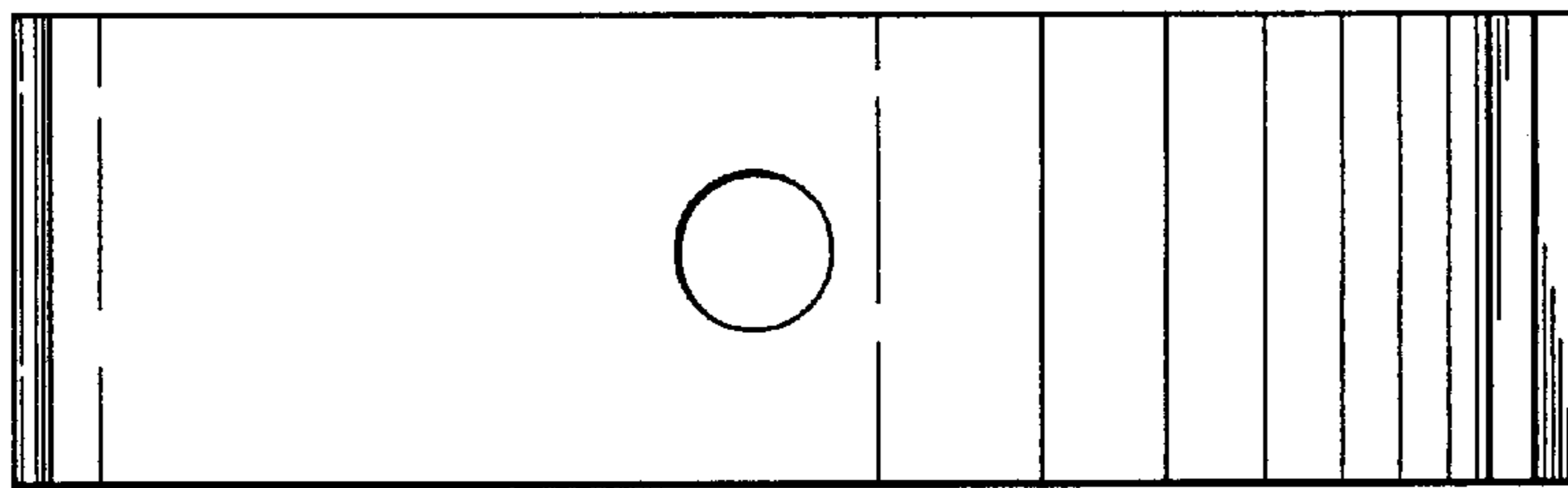
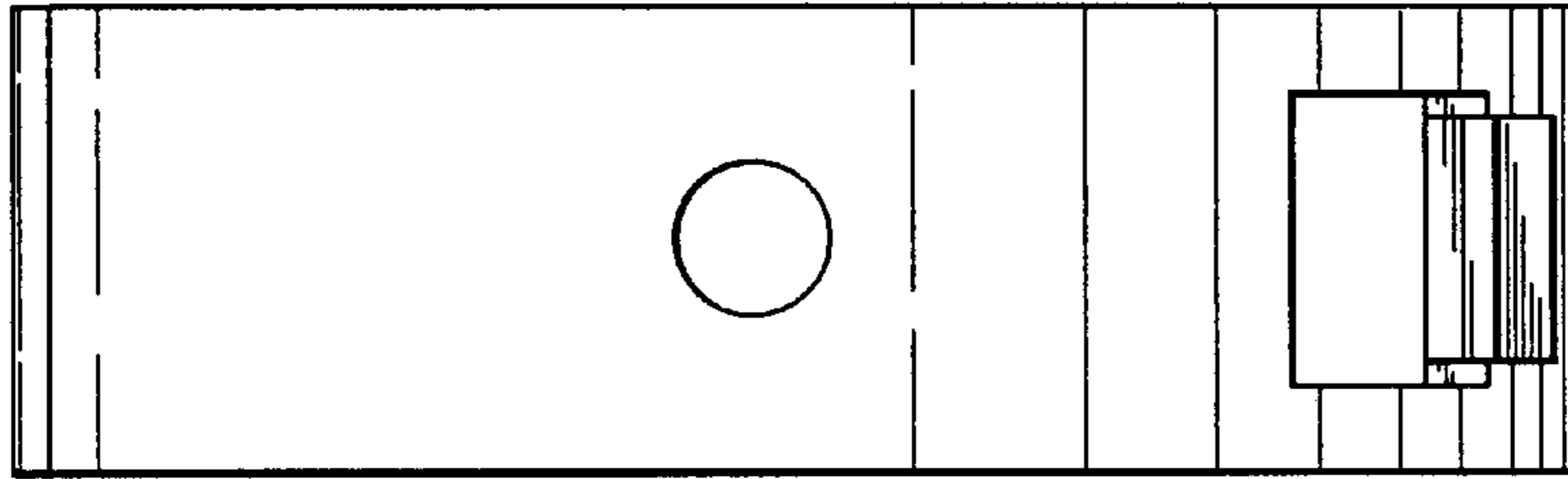


**FIG. 9**

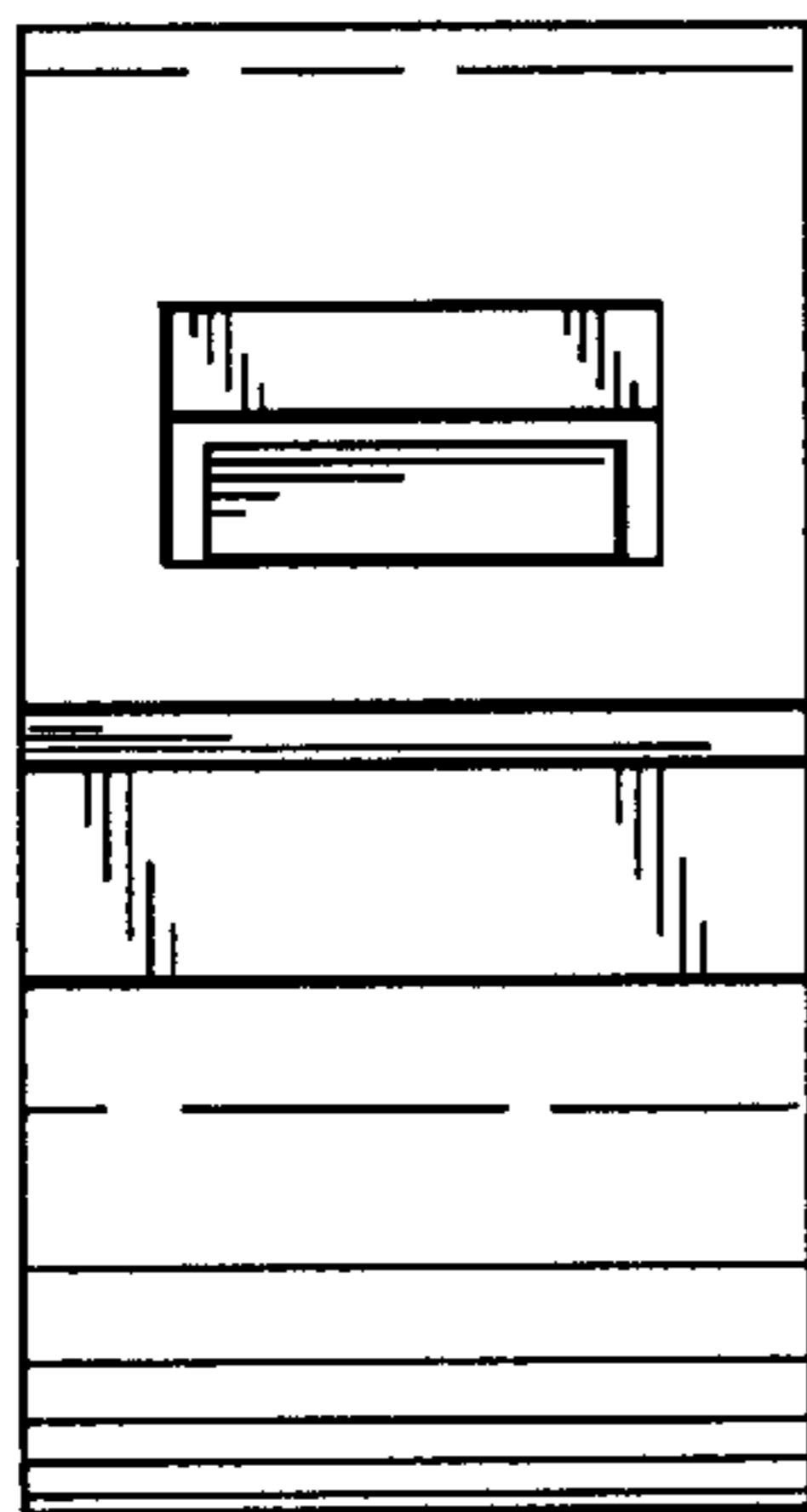


**FIG. 10**

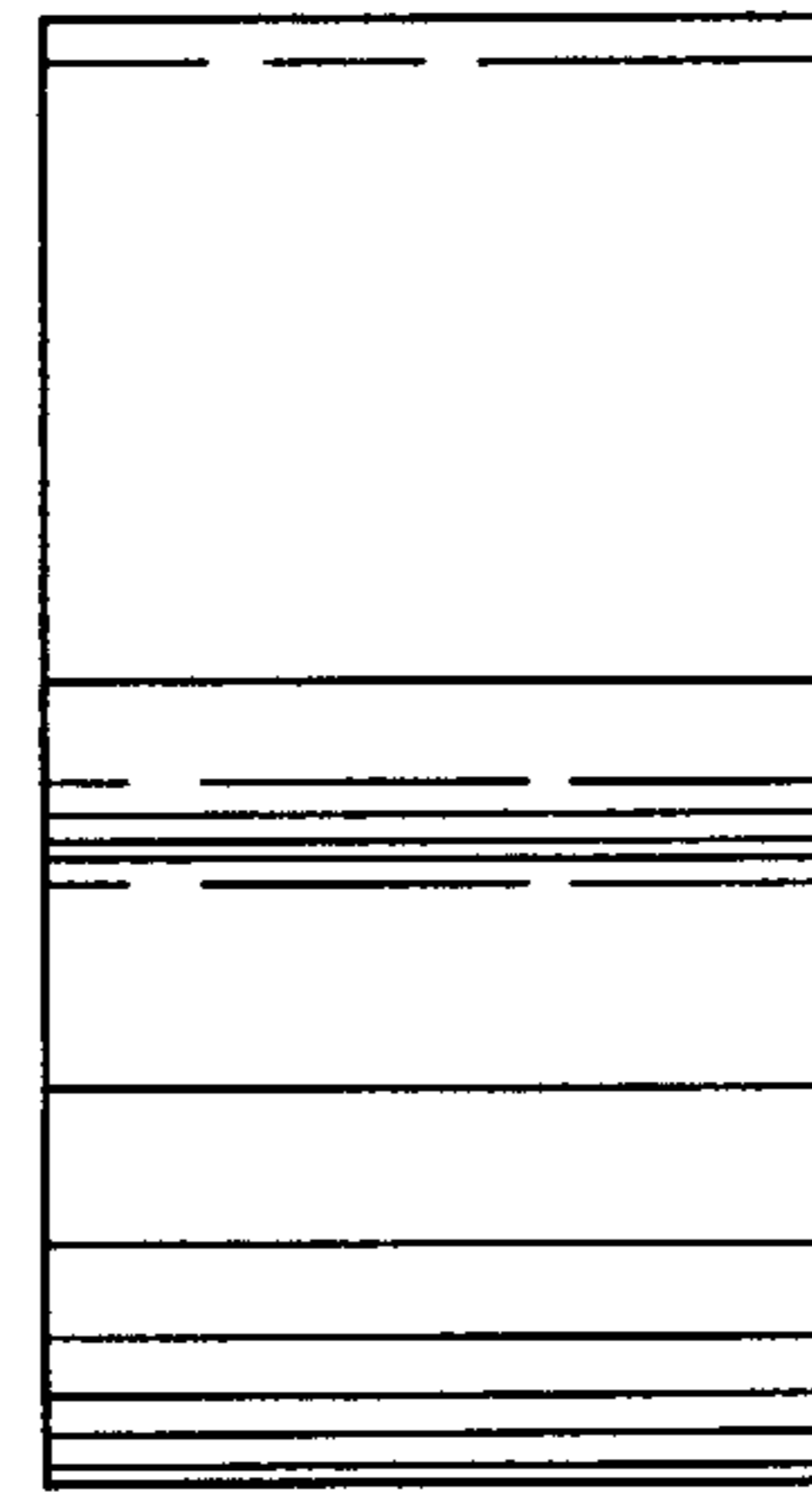
**FIG. 11**



**FIG. 12**



**FIG. 13**



**FIG. 14**