

US00D504492S

(12) **United States Design Patent**
Yeager

(10) **Patent No.:** **US D504,492 S**

(45) **Date of Patent:** **** Apr. 26, 2005**

(54) **NOZZLE FOR DISPENSING FLUIDS**

D442,670 S * 5/2001 Maddox et al. D23/213
D443,021 S * 5/2001 Maddox et al. D23/213

(75) **Inventor:** **Robert H. Yeager**, Twinsburg, OH
(US)

* cited by examiner

(73) **Assignee:** **Joseph S. Kanfer**, Richfield, OH (US)

Primary Examiner—Robin V. Taylor

(**) **Term:** **14 Years**

(74) *Attorney, Agent, or Firm*—Renner, Kenner, Greive,
Bobak, Taylor & Weber

(21) **Appl. No.:** **29/212,340**

(57) **CLAIM**

(22) **Filed:** **Aug. 30, 2004**

The ornamental design for a nozzle for dispensing fluids, as shown and described.

Related U.S. Application Data

DESCRIPTION

(62) Division of application No. 29/152,784, filed on Jan. 2, 2002, now Pat. No. Des. 495,398.

FIG. 1 is a perspective view of a nozzle for dispensing fluids showing my new design;

(51) **LOC (7) Cl.** **23-01**

FIG. 2 is a front elevational view thereof;

(52) **U.S. Cl.** **D23/213**

FIG. 3 is a rear elevational view thereof;

(58) **Field of Search** D23/213; 239/390,
239/601

FIG. 4 is a side-elevational view thereof, the remaining side being a mirror image; and,

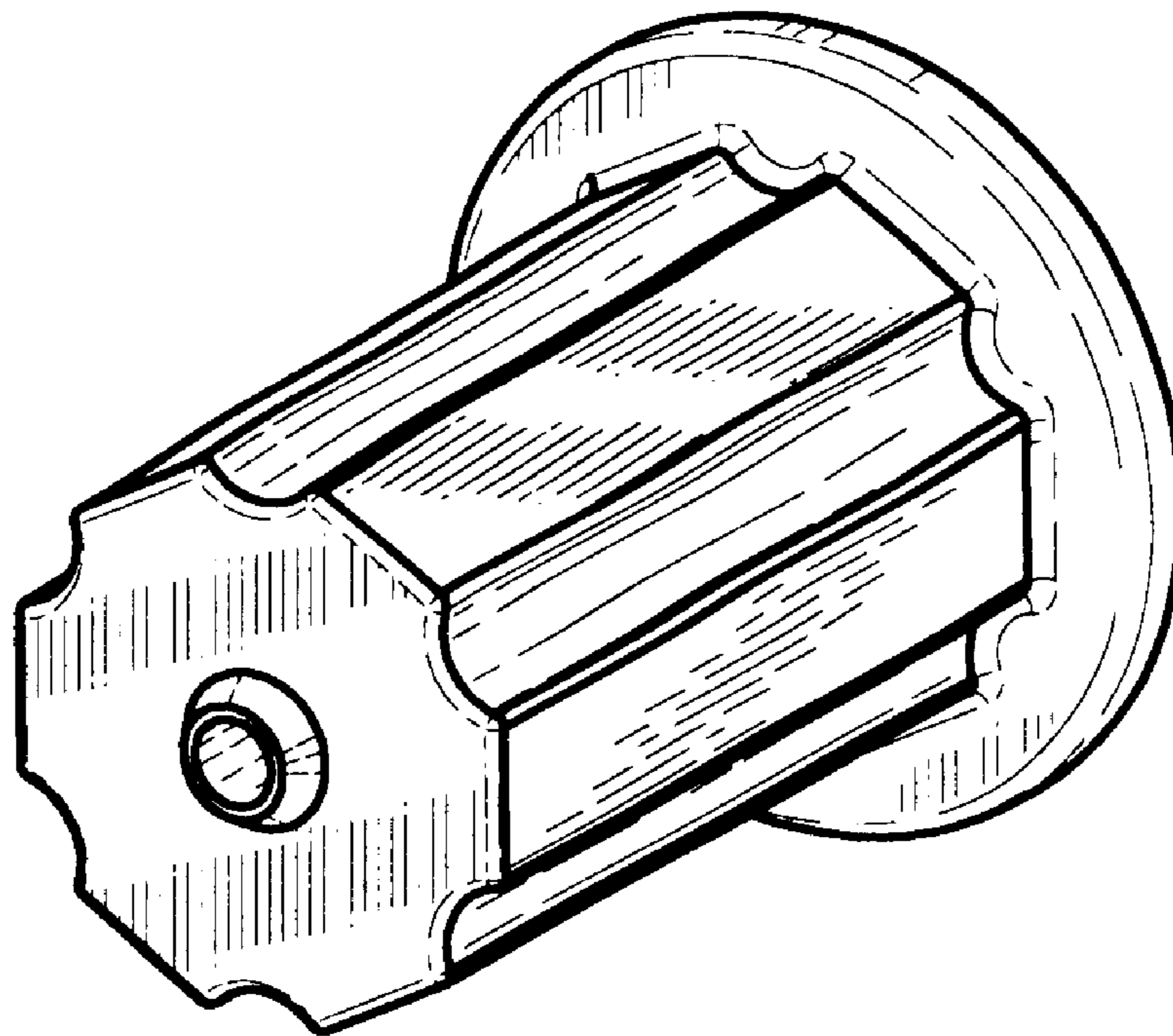
(56) **References Cited**

FIG. 5 is a top plan view thereof, the bottom thereof being a mirror image.

U.S. PATENT DOCUMENTS

D436,648 S * 1/2001 Maddox et al. D23/213

1 Claim, 1 Drawing Sheet



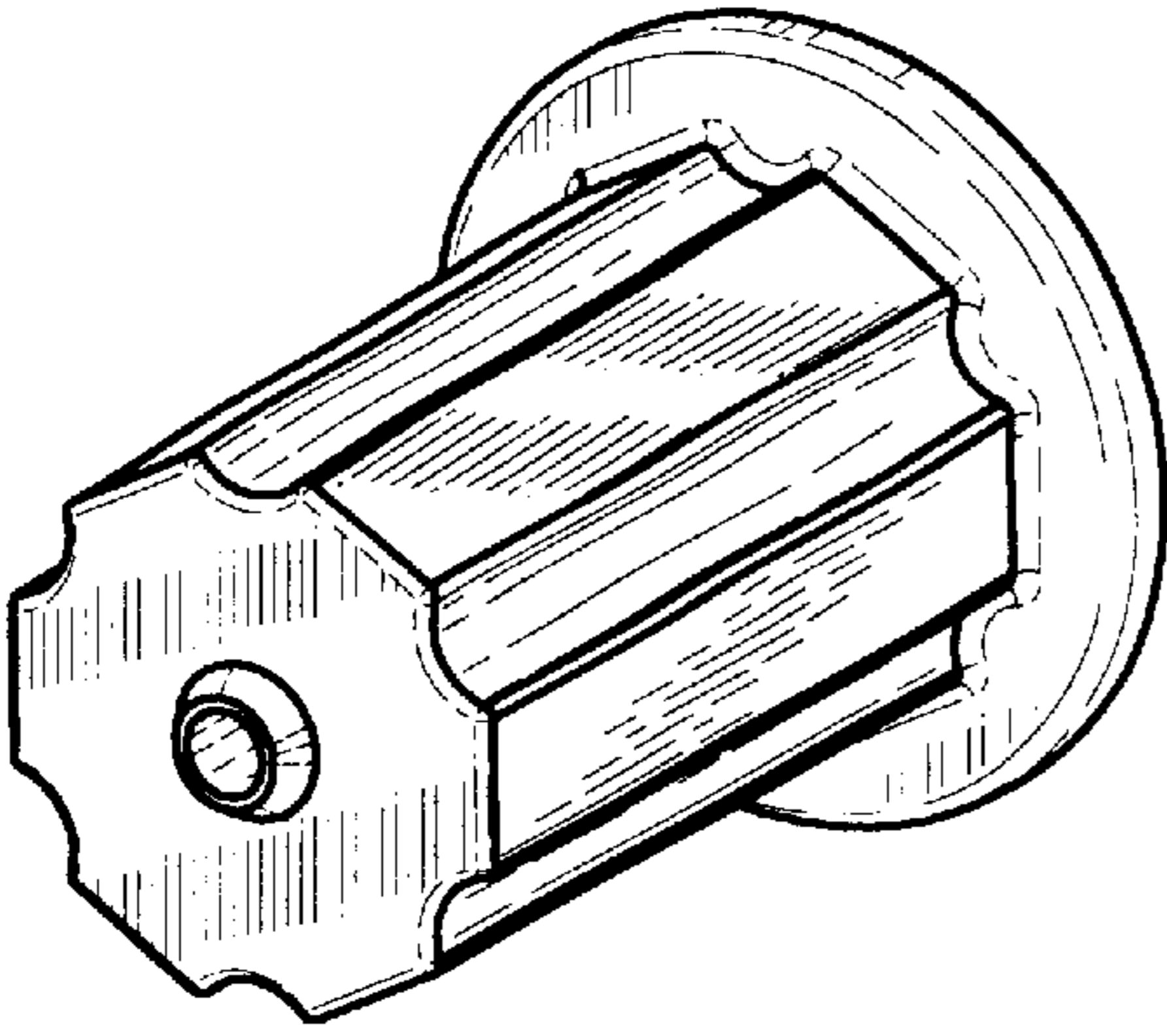


FIG-1

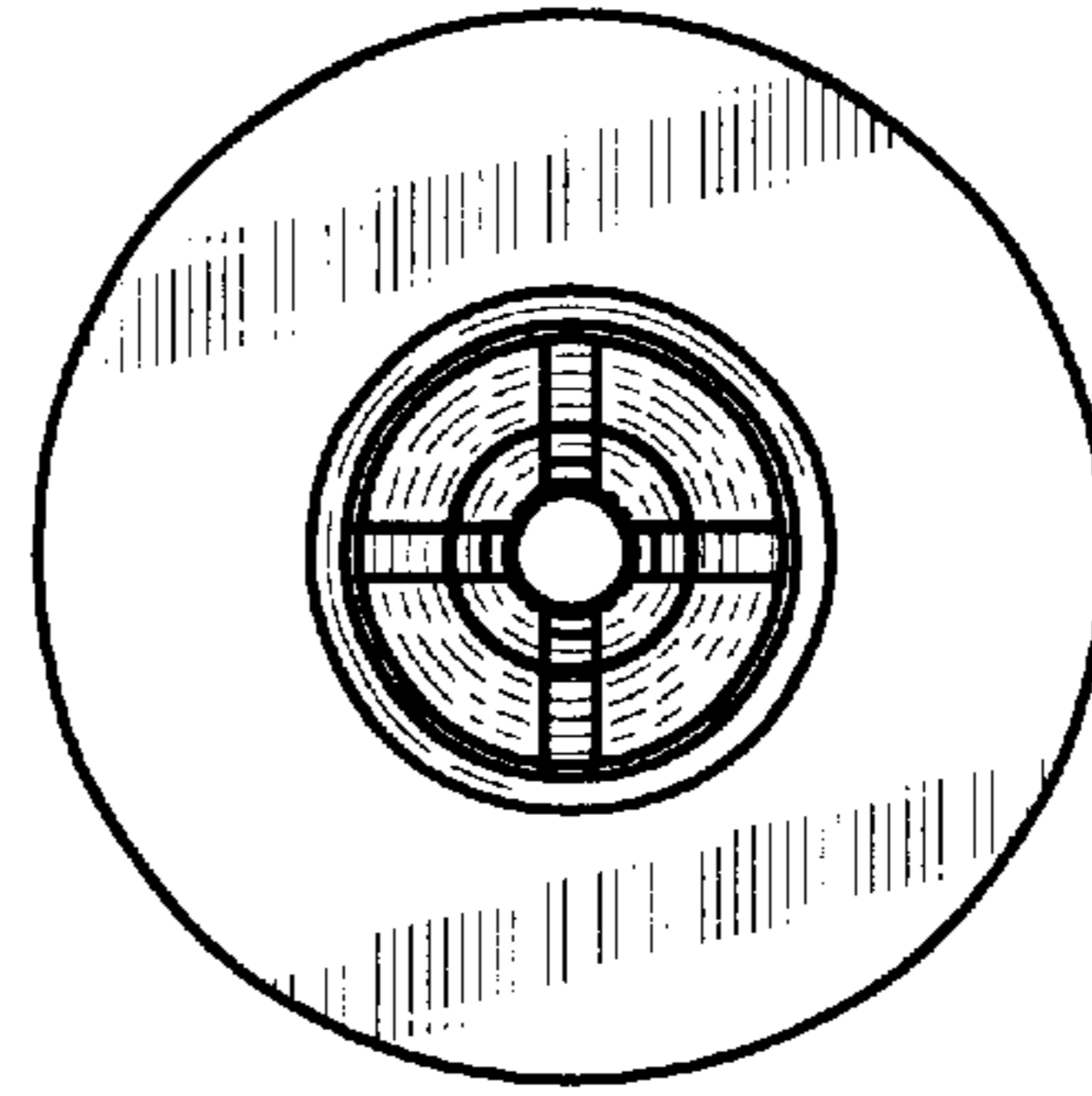


FIG 3

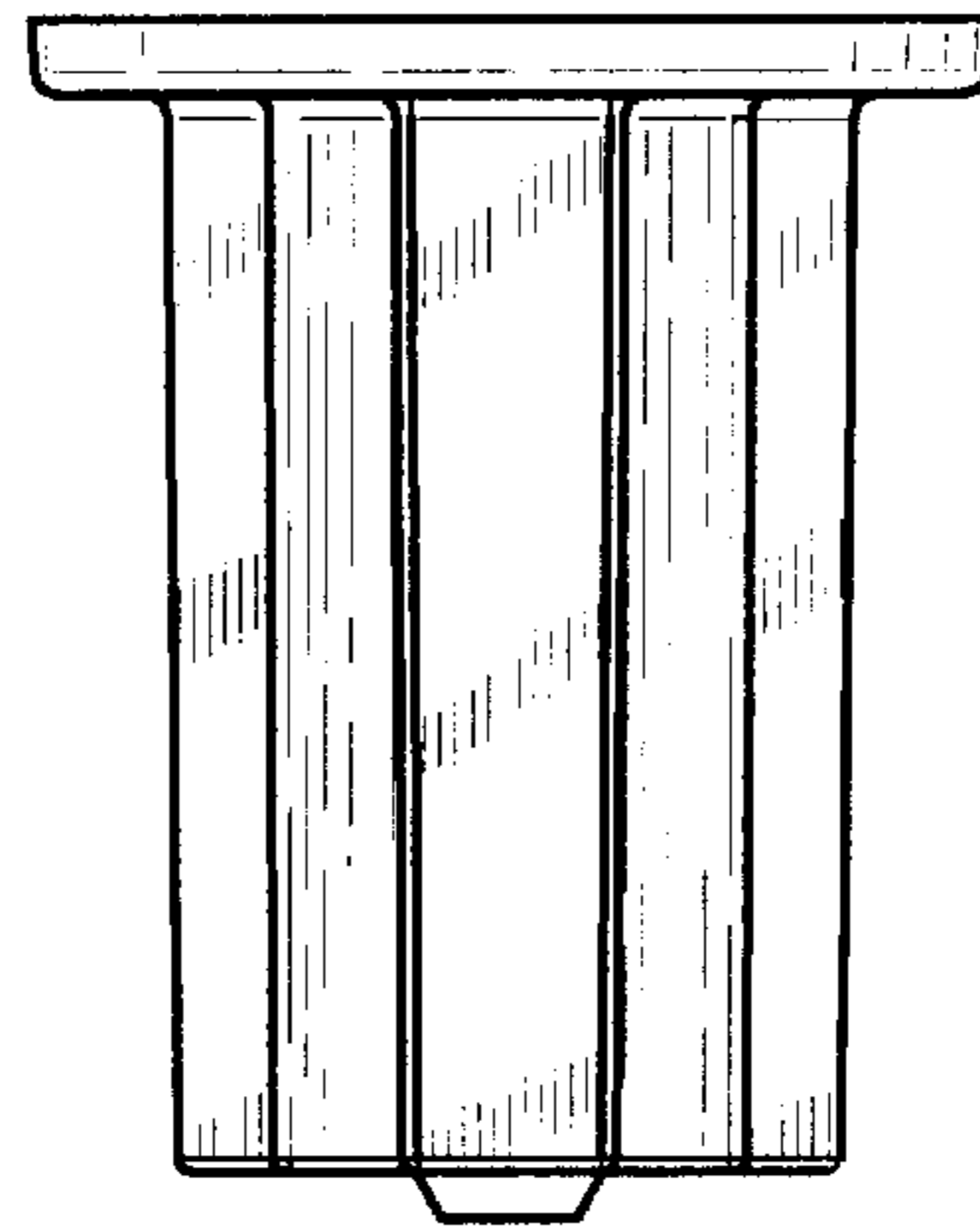


FIG 4

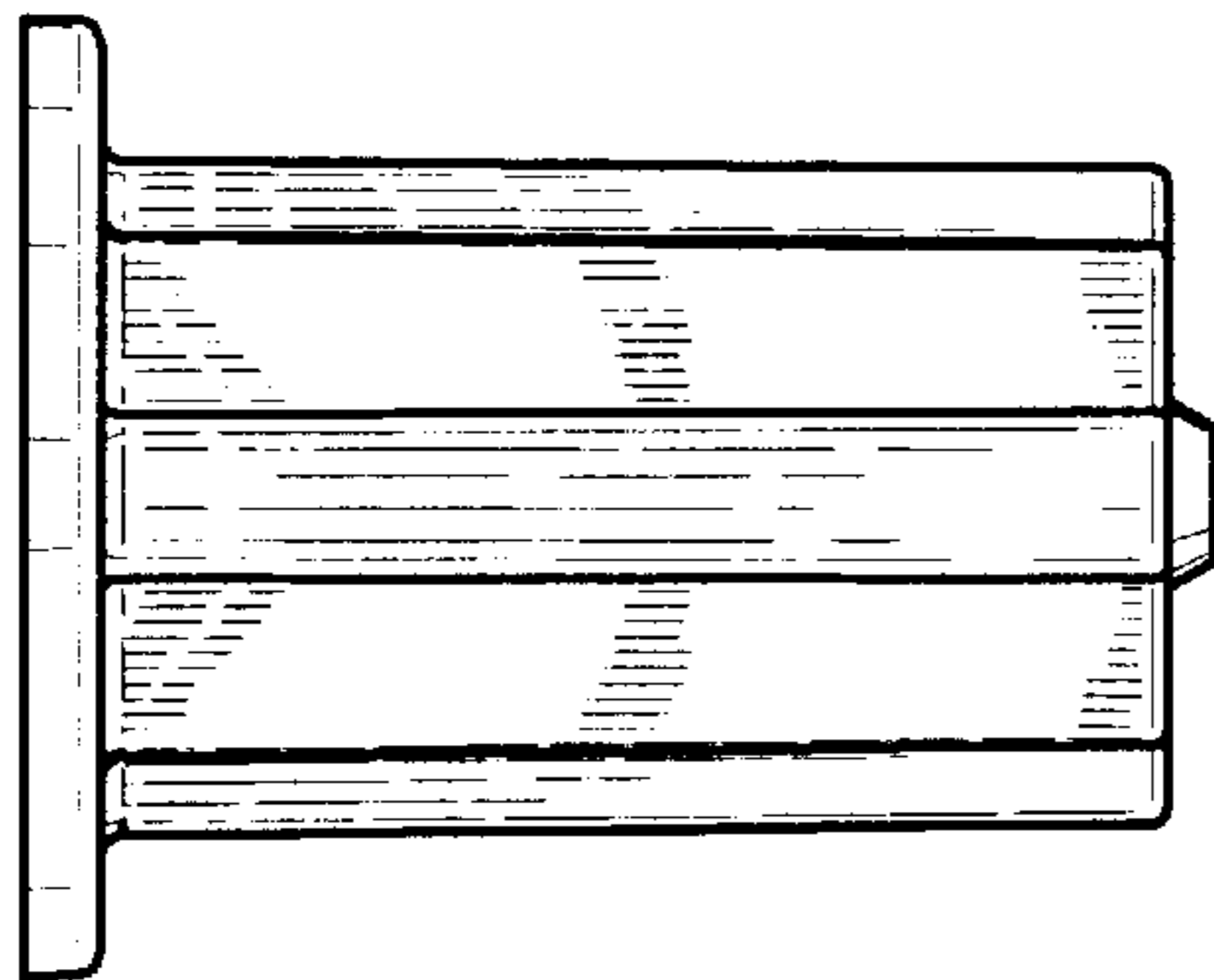


FIG 5

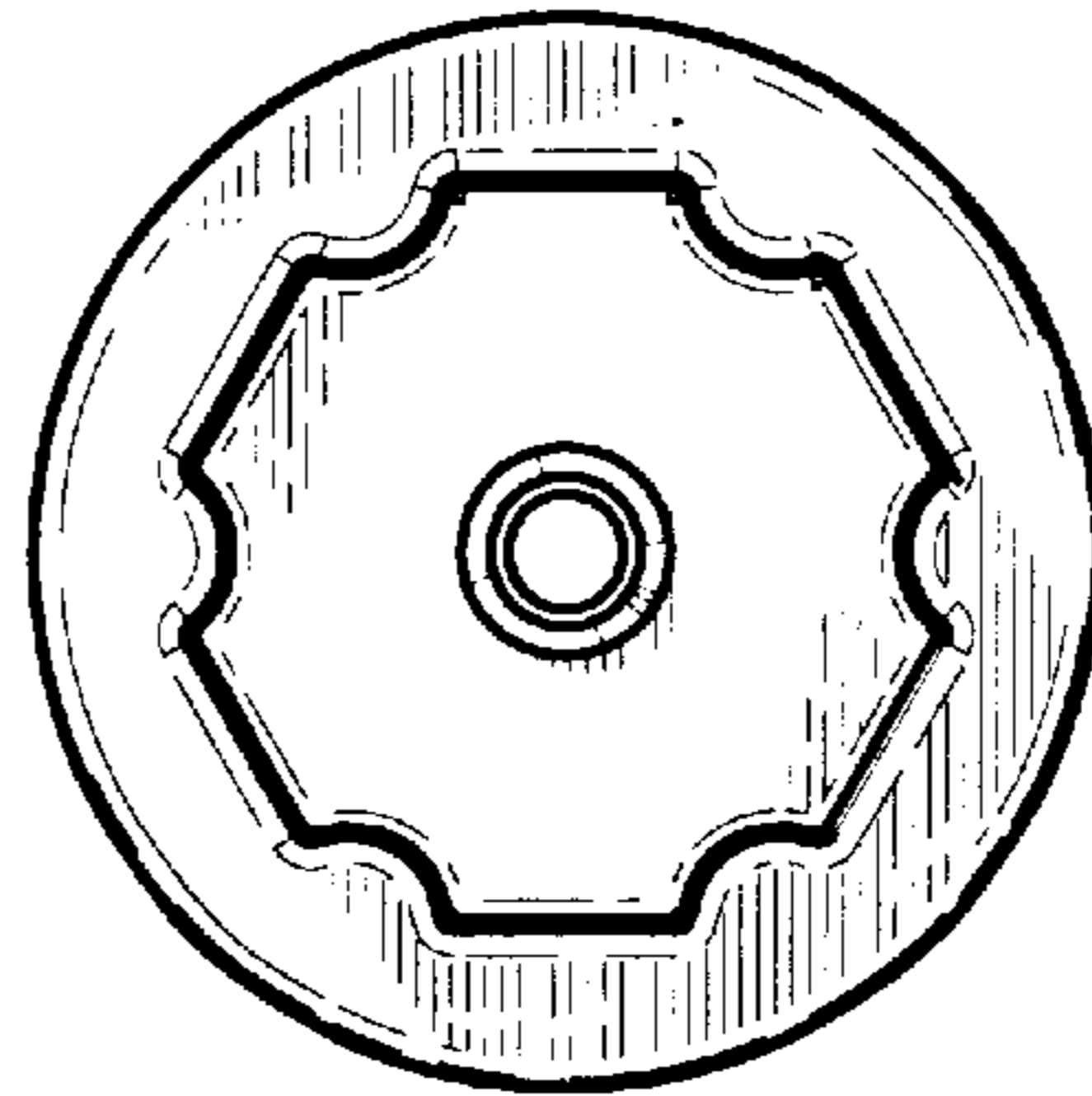


FIG 2