



US00D504491S

(12) **United States Design Patent**
Iwabuchi

(10) **Patent No.:** **US D504,491 S**
(45) **Date of Patent:** **** Apr. 26, 2005**

(54) **FISHING REEL CLUTCH LEVER**
(75) Inventor: **Masaskazu Iwabuchi**, Osaka (JP)
(73) Assignee: **Shimano Inc.**, Osaka (JP)
(**) Term: **14 Years**

(21) Appl. No.: **29/191,564**

(22) Filed: **Oct. 10, 2003**

(30) **Foreign Application Priority Data**

Apr. 10, 2003 (JP) 2003-010116

(51) **LOC (7) Cl.** **22-05**

(52) **U.S. Cl.** **D22/140**

(58) **Field of Search** D22/140, 141,
D22/137-139; 242/234-240, 310-312,
314, 319, 323, 289; 43/21, 21.2, 22, 19

(56) **References Cited**

U.S. PATENT DOCUMENTS

5,601,246 A * 2/1997 Takahashi 243/310
5,803,385 A * 9/1998 Baisch 242/289
D450,105 S * 11/2001 Asano et al. D22/140
D491,249 S * 6/2004 Burke et al. D22/140

* cited by examiner

Primary Examiner—Catherine R. Oliver

(74) *Attorney, Agent, or Firm*—Shinju Global IP
Counselors, LLP

(57) **CLAIM**

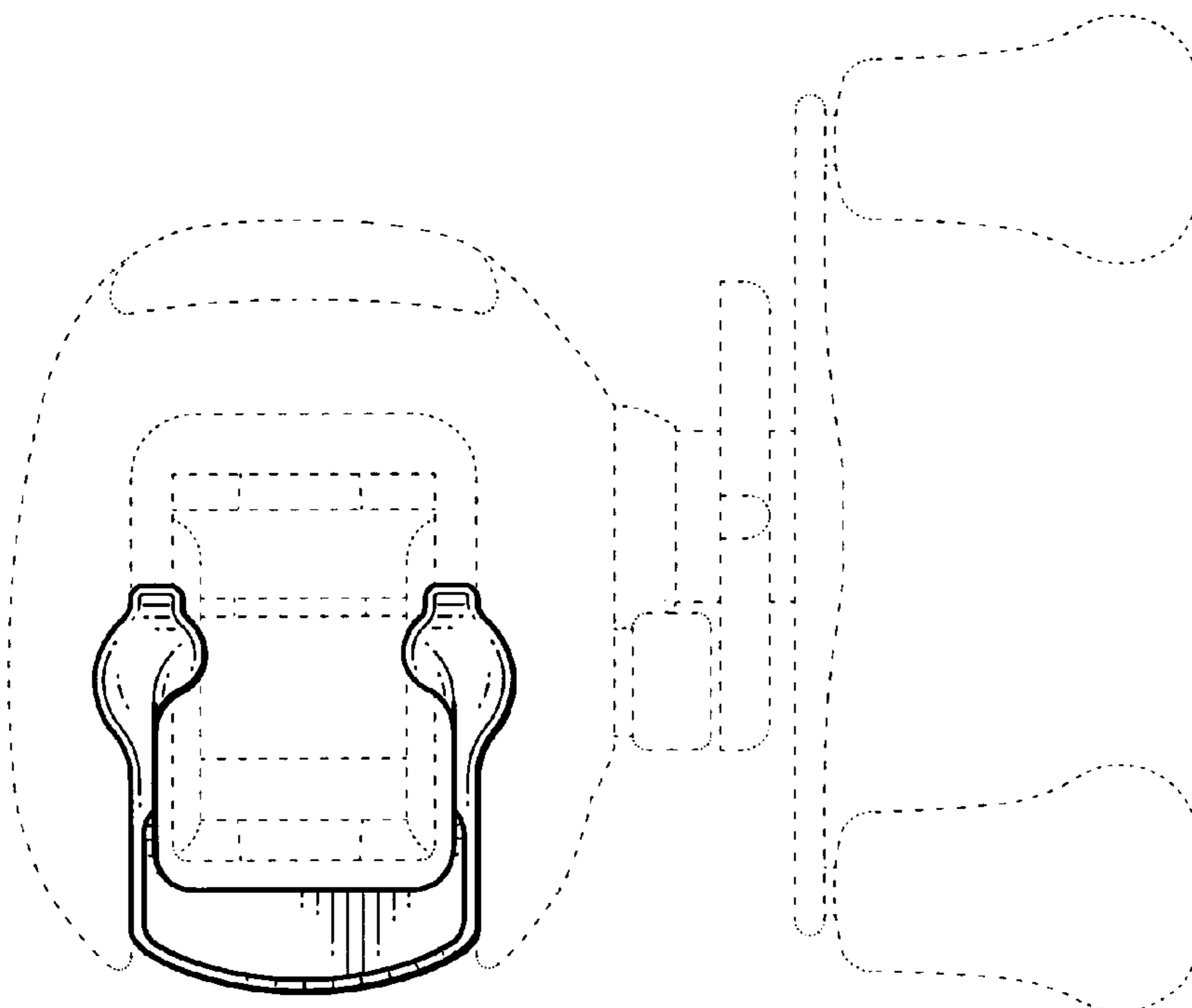
The ornamental design for a fishing reel clutch lever, as
shown and described.

DESCRIPTION

FIG. 1 is a front side elevational view of a fishing reel clutch
lever in accordance with my new design;
FIG. 2 is a rear side elevational view of the fishing reel
clutch lever in accordance with my new design;
FIG. 3 is a plan view of the fishing reel clutch lever in
accordance with my new design;
FIG. 4 is a bottom view of the fishing reel clutch lever in
accordance with my new design;
FIG. 5 is a right side elevational view of the fishing reel
clutch lever in accordance with my new design;
FIG. 6 is a left side elevational view of the fishing reel clutch
lever in accordance with my new design; and,
FIG. 7 is a perspective view of the fishing reel clutch lever
in accordance with my new design.

The parts shown in broken lines are showing of the envi-
ronment in which the claimed design is associated (the
remaining structure of the fishing reel clutch lever) for
illustrative purposes only, and form no part of the claimed
design. Moreover, any surface ornamentations and logos on
the parts are hereby disclaimed.

1 Claim, 5 Drawing Sheets



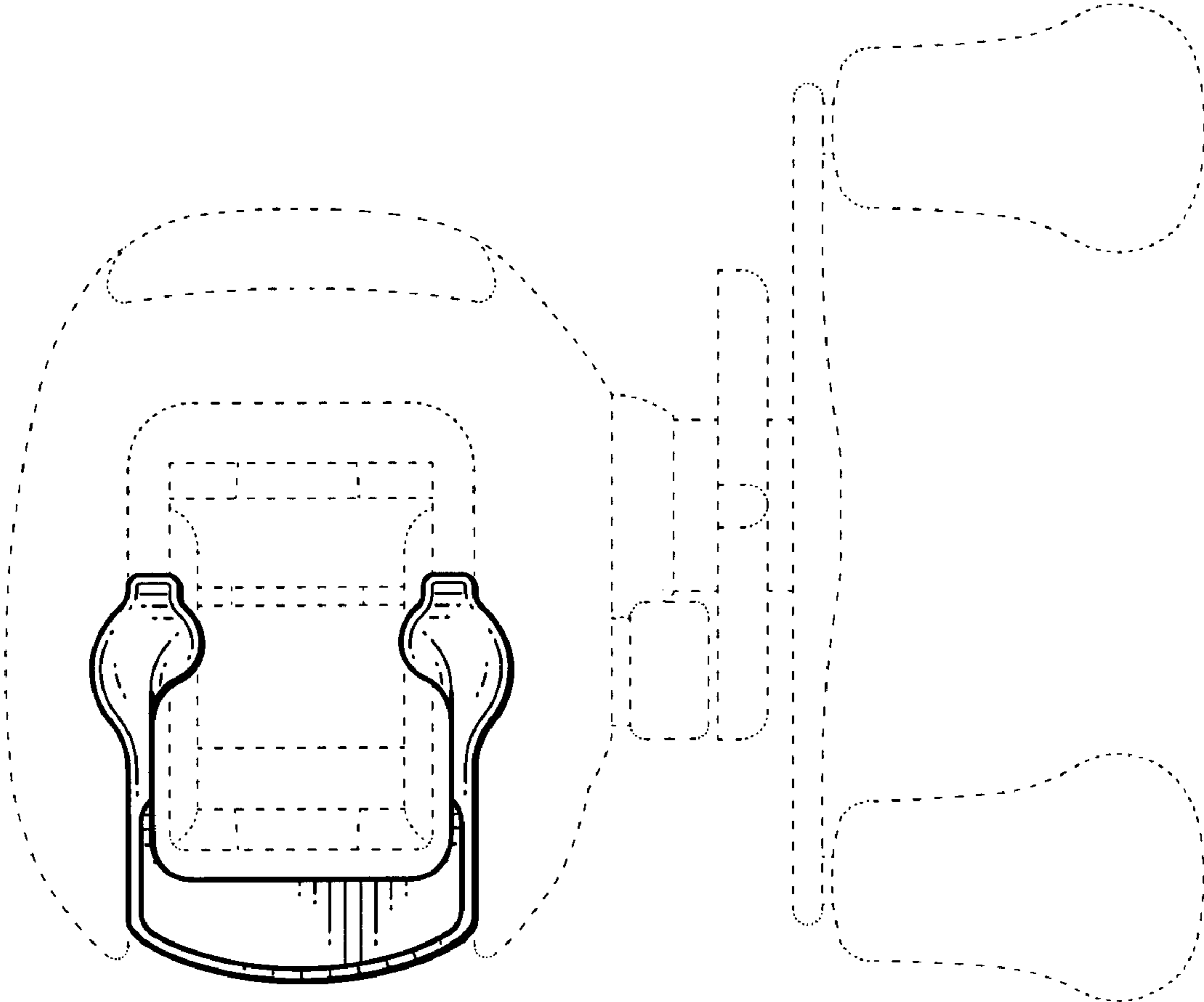


FIG. 1

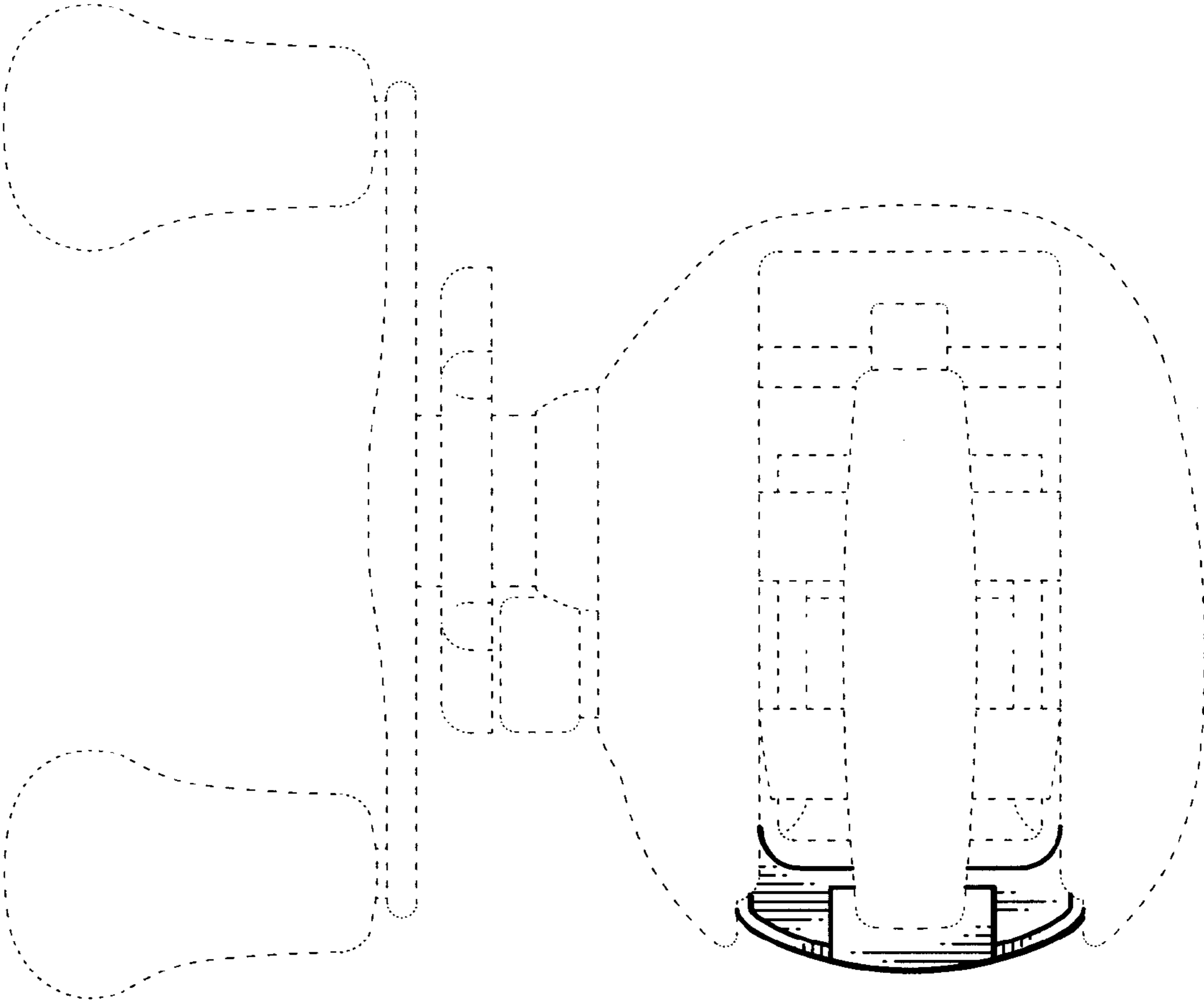


FIG. 2

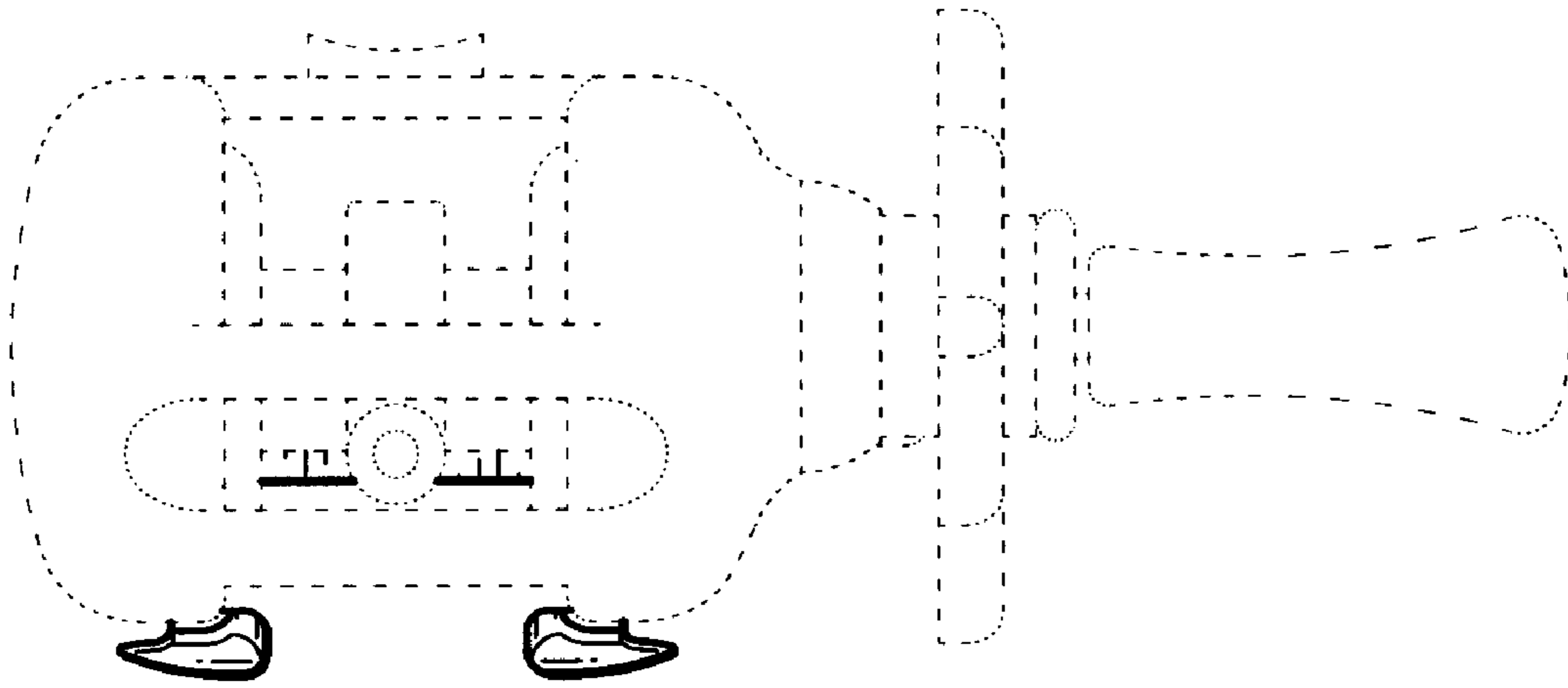


FIG. 3

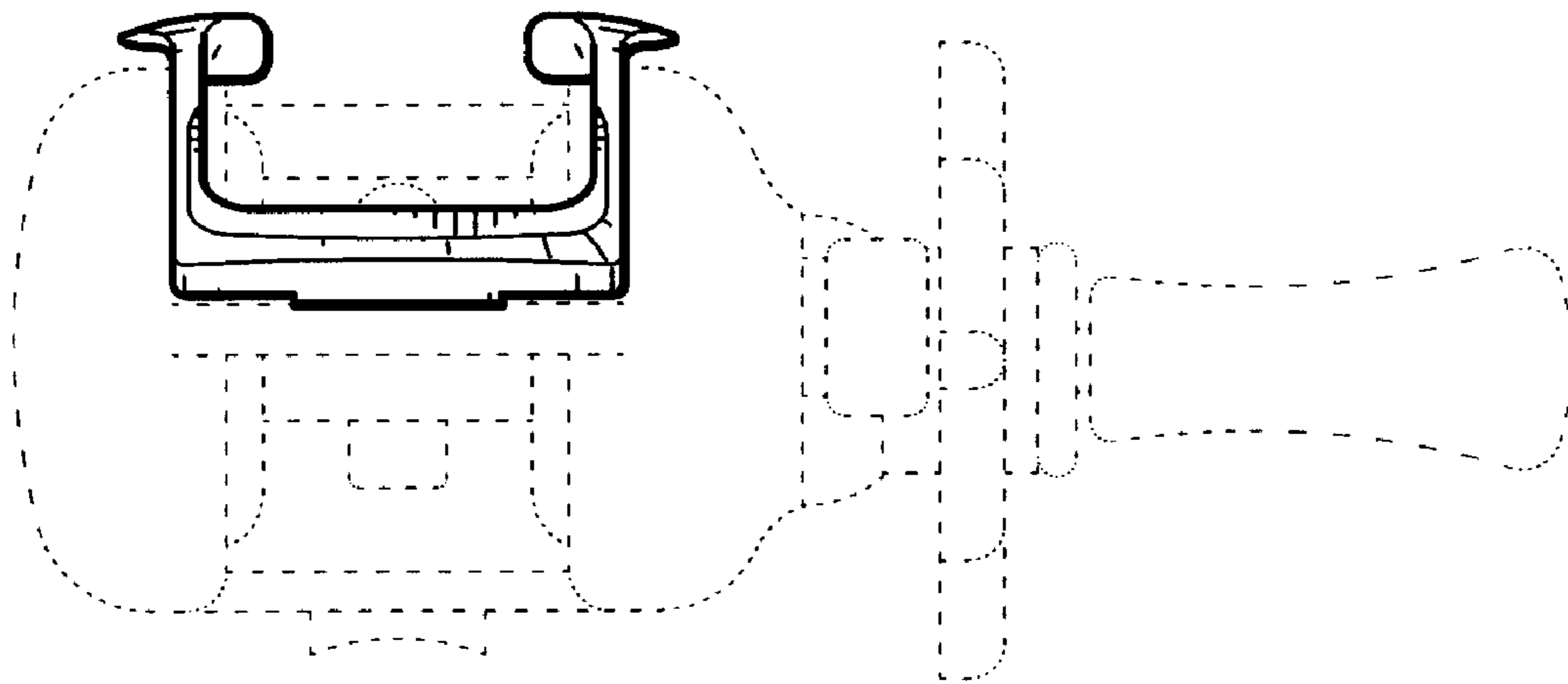


FIG. 4

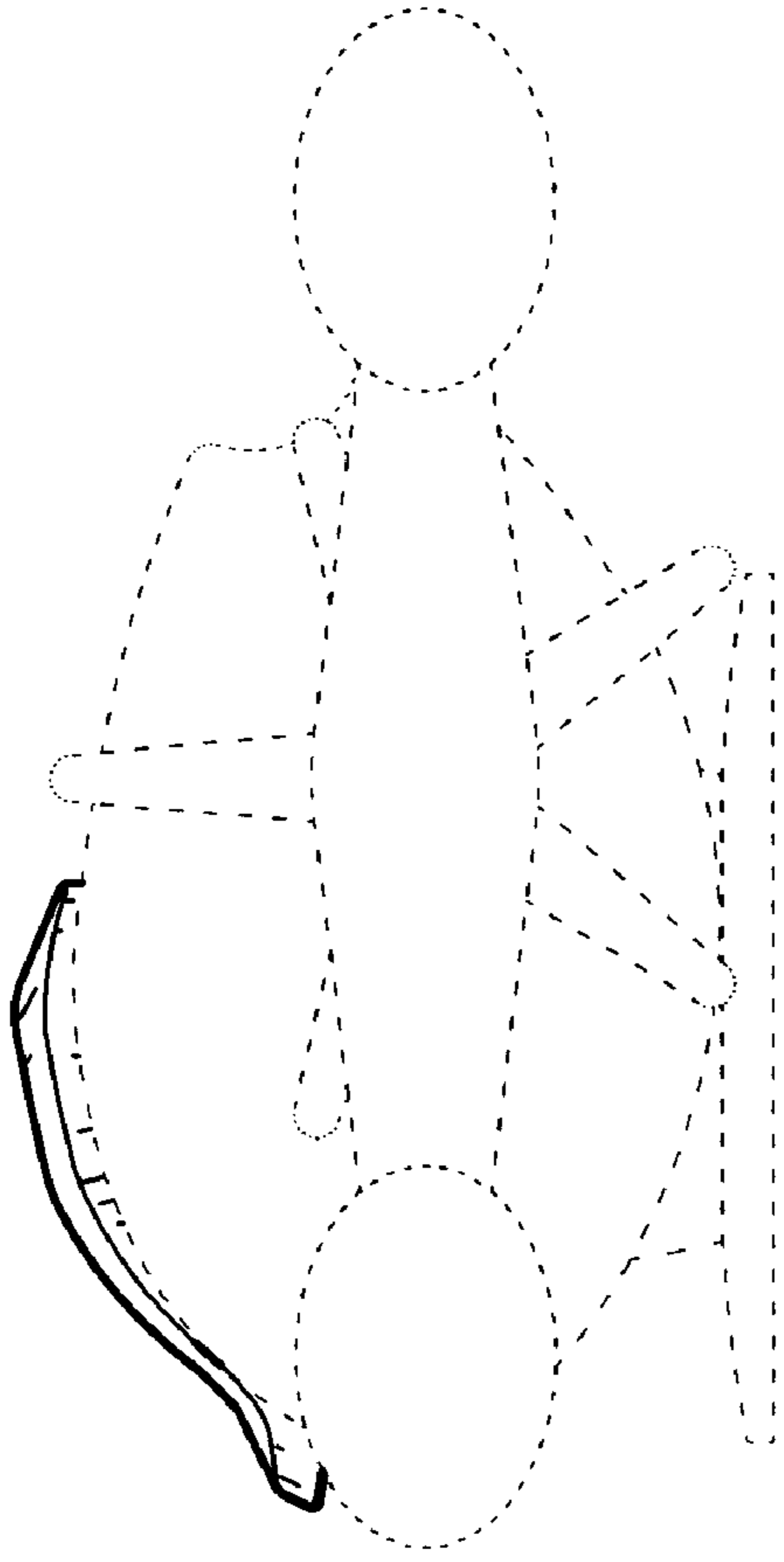


FIG. 5

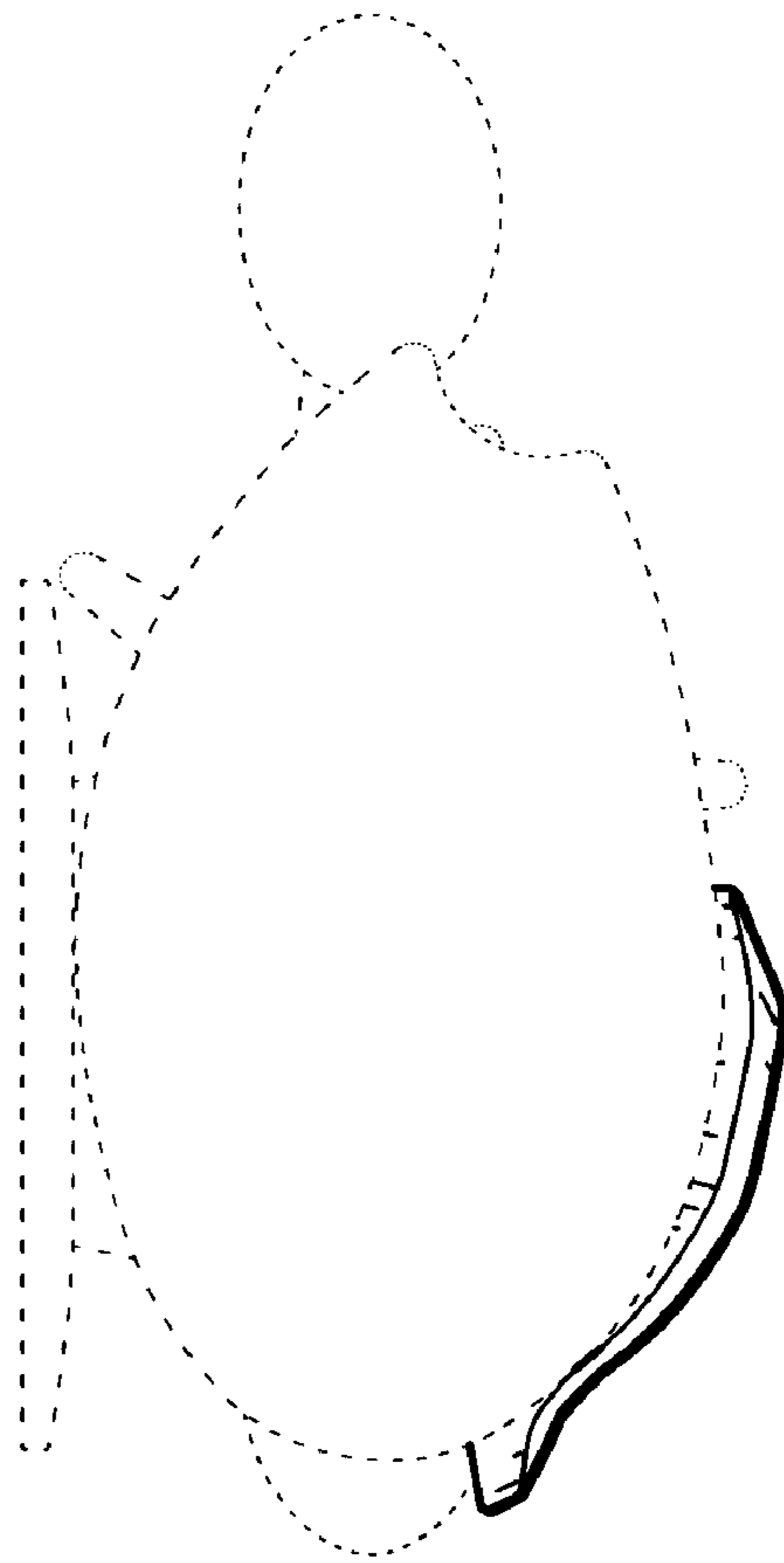


FIG. 6

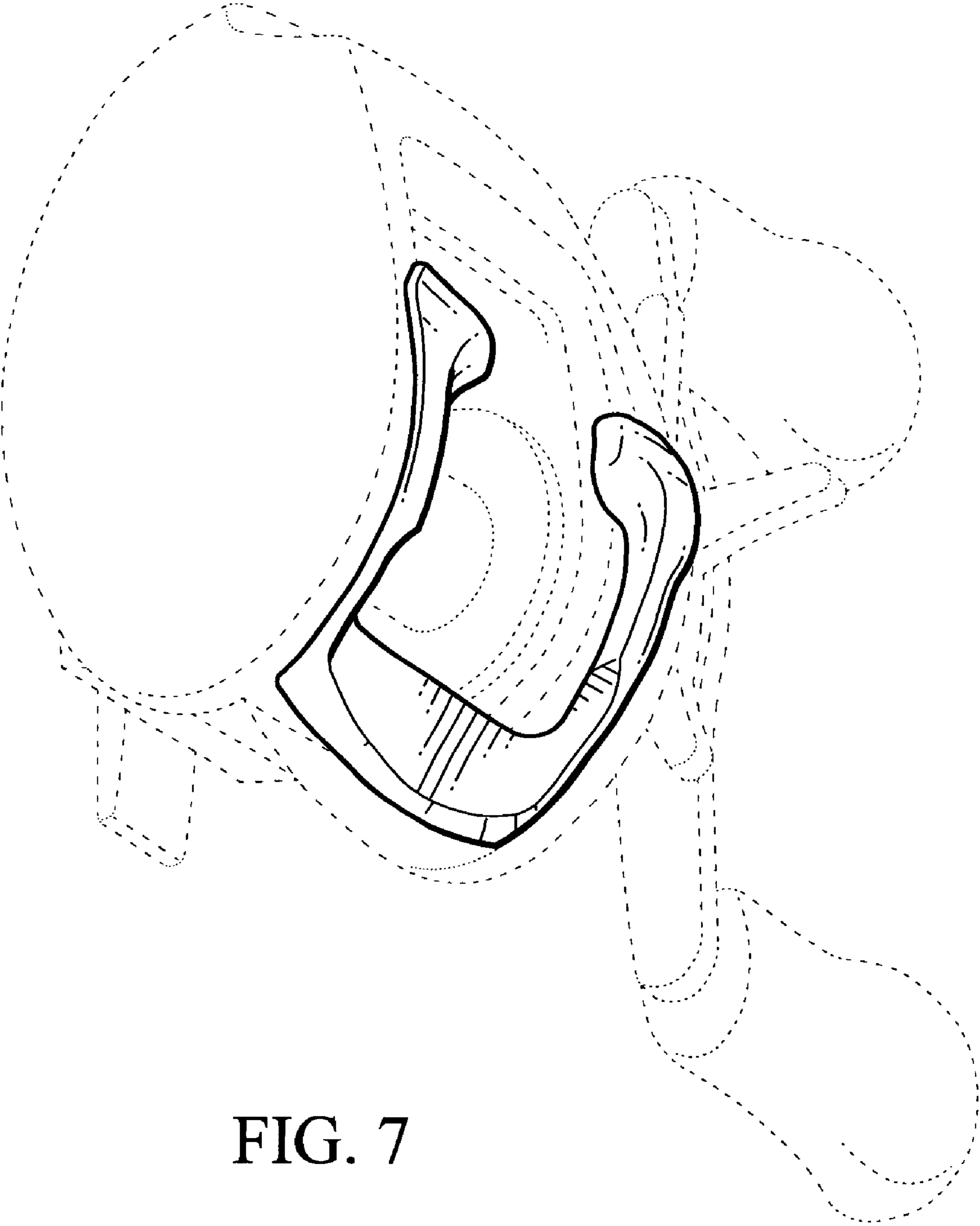


FIG. 7