

US00D504490S

(12) **United States Design Patent**  
**Bedros**

(10) **Patent No.:** **US D504,490 S**  
(45) **Date of Patent:** **\*\* Apr. 26, 2005**

(54) **REMOTE CONTROLLED FISHING DEVICE**

(76) Inventor: **Allan Bedros**, P.O. Box 42, Fairview,  
NJ (US) 07022

(\*\*) Term: **14 Years**

(21) Appl. No.: **29/205,957**

(22) Filed: **May 24, 2004**

**Related U.S. Application Data**

(63) Continuation-in-part of application No. 29/175,672, filed on  
Feb. 10, 2003.

(51) **LOC (7) Cl.** ..... **22-05**

(52) **U.S. Cl.** ..... **D22/134; D22/146**

(58) **Field of Search** ..... **D22/134, 144-146;**  
**43/17, 17.5, 26.1, 3; 446/154, 161; 114/144 A**

(56) **References Cited**

**U.S. PATENT DOCUMENTS**

798,344 A	8/1905	Holz et al.	43/26.1
1,773,973 A	8/1930	Edgar	446/154
2,964,874 A	12/1960	Ruiz	446/161
3,710,500 A	1/1973	Pena	43/17.5
3,765,362 A	10/1973	Gitchel	114/144 A
4,234,913 A	* 11/1980	Ramme	43/17.5
4,638,585 A	* 1/1987	Korte	43/26.1
4,964,835 A	10/1990	Suto	446/154
5,016,385 A	5/1991	Blease	43/26.1
5,077,929 A	1/1992	Khan	43/26.1
D332,820 S	1/1993	O'Brien et al.	D22/132
D334,792 S	* 4/1993	Flemming	D22/146

D337,147 S	*	7/1993	Tomaszewski	D22/132
5,309,664 A		5/1994	Wright	43/26.1
5,344,357 A		9/1994	Lyczek	446/154
5,363,587 A		11/1994	Nordling	43/26.1
5,377,439 A		1/1995	Roos et al.	43/3
5,581,932 A		12/1996	Bell	43/26.1
D378,119 S		2/1997	Roca Navarro	D22/145
5,806,232 A		9/1998	James	43/26.1
D419,636 S	*	1/2000	Houston	D22/146
6,041,537 A		3/2000	Sullivan	43/26.1
6,183,333 B1		2/2001	Hall	446/154
6,263,611 B1		7/2001	Kimura	43/26.1
D456,060 S		4/2002	Jacobson	D22/146
2001/0039910 A1		11/2001	Koda et al.	114/255

\* cited by examiner

*Primary Examiner*—Catherine R. Oliver

(74) *Attorney, Agent, or Firm*—Seth Natter; Natter &  
Natter

(57) **CLAIM**

The ornamental design for a remote controlled fishing  
device, as shown.

**DESCRIPTION**

FIG. 1 is a top plan view of a remote controlled fishing  
device showing my new design;  
FIG. 2 is a bottom view thereof;  
FIG. 3 is a front elevational view thereof;  
FIG. 4 is a rear elevational view thereof;  
FIG. 5 is a side elevational view thereof; and,  
FIG. 6 is an opposite side elevational view thereof.

**1 Claim, 3 Drawing Sheets**

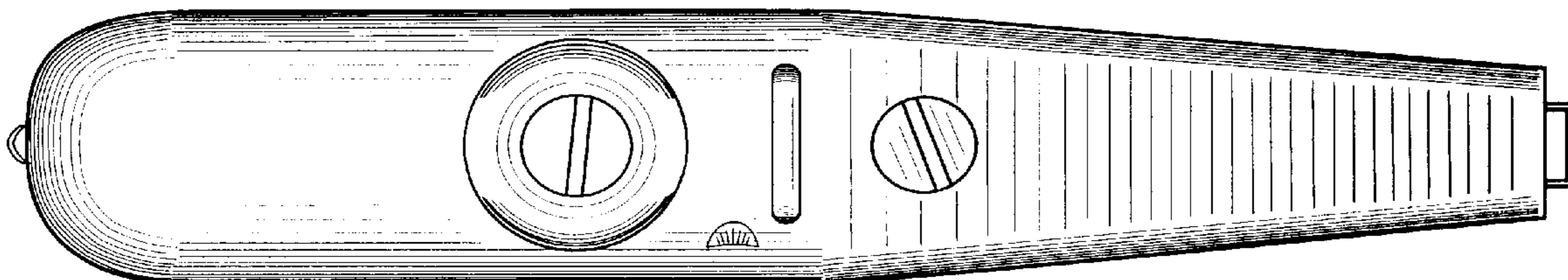


Fig 1

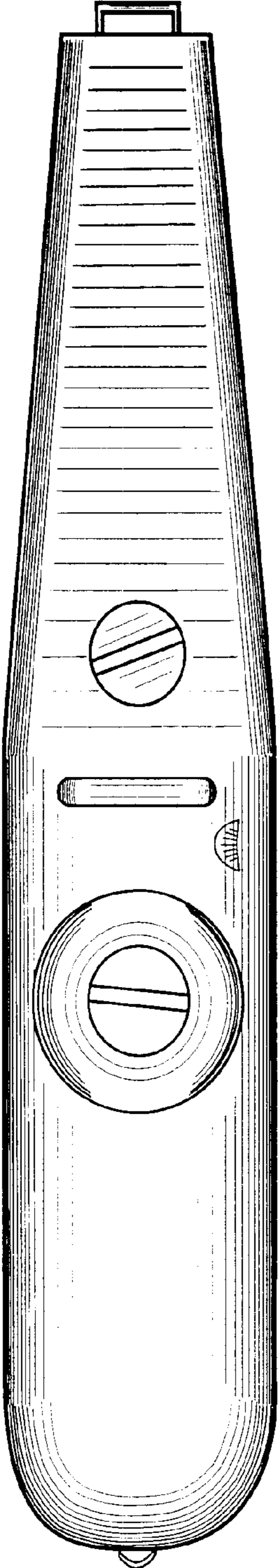


Fig 2

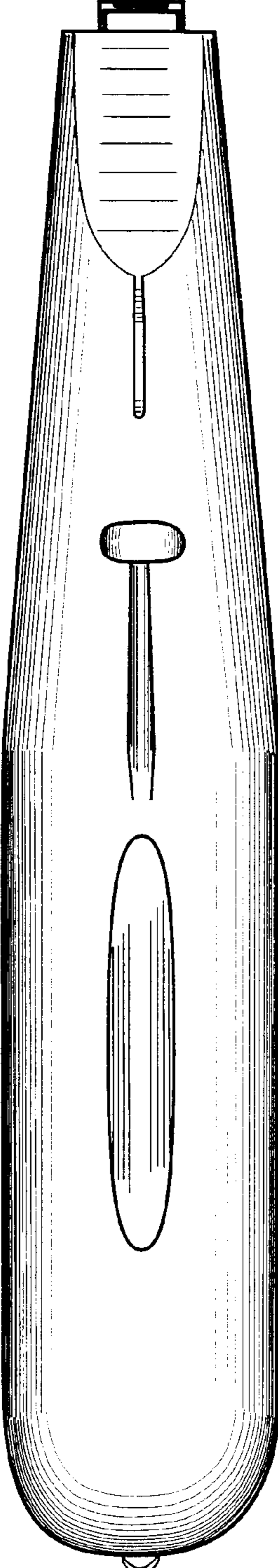


Fig 3

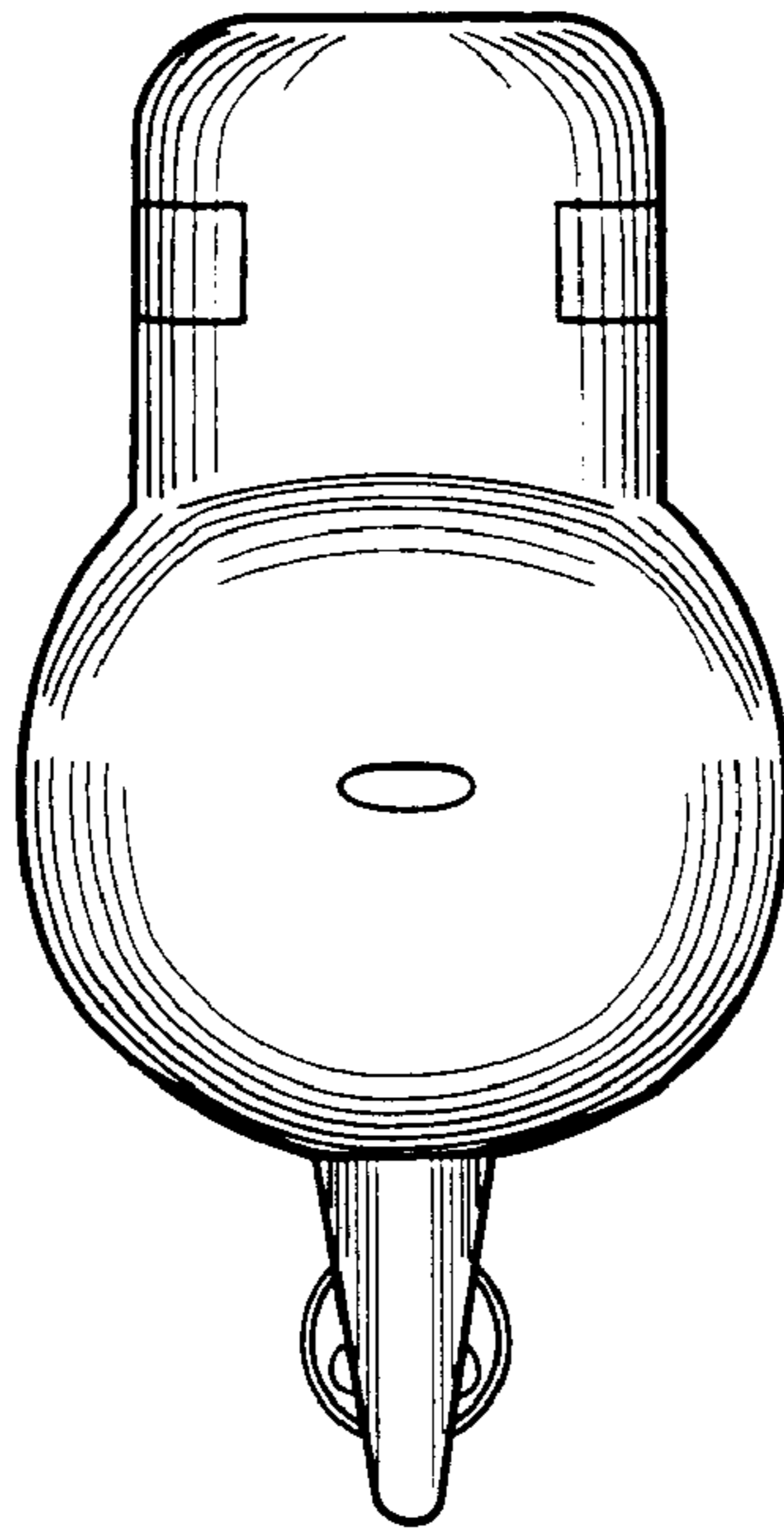
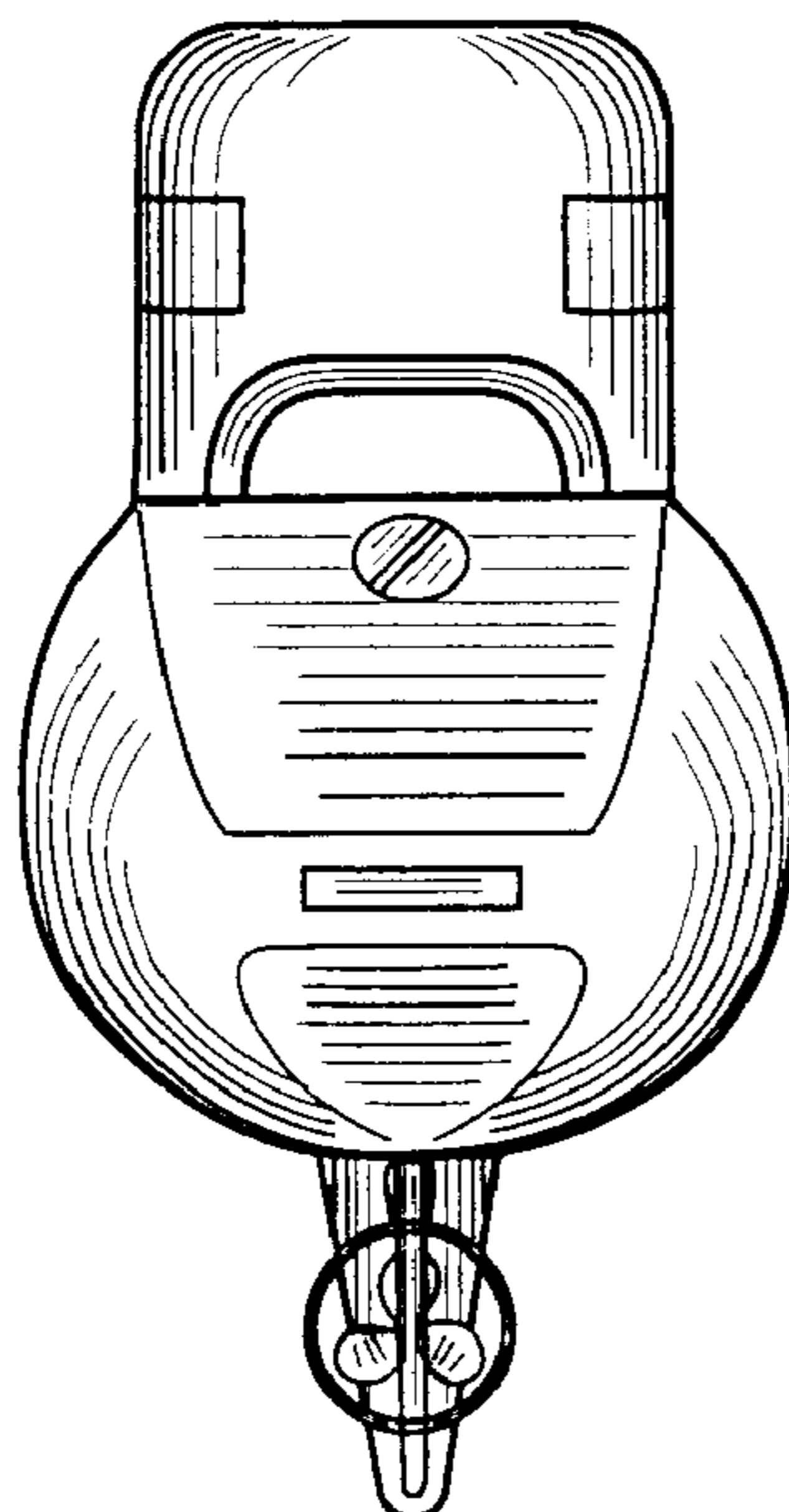


Fig 4



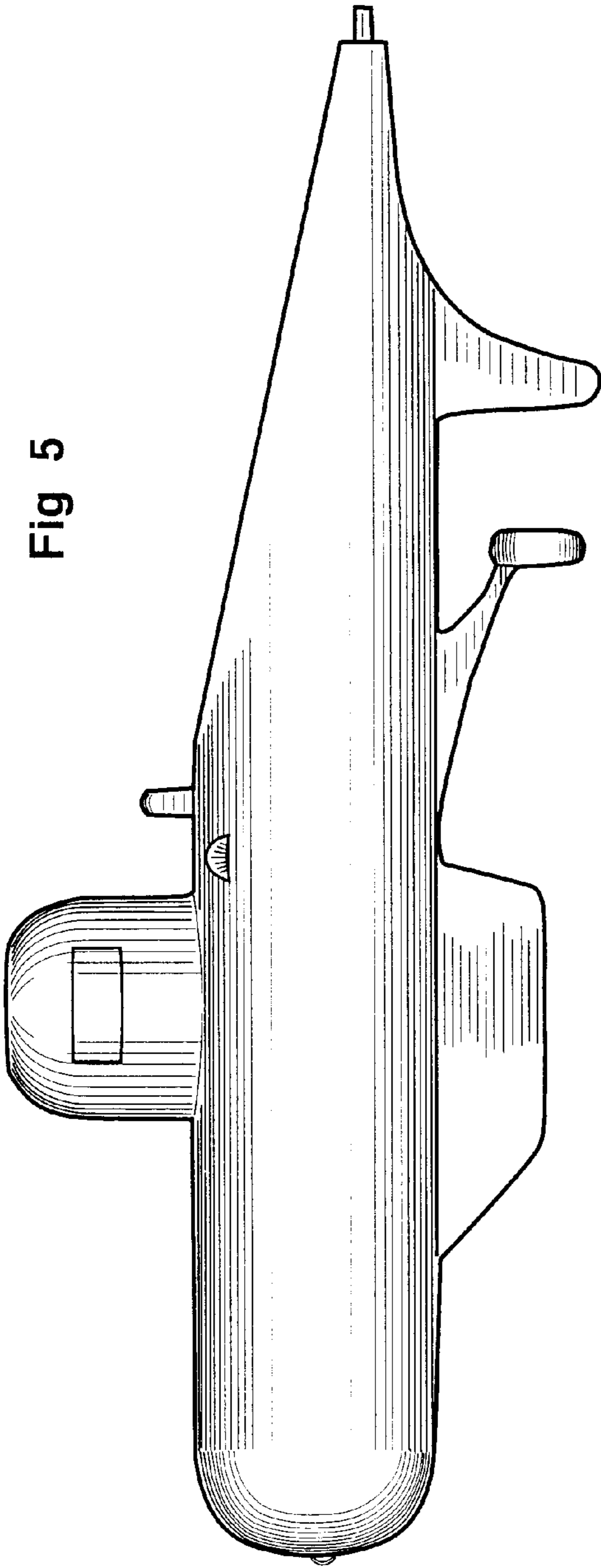


Fig 5

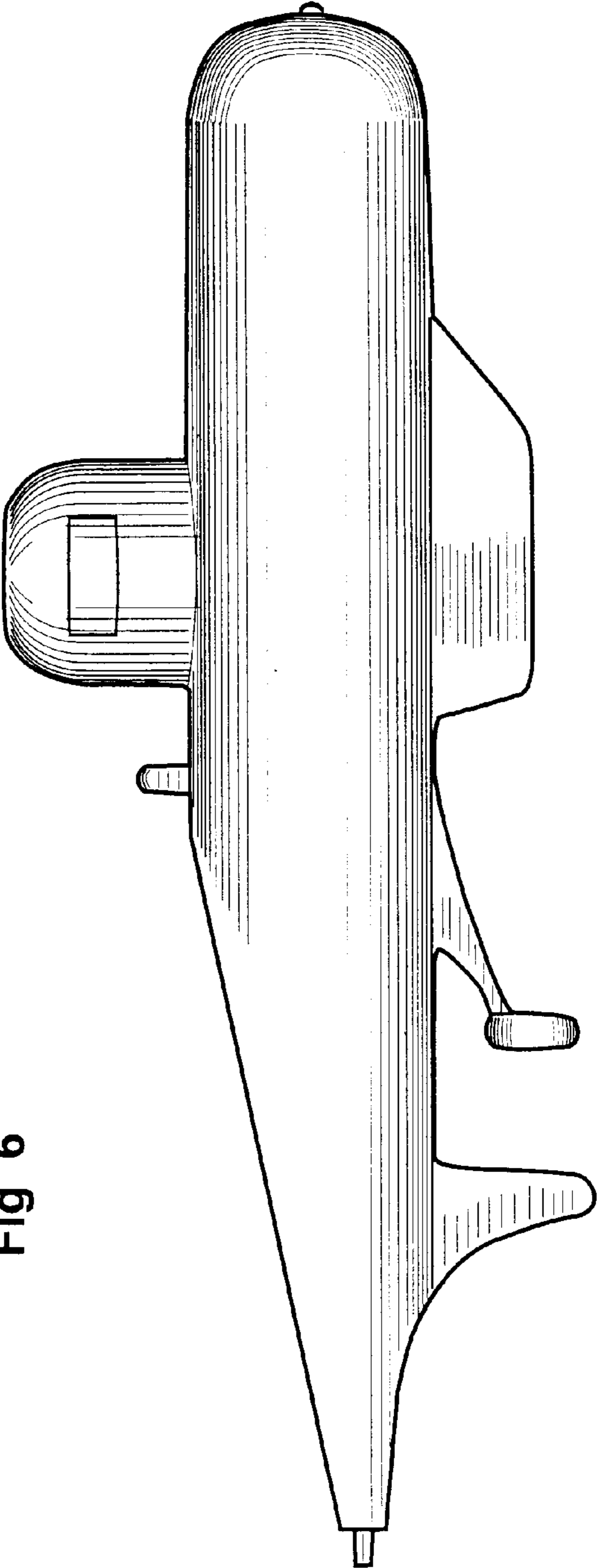


Fig 6