

US00D504482S

(12) **United States Design Patent**  
**Webb**

(10) **Patent No.:** **US D504,482 S**

(45) **Date of Patent:** **\*\* Apr. 26, 2005**

(54) **TRANSLUCENT GOLF HOLE CUP WITH  
REMOVABLE SLEEVE**

(76) **Inventor:** **Tim Webb**, c/o Tacit, Moat Farm Barn,  
Moat Farm Drive, Hillmorton, Rugby,  
Warwickshire (GB), CV21 4HQ

(\*\*) **Term:** **14 Years**

(21) **Appl. No.:** **29/185,202**

(22) **Filed:** **Jun. 25, 2003**

(51) **LOC (7) Cl.** ..... **21-02**

(52) **U.S. Cl.** ..... **D21/789**

(58) **Field of Search** ..... D21/789; 473/174-179

(56) **References Cited**

**U.S. PATENT DOCUMENTS**

1,813,696	A	*	7/1931	Crocker	473/176
1,943,610	A	*	1/1934	John	473/176
5,427,371	A	*	6/1995	Huston et al.	473/180
6,478,687	B1	*	11/2002	Colonello	473/175
6,676,531	B1	*	1/2004	Joswick	473/175
6,712,714	B1	*	3/2004	Joswick	473/175
2003/0096659	A1	*	5/2003	Webb	473/174
2003/0228922	A1	*	12/2003	Joswick	473/175
2003/0228923	A1	*	12/2003	Joswick	473/175
2004/0171431	A1	*	9/2004	Joswick	473/175

\* cited by examiner

*Primary Examiner*—Mitchell Siegel  
(74) *Attorney, Agent, or Firm*—Young & Thompson

(57) **CLAIM**

The ornamental design for a translucent golf hole cup with removable sleeve, as shown and described.

**DESCRIPTION**

FIG. 1 is a top plan view of the translucent golf hole cup with the sleeve removed;

FIG. 2 is a cross-sectional view taken on line 2—2 of FIG. 1;

FIG. 3 is a bottom plan view of FIG. 1;

FIG. 4 is a top plan view of the translucent golf hole cup with the sleeve in place;

FIG. 5 is a cross-sectional view taken on line 5—5 of FIG. 4;

FIG. 6 is a bottom plan view of FIG. 4;

FIG. 7 is a top plan view of the translucent golf hole cup with the sleeve partially in place;

FIG. 8 is a cross-sectional view taken on line 8—8 of FIG. 7;

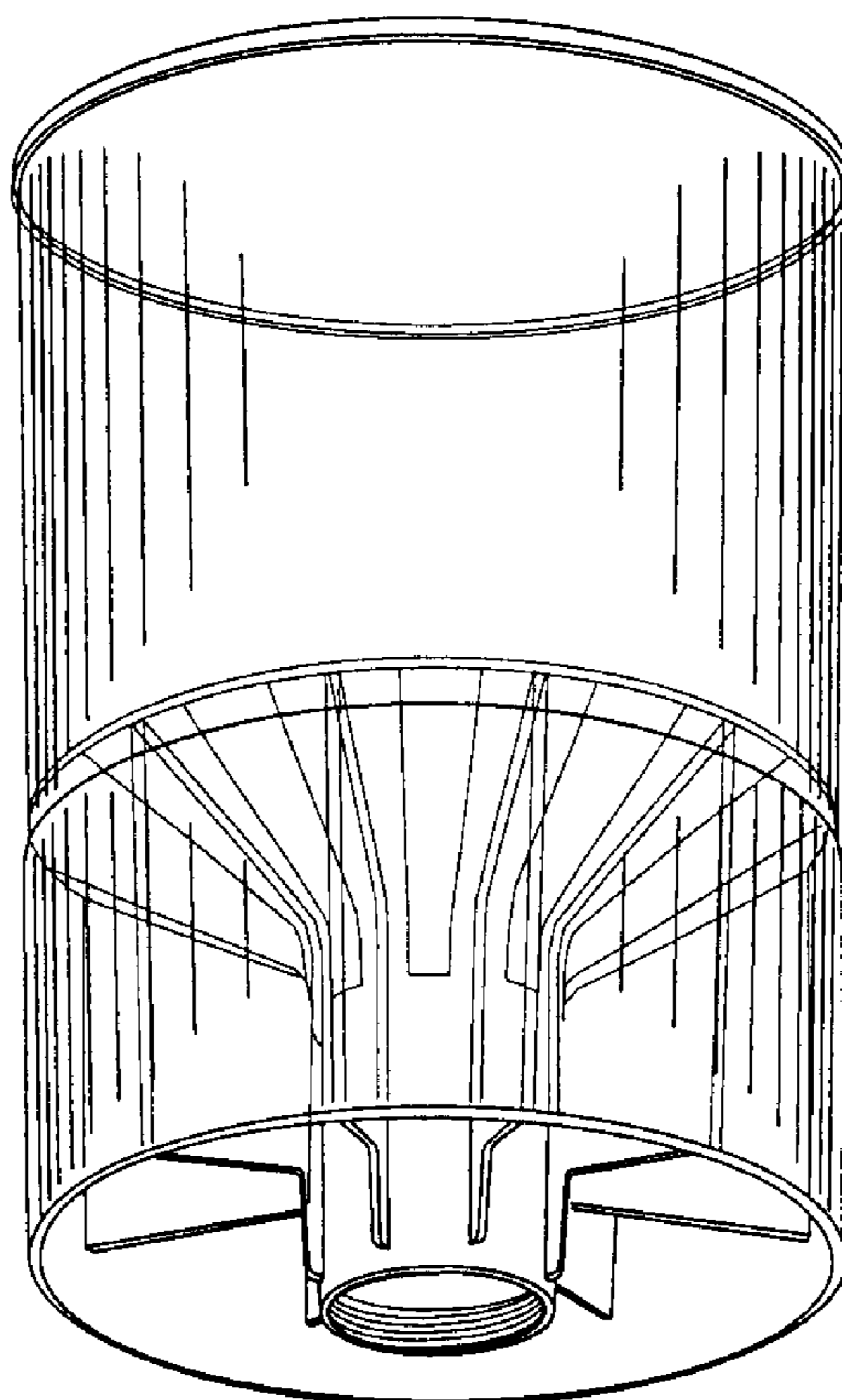
FIG. 9 is a bottom plan view of FIG. 7;

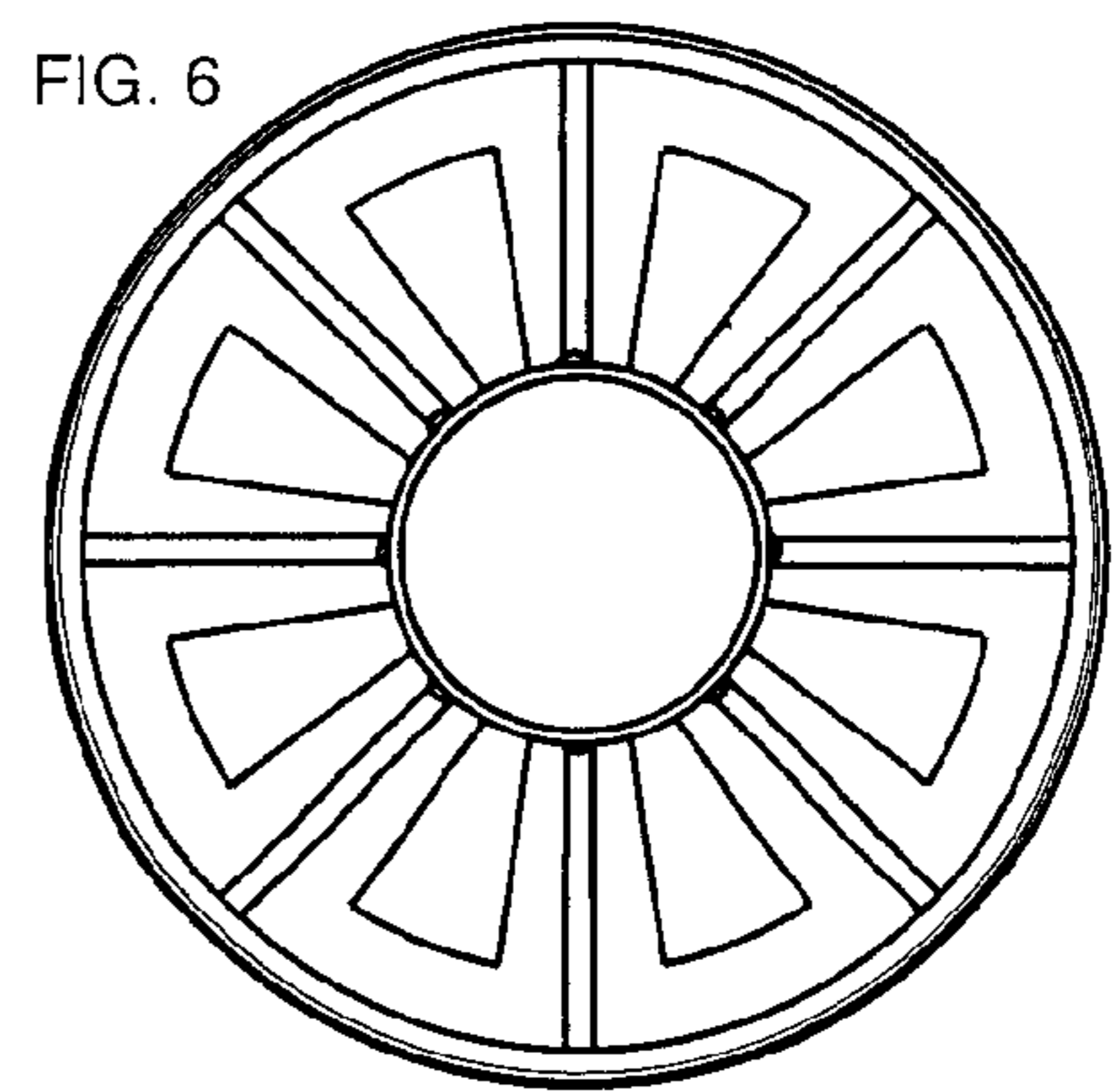
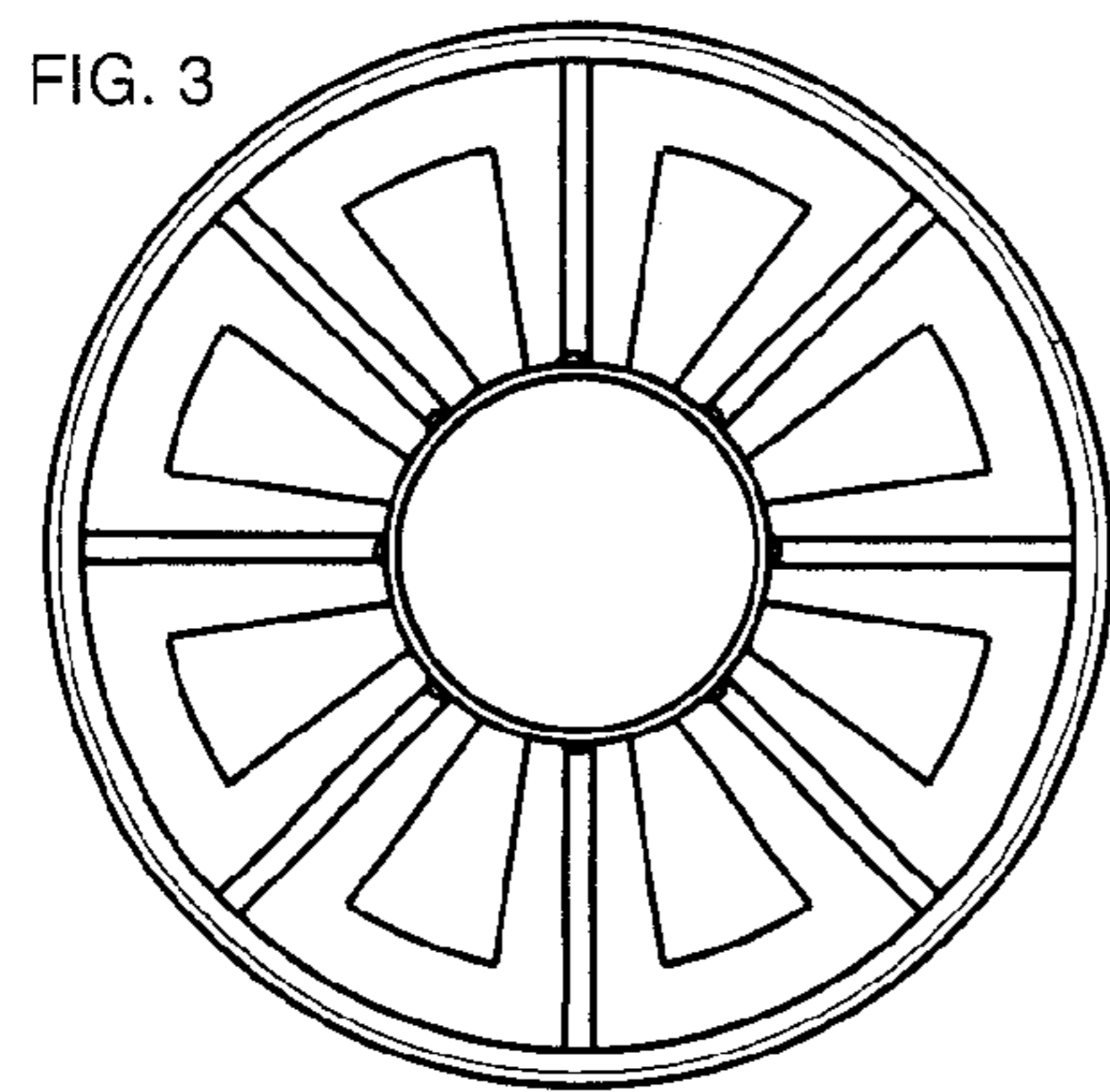
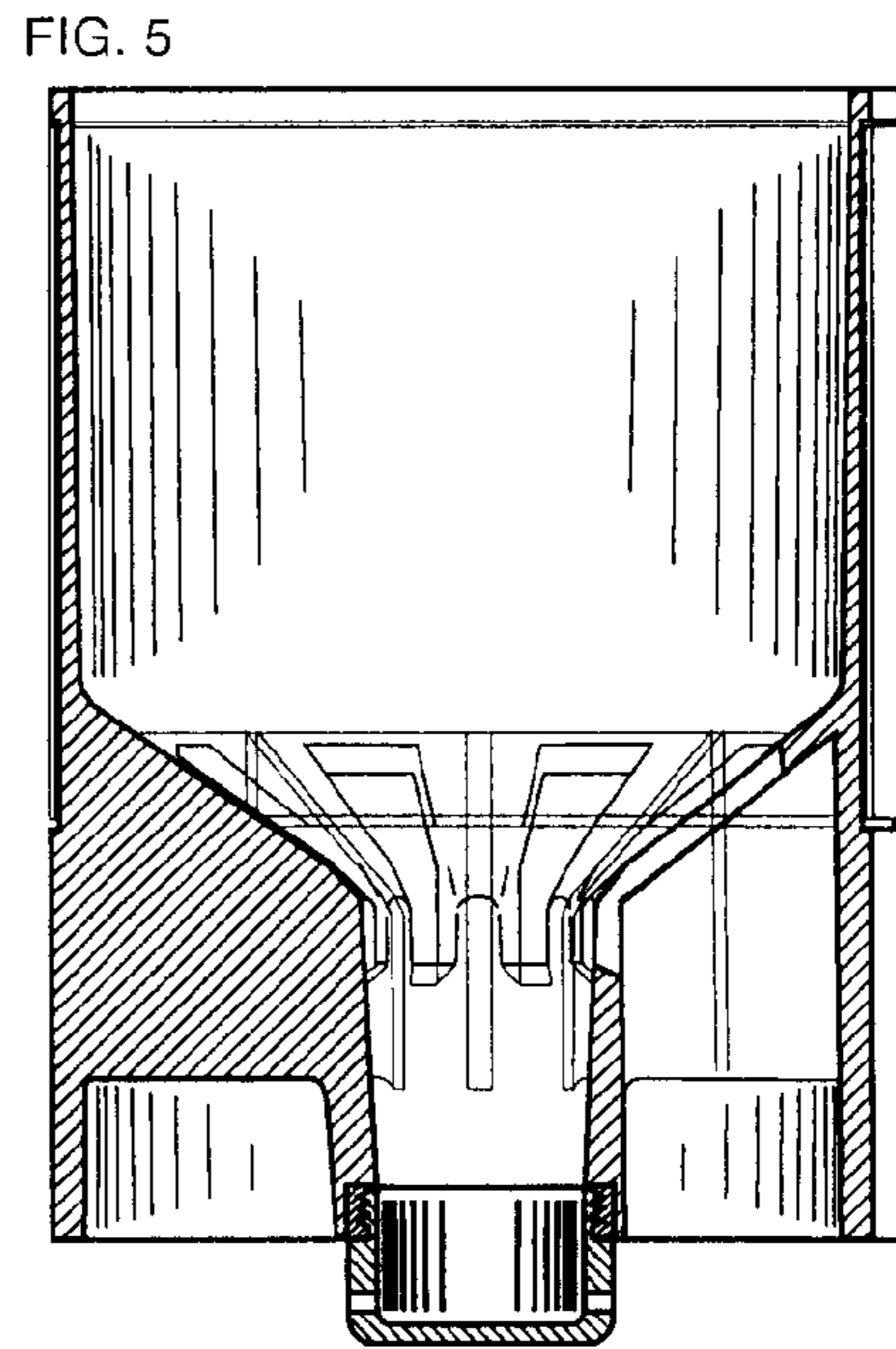
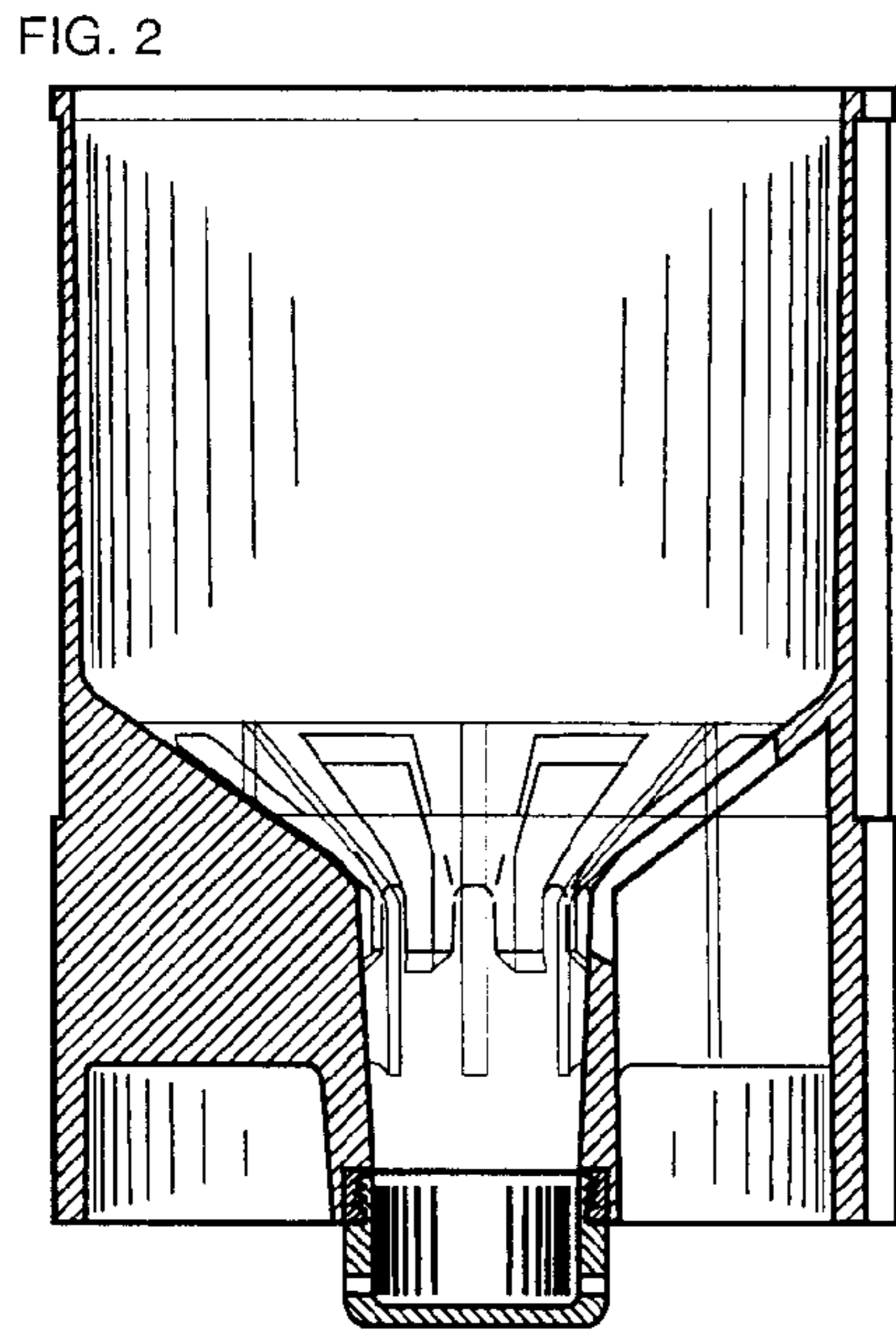
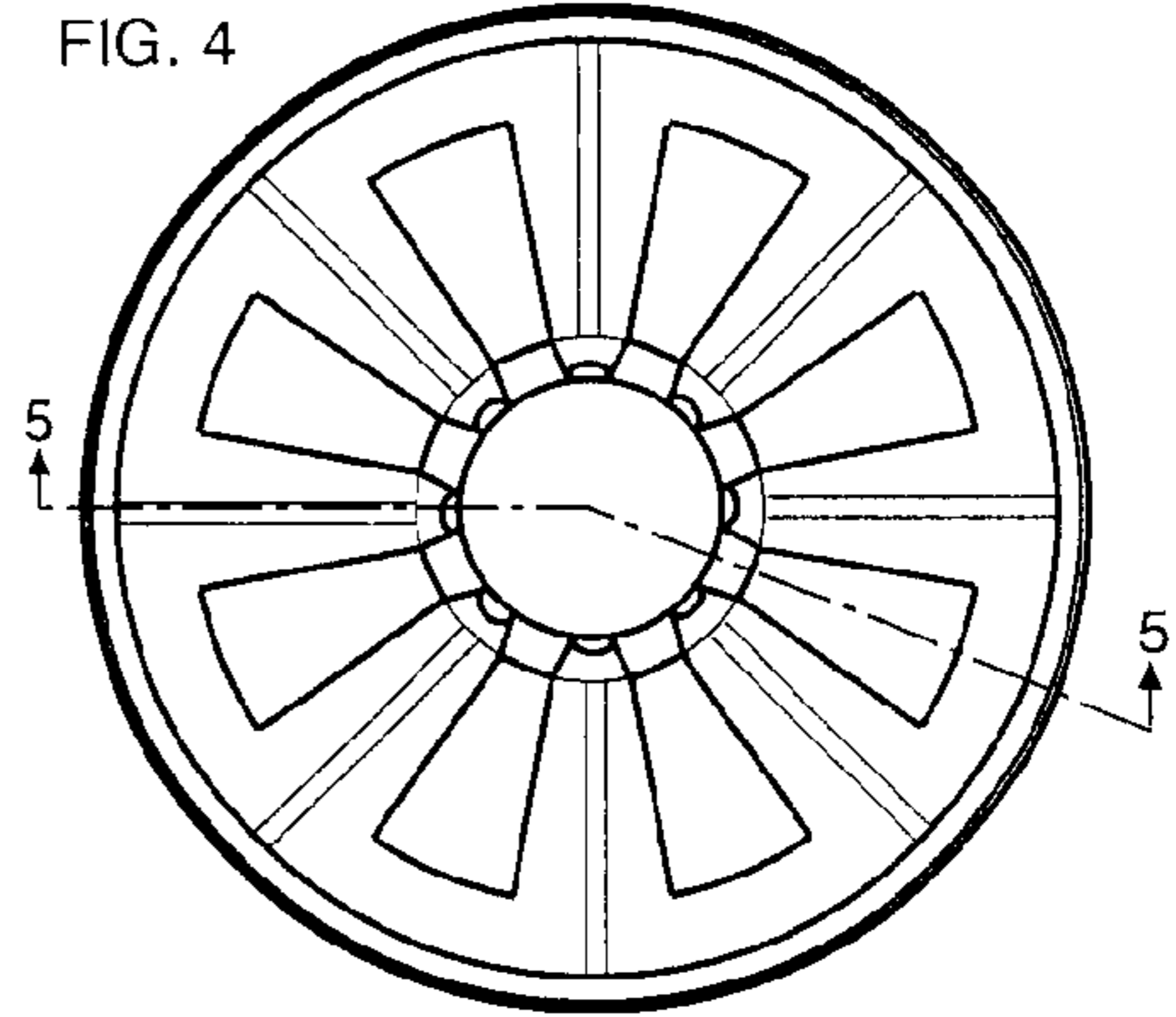
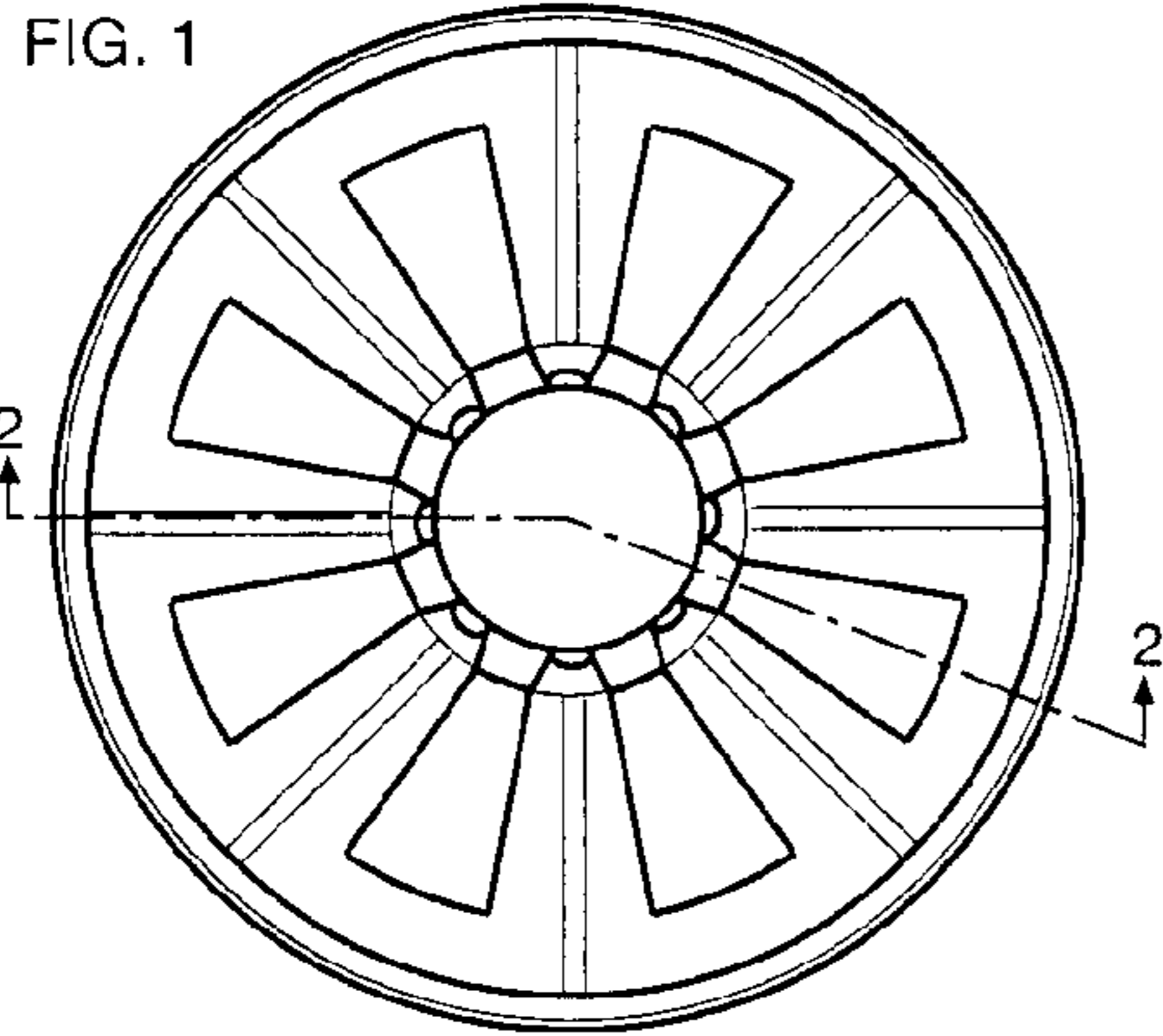
FIG. 10 is a bottom perspective view of FIG. 1;

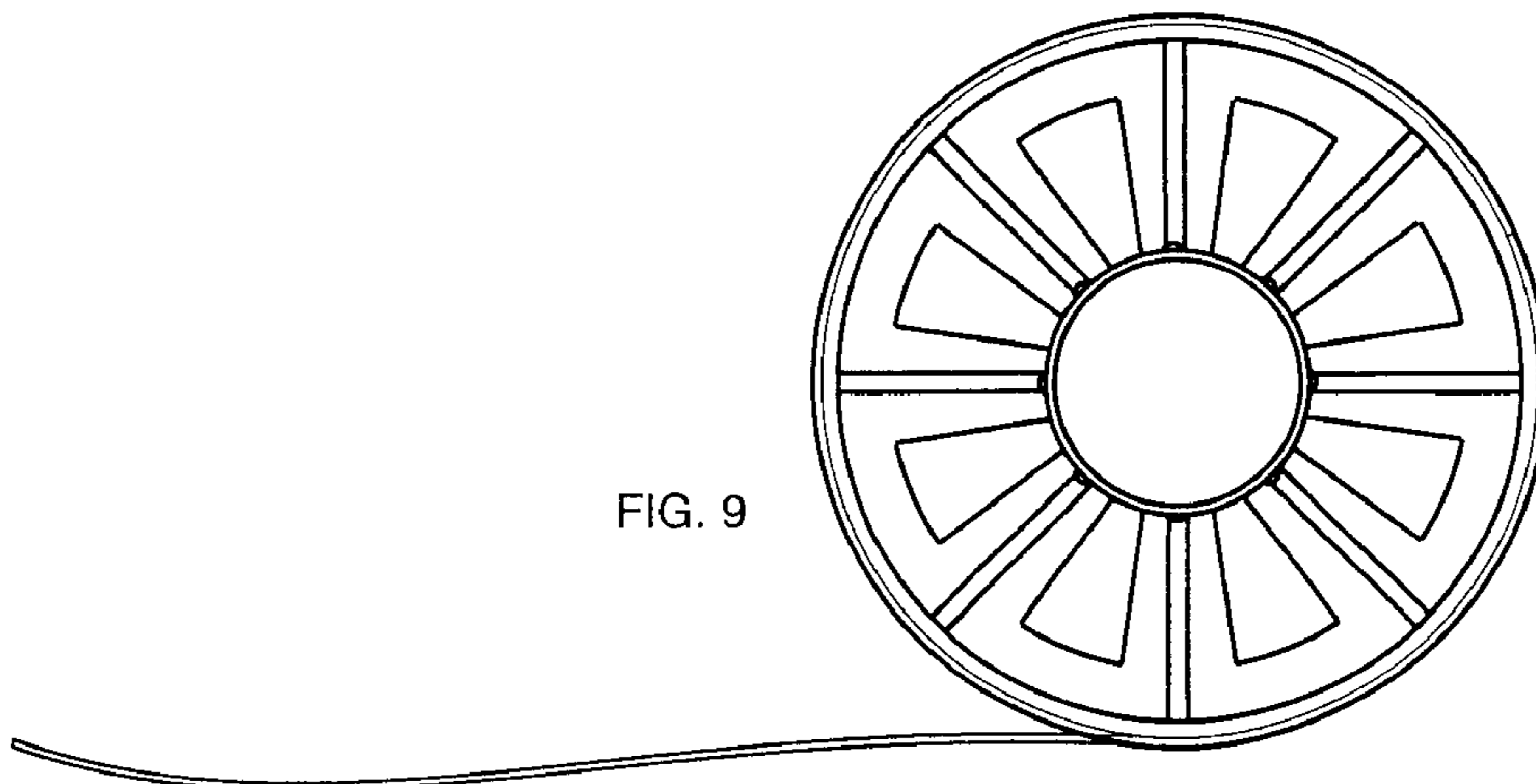
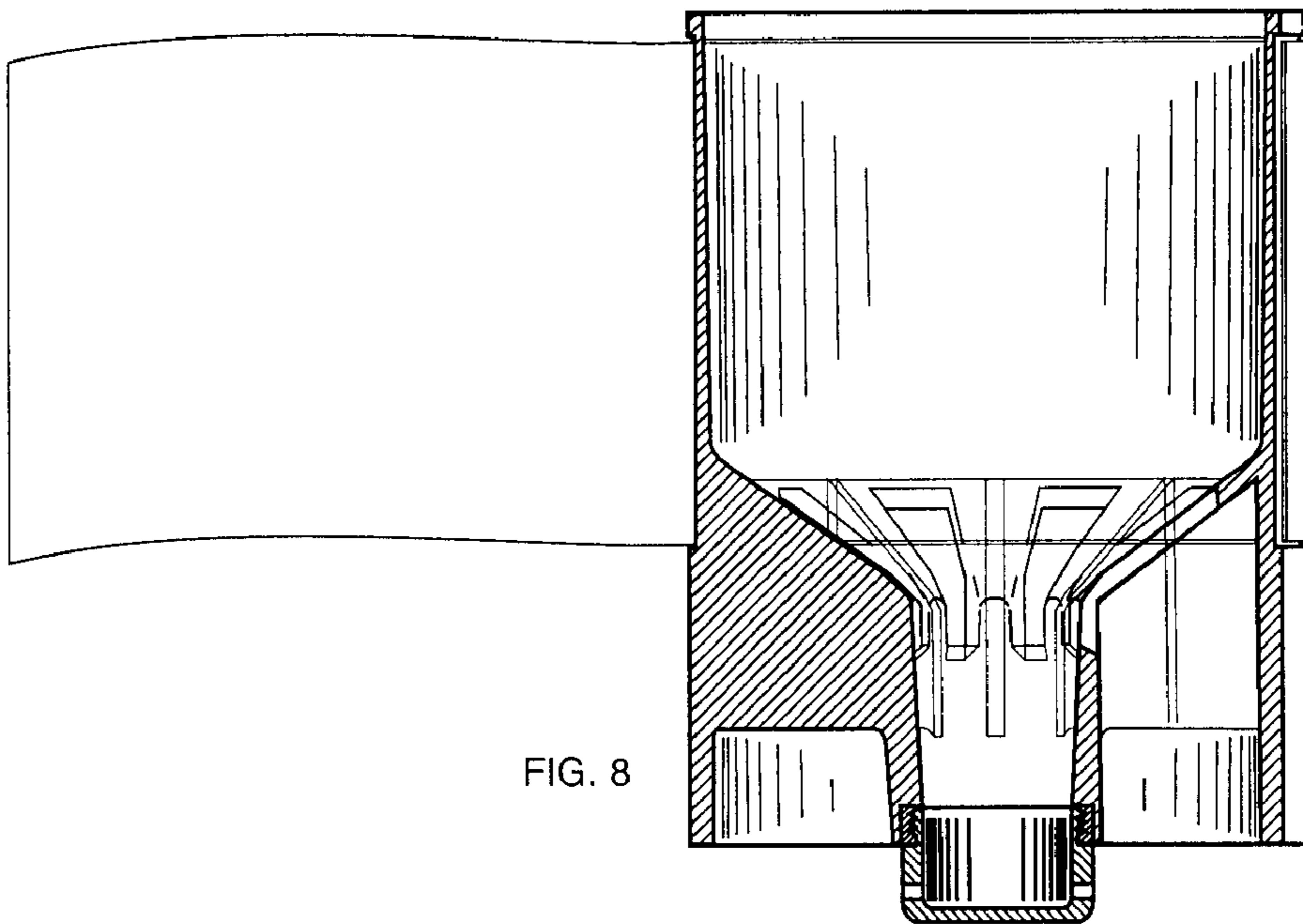
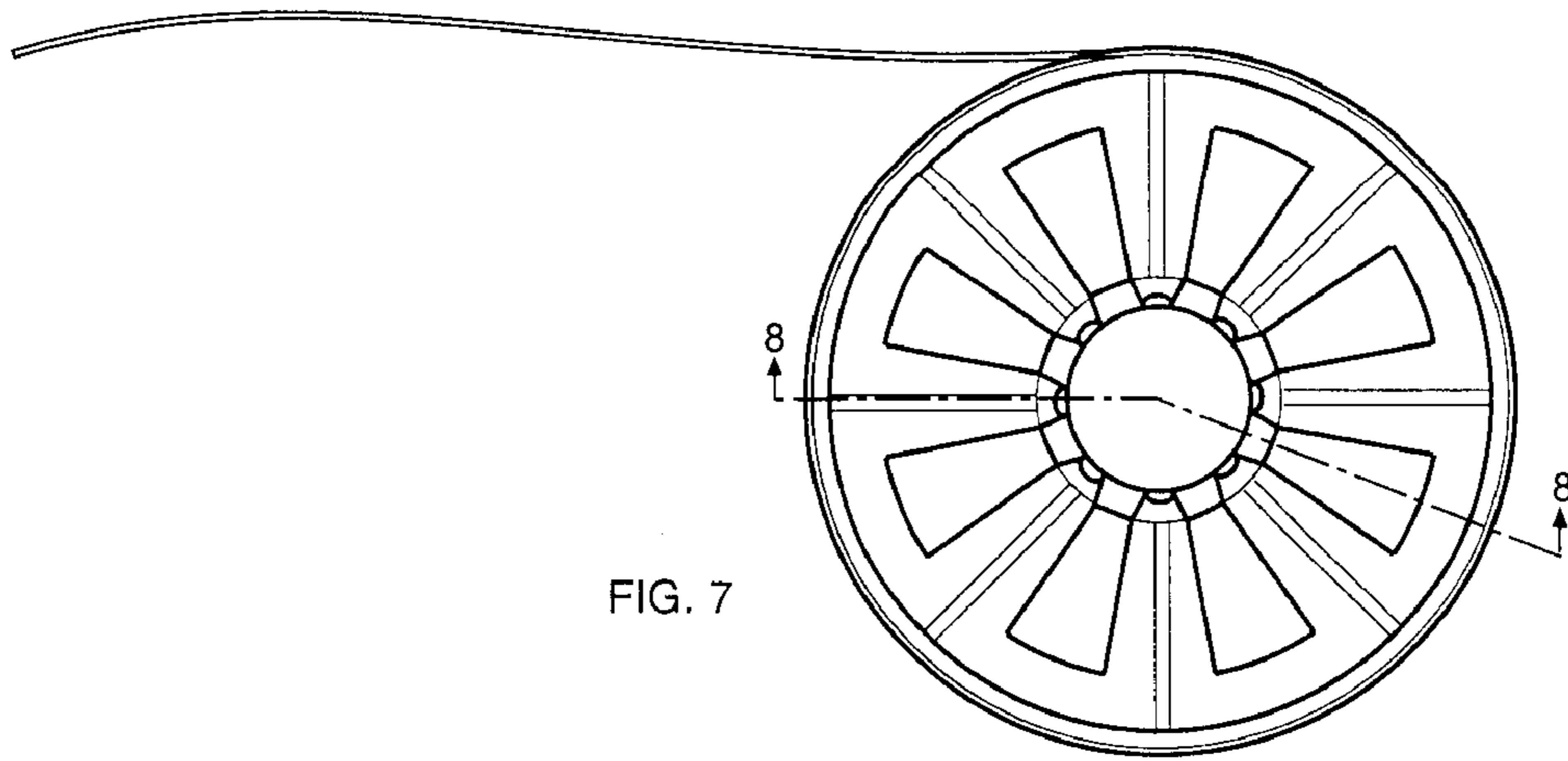
FIG. 11 is a bottom perspective view of FIG. 4; and,

FIG. 12 is a bottom perspective view of FIG. 7.

**1 Claim, 3 Drawing Sheets**







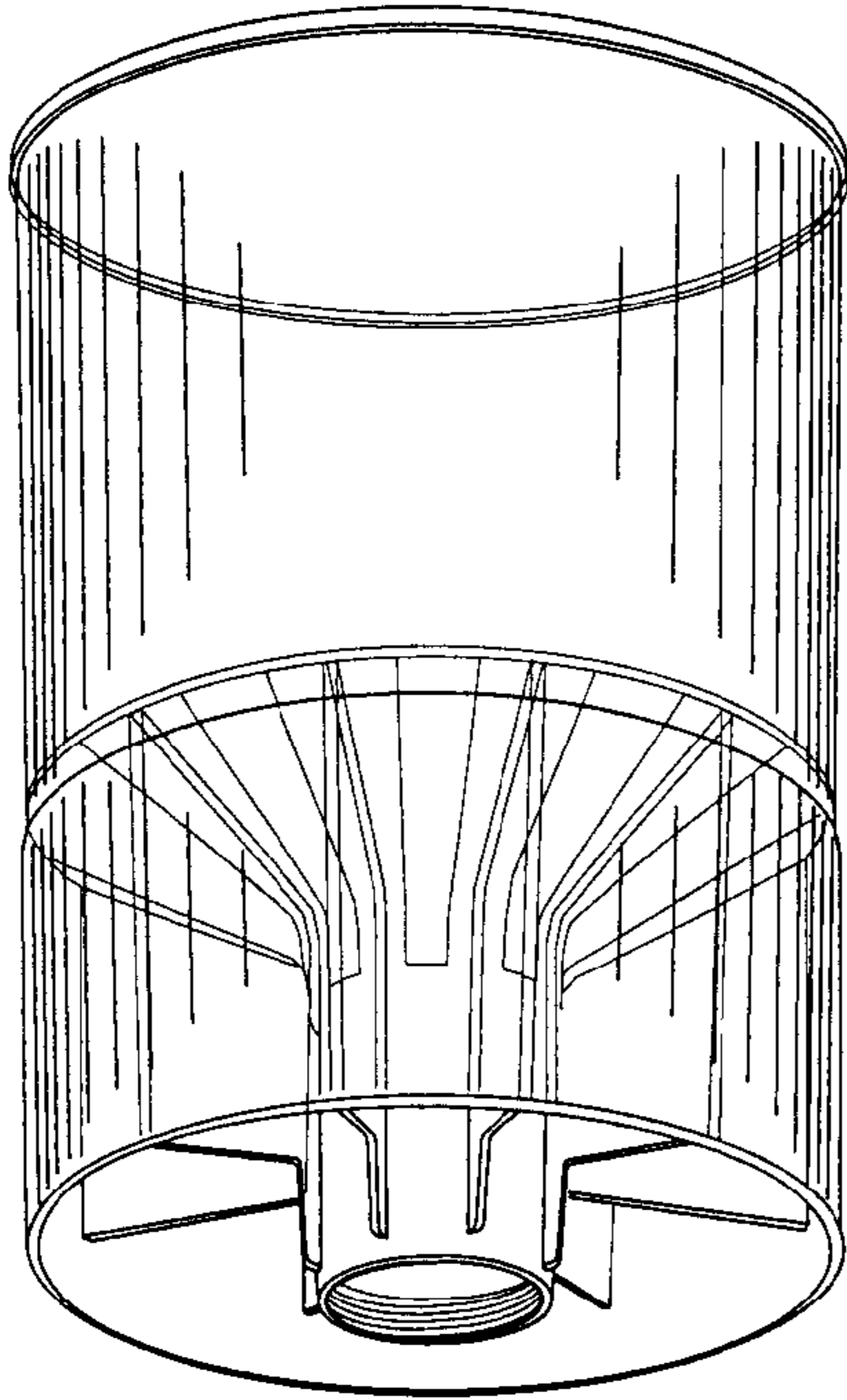


FIG. 10

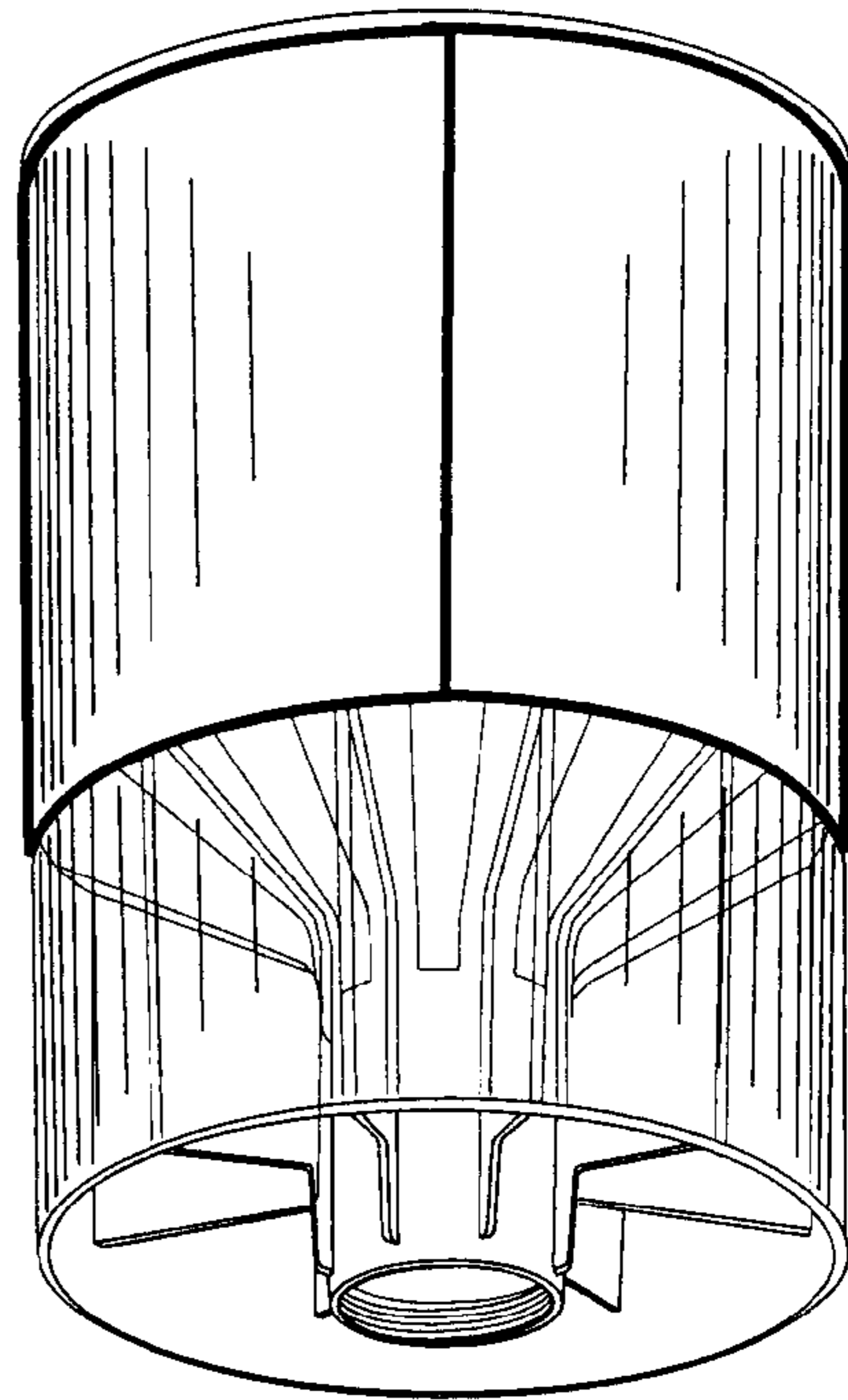


FIG. 11

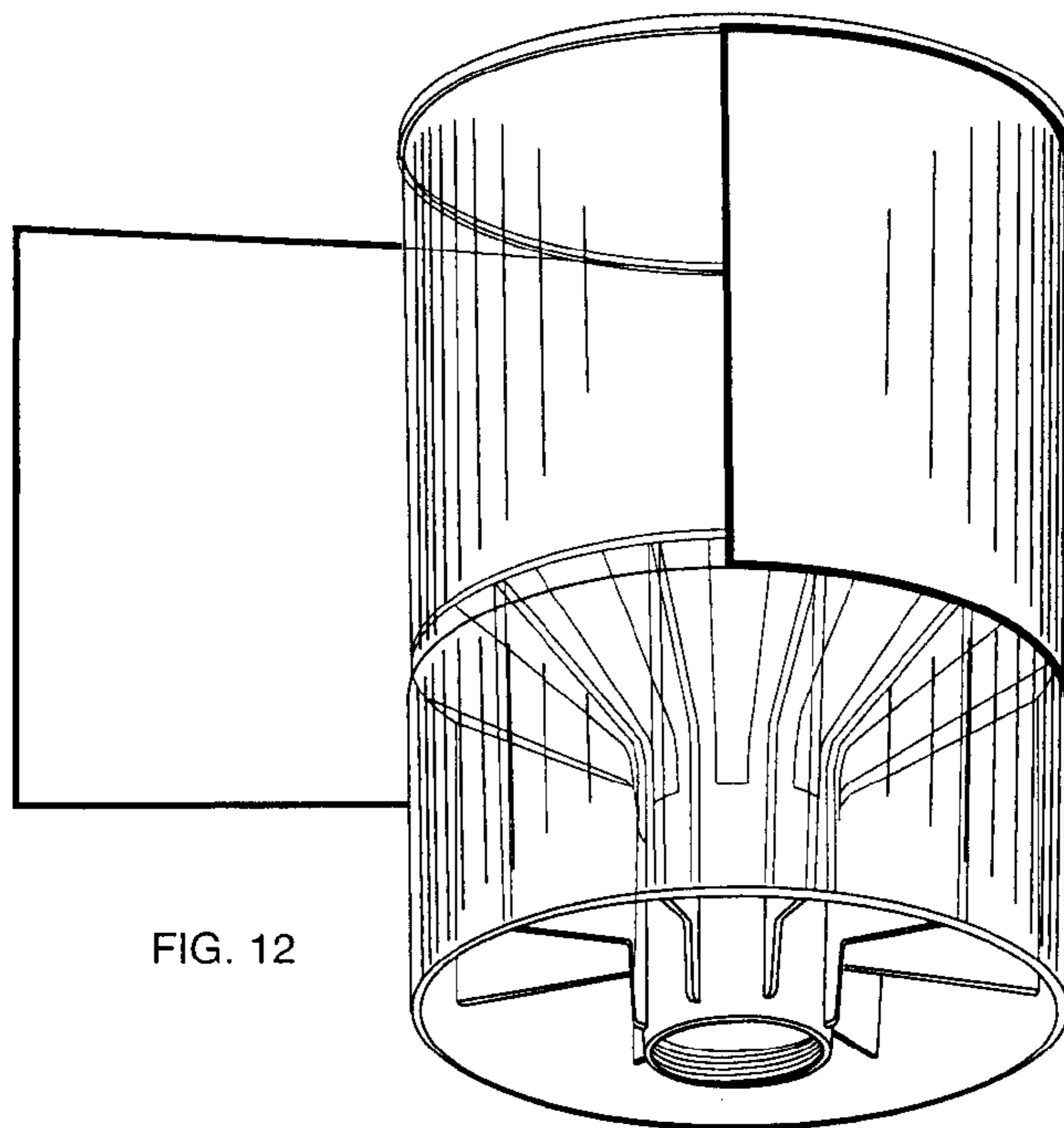


FIG. 12