



US00D504476S

(12) **United States Design Patent**  
**Balanchi**

(10) **Patent No.:** **US D504,476 S**

(45) **Date of Patent:** **\*\* Apr. 26, 2005**

(54) **CONSTRUCTION MEMBER FOR  
MAGNETIC CONSTRUCTION TOY**

(76) Inventor: **Steven H. Balanchi**, 2217 El Sol Ave.,  
Altadena, CA (US) 91001

(\*\*) Term: **14 Years**

(21) Appl. No.: **29/202,286**

(22) Filed: **Mar. 29, 2004**

(51) **LOC (7) Cl.** ..... **21-01**

(52) **U.S. Cl.** ..... **D21/489; D21/484**

(58) **Field of Search** ..... **D21/484-511;**  
446/85, 92, 102-104, 108-117, 120-121,  
125

(56) **References Cited**

**U.S. PATENT DOCUMENTS**

3,940,100	A	*	2/1976	Haug	.....	446/114
D313,436	S	*	1/1991	Erickson	.....	D21/489
D404,088	S	*	1/1999	Glickman et al.	.....	D21/505
D404,089	S	*	1/1999	Glickman et al.	.....	D21/489
6,089,941	A	*	7/2000	Glickman et al.	.....	446/108
6,626,727	B1	*	9/2003	Balanchi	.....	446/92
6,702,641	B1	*	3/2004	Oakley	.....	446/120
6,715,255	B1	*	4/2004	Schipani et al.	.....	446/117

\* cited by examiner

*Primary Examiner*—Raphael Barkai

(74) *Attorney, Agent, or Firm*—Frederick Gotha

(57) **CLAIM**

The ornamental design for a construction member for magnetic construction toy, as shown and described.

**DESCRIPTION**

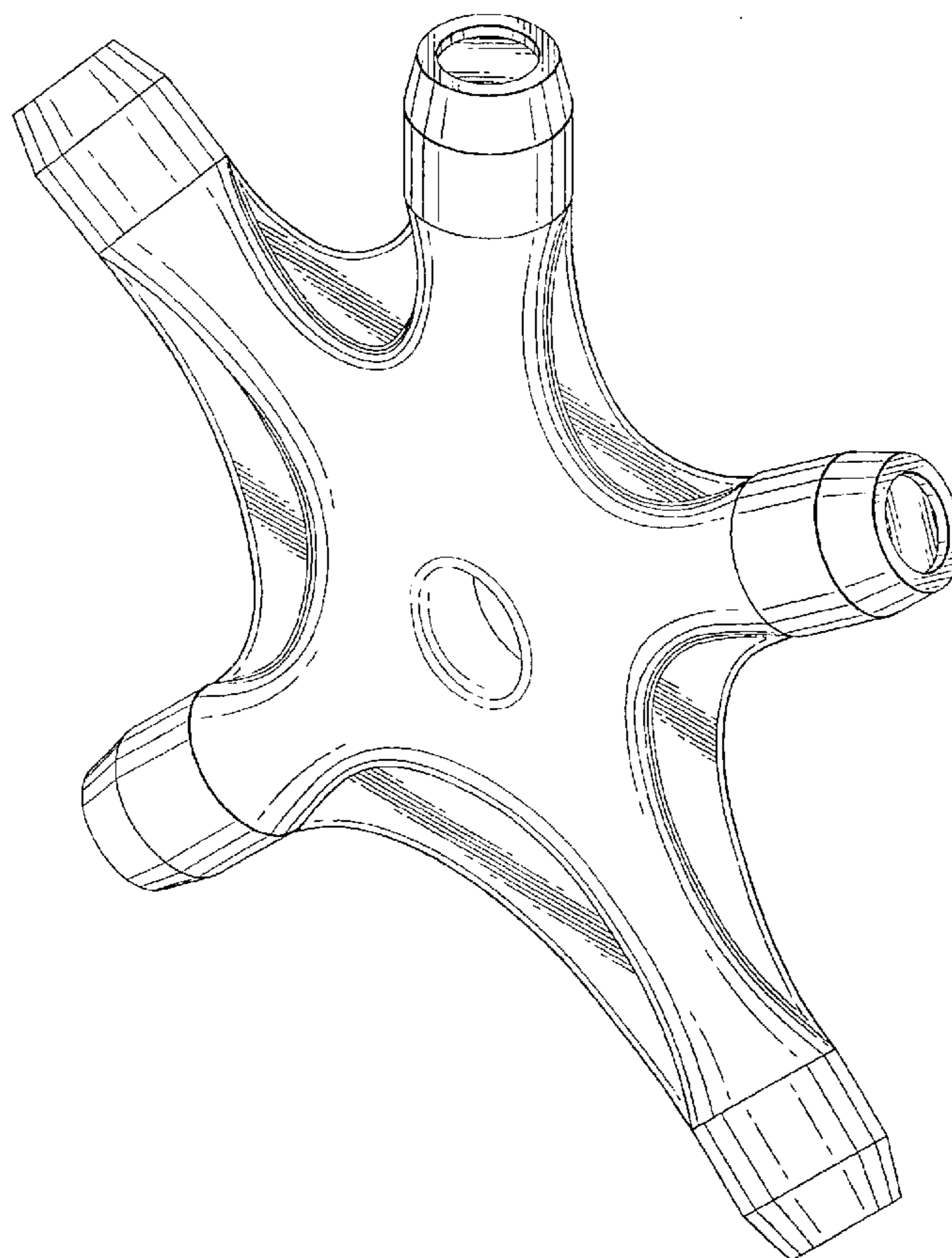
FIG. 1 is a frontal perspective view of a construction member for magnetic construction toy having an axis AA<sup>1</sup>, BB<sup>1</sup>, and CC<sup>1</sup> in phantom lines showing my new design;

FIG. 2 is a front view of the construction member for magnetic construction toy shown in perspective in FIG. 1 where the rear view is a mirror image thereof;

FIG. 3 is a top view of FIG. 2 along Axis AA<sup>1</sup> in the direction A to A<sup>1</sup>, and is the mirror image of the side view of FIG. 2 along Axis CC<sup>1</sup> in the direction C to C<sup>1</sup>, and is the mirror image of the side view of FIG. 2 along Axis BB<sup>1</sup> in the direction B to B<sup>1</sup>; and,

FIG. 4 is a bottom view of FIG. 2 along Axis AA<sup>1</sup> in the direction A<sup>1</sup> to A and is the mirror image of the side view of FIG. 2 along Axis CC<sup>1</sup> in the direction C<sup>1</sup> to C, and is the mirror image of the side view of FIG. 2 along Axis BB<sup>1</sup> in the direction B<sup>1</sup> to B.

**1 Claim, 2 Drawing Sheets**



*FIG. 1*

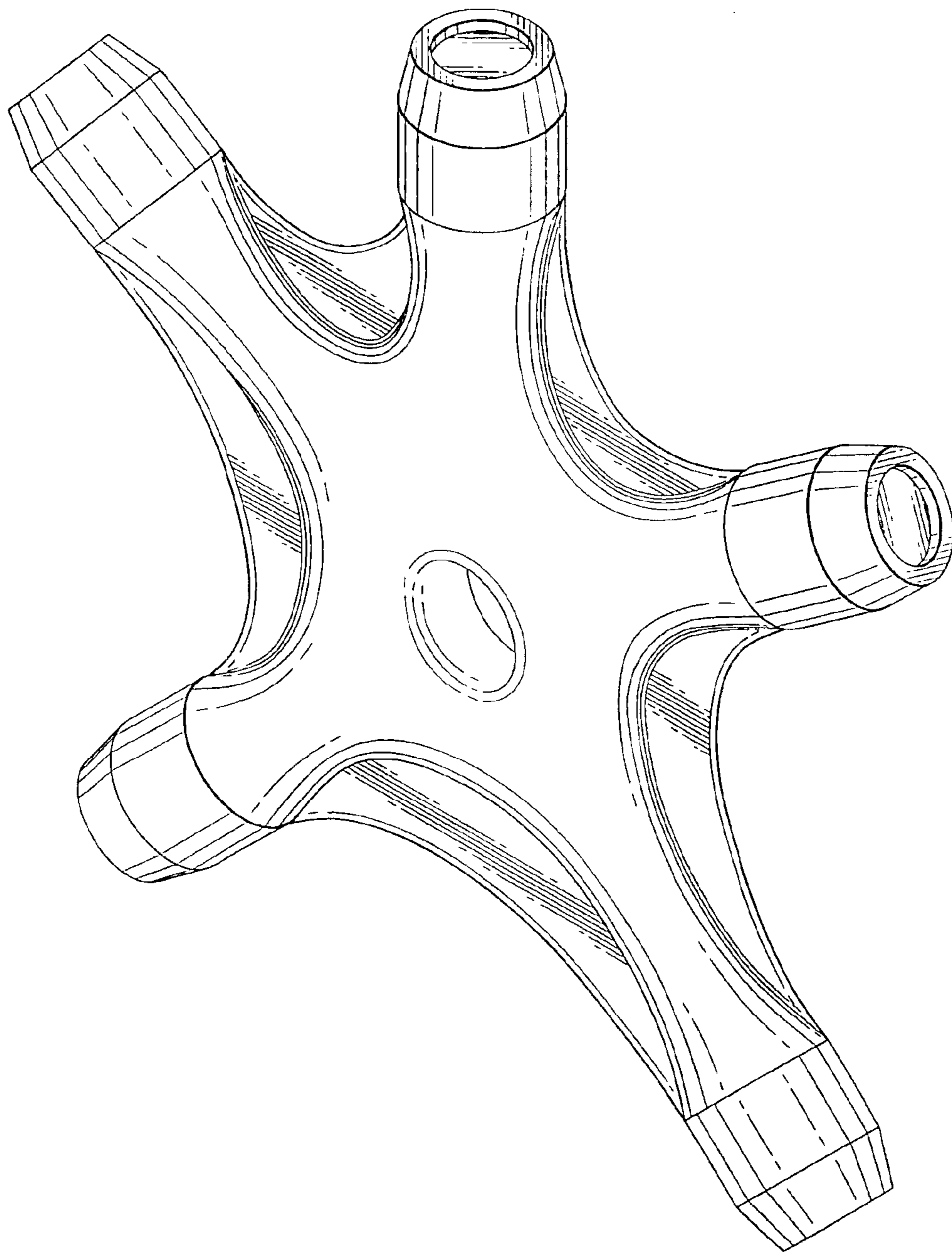


FIG. 3

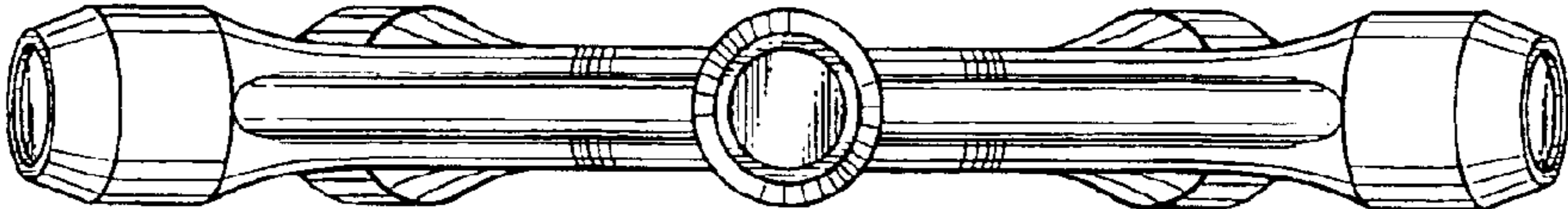


FIG. 2

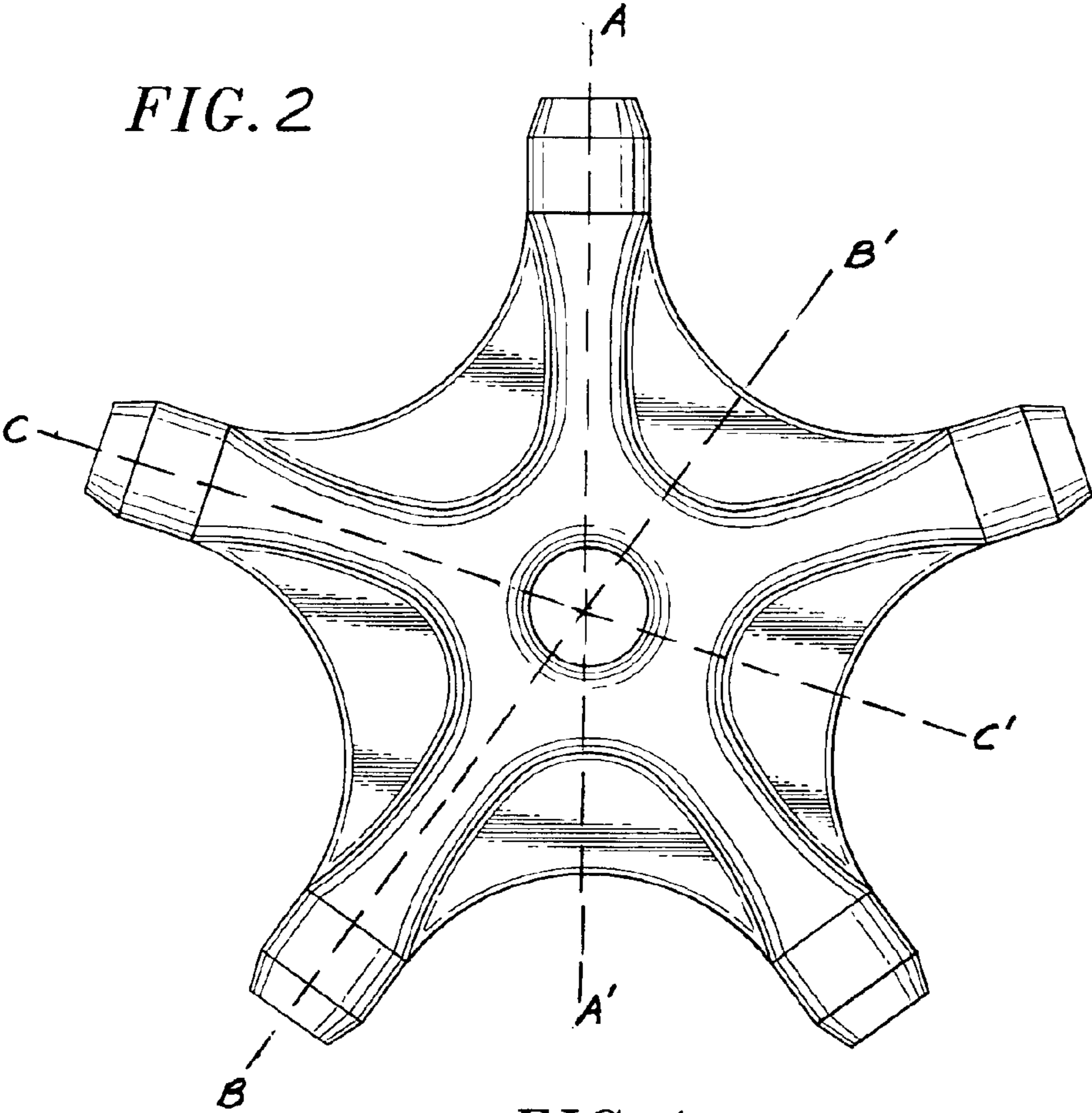


FIG. 4

