

US00D504471S

(12) **United States Design Patent**
Hadley

(10) **Patent No.:** **US D504,471 S**

(45) **Date of Patent:** **** Apr. 26, 2005**

- (54) **DISPLAY SIGN**
- (76) Inventor: **John Hadley**, 306 S. 295th Pl., Federal Way, WA (US) 98003
- (**) Term: **14 Years**
- (21) Appl. No.: **29/208,430**
- (22) Filed: **Jun. 29, 2004**
- (51) **LOC (7) Cl.** **20-03**
- (52) **U.S. Cl.** **D20/31**
- (58) **Field of Search** D20/10, 13, 19, D20/21, 27, 31-33, 39-42, 99; 40/124.01, 514, 538-540, 590, 603, 606.12, 607.01, 607.03; 362/812

- D375,527 S * 11/1996 Keogh D20/31
- 5,680,720 A 10/1997 Asazuma et al.
- 5,694,110 A 12/1997 Clifford
- D399,261 S 10/1998 Humphrey
- 5,901,491 A 5/1999 Caldwell
- D412,015 S 7/1999 Greenfield
- 6,092,318 A 7/2000 Arie et al.
- D438,906 S 3/2001 Ritchey
- 6,367,750 B1 4/2002 Ford
- D462,999 S 9/2002 Evans et al.
- 6,448,905 B1 * 9/2002 Jones 340/907
- D463,997 S 10/2002 Hintz
- D467,976 S 12/2002 Herbst
- D472,182 S 3/2003 Whitman
- 2001/0032404 A1 10/2001 Hillstrom
- 2002/0053153 A1 5/2002 Nesbitt et al.
- 2002/0070321 A1 6/2002 Womack
- 2002/0088157 A1 7/2002 Winterton et al.

(56) **References Cited**

U.S. PATENT DOCUMENTS

- D26,080 S * 9/1896 Wood D20/33
- D58,098 S * 6/1921 Morrill D20/32
- 2,007,684 A 1/1935 Kull
- 2,162,998 A 4/1939 Fisher
- D136,433 S * 10/1943 Davis D32/59
- D153,814 S * 5/1949 Margolis D20/32
- 2,704,910 A * 3/1955 Paige 446/388
- D294,274 S 2/1988 Peyton
- 4,793,081 A 12/1988 Andrae et al.
- D301,992 S 7/1989 Zumwalt
- D307,606 S * 5/1990 Jervis, Sr. D20/31
- D308,229 S * 5/1990 Jervis, Sr. D20/31
- D308,398 S 6/1990 Sartz
- 5,125,177 A * 6/1992 Colting 40/610
- D337,354 S * 7/1993 Childs D21/400
- D355,675 S 2/1995 Craig et al.
- 5,406,463 A 4/1995 Schexnayder, Sr.
- 5,566,483 A 10/1996 Ogren

* cited by examiner

Primary Examiner—Robert M. Spear
(74) *Attorney, Agent, or Firm*—Christensen O'Connor Johnson Kindness PLLC

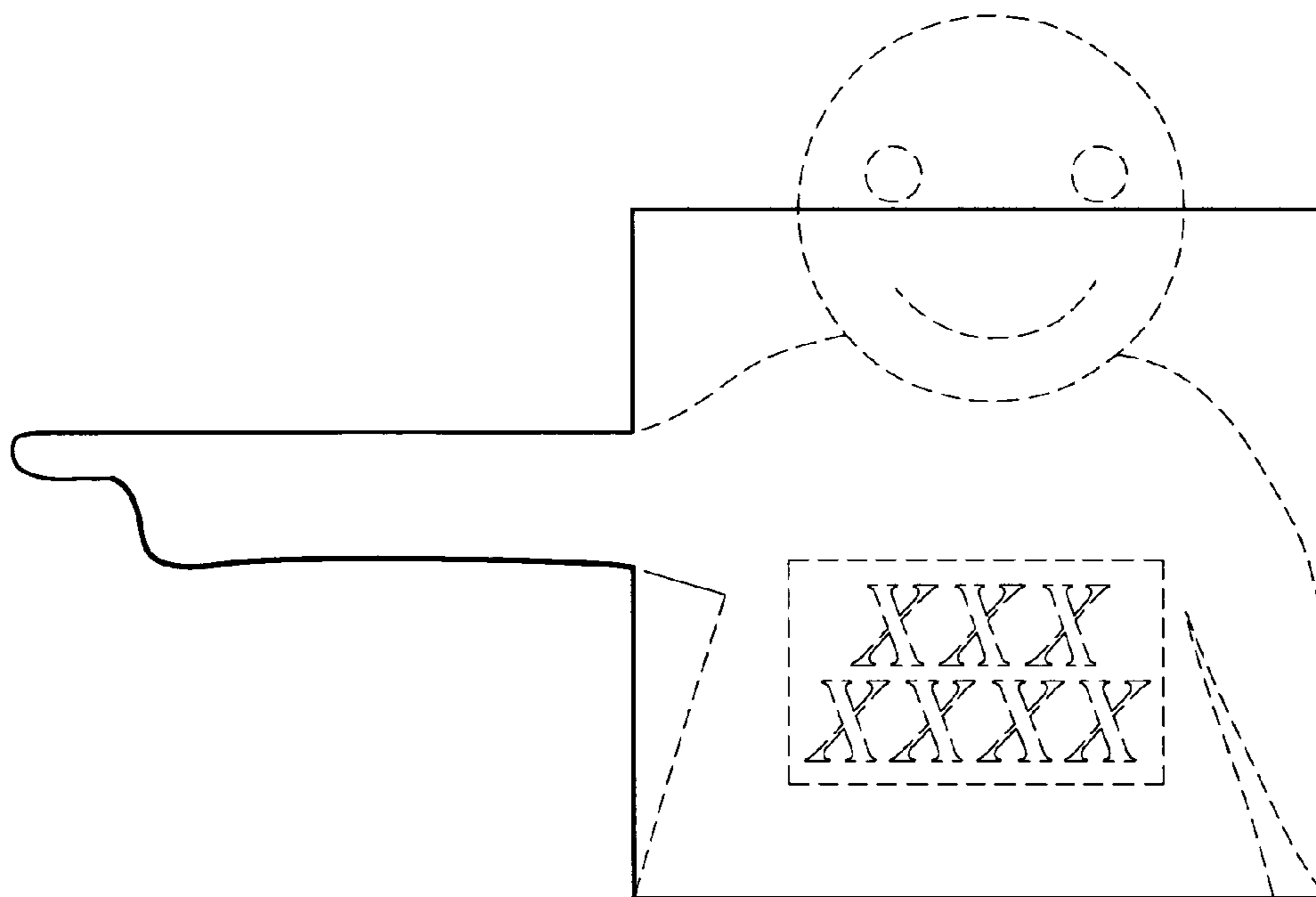
(57) **CLAIM**

The ornamental design for a display sign, as shown and described.

DESCRIPTION

FIG. 1 is a front view of a display sign of the present design; FIG. 2 is a side (edge) view of the display sign of FIG. 1; and, FIG. 3 is a back view of the display sign of FIG. 1. The broken lines in the drawings represent environmental structure only and form no part of the claimed design.

1 Claim, 1 Drawing Sheet



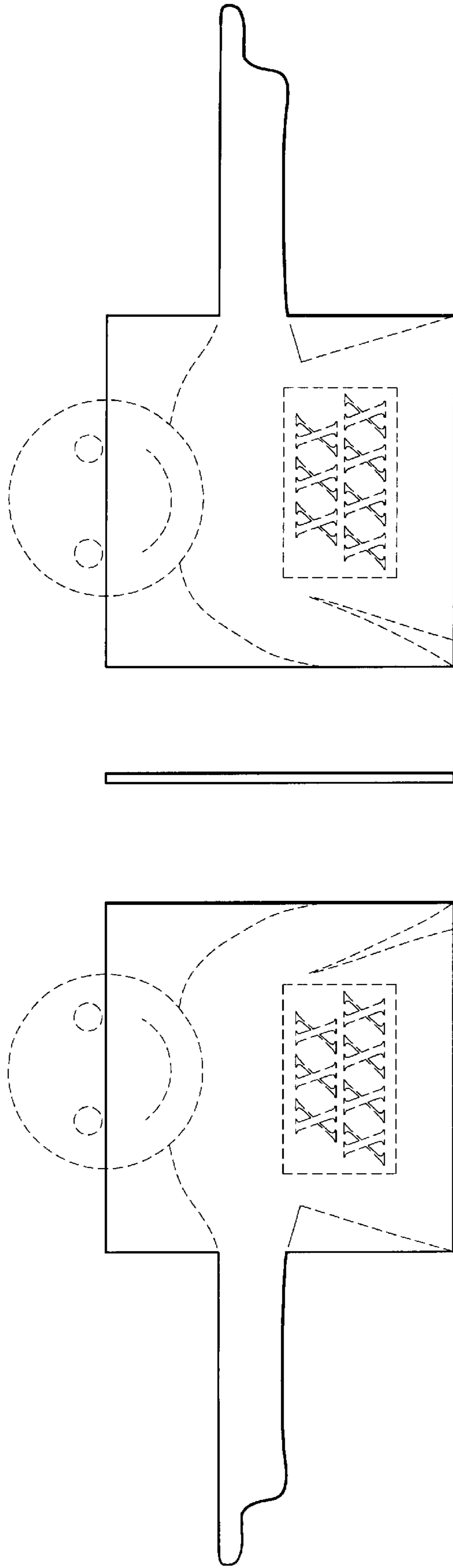


Fig. 1.

Fig. 2.

Fig. 3.