

US00D504469S

(12) **United States Design Patent**
Chen et al.

(10) **Patent No.:** **US D504,469 S**
(45) **Date of Patent:** **** Apr. 26, 2005**

(54) **WALL FILE**

(75) Inventors: **Peter Chen**, West Windsor, NJ (US);
Kevin Hui-Lien Lee, East Brunswick,
NJ (US); **Jungkun Lee**, Edison, NJ
(US)

(73) Assignee: **Officemate International Corp.**,
Edison, NJ (US)

(**) Term: **14 Years**

(21) Appl. No.: **29/212,370**

(22) Filed: **Aug. 30, 2004**

(51) **LOC (7) Cl.** **19-02**

(52) **U.S. Cl.** **D19/90; D19/91**

(58) **Field of Search** D6/553, 567, 571,
D6/476, 573; D19/65, 75, 77, 78, 86, 90,
91, 99, 100; 211/10, 11, 13.1, 119.005,
42.1, 42.12, 45, 50, 55, 87.01, 88.01, 126.1,
126.13; 312/183, 184, 290

(56) **References Cited**

U.S. PATENT DOCUMENTS

2,807,371 A * 9/1957 Johnson 211/119.005
D286,600 S * 11/1986 Meyer et al. D6/573

D295,638 S * 5/1988 Evenson D19/90
D310,925 S * 10/1990 Mervar et al. D19/75
D314,488 S * 2/1991 Aaldenberg et al. D6/567
5,344,030 A * 9/1994 Evenson 211/55
D391,990 S * 3/1998 Wolff D19/78
D413,749 S * 9/1999 Stravitz D6/567
D486,185 S * 2/2004 Sheldon et al. D19/90
D495,007 S * 8/2004 Stravitz D19/90

* cited by examiner

Primary Examiner—Martie K. Holtje

(74) *Attorney, Agent, or Firm*—Daniel Kirshner, Esq.

(57) **CLAIM**

The ornamental design for a wall file, as shown.

DESCRIPTION

FIG. 1 is a front perspective view of a wall file showing our new design;

FIG. 2 is a front view thereof;

FIG. 3 is a rear view thereof;

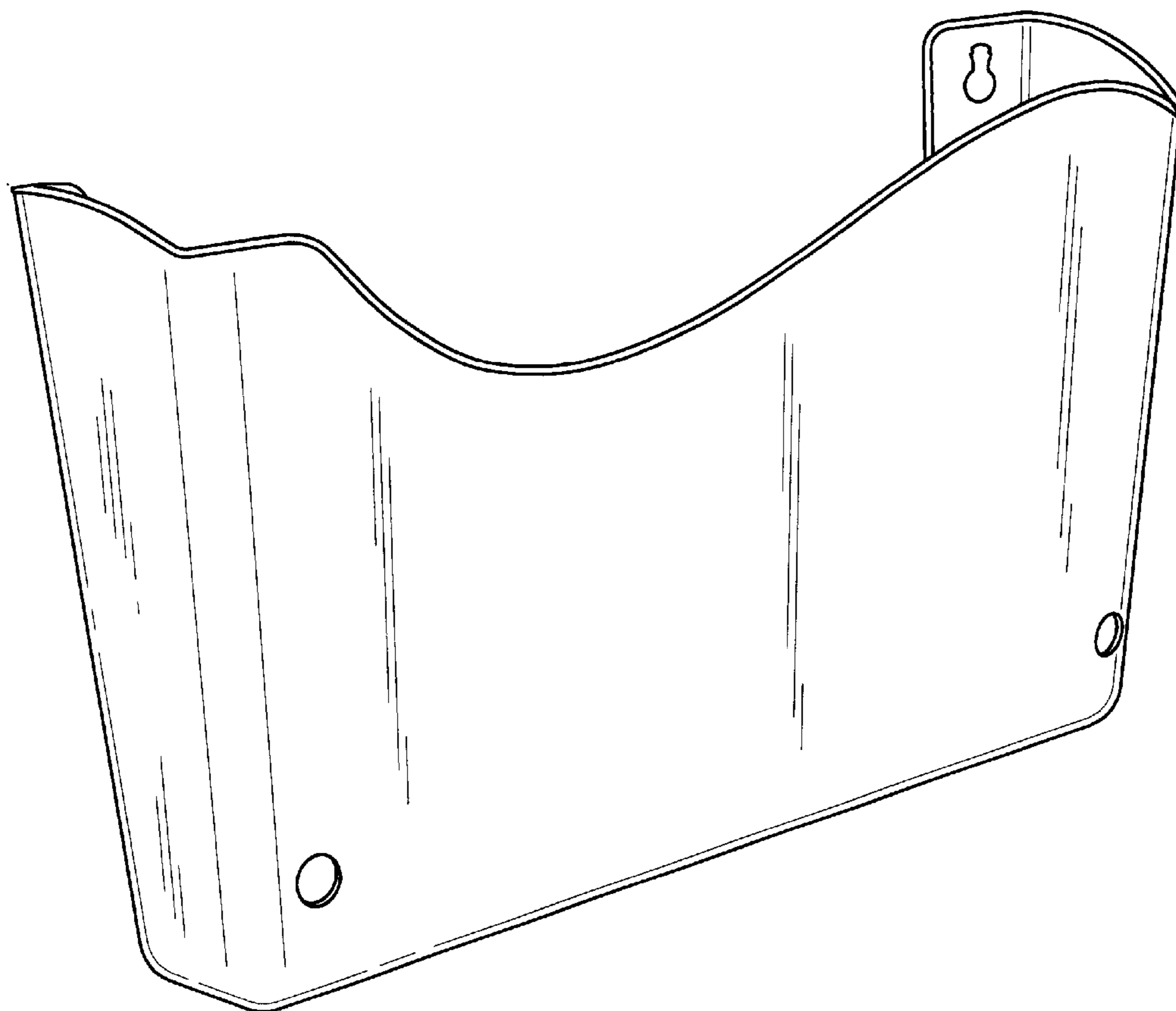
FIG. 4 is left side view thereof;

FIG. 5 is a right side view thereof;

FIG. 6 is a top view thereof; and,

FIG. 7 is a bottom view thereof.

1 Claim, 5 Drawing Sheets



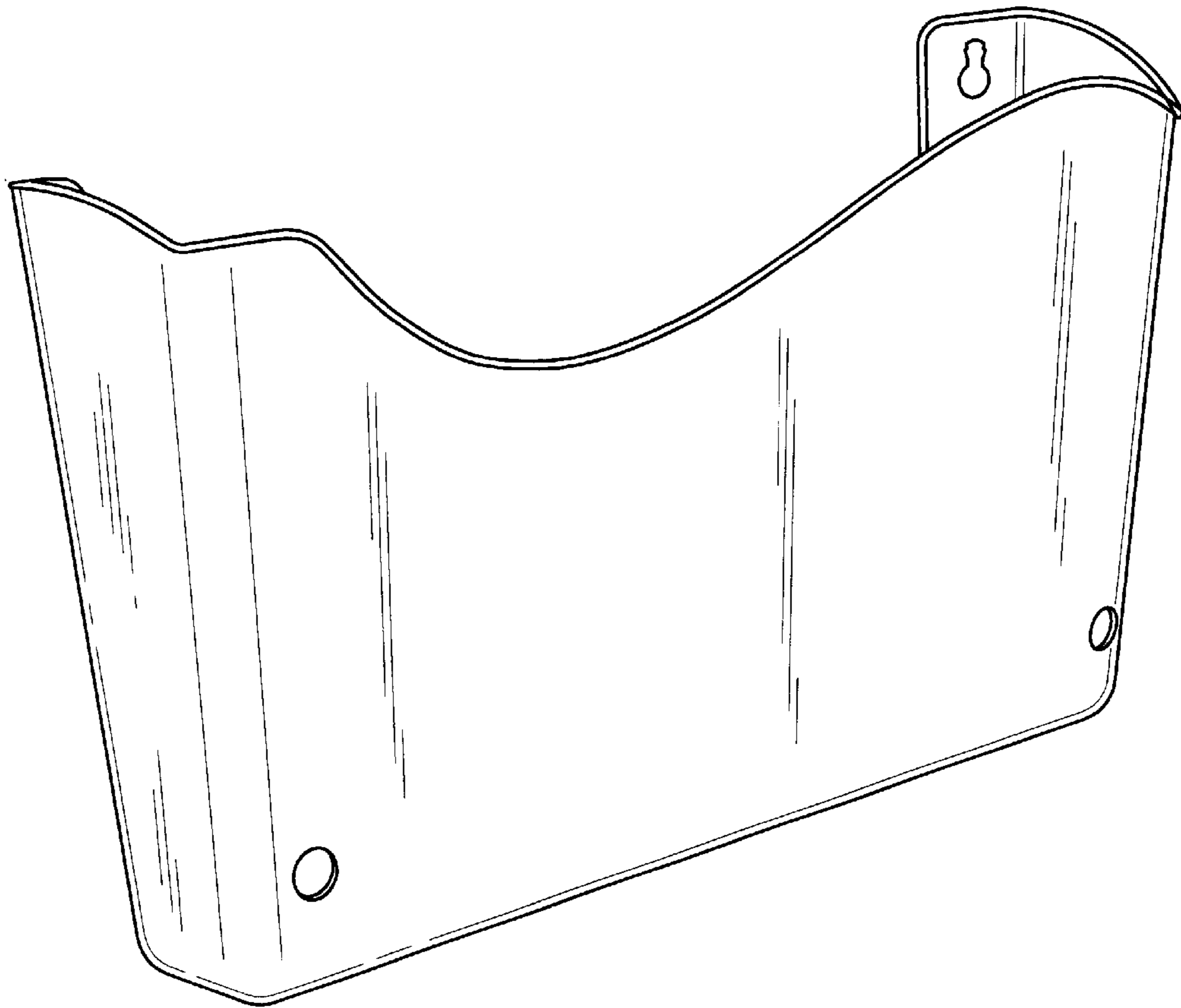


FIG. 1

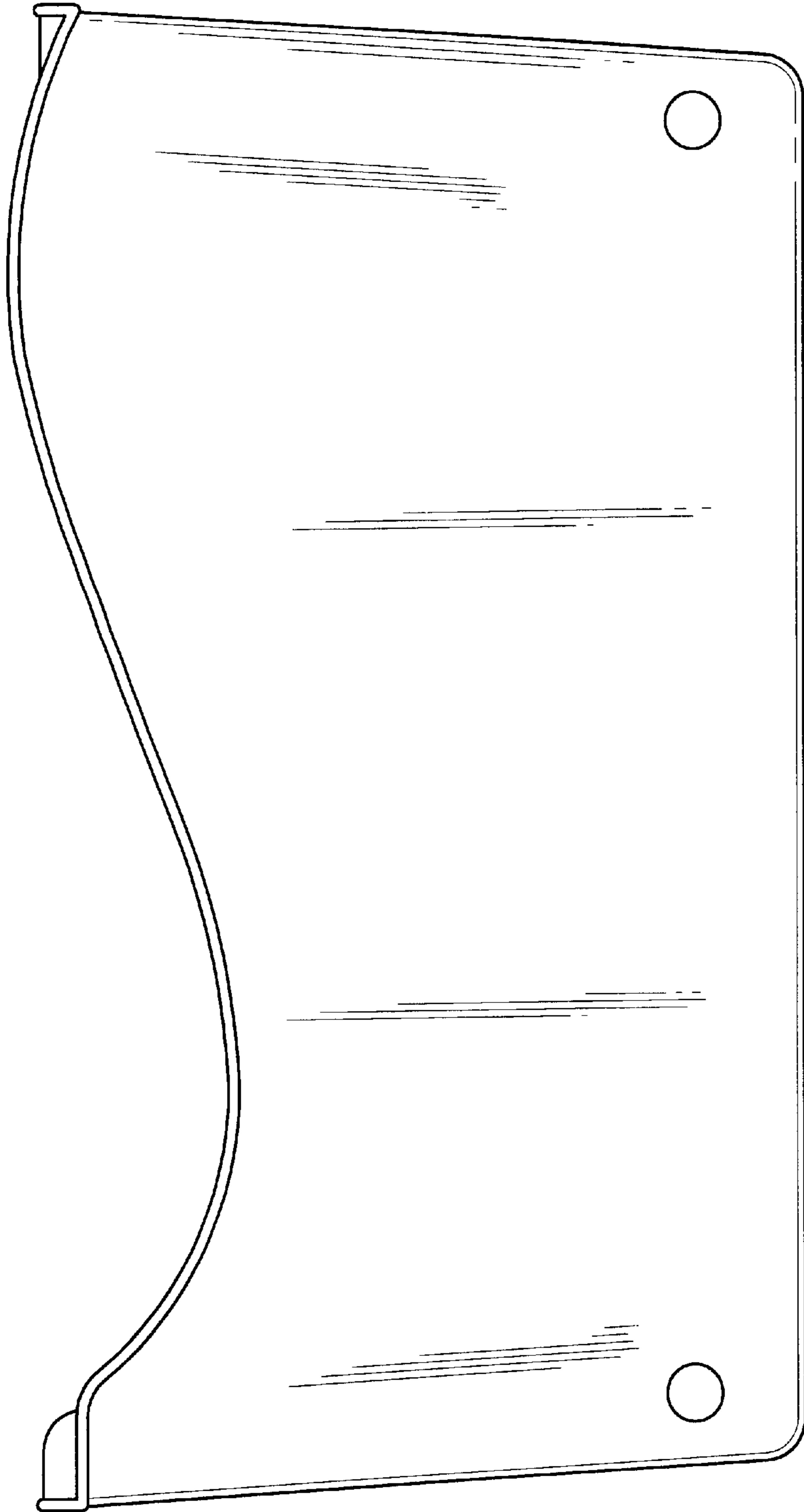


FIG. 2

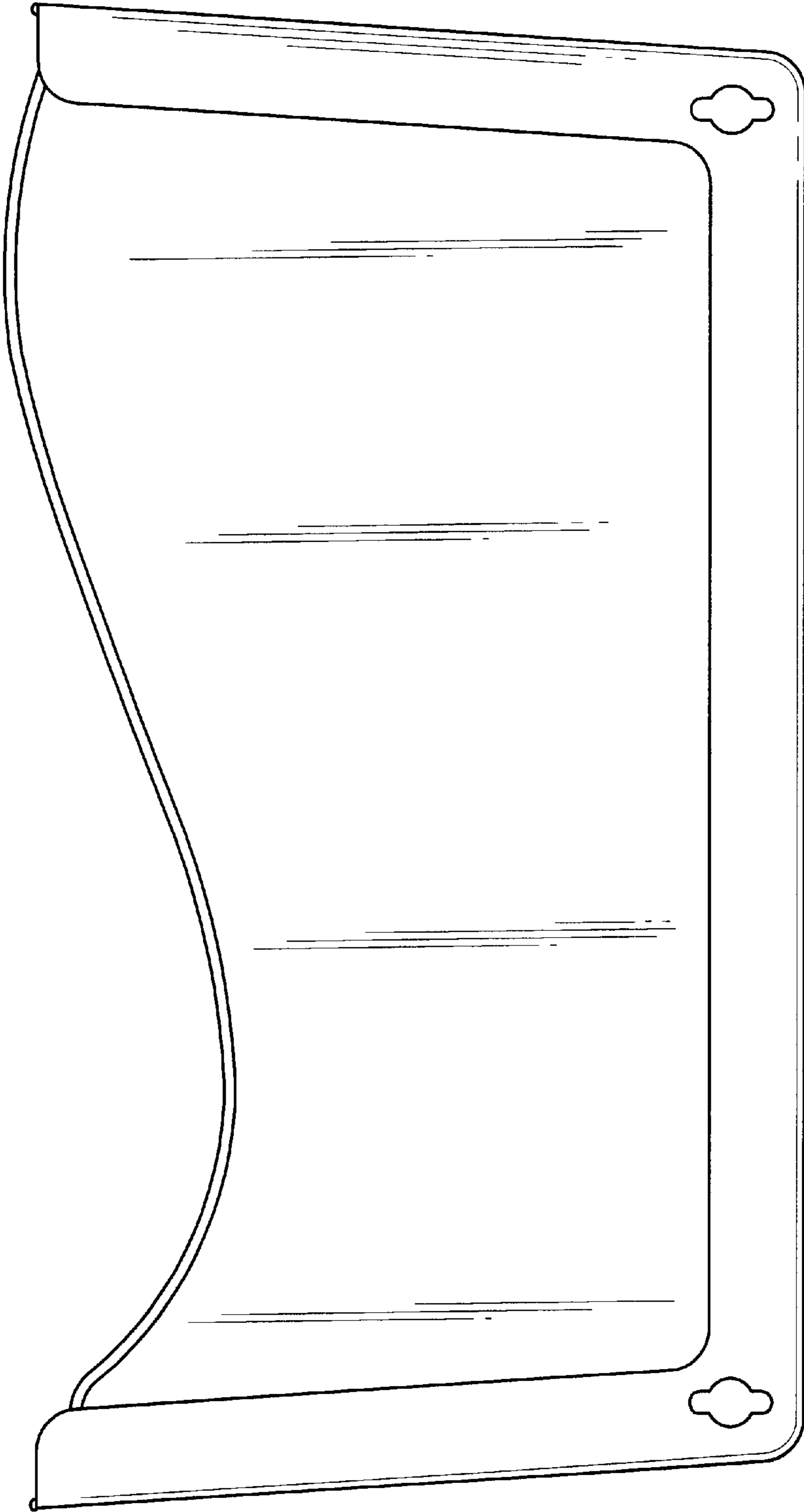


FIG. 3

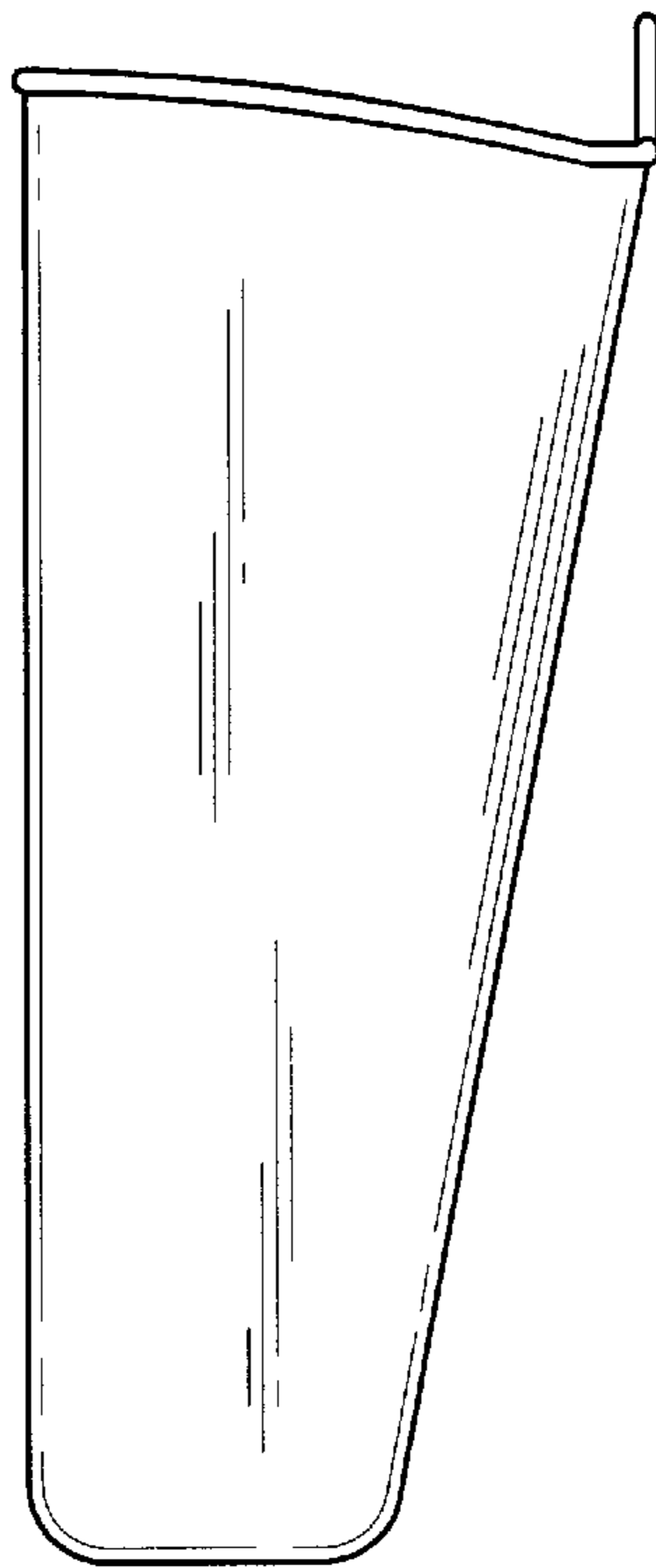


FIG. 4

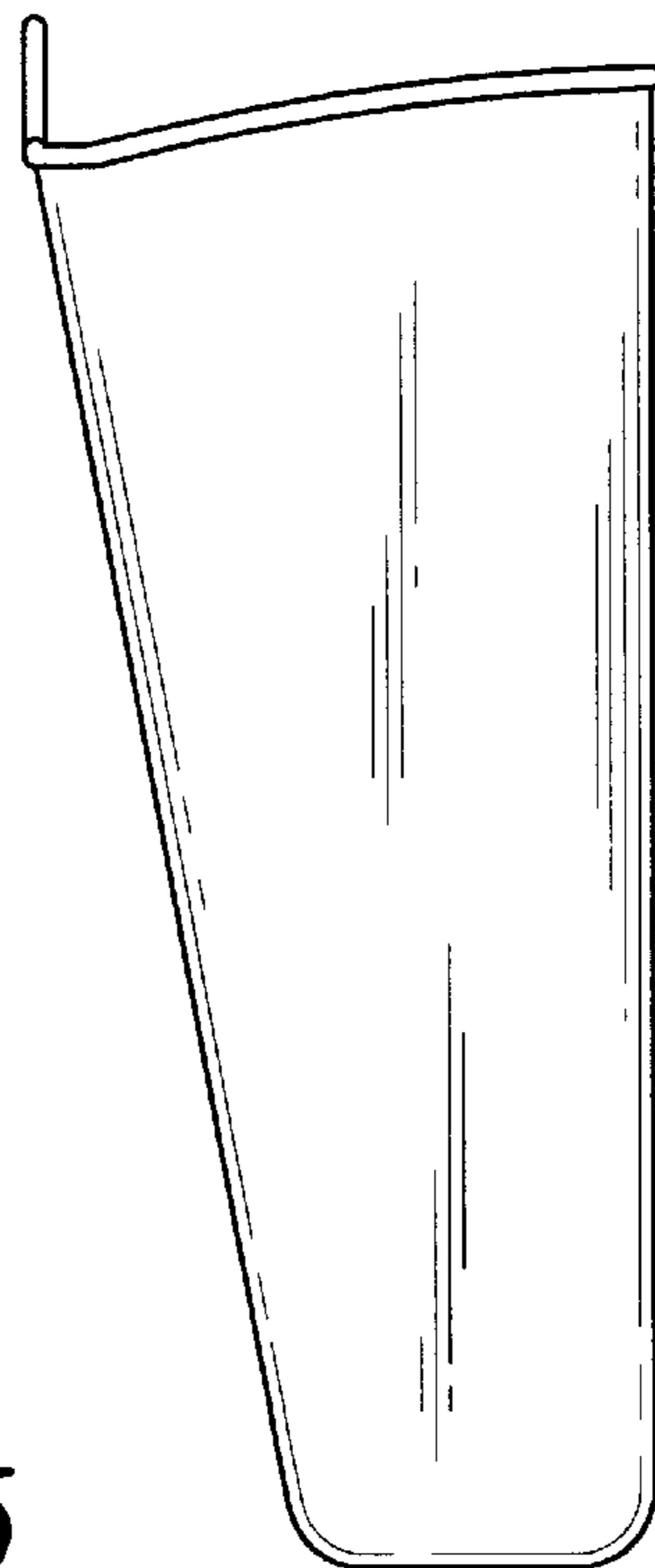


FIG. 5

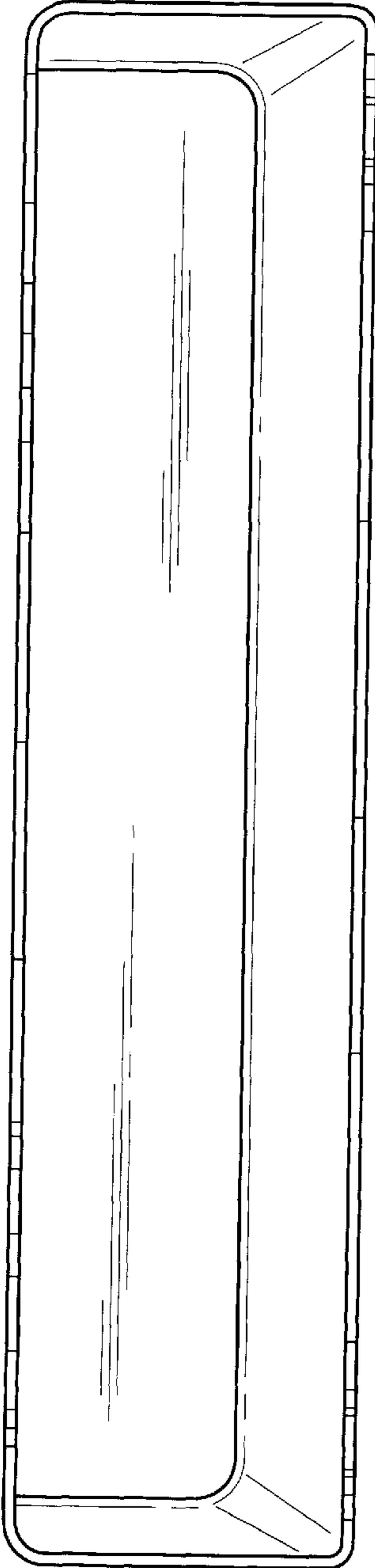


FIG. 6

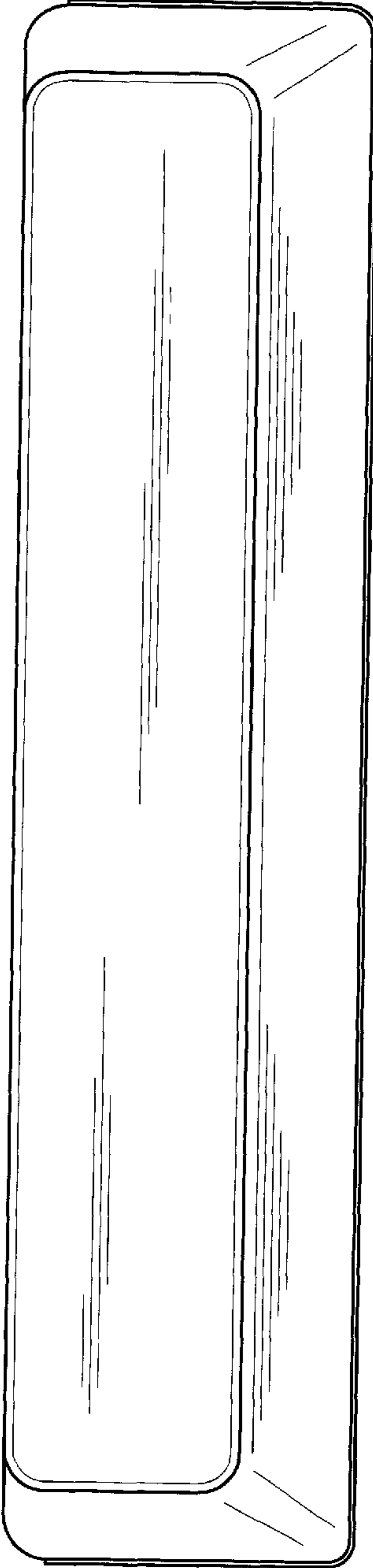


FIG. 7