

US00D504468S

(12) **United States Design Patent**
Chen et al.

(10) **Patent No.:** **US D504,468 S**
(45) **Date of Patent:** **** Apr. 26, 2005**

(54) **WALL FILE**

(75) Inventors: **Peter Chen**, West Windsor, NJ (US);
Kevin Hui-Lien Lee, East Brunswick,
NJ (US); **Jungkun Lee**, Edison, NJ
(US)

(73) Assignee: **Officemate International Corp.**,
Edison, NJ (US)

(**) Term: **14 Years**

(21) Appl. No.: **29/212,369**

(22) Filed: **Aug. 30, 2004**

(51) **LOC (7) Cl.** **19-02**

(52) **U.S. Cl.** **D19/90; D19/91**

(58) **Field of Search** D6/553, 567-571,
D6/476, 573; D19/65, 75, 77, 78, 86, 90,
91, 99, 100; 211/10, 11, 13.1, 42.1, 42.12,
45, 50, 55, 87.01, 88.01, 126.1, 126.13;
312/183, 184, 290

(56) **References Cited**

U.S. PATENT DOCUMENTS

D301,101 S * 5/1989 Meyer D6/567
D337,016 S * 7/1993 Fortescue D19/78

5,344,030 A * 9/1994 Evenson 211/55
D411,399 S * 6/1999 Stravitz D6/567
D413,749 S * 9/1999 Stravitz D6/567
D494,625 S * 8/2004 Stravitz D19/90
D497,391 S * 10/2004 Stravitz D19/90
D497,755 S * 11/2004 Wood et al. D6/553

* cited by examiner

Primary Examiner—Martie K. Holtje

(74) *Attorney, Agent, or Firm*—Daniel Kirshner, Esq

(57) **CLAIM**

The ornamental design for a wall file, as shown and described.

DESCRIPTION

FIG. 1 is a front perspective view of a wall file showing our new design;

FIG. 2 is a front view thereof;

FIG. 3 is a rear view thereof;

FIG. 4 is left side view thereof;

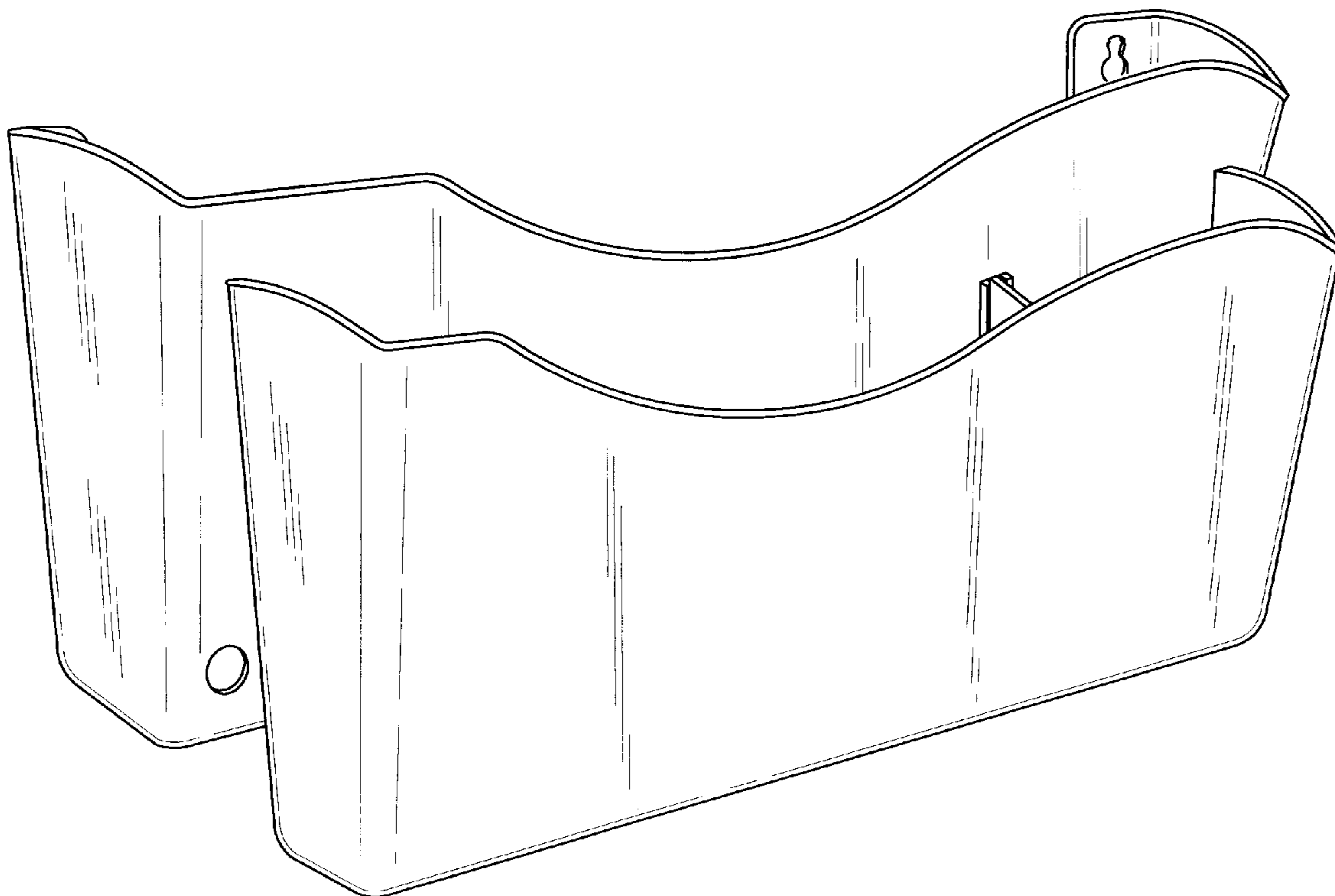
FIG. 5 is a right side view thereof;

FIG. 6 is a top view thereof;

FIG. 7 is a bottom view thereof; and,

FIG. 8 is a front perspective view thereof in an exploded condition.

1 Claim, 7 Drawing Sheets



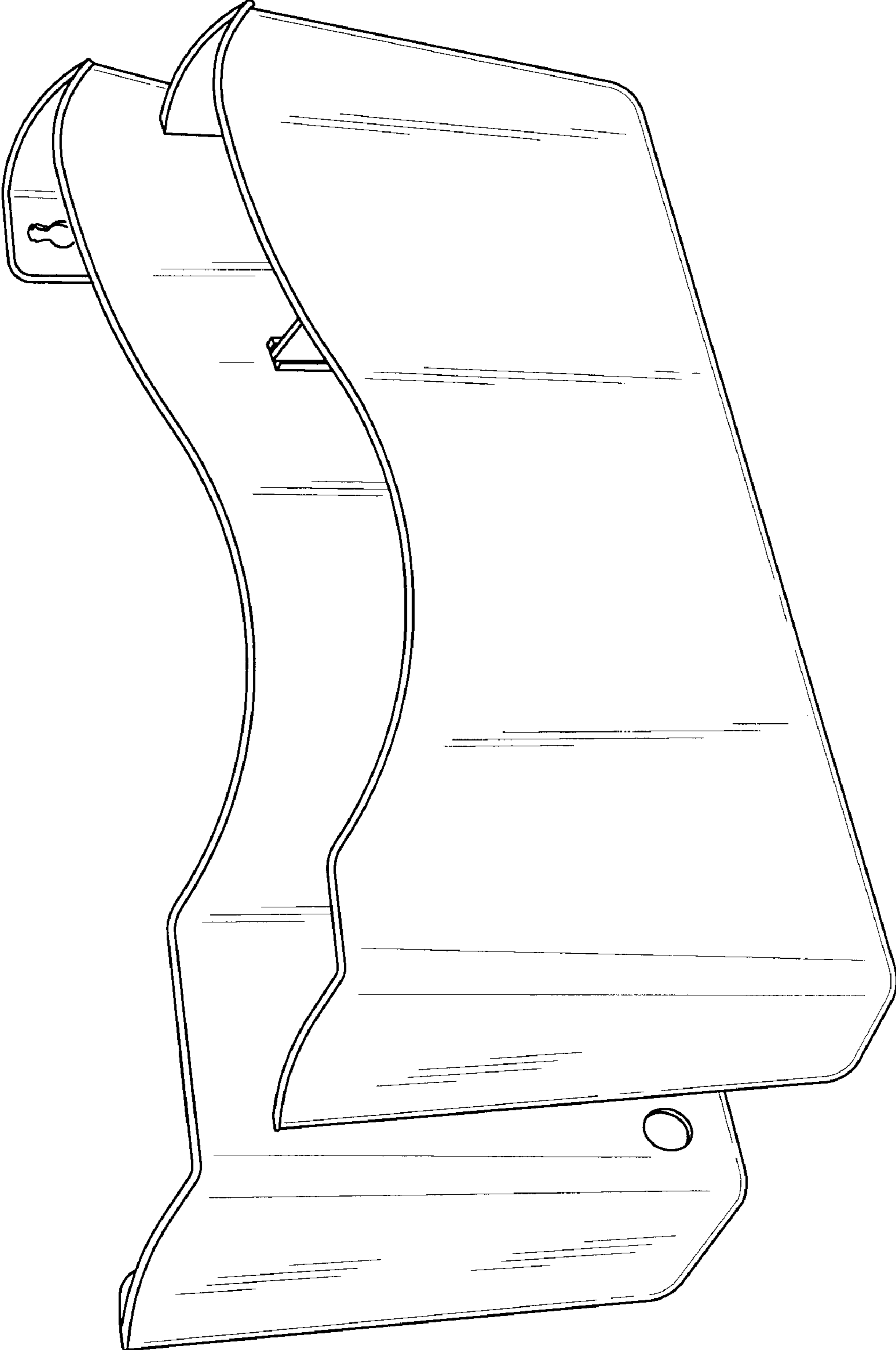


FIG. 1

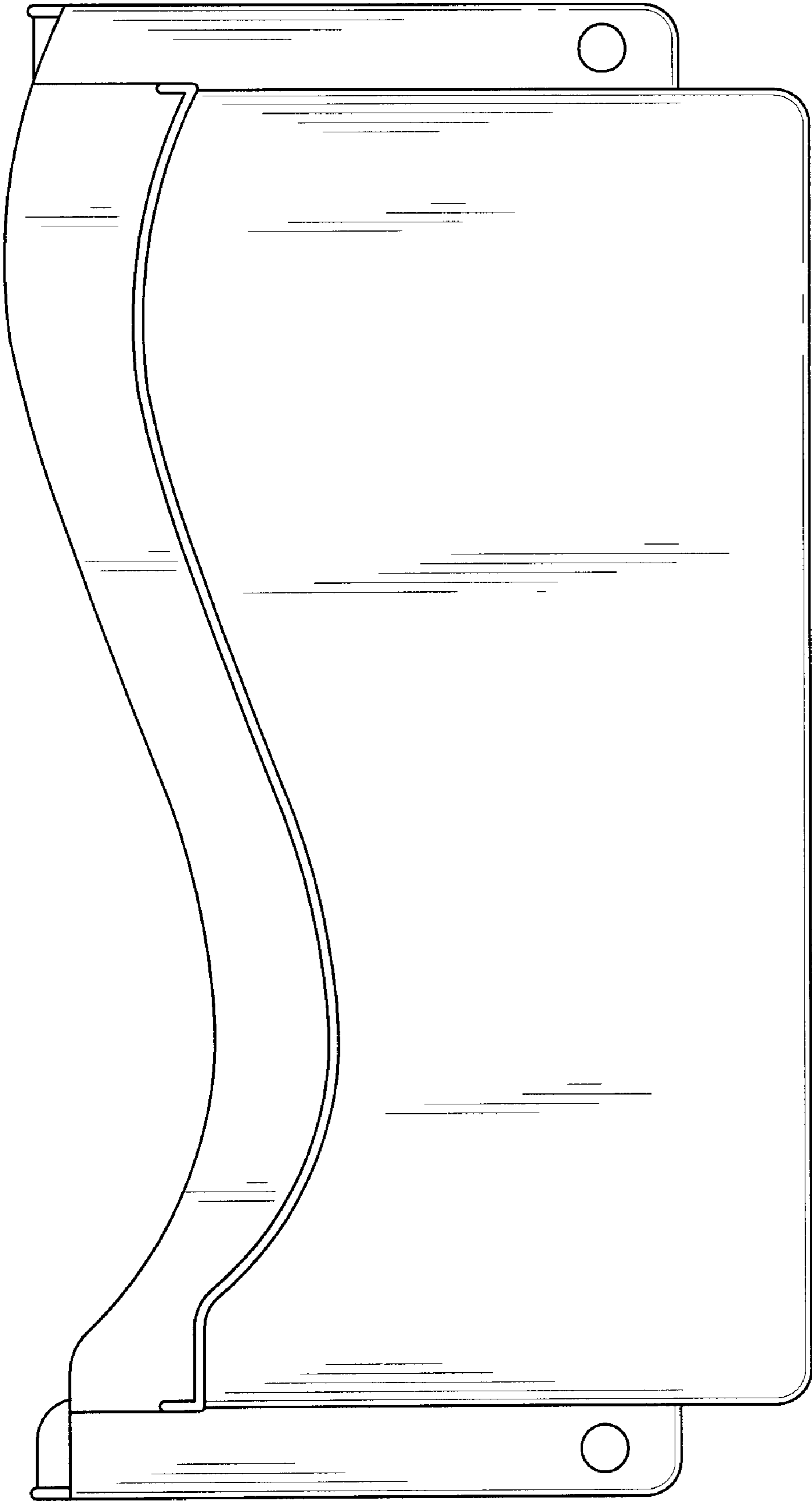


FIG. 2

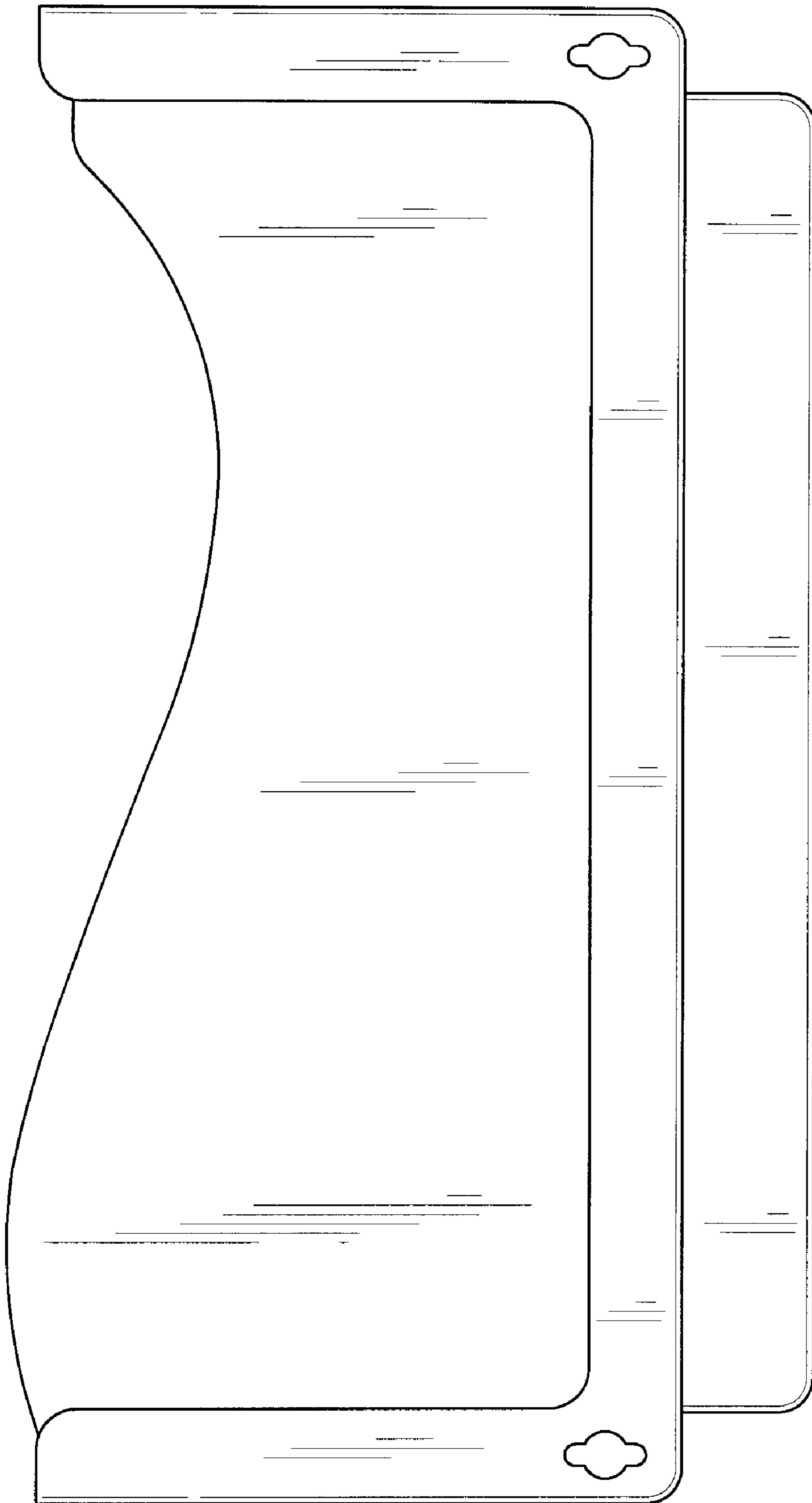


FIG. 3

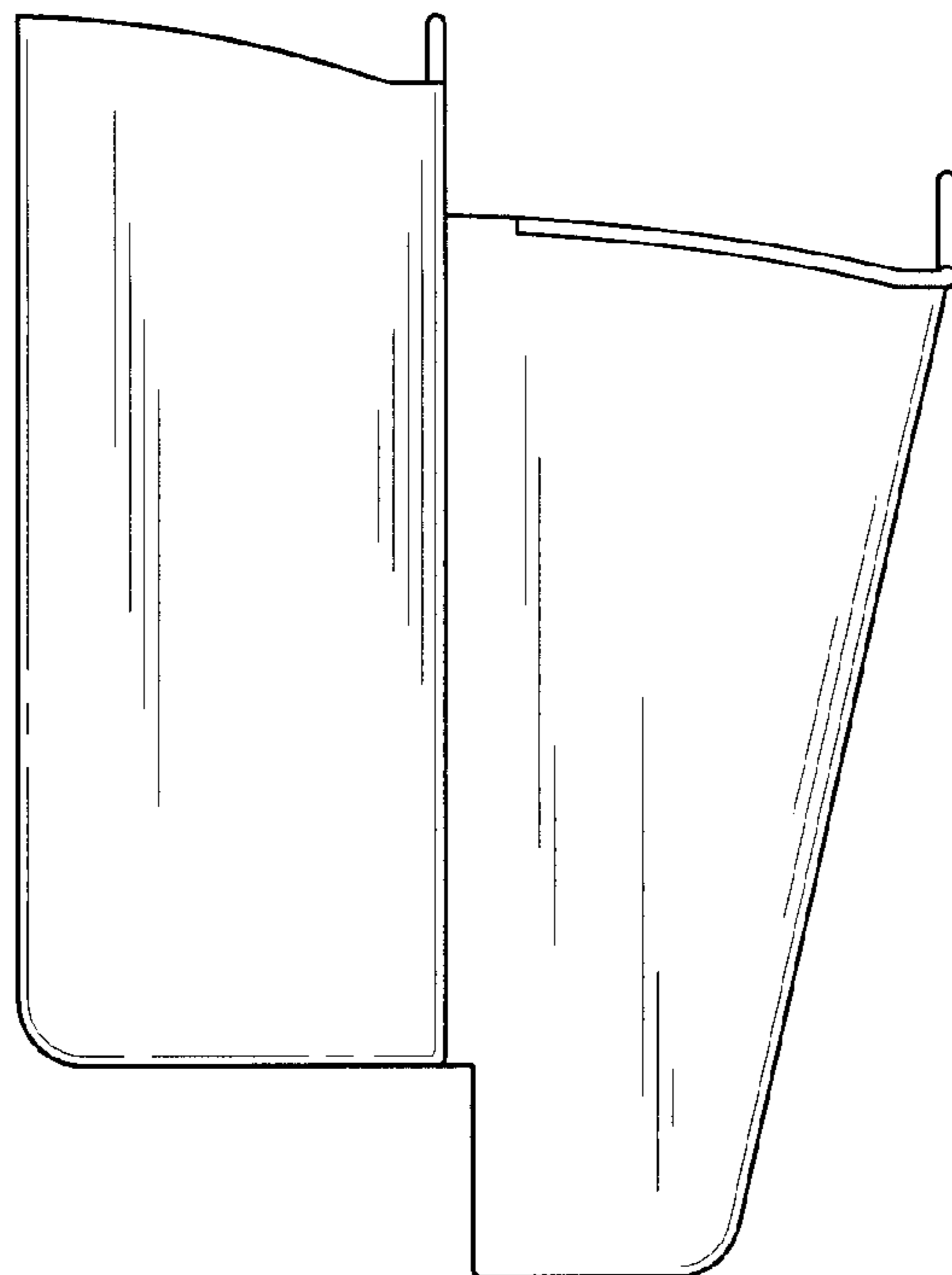


FIG. 4

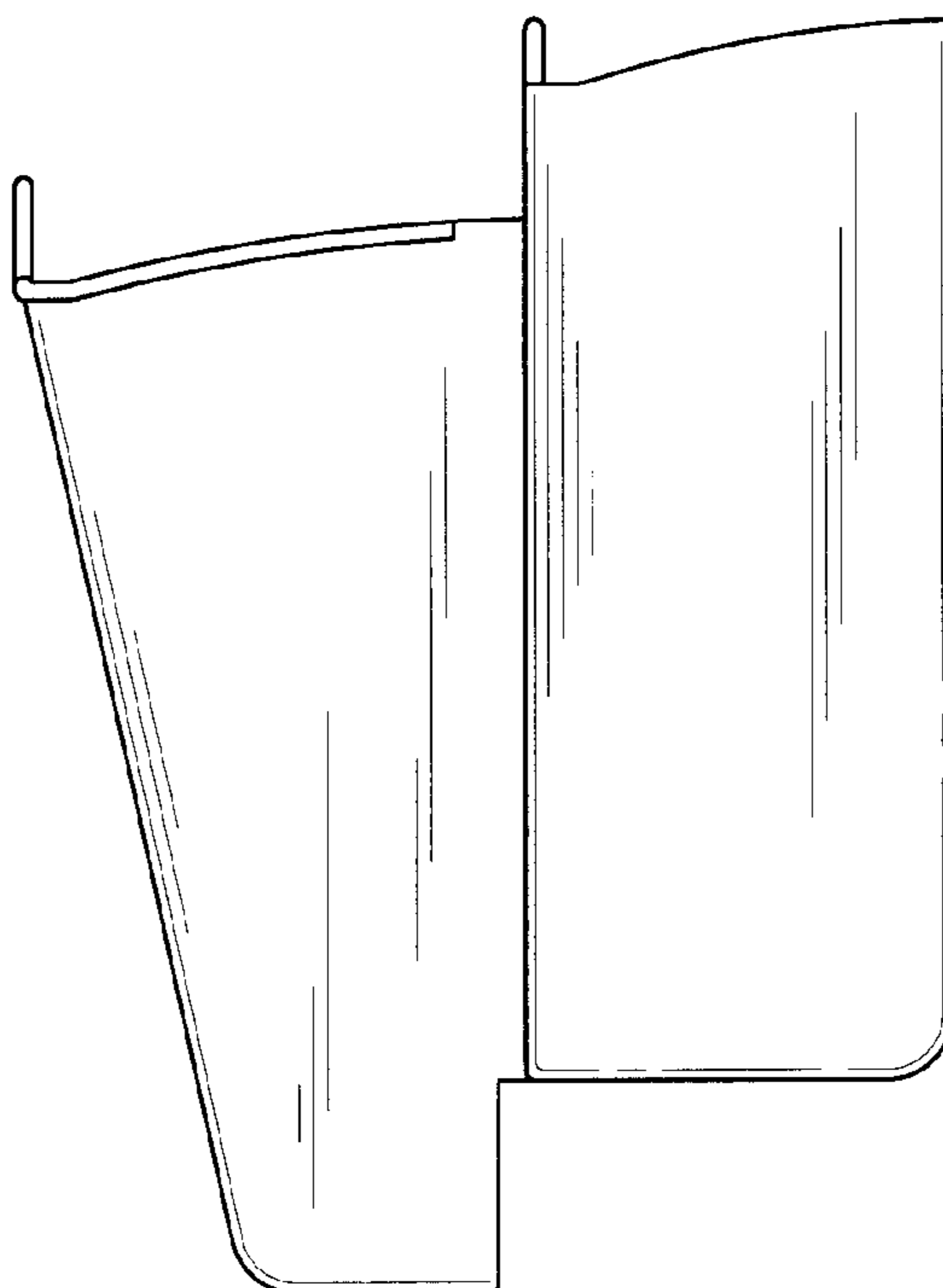


FIG. 5

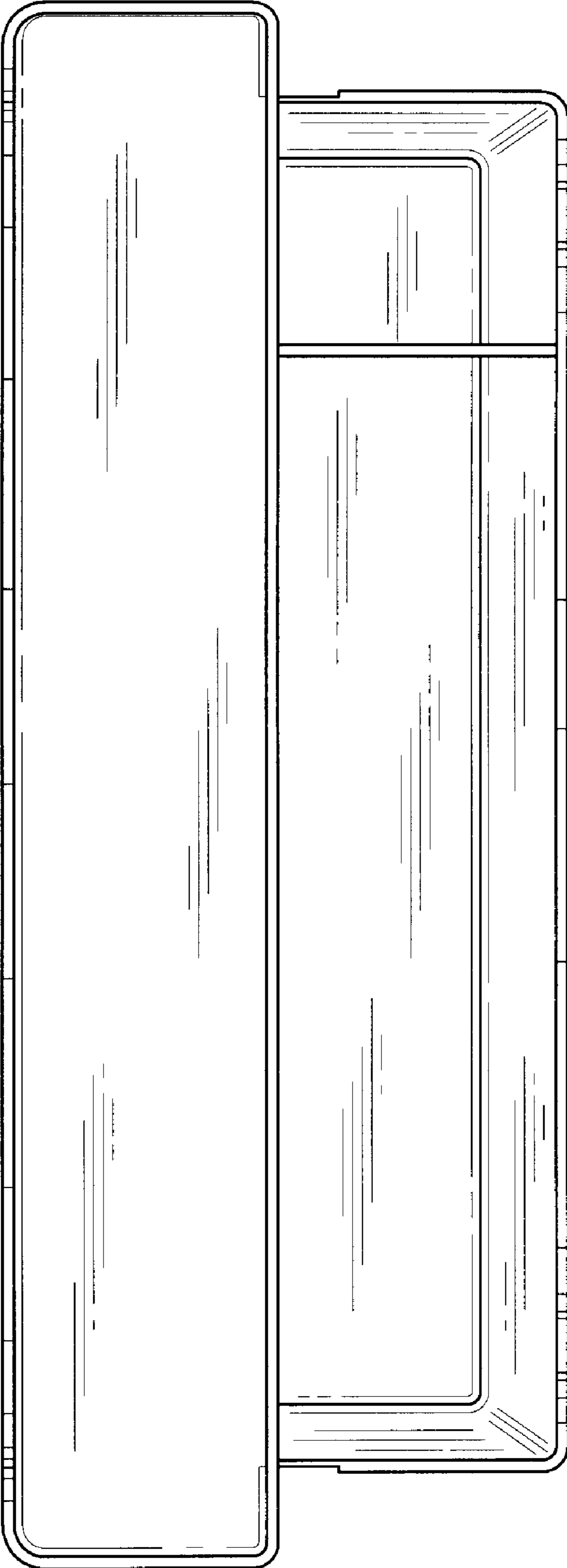


FIG. 6

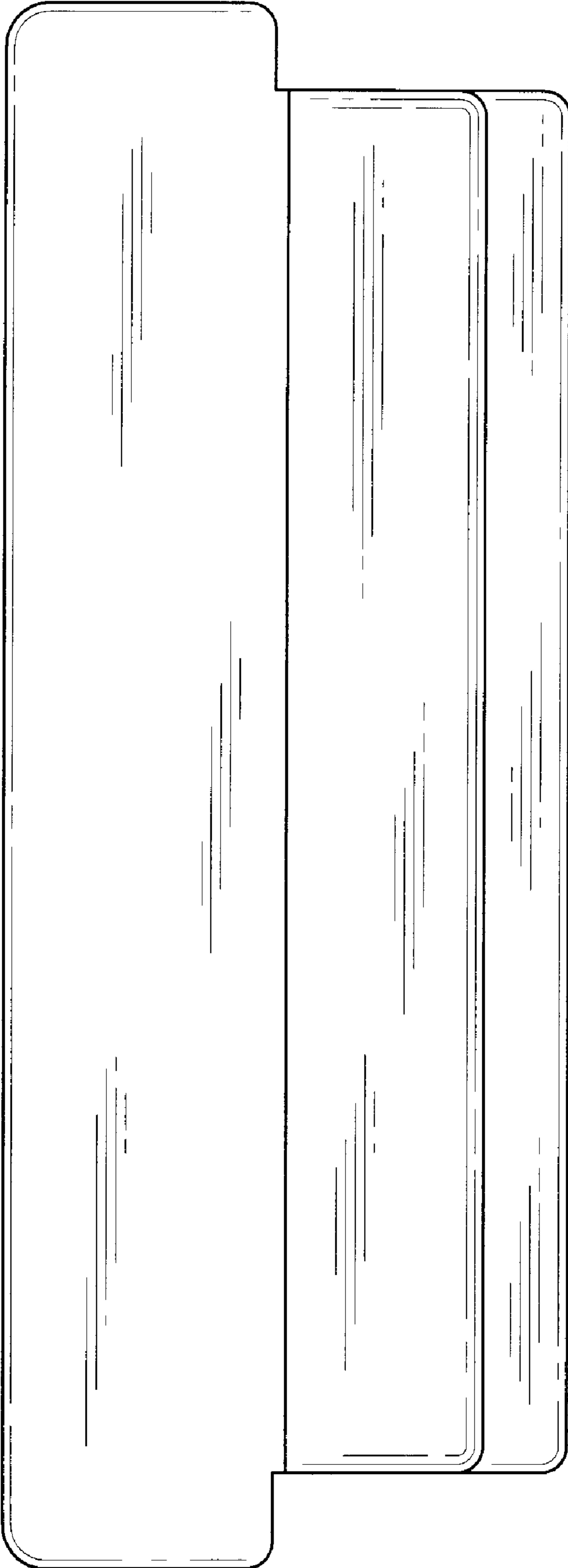


FIG. 7

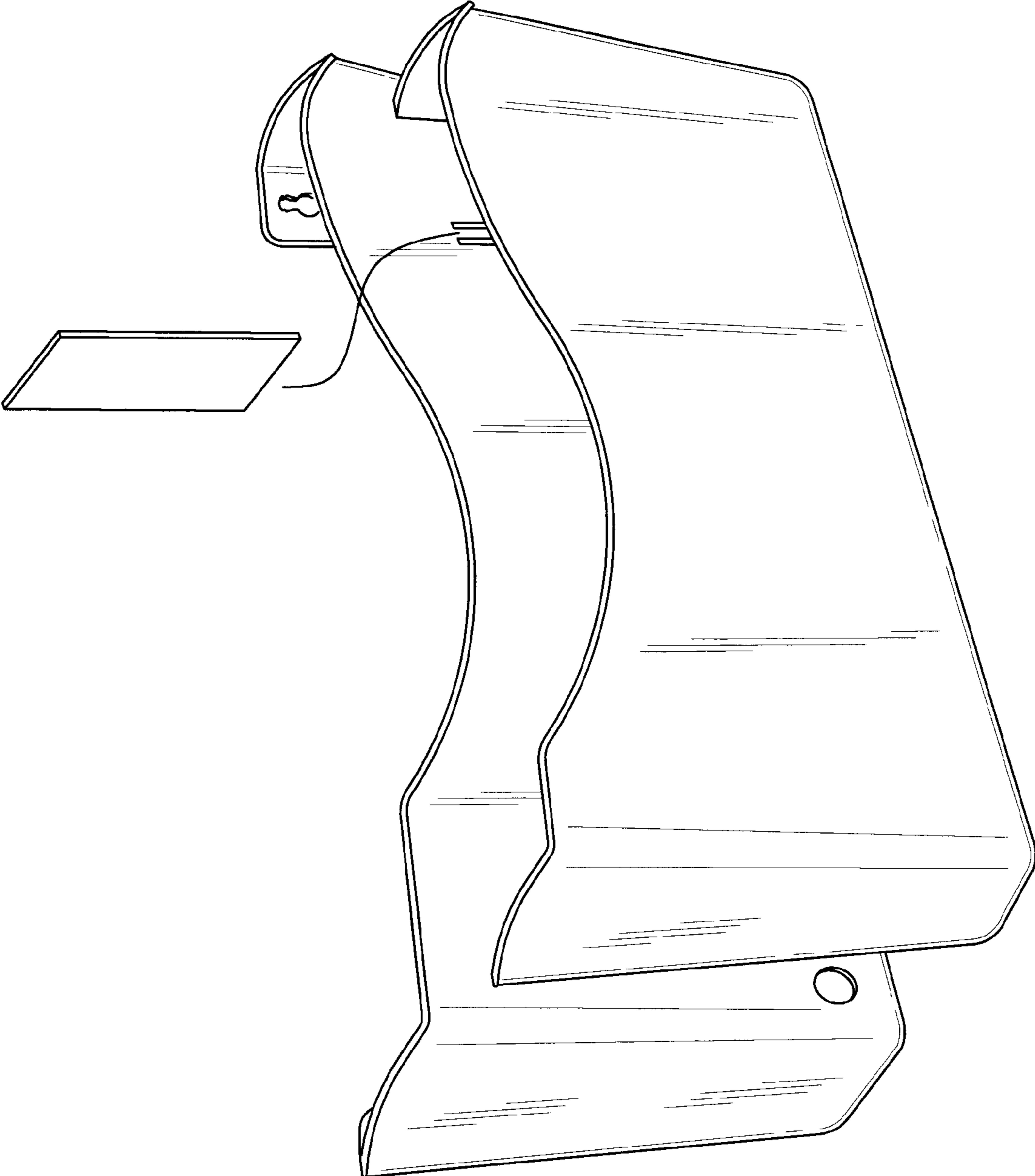


FIG. 8