

US00D504465S

(12) **United States Design Patent**
Shibata et al.

(10) **Patent No.: US D504,465 S**

(45) **Date of Patent: ** Apr. 26, 2005**

(54) **CAP FOR A WRITING INSTRUMENT**

(75) Inventors: **Tomoaki Shibata**, Tokyo (JP); **Keitaro Tsuboki**, Tokyo (JP)

(73) Assignee: **Pentel Kabushiki Kaisha**, Tokyo (JP)

(**) Term: **14 Years**

(21) Appl. No.: **29/195,401**

(22) Filed: **Dec. 11, 2003**

(30) **Foreign Application Priority Data**

Jun. 2, 2003 (JP) 2003-017564

(51) **LOC (7) Cl.** **19-06**

(52) **U.S. Cl.** **D19/57; D19/56**

(58) **Field of Search** D19/35, 36, 41-51,
D19/53-58, 81-85; 401/98, 102, 202, 213,
243, 244, 245, 246, 247, 262

(56) **References Cited**

U.S. PATENT DOCUMENTS

3,424,539 A * 1/1969 Jenkins 401/292
D270,843 S * 10/1983 Itoh D19/51
D317,324 S * 6/1991 Chuang D19/57
5,897,266 A * 4/1999 Robert 401/202

D414,202 S * 9/1999 Pellissa Beneyto D19/47
D445,130 S * 7/2001 Ginelli D19/36
D446,245 S * 8/2001 Chuang D19/57
D460,110 S * 7/2002 Kobayashi D19/43
D462,718 S * 9/2002 Kobayashi D19/57
D494,218 S * 8/2004 Anand D19/51

* cited by examiner

Primary Examiner—Martie K. Holtje

(74) *Attorney, Agent, or Firm*—Adams & Wilks

(57) **CLAIM**

The ornamental design for a cap for a writing instrument, as shown and described.

DESCRIPTION

FIG. 1 is a perspective view of a cap for a writing instrument showing my new design;
FIG. 2 is a front elevational view thereof;
FIG. 3 is a right side elevational view thereof, the left side view being a mirror image thereof;
FIG. 4 is a rear elevational view thereof;
FIG. 5 is a bottom plan view thereof;
FIG. 6 is a top plan view thereof; and,
FIG. 7 is a cross-sectional view thereof taken in the direction of Arrows 7—7 in FIG. 2.

1 Claim, 1 Drawing Sheet

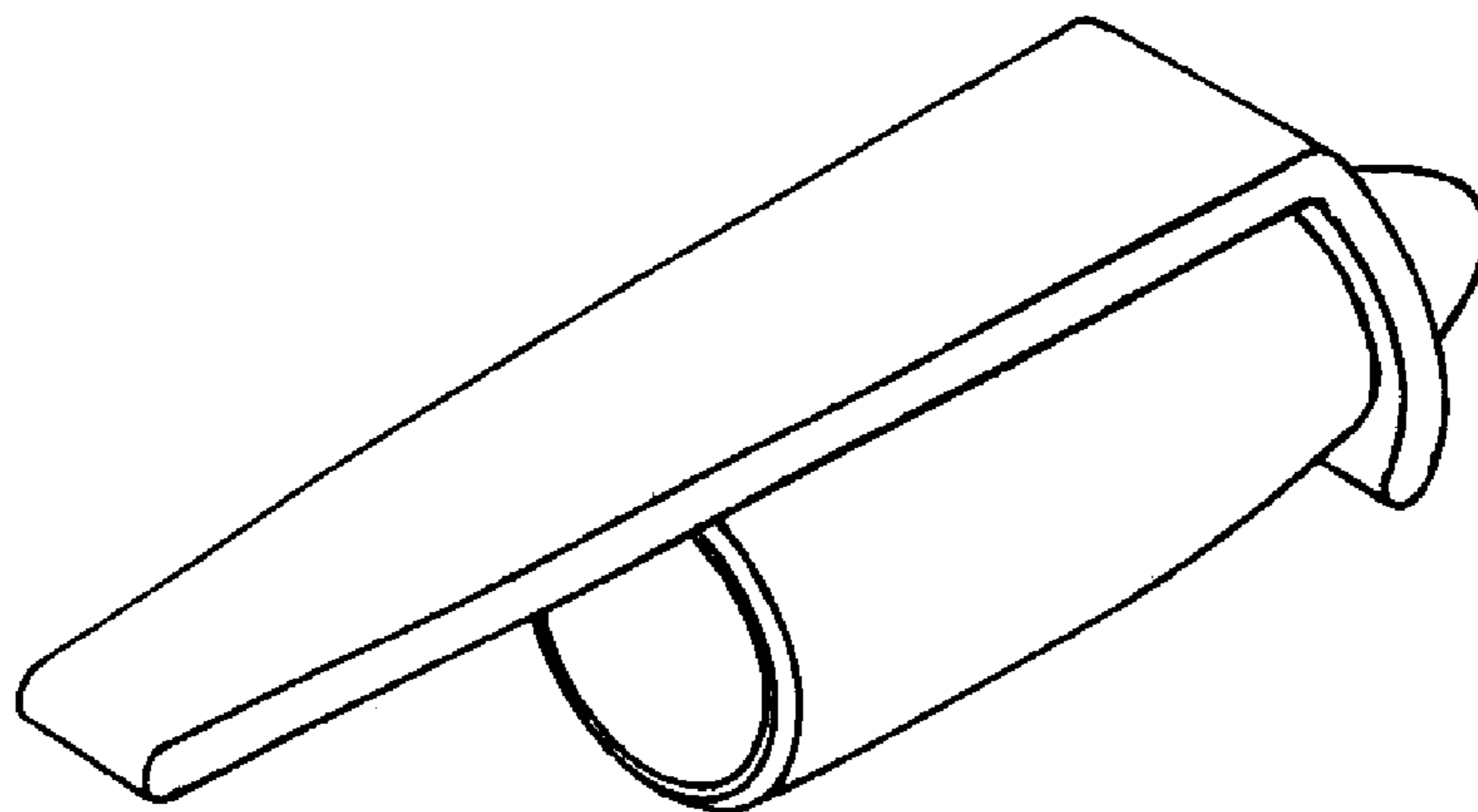


FIG.1

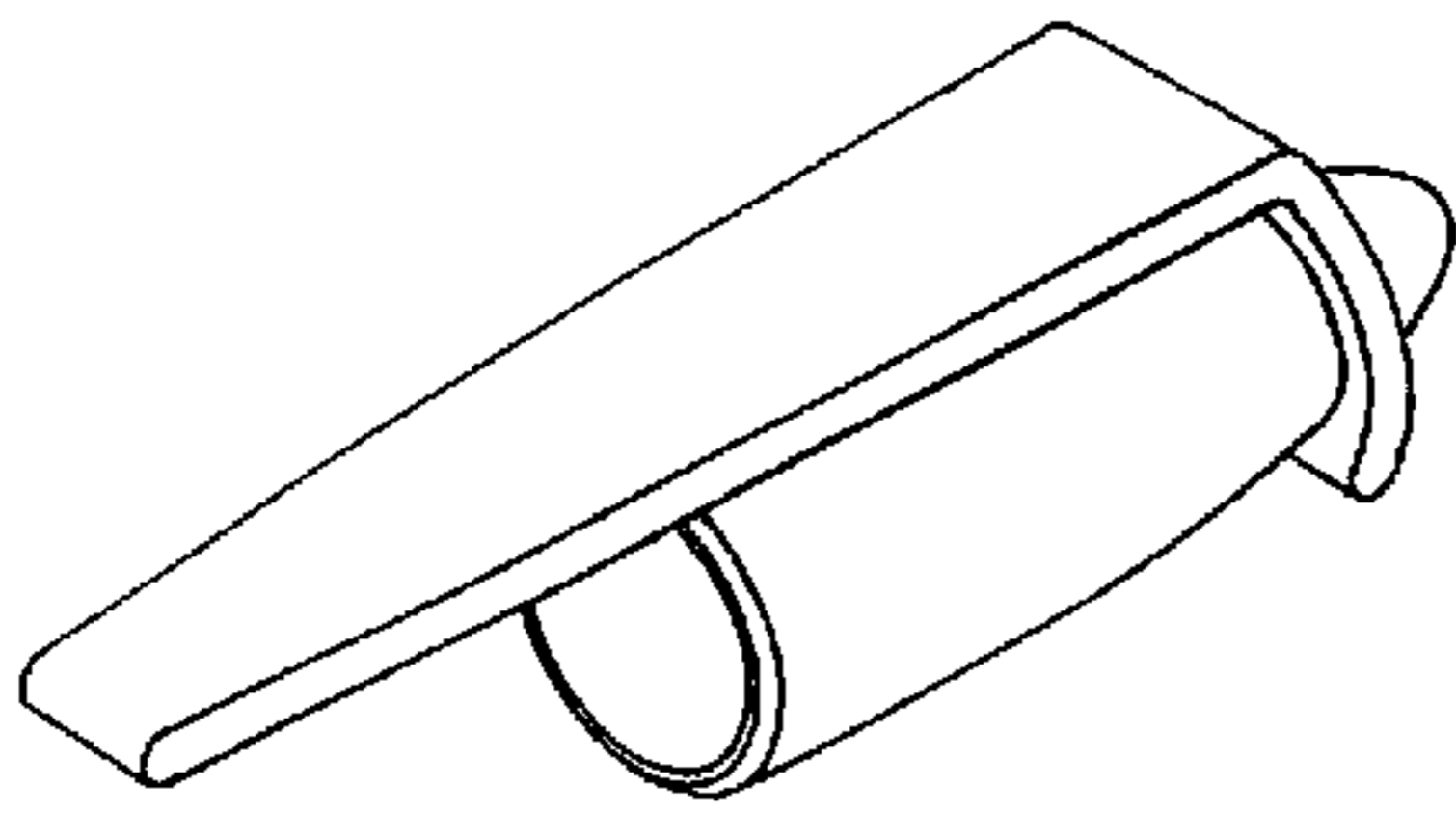


FIG.4

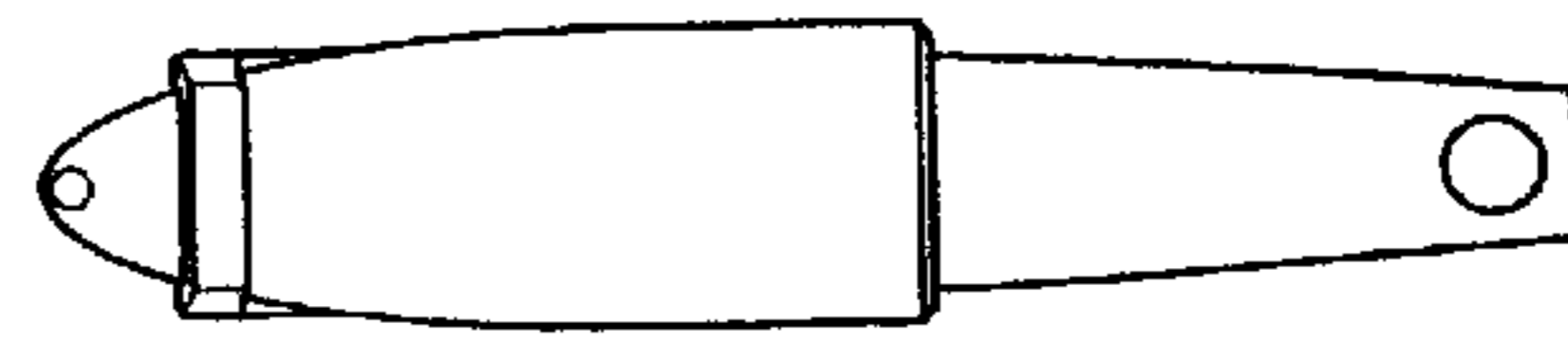


FIG.5

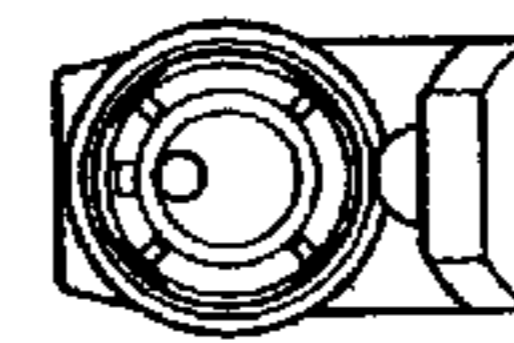


FIG.2



FIG.6

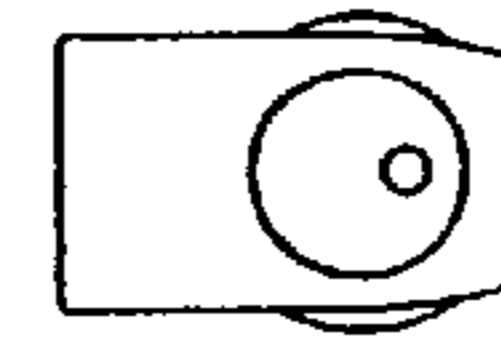


FIG.3

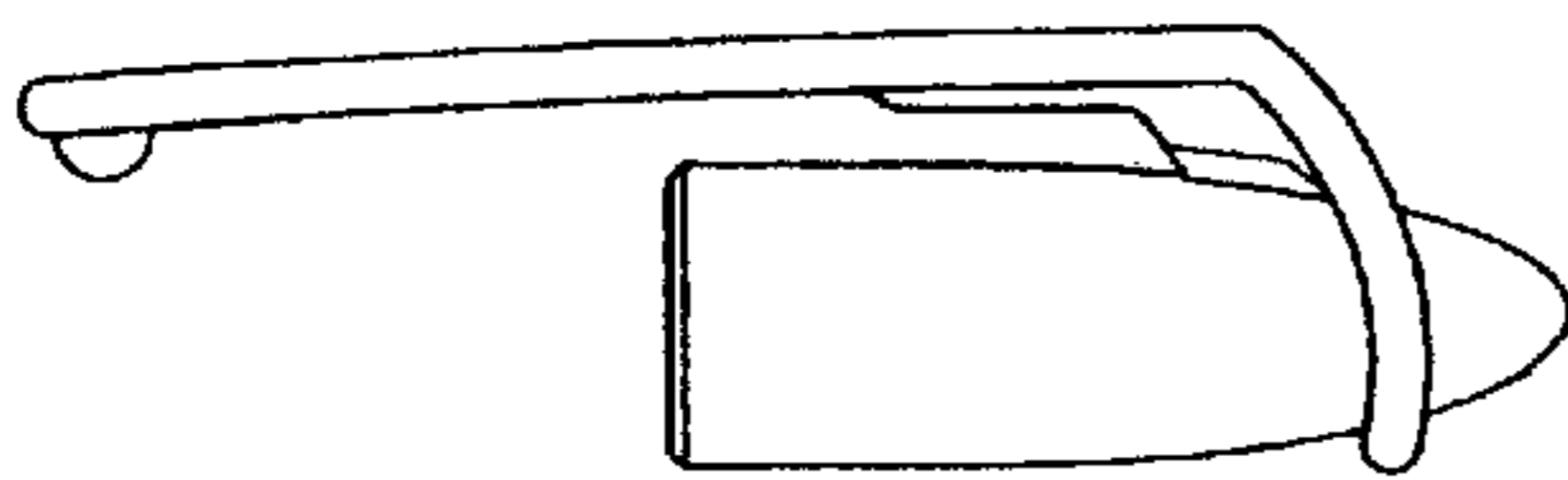


FIG.7

