

US00D504463S

(12) **United States Design Patent**
Wehmeyer

(10) **Patent No.:** **US D504,463 S**
(45) **Date of Patent:** **** Apr. 26, 2005**

(54) **COVER STRUCTURE FOR A BINDER OR THE LIKE**

(75) **Inventor:** **Stephen D. Wehmeyer**, Cincinnati, OH (US)

(73) **Assignee:** **MeadWestvaco Corporation**, Stamford, CT (US)

(**) **Term:** **14 Years**

(21) **Appl. No.:** **29/194,113**

(22) **Filed:** **Nov. 19, 2003**

(51) **LOC (7) Cl.** **19-04**

(52) **U.S. Cl.** **D19/26**

(58) **Field of Search** D3/303; D19/26, D19/27, 28, 29, 30, 31, 32, 33; 40/530, 536, 537, 726; 206/472; 281/15.1, 19.1, 21.1, 22, 29, 38, 40; 283/63.1, 64

(56) **References Cited**

U.S. PATENT DOCUMENTS

1,848,980	A	3/1932	Walker	
2,647,517	A	8/1953	Bilbrey	
4,315,642	A	* 2/1982	Errichiello	281/33
4,892,195	A	1/1990	Slavin et al.	
4,925,029	A	5/1990	Friedman et al.	
4,993,750	A	* 2/1991	Hoffmeister et al.	281/48
D316,108	S	* 4/1991	Gerriet	D19/26
5,056,823	A	* 10/1991	Stancato	281/49
D352,309	S	* 11/1994	Gresham et al.	D19/27
5,368,333	A	11/1994	Arroyo	
5,711,627	A	1/1998	Chapman	
5,713,553	A	2/1998	Cooper	
5,716,075	A	2/1998	Evert, Jr.	
5,876,143	A	3/1999	Ong	
D413,923	S	* 9/1999	Brown et al.	D19/27

D414,801	S	* 10/1999	Karten et al.	D19/27
6,109,812	A	8/2000	Welch	
D434,938	S	* 12/2000	Hillman	D6/633
D435,269	S	* 12/2000	Karten et al.	D19/27
6,196,591	B1	3/2001	Lieth	
6,241,414	B1	6/2001	Wien	
6,250,834	B1	6/2001	Wien	
D449,645	S	* 10/2001	Gung	D19/26
6,368,005	B1	4/2002	Streff et al.	
6,386,784	B1	5/2002	Ruble	
D458,634	S	* 6/2002	Gerriet	D19/27
D459,391	S	* 6/2002	Huang	D19/27
6,488,433	B1	12/2002	Wien et al.	
D476,682	S	* 7/2003	Berry et al.	D19/27
D496,066	S	* 9/2004	Ara	D19/26

* cited by examiner

Primary Examiner—Joel A. Sincavage

Assistant Examiner—Elizabeth Albert

(74) *Attorney, Agent, or Firm*—Thompson Hine LLP

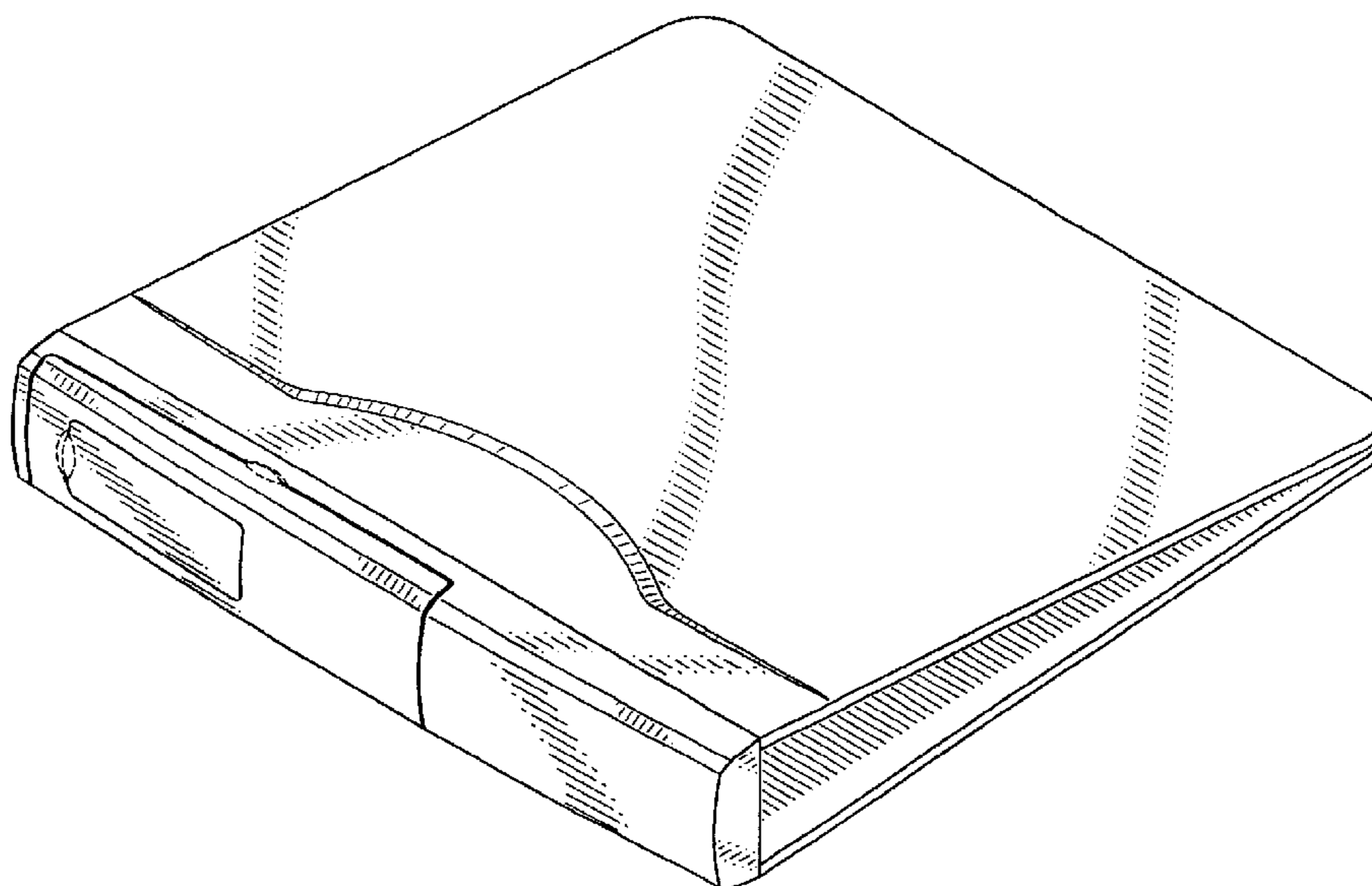
(57) **CLAIM**

The ornamental design for a cover structure for a binder or the like, as shown and described.

DESCRIPTION

FIG. 1 is a front perspective view of the cover structure of the present invention; FIG. 2 is a front view of the cover structure of FIG. 1; FIG. 3 is a rear view of the cover structure of FIG. 1; FIG. 4 is a left end view of the cover structure of FIG. 1; FIG. 5 is a right end view of the cover structure of FIG. 1; FIG. 6 is bottom end view of the cover structure of FIG. 1; and, FIG. 7 is a top end view of the cover structure of FIG. 1. The broken lines are for illustrative purposes only and do not constitute any part of the claimed design.

1 Claim, 5 Drawing Sheets



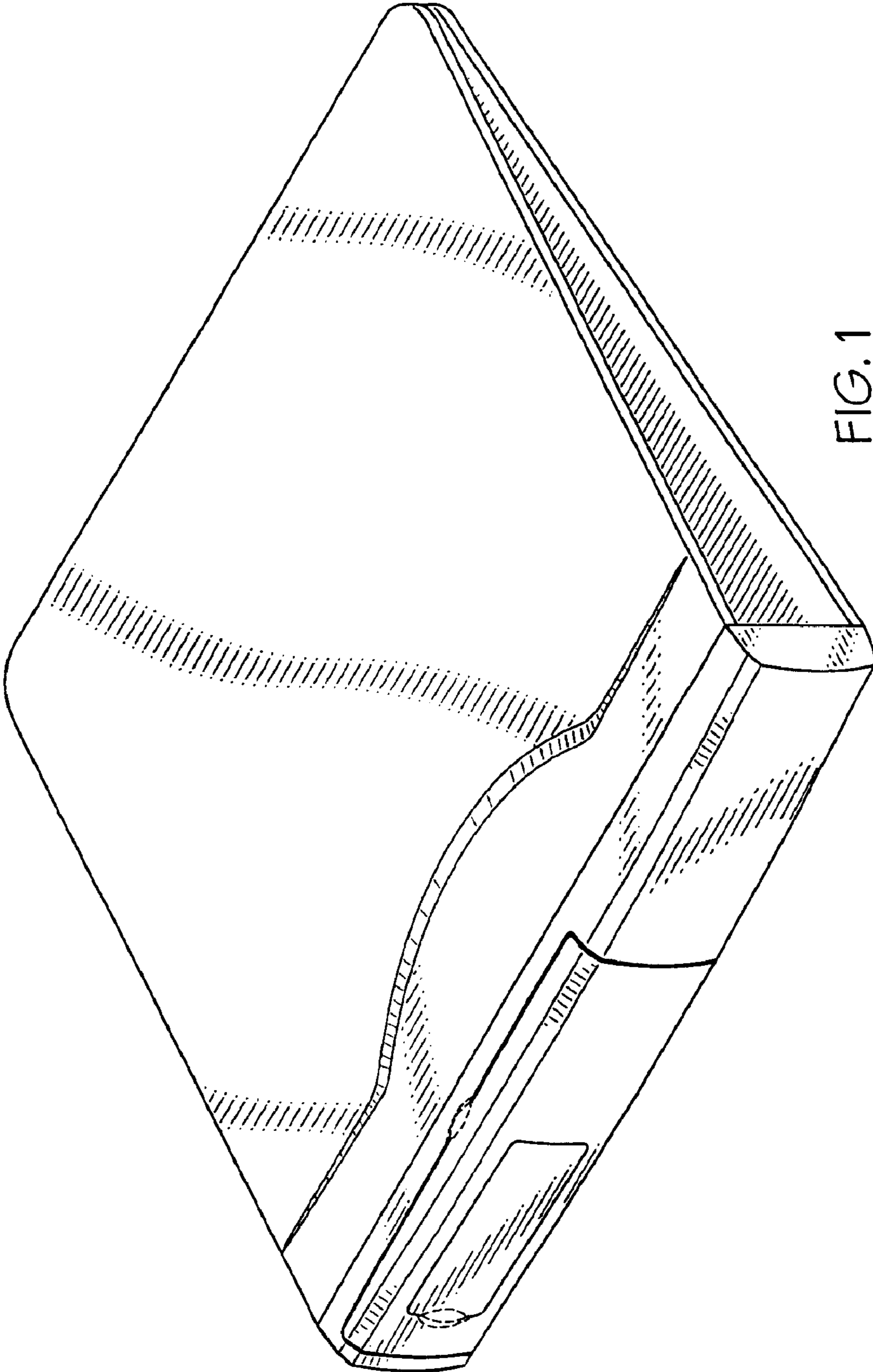


FIG. 1

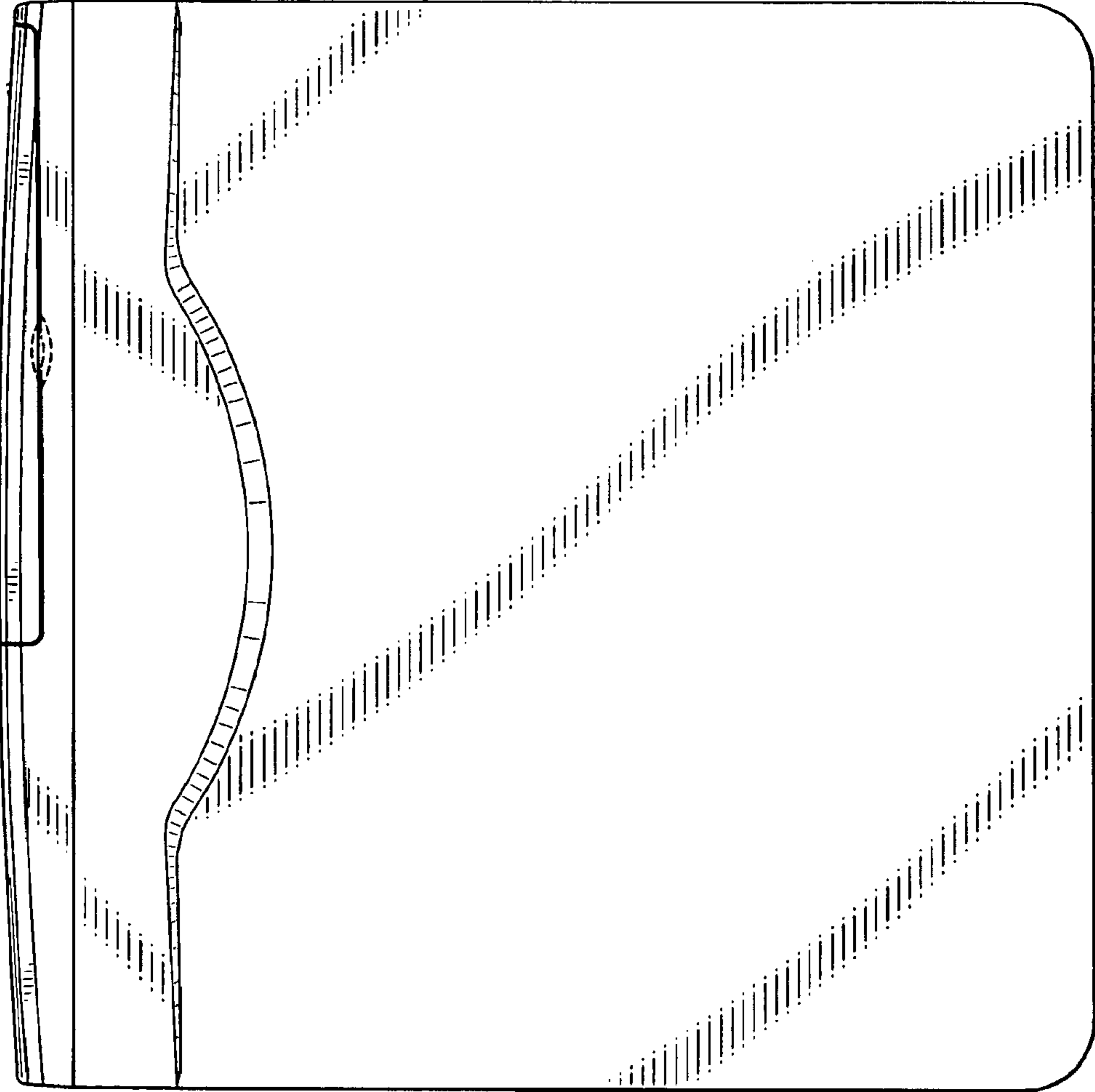


FIG. 2

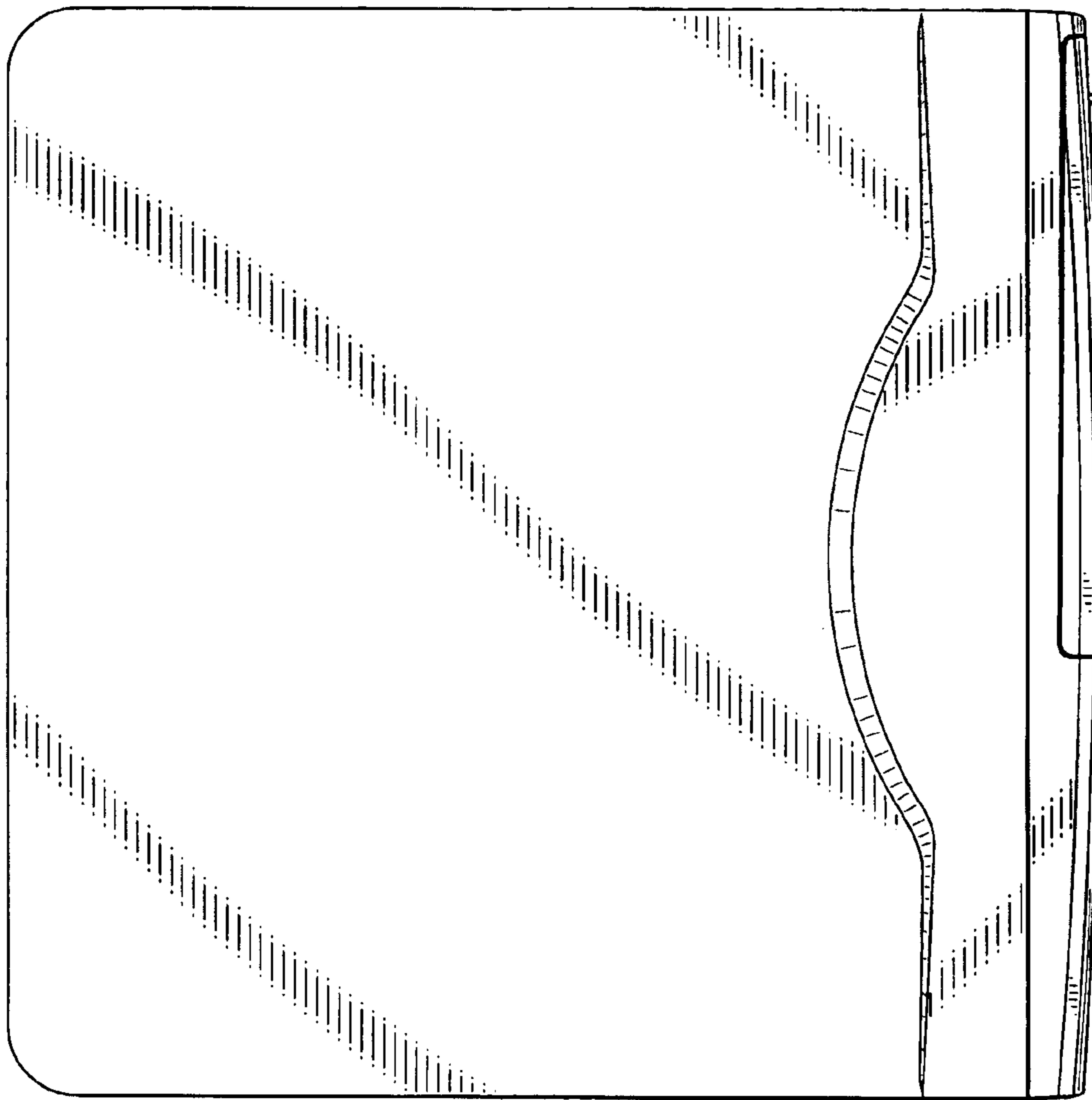


FIG. 3

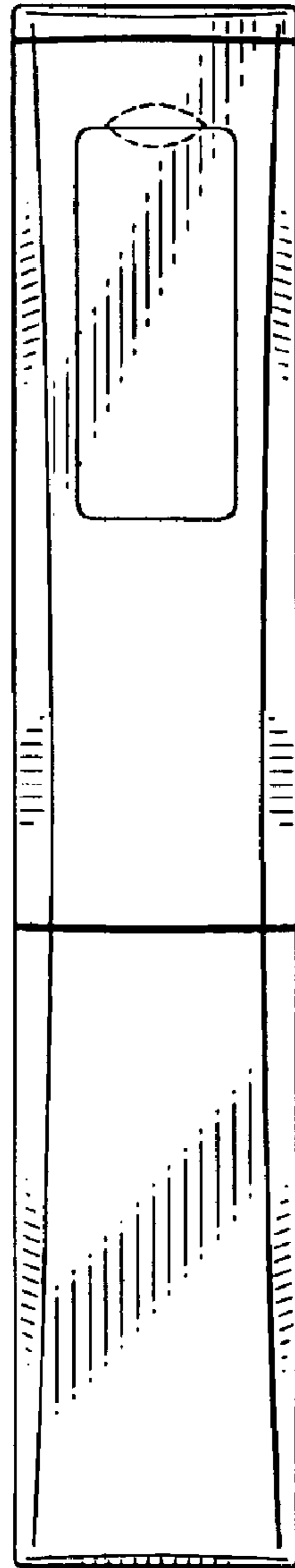


FIG. 4

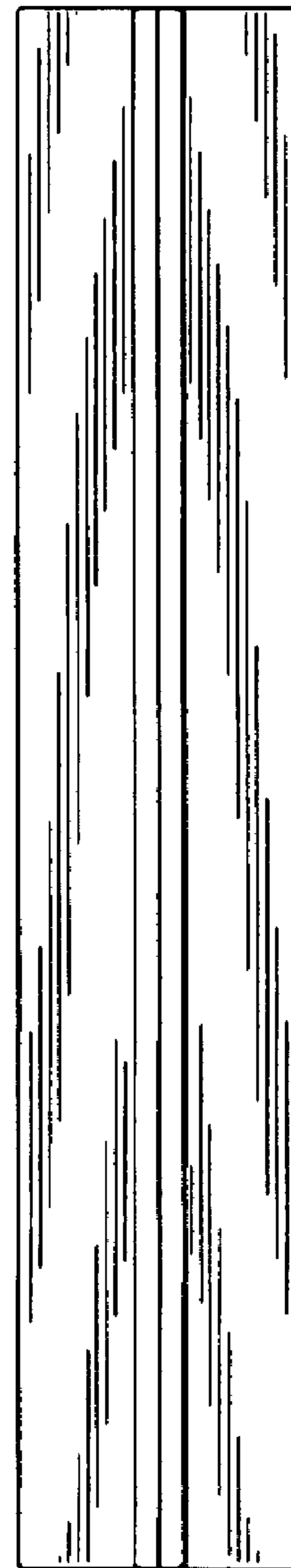


FIG. 5

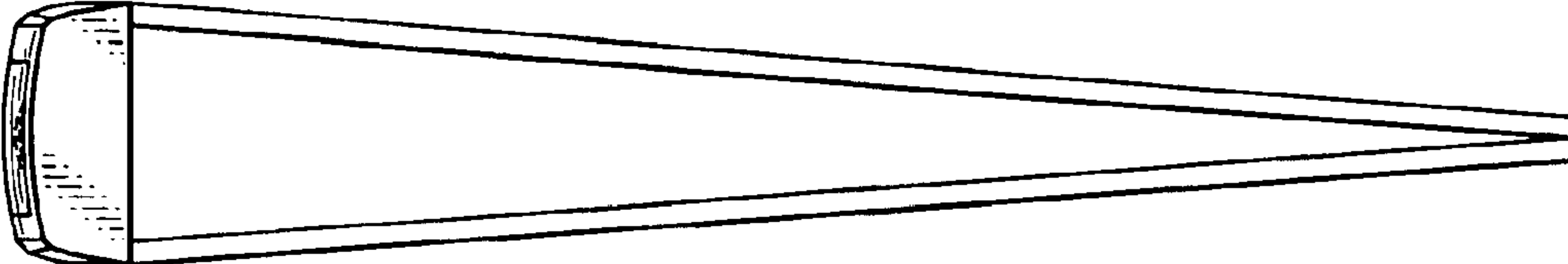


FIG. 6

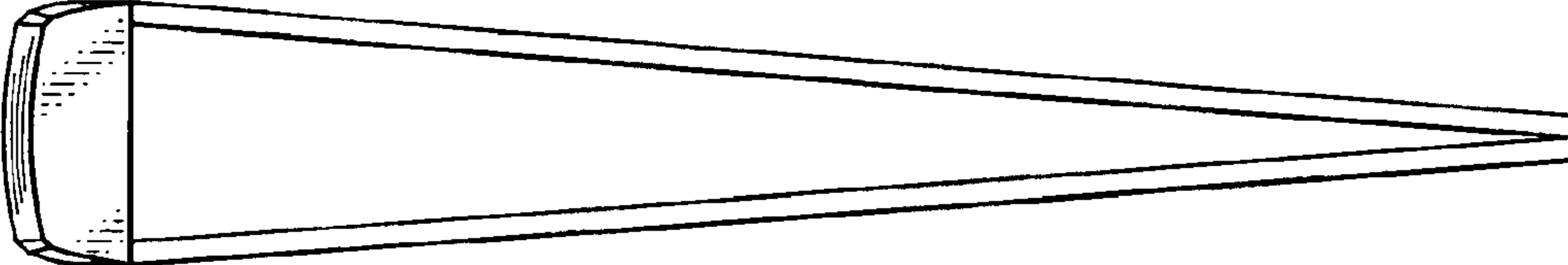


FIG. 7