

US00D504462S

(12) **United States Design Patent**
Mori

(10) **Patent No.:** **US D504,462 S**

(45) **Date of Patent:** **** Apr. 26, 2005**

(54) **ENVELOPE**

(76) **Inventor:** **Shohei Mori**, 7-4, Takaramachi,
Komatsu, Ishikawa 923-0803 (JP)

(**) **Term:** **14 Years**

(21) **Appl. No.:** **29/185,595**

(22) **Filed:** **Jul. 1, 2003**

(51) **LOC (7) Cl.** **19-01**

(52) **U.S. Cl.** **D19/3**

(58) **Field of Search** D19/1, 2, 3, 4,
D19/5; 206/215; 229/68.1, 71, 72, 92, 92.5,
92.7, 92.8, 300, 307, 308, 309, 310, 311,
312, 313, 314, 315, 316; 283/116; 493/216

(56) **References Cited**

U.S. PATENT DOCUMENTS

442,840	A	*	12/1890	West	229/307
557,202	A	*	3/1896	Handly	229/80
912,140	A	*	2/1909	Levy	206/459.5
1,335,814	A	*	4/1920	Blue	229/68.1
1,336,646	A	*	4/1920	Mendenhall	229/81
1,434,097	A	*	10/1922	Connor	229/68.1
1,896,425	A	*	2/1933	Scarfi	229/311
3,650,463	A	*	3/1972	Christiansen et al.	229/81
4,729,507	A	*	3/1988	Kim	229/301
D310,385	S	*	9/1990	Thomson	D19/3

D387,380	S	*	12/1997	Feit	D19/3
D415,195	S	*	10/1999	Kinkel et al.	D19/3
6,709,018	B1	*	3/2004	Phillips	283/116
6,732,494	B1	*	5/2004	Nolte	53/459

* cited by examiner

Primary Examiner—Nelson C. Holtje

Assistant Examiner—Elizabeth Albert

(74) *Attorney, Agent, or Firm*—Wenderoth, Lind & Ponack,
L.L.P.

(57) **CLAIM**

The ornamental design for an envelope, as shown and described.

DESCRIPTION

FIG. 1 is a rear right bottom perspective view of an envelope, showing my new design;
FIG. 2 is a top plan view of FIG. 1;
FIG. 3 is a front elevational view of FIG. 1;
FIG. 4 is a bottom plan view of FIG. 1;
FIG. 5 is a right side elevational view of FIG. 1, the left side elevational view being a mirror image;
FIG. 6 is a rear elevational view of FIG. 1; and,
FIG. 7 is a rear elevational view of FIG. 1, with a top flap folded back to the back wall.

1 Claim, 3 Drawing Sheets

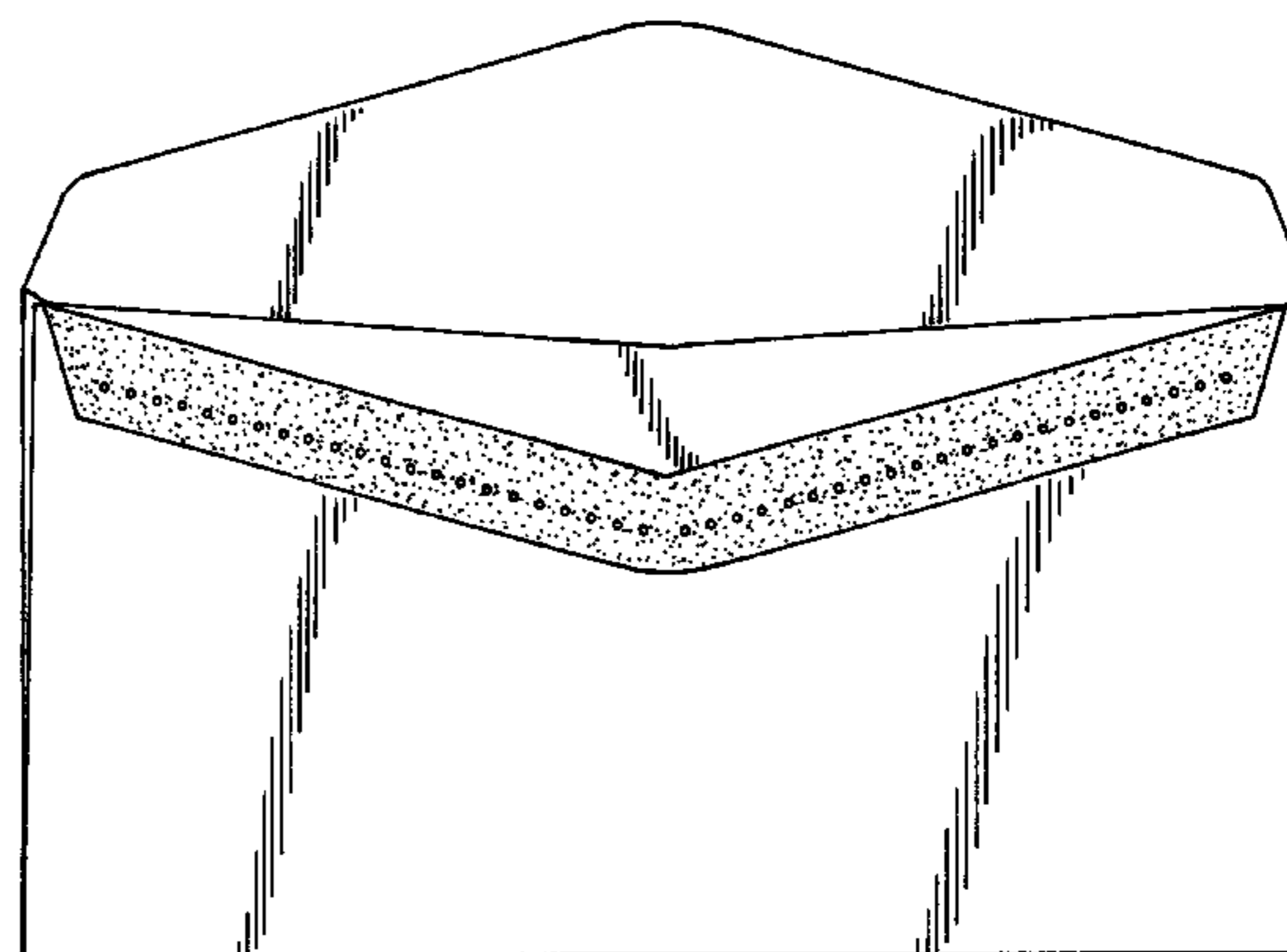
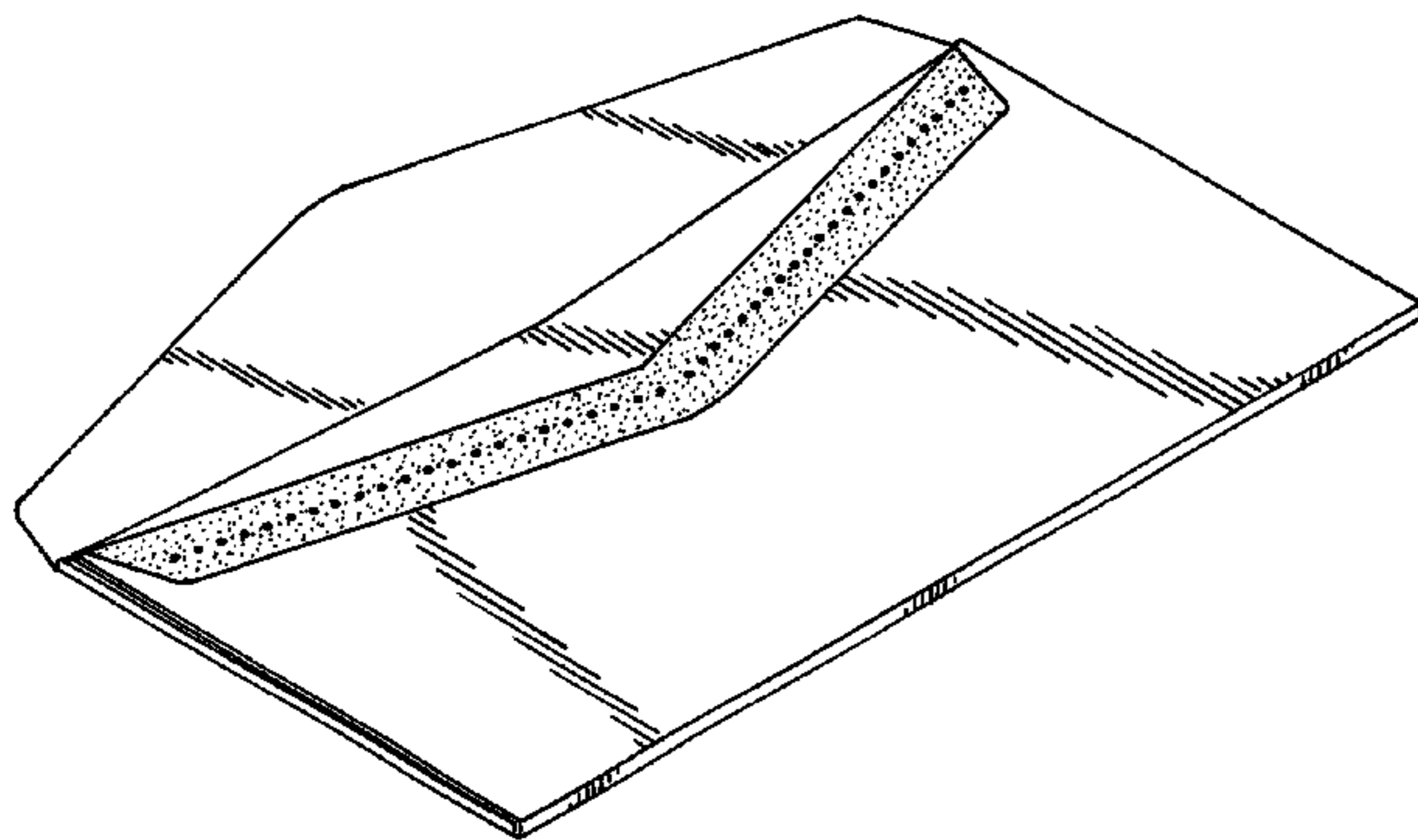


FIG. 1

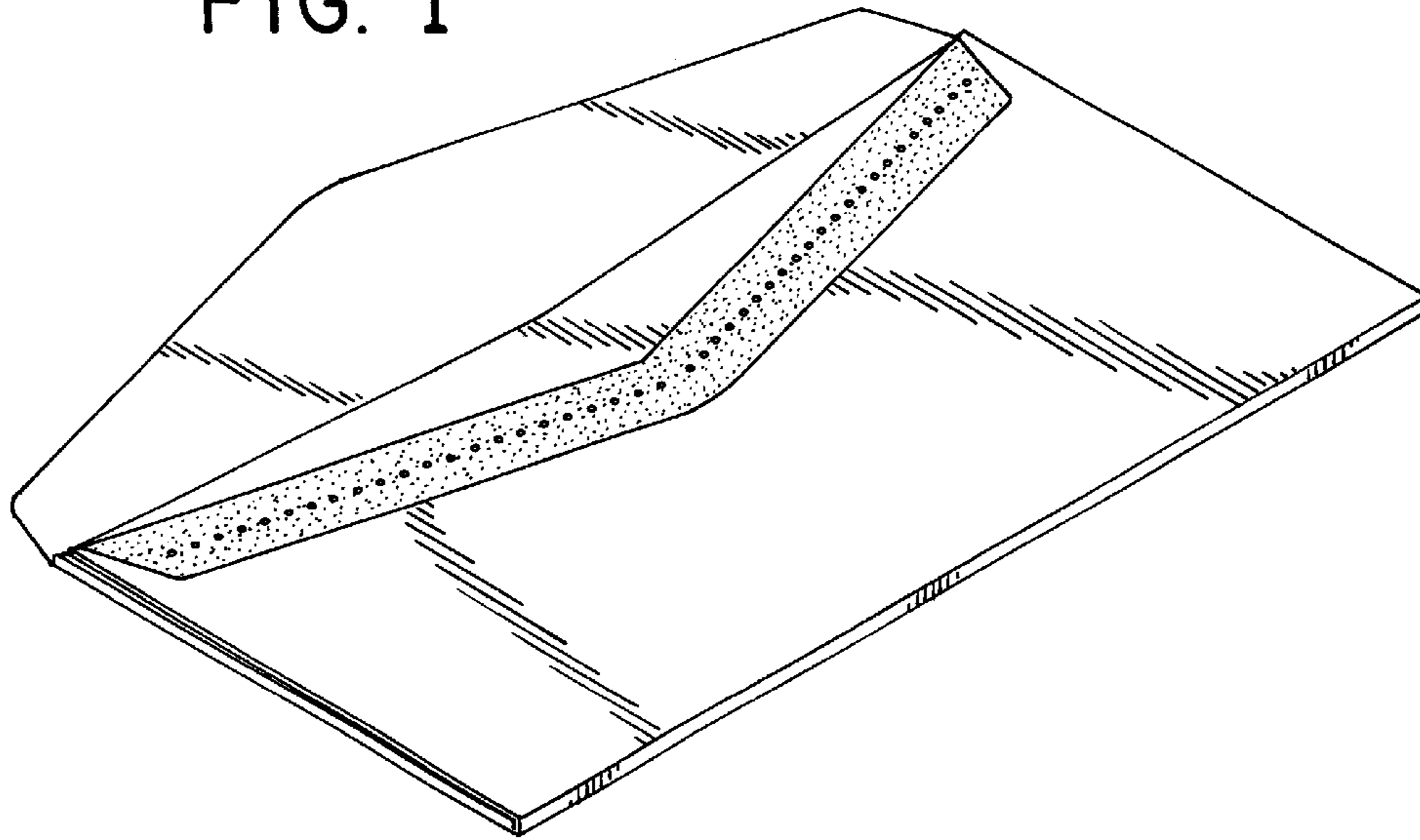


FIG. 2

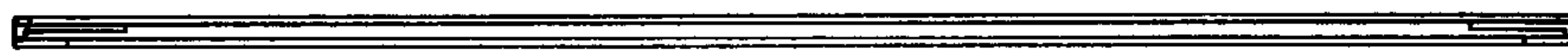


FIG. 3

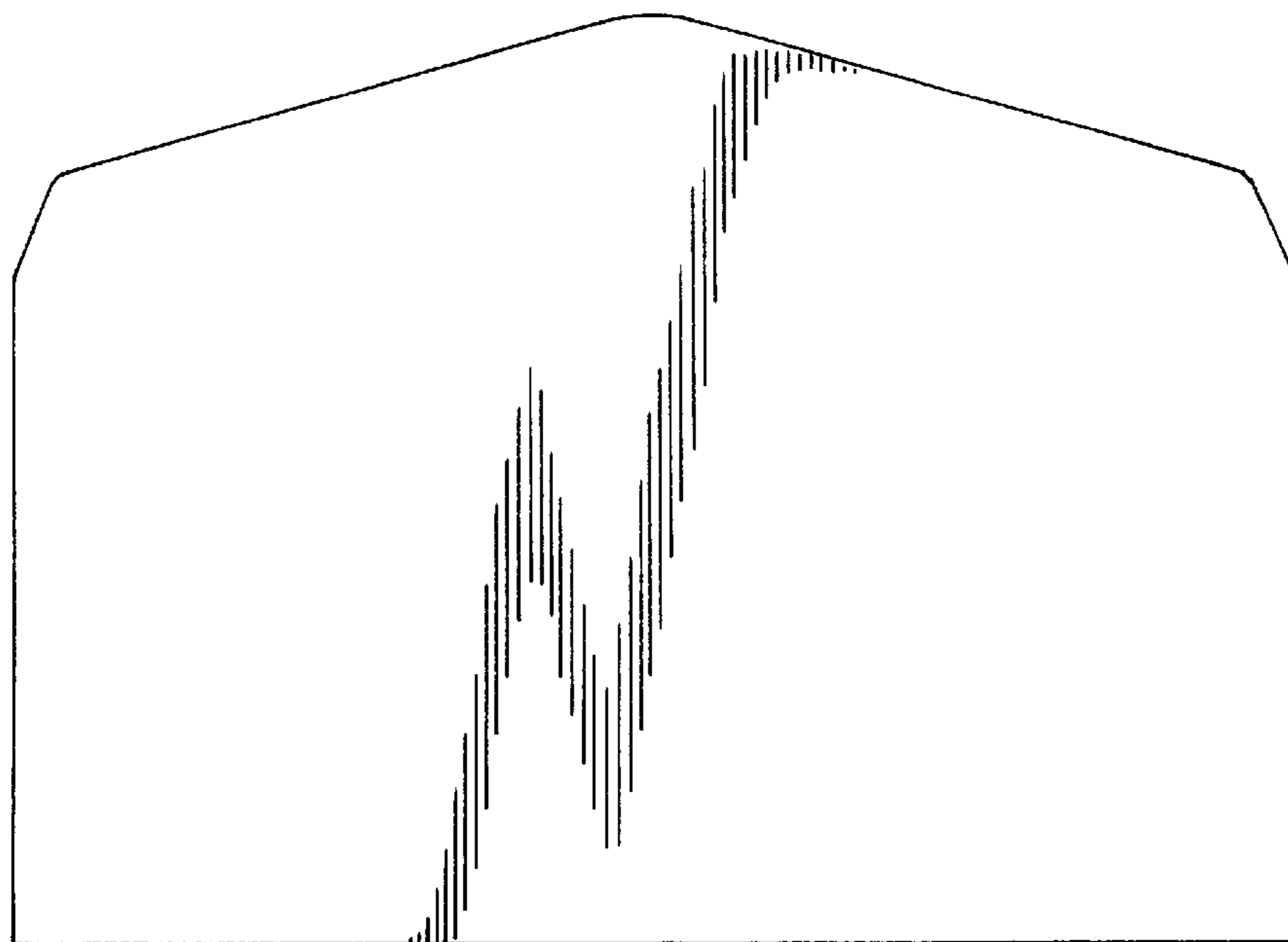


FIG. 4

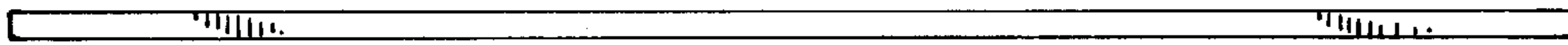


FIG. 5



FIG. 6

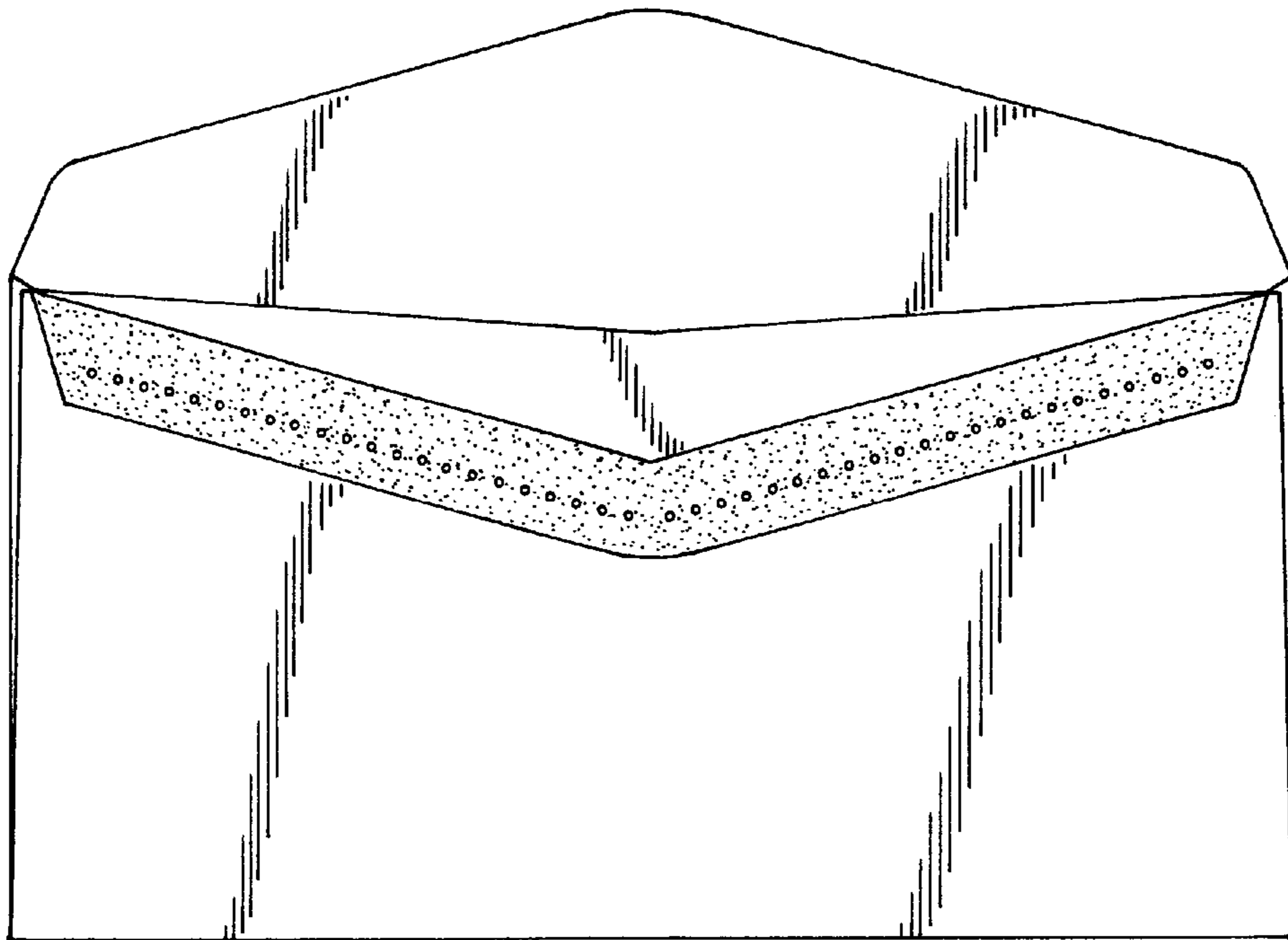


FIG. 7

