

US00D504461S

(12) **United States Design Patent**
Sasaki

(10) **Patent No.:** **US D504,461 S**

(45) **Date of Patent:** **** Apr. 26, 2005**

(54) **INK CARTRIDGE**

D447,513 S * 9/2001 Miyazawa et al. D18/56
D468,347 S * 1/2003 Yamada et al. D18/56

(75) **Inventor:** **Toyonori Sasaki, Anjyo (JP)**

* cited by examiner

(73) **Assignee:** **Brothers Industries, Ltd., Aichi-Ken (JP)**

Primary Examiner—Cathy Anne MacCormac
(74) *Attorney, Agent, or Firm*—McKenna Long & Aldridge LLP

(**) **Term:** **14 Years**

(21) **Appl. No.:** **29/174,003**

(22) **Filed:** **Jan. 10, 2003**

(30) **Foreign Application Priority Data**

Jul. 10, 2002 (JP) 2002-018541

(51) **LOC (7) Cl.** **18-02**

(52) **U.S. Cl.** **D18/56; 347/86**

(58) **Field of Search** **D18/56, 40, 43; 347/86, 87**

(56) **References Cited**

U.S. PATENT DOCUMENTS

D415,790 S * 10/1999 Hmelar et al. D18/56
D425,110 S * 5/2000 Dietl et al. D18/56
D428,915 S * 8/2000 Hmelar et al. D18/56
D447,169 S * 8/2001 Okubo et al. D18/56

(57) **CLAIM**

The ornamental design for an ink cartridge, as shown and described.

DESCRIPTION

FIG. 1 is a front elevation view of my new design; FIG. 2 is a top plan view thereof; FIG. 3 is a right side view thereof; FIG. 4 is a left side view thereof; FIG. 5 is a rear elevation view thereof; FIG. 6 is a bottom plan view thereof; FIG. 7 is a bottom perspective view thereof; FIG. 8 is a top perspective view thereof; and, FIG. 9 is an enlarged right side view. The broken lines are for illustration only and form no part of the claimed design.

1 Claim, 4 Drawing Sheets

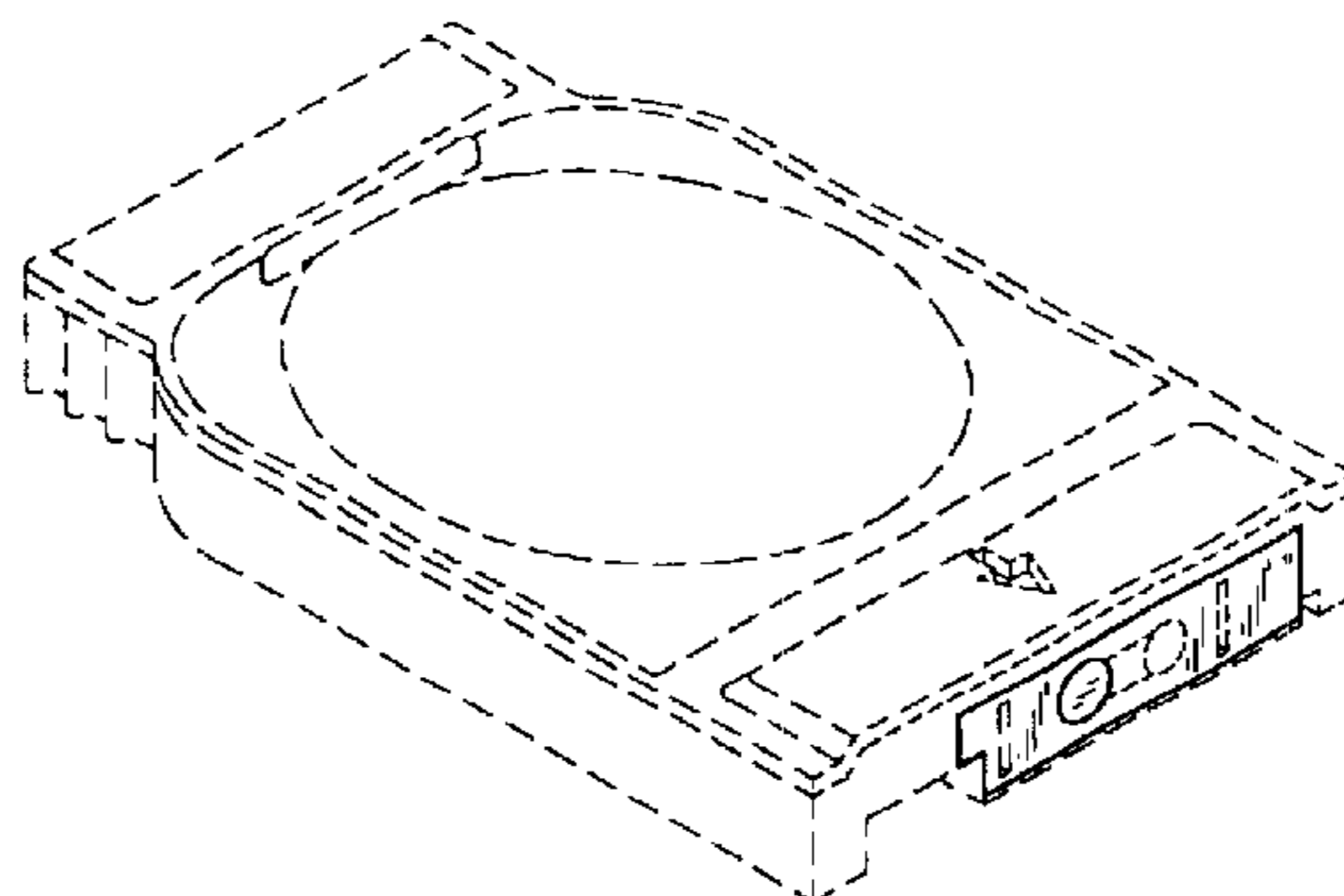
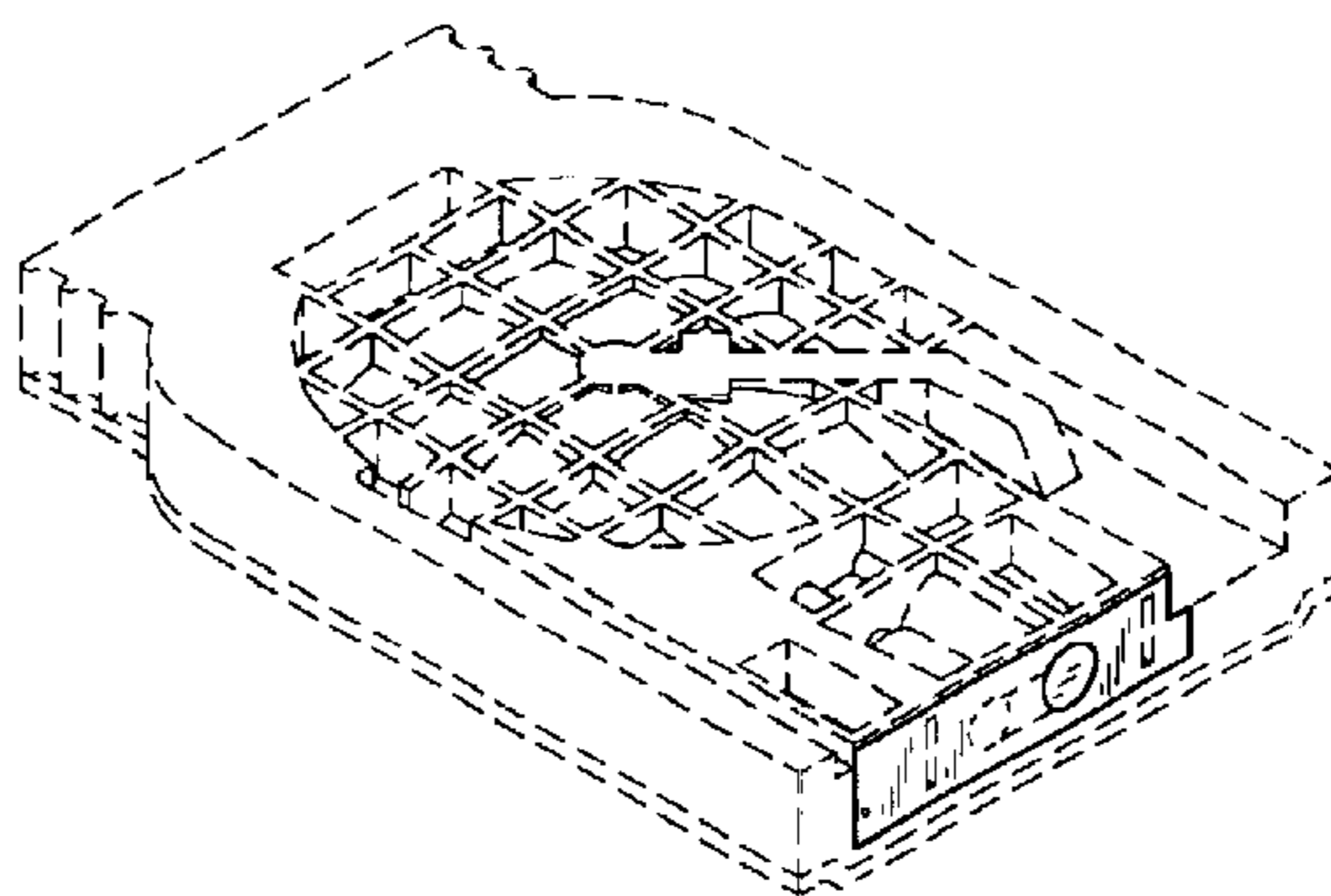


FIG. 1

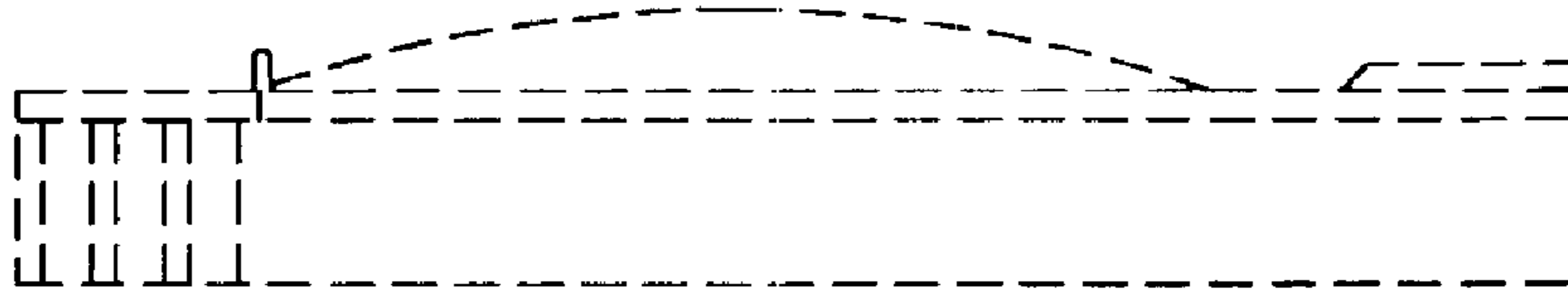


FIG. 2

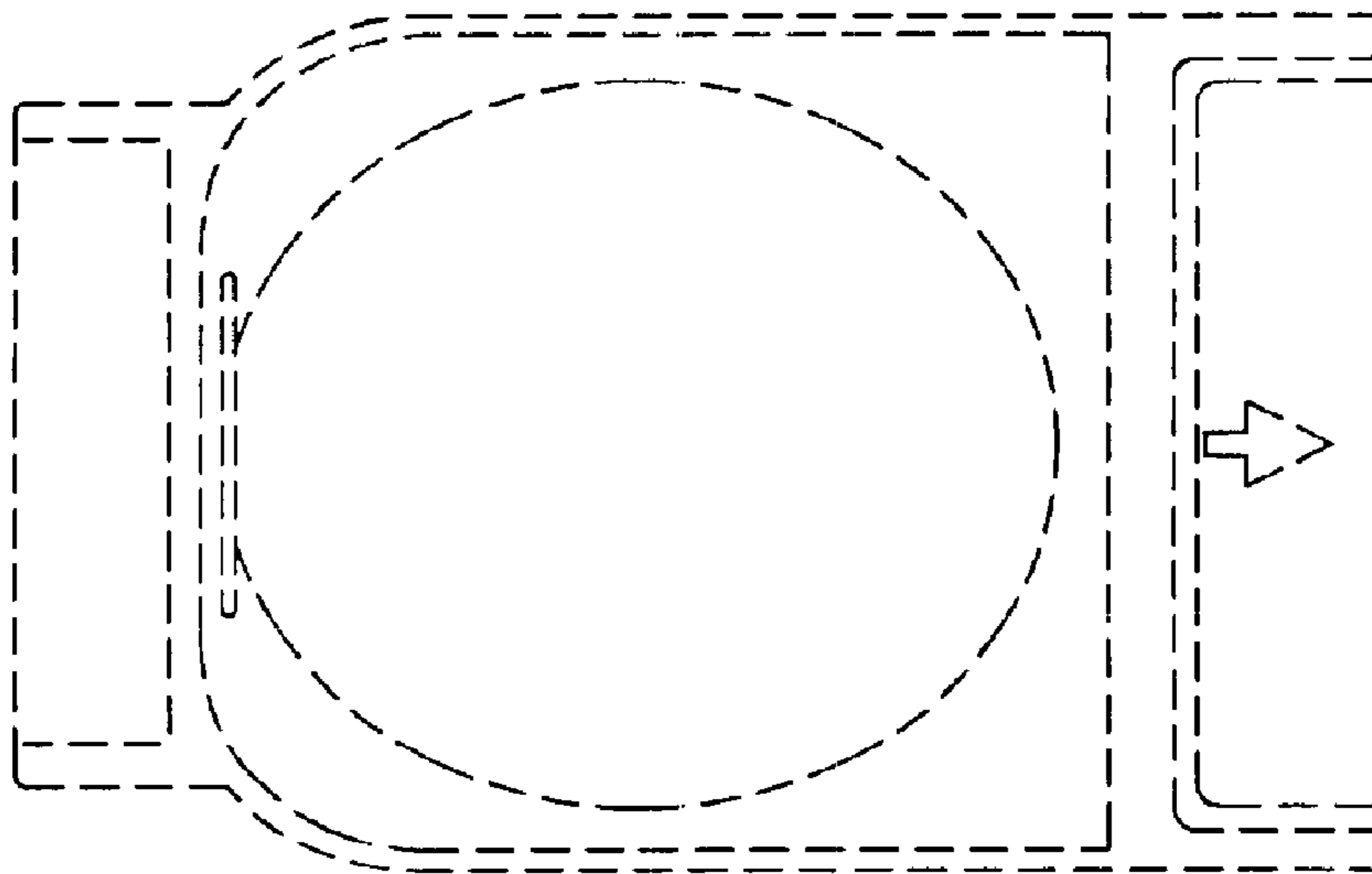


FIG. 3

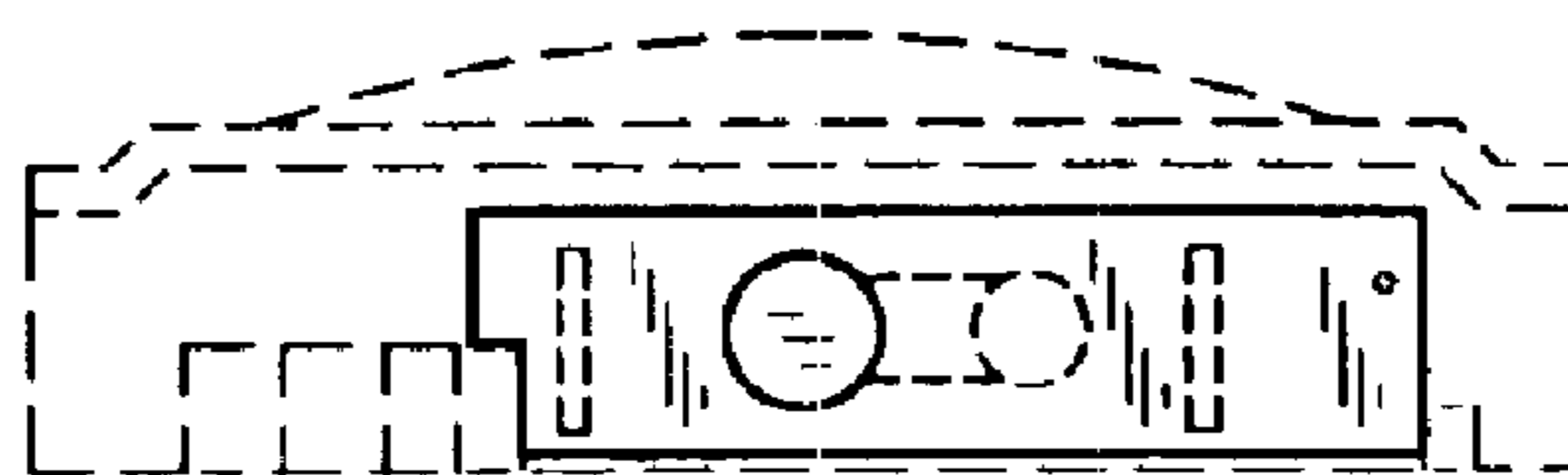


FIG. 4

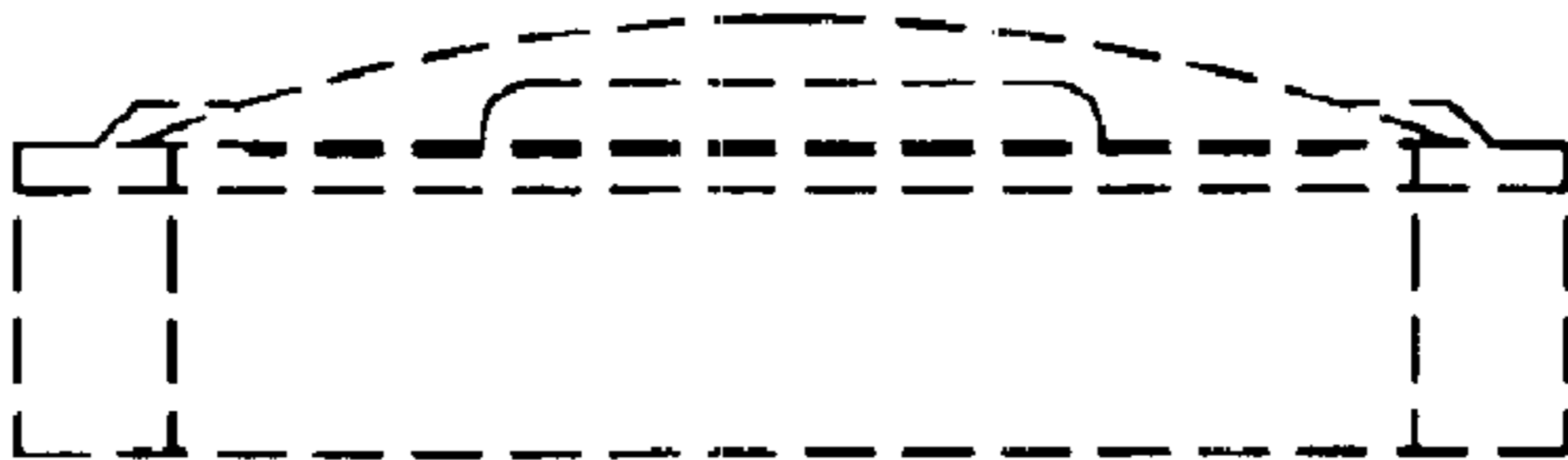


FIG. 5

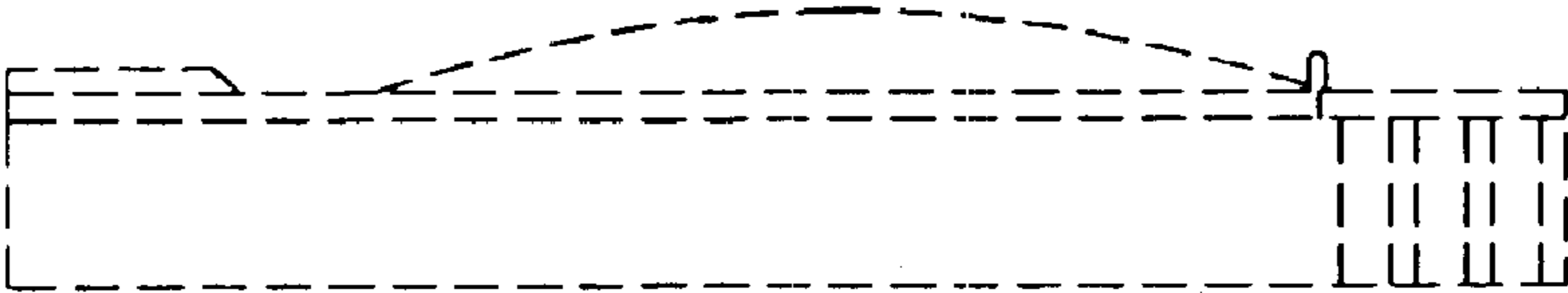


FIG. 6

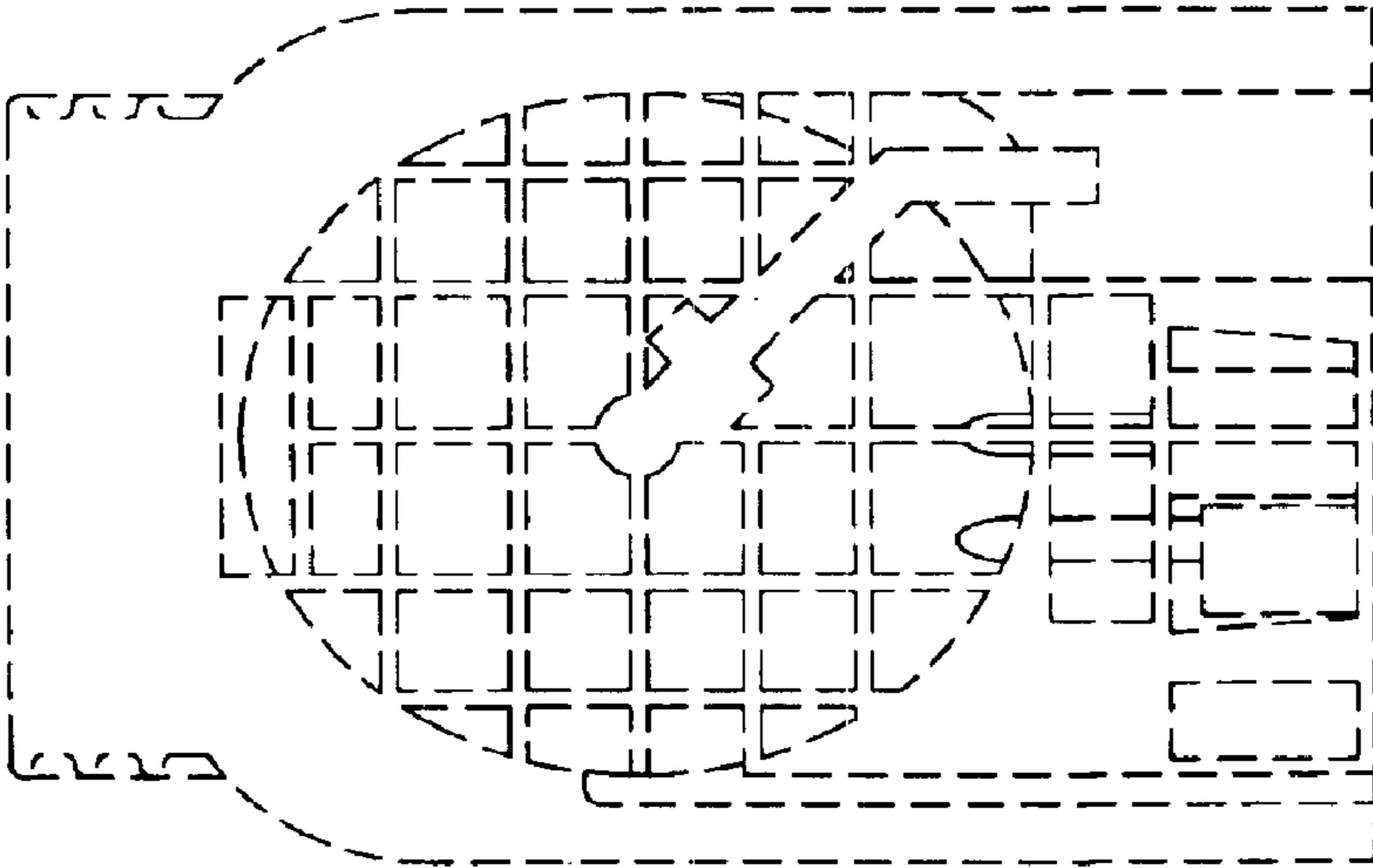


FIG. 7

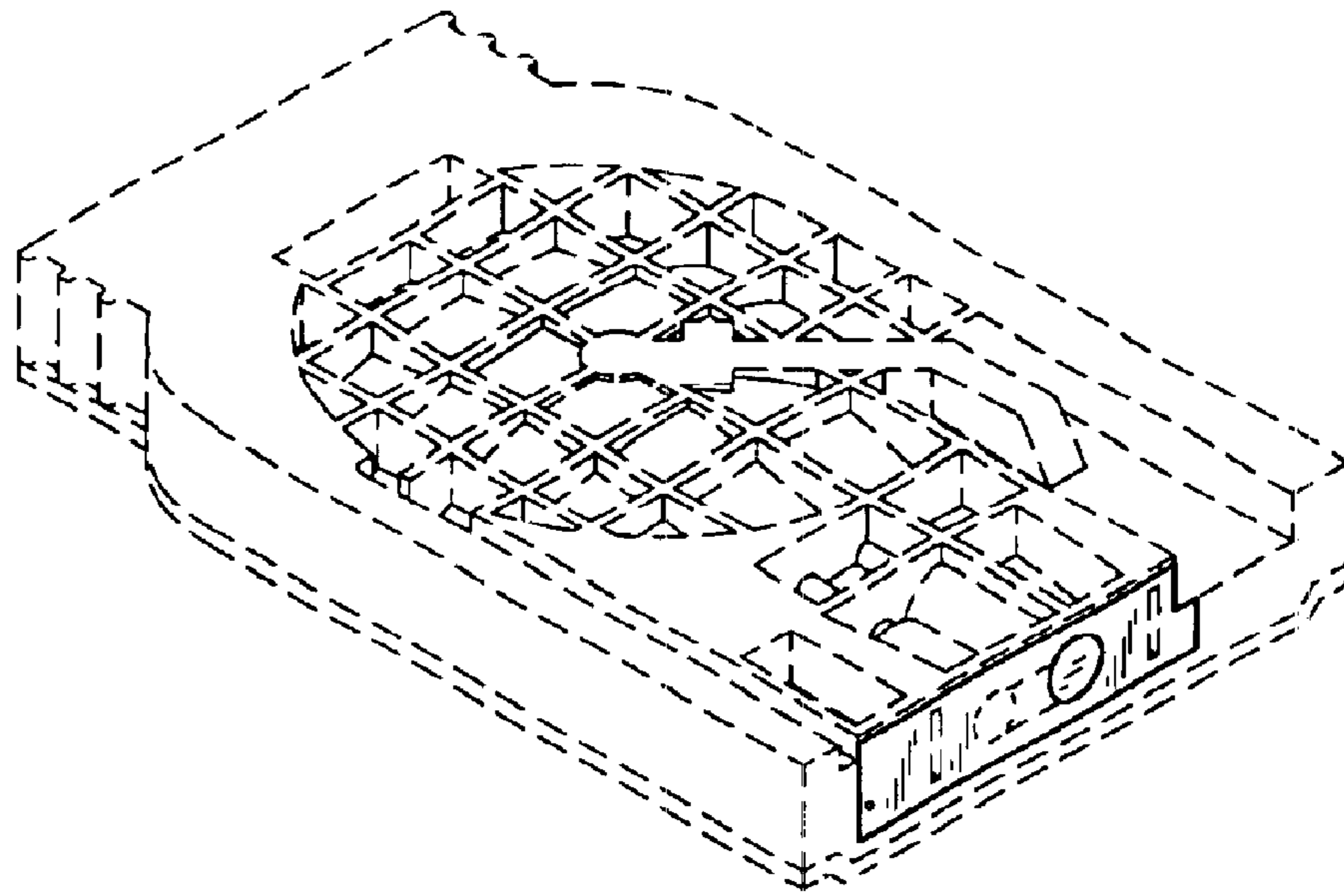


FIG. 8

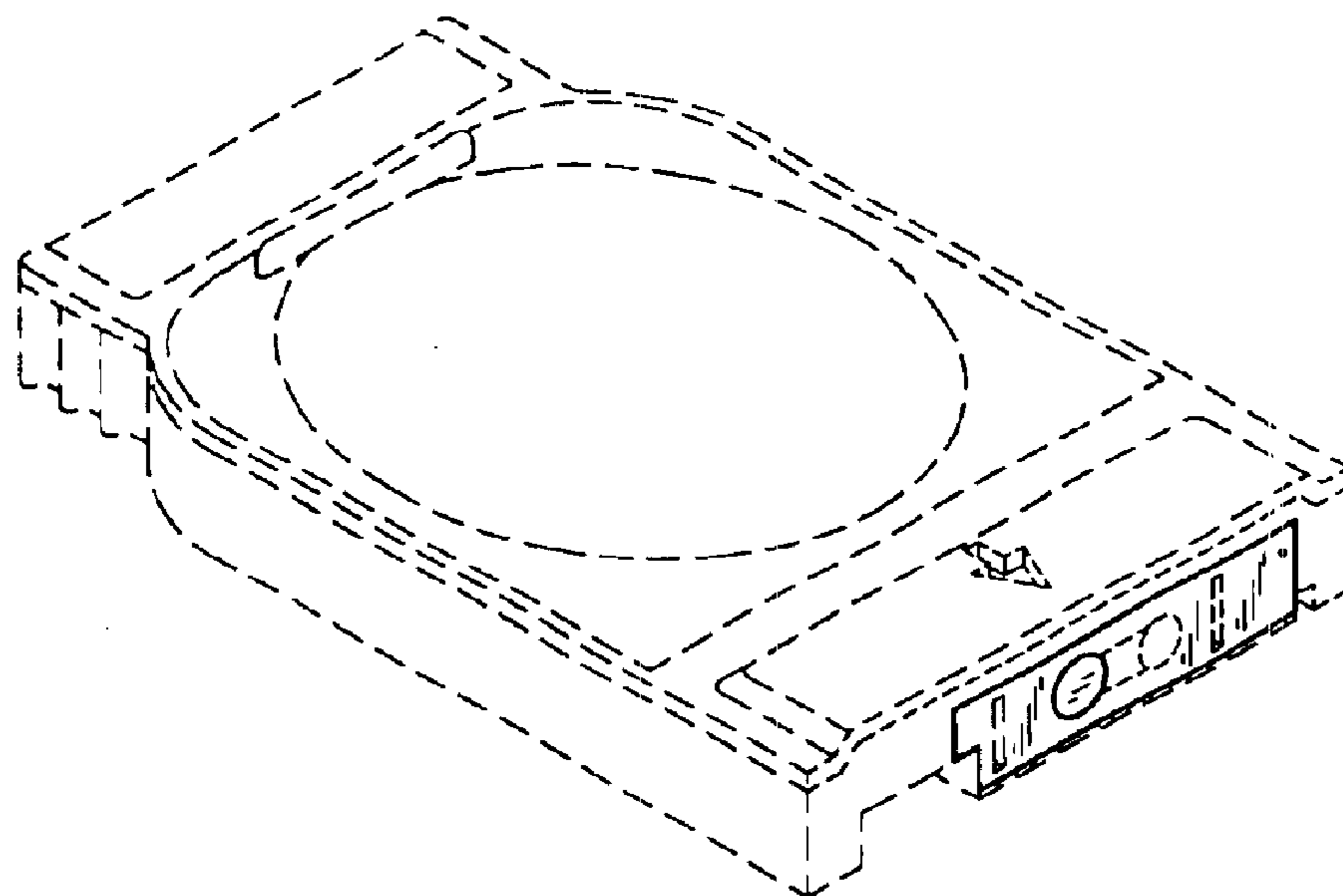


FIG. 9

