

US00D504454S

(12) **United States Design Patent**
Brown

(10) **Patent No.:** **US D504,454 S**

(45) **Date of Patent:** **** Apr. 26, 2005**

(54) **CAMERA ARM**

(75) **Inventor:** **Stephen G. Brown, Vancouver, WA (US)**

(73) **Assignee:** **Poly Vision Corporation, Suwanee, GA (US)**

(**) **Term:** **14 Years**

(21) **Appl. No.:** **29/193,102**

(22) **Filed:** **Nov. 3, 2003**

Related U.S. Application Data

(63) Continuation of application No. 29/158,876, filed on Apr. 11, 2002, now Pat. No. Des. 487,904.

(51) **LOC (7) Cl.** **16-05**

(52) **U.S. Cl.** **D16/242**

(58) **Field of Search** D16/237, 242,
D16/243-245; 224/908; 248/126, 187.1,
188.8; 352/243; 396/419, 420, 428

(56) **References Cited**

U.S. PATENT DOCUMENTS

4,640,481 A * 2/1987 Kohno 248/126

D302,561 S * 8/1989 Goins D16/242
4,991,758 A * 2/1991 Eaneff 224/908
5,566,915 A * 10/1996 Hansare 248/188.8
D382,286 S * 8/1997 Doran D16/242

* cited by examiner

Primary Examiner—Adir Aronovich

(74) *Attorney, Agent, or Firm*—Troutman Sanders LLP;
Ryan A. Schneider

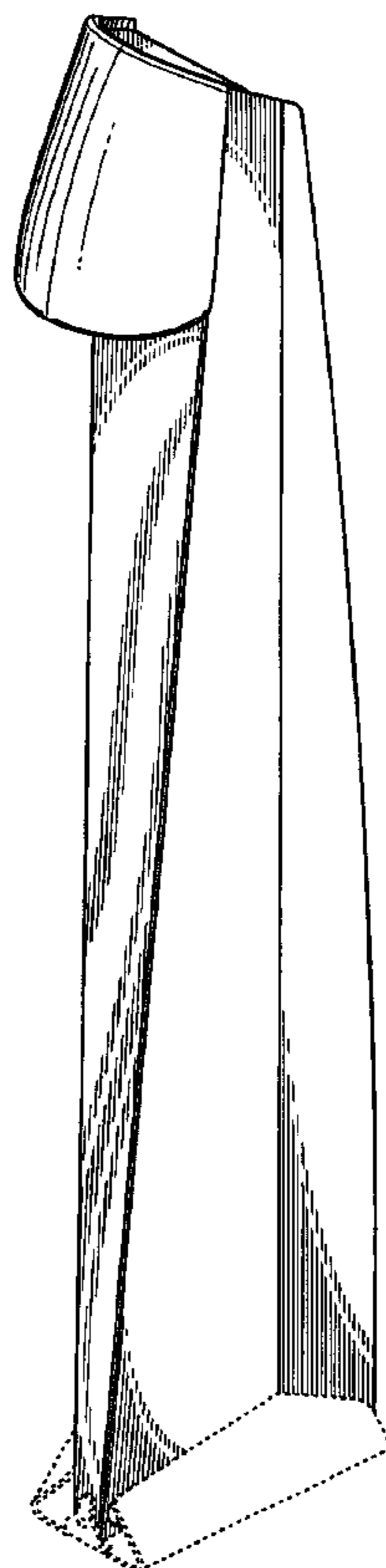
(57) **CLAIM**

The ornamental design for a camera arm, as shown and described.

DESCRIPTION

FIG. 1 is a perspective of the camera arm.
FIG. 2 is a bottom view of the camera arm.
FIG. 3 is a top view of the camera arm.
FIG. 4 is a right side view of the camera arm.
FIG. 5 is a left side view of the camera arm.
FIG. 6 is a front end view of the camera arm; and,
FIG. 7 is a back end view of the camera arm.
The portions of the camera arm in broken lines are shown for illustrative purposes only and form no part of the claimed design.

1 Claim, 3 Drawing Sheets



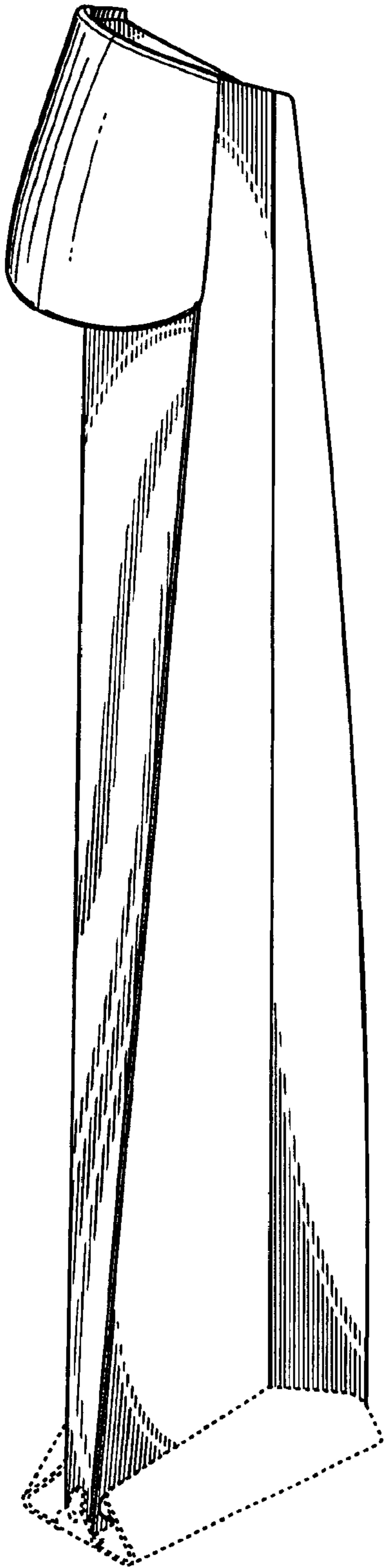


Fig. 1

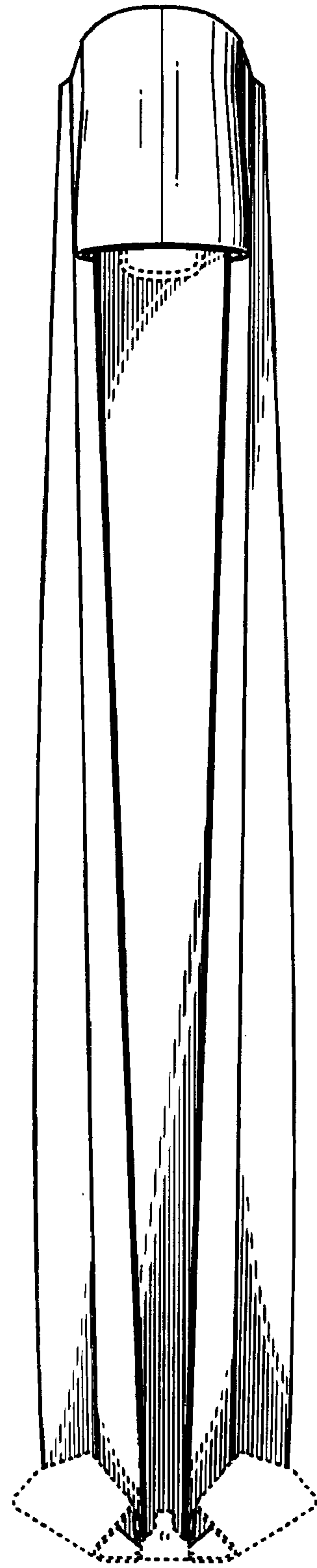


Fig. 2

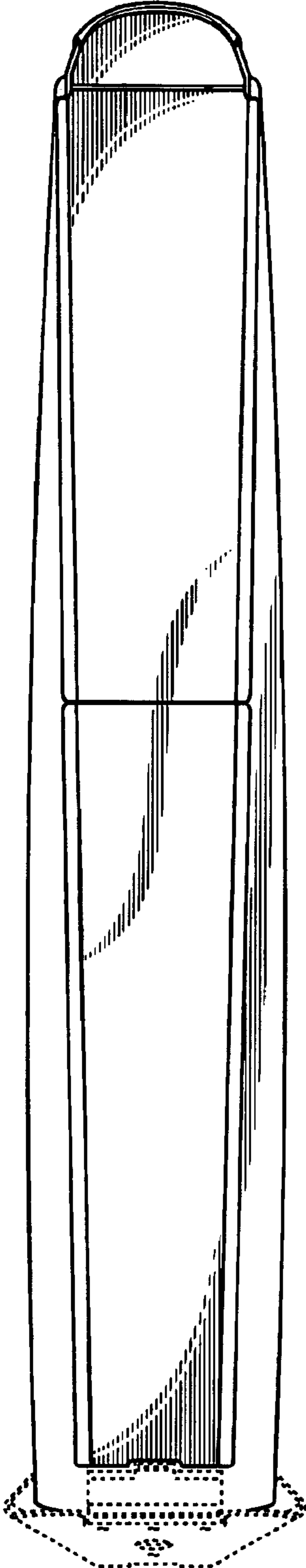


Fig. 3



Fig. 4

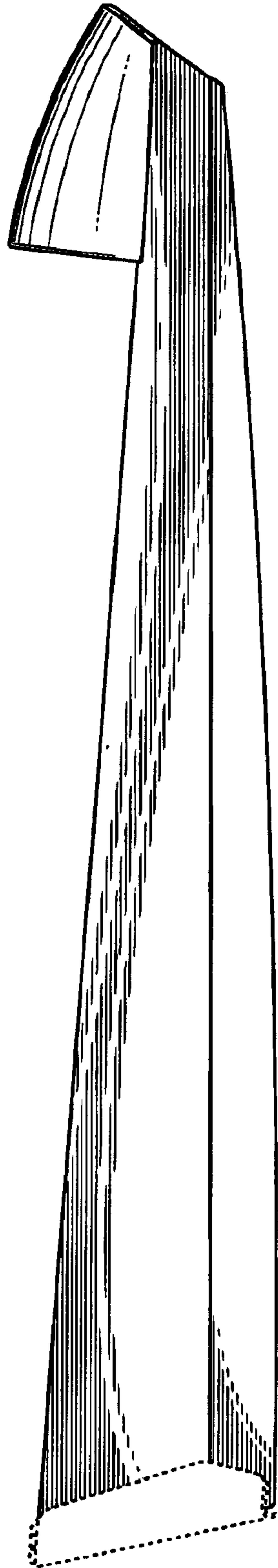


Fig. 5

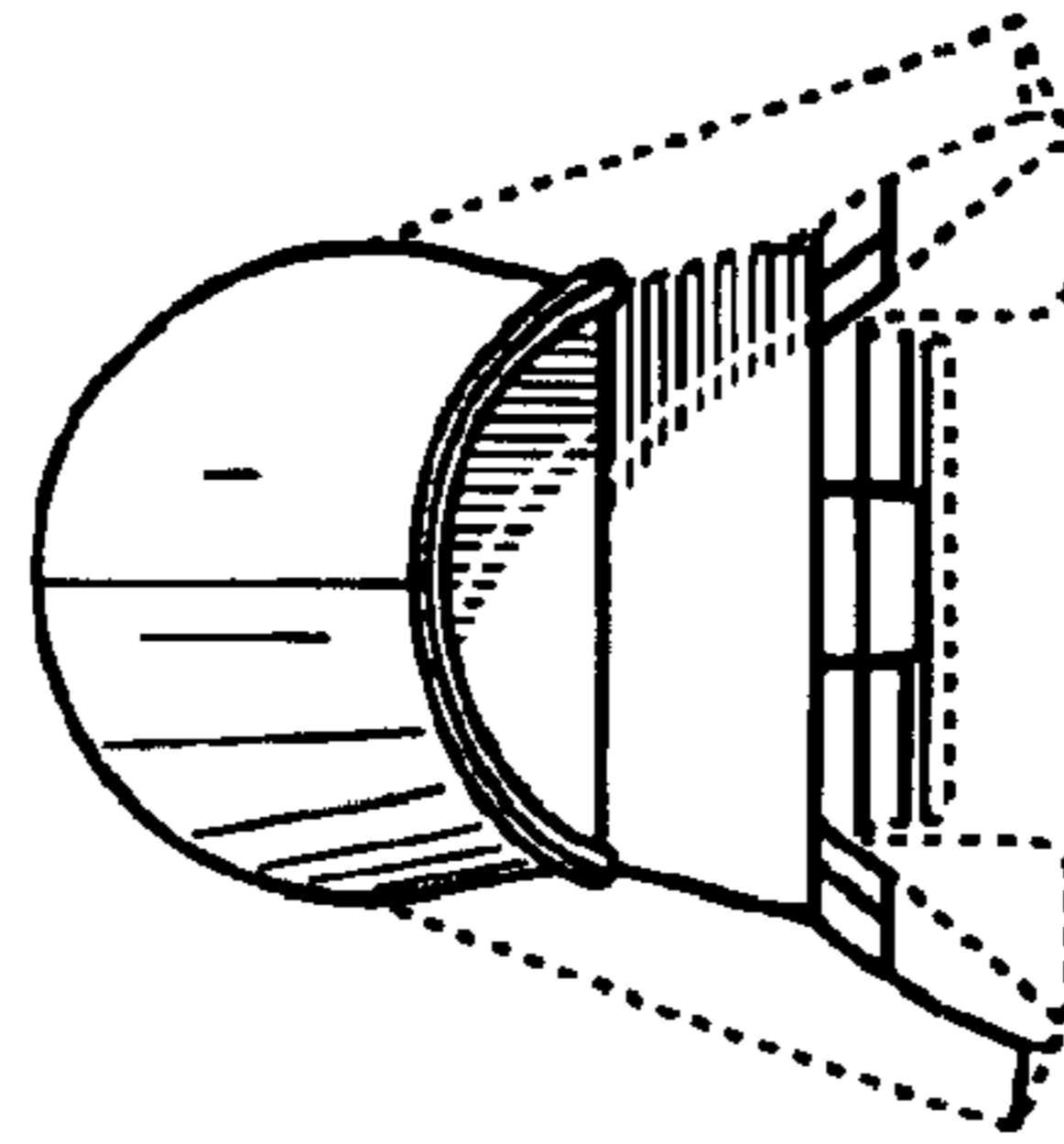


Fig. 6

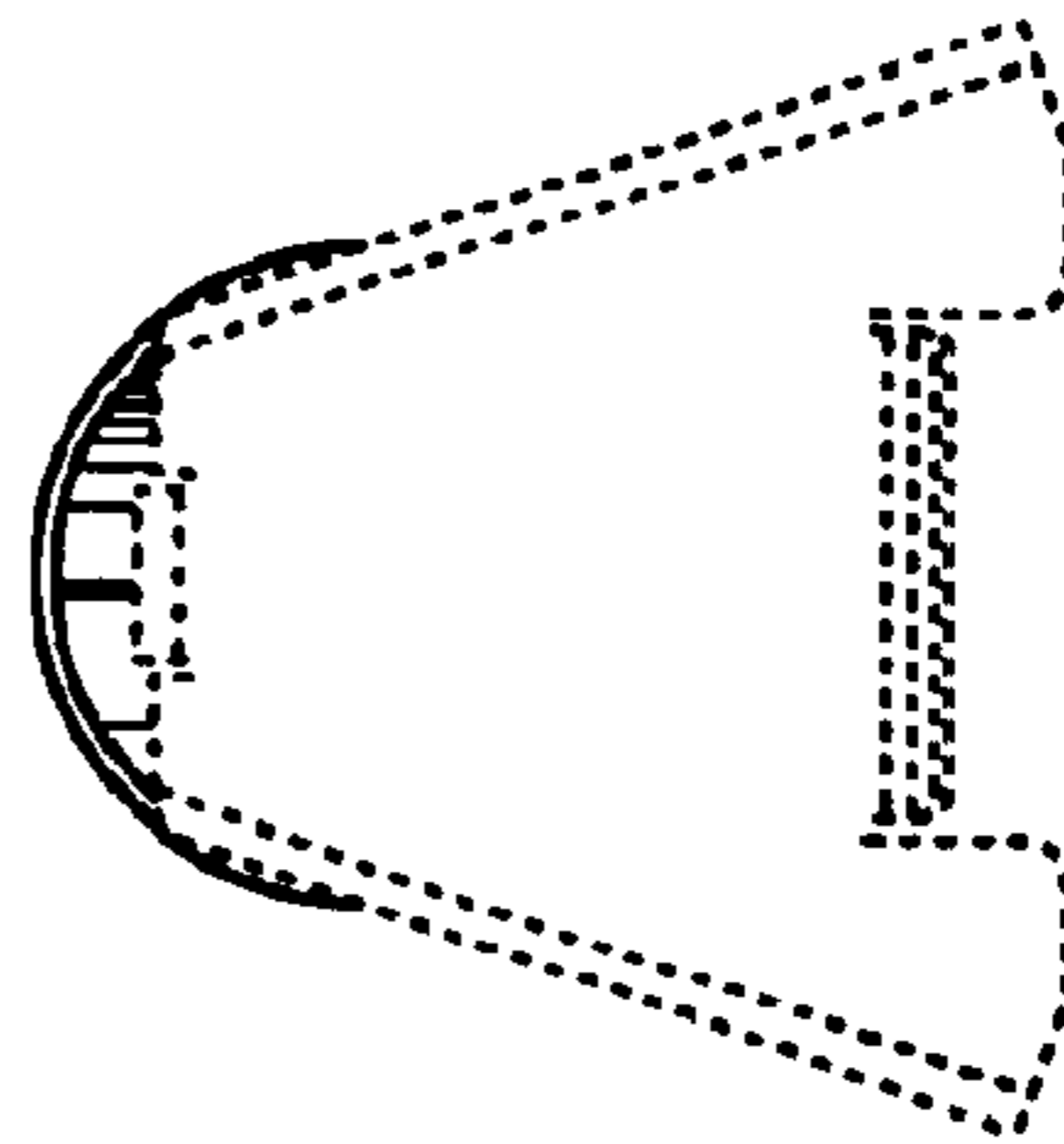


Fig. 7