

US00D504452S

(12) **United States Design Patent**  
**Yoshida**

(10) **Patent No.:** **US D504,452 S**

(45) **Date of Patent:** **\*\* Apr. 26, 2005**

(54) **ELECTRONIC CAMERA**

(75) **Inventor:** **Koji Yoshida, Tokyo (JP)**

(73) **Assignee:** **Fuji Photo Film Co., Ltd., Kanagawa (JP)**

(\*\*) **Term:** **14 Years**

(21) **Appl. No.:** **29/199,872**

(22) **Filed:** **Feb. 23, 2004**

(30) **Foreign Application Priority Data**

Oct. 15, 2003 (JP) ..... 2003-030374

(51) **LOC (7) Cl.** ..... **16-05**

(52) **U.S. Cl.** ..... **D16/219; D16/202**

(58) **Field of Search** ..... **D16/200-205, D16/208, 209, 218, 219; 348/373-376; 358/909.1; 396/535-541**

(56) **References Cited**

**U.S. PATENT DOCUMENTS**

- D373,778 S \* 9/1996 Fasciano et al. .... D16/219
- D472,262 S \* 3/2003 Miyashita ..... D16/219
- D483,783 S 12/2003 Yoshida ..... D16/202
- D484,167 S \* 12/2003 Naito ..... D16/219

- D489,746 S \* 5/2004 Ogura ..... D16/219
- D490,832 S \* 6/2004 Yonekawa et al. .... D16/202
- 6,788,894 B1 \* 9/2004 Suzuki et al. .... 348/373

\* cited by examiner

*Primary Examiner*—Adir Aronovich

(74) *Attorney, Agent, or Firm*—Young & Thompson

(57) **CLAIM**

The ornamental design for an electronic camera, as shown and described.

**DESCRIPTION**

FIG. 1 is a top, front and side perspective view of an electronic camera showing my new design;  
 FIG. 2 is a front elevational view thereof;  
 FIG. 3 is a top plan view thereof;  
 FIG. 4 is a bottom plan view thereof;  
 FIG. 5 is a side elevational view thereof from the left of FIG. 2; and,  
 FIG. 6 is a side elevational view thereof from the right of FIG. 2.

The material shown in broken line indicates one possible environment in which the present invention may be used, but forms no part of that invention.

**1 Claim, 3 Drawing Sheets**

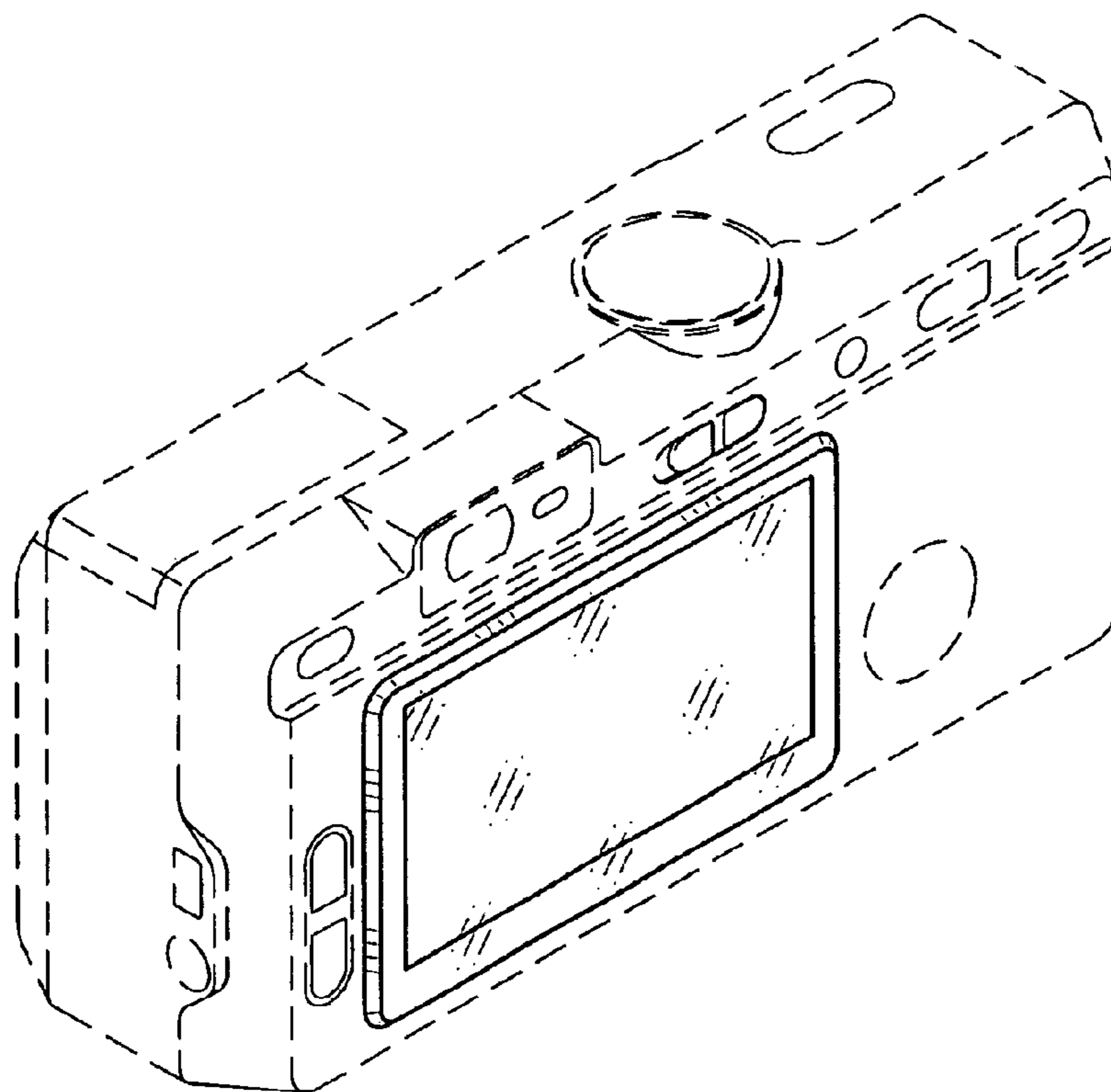


FIG.1

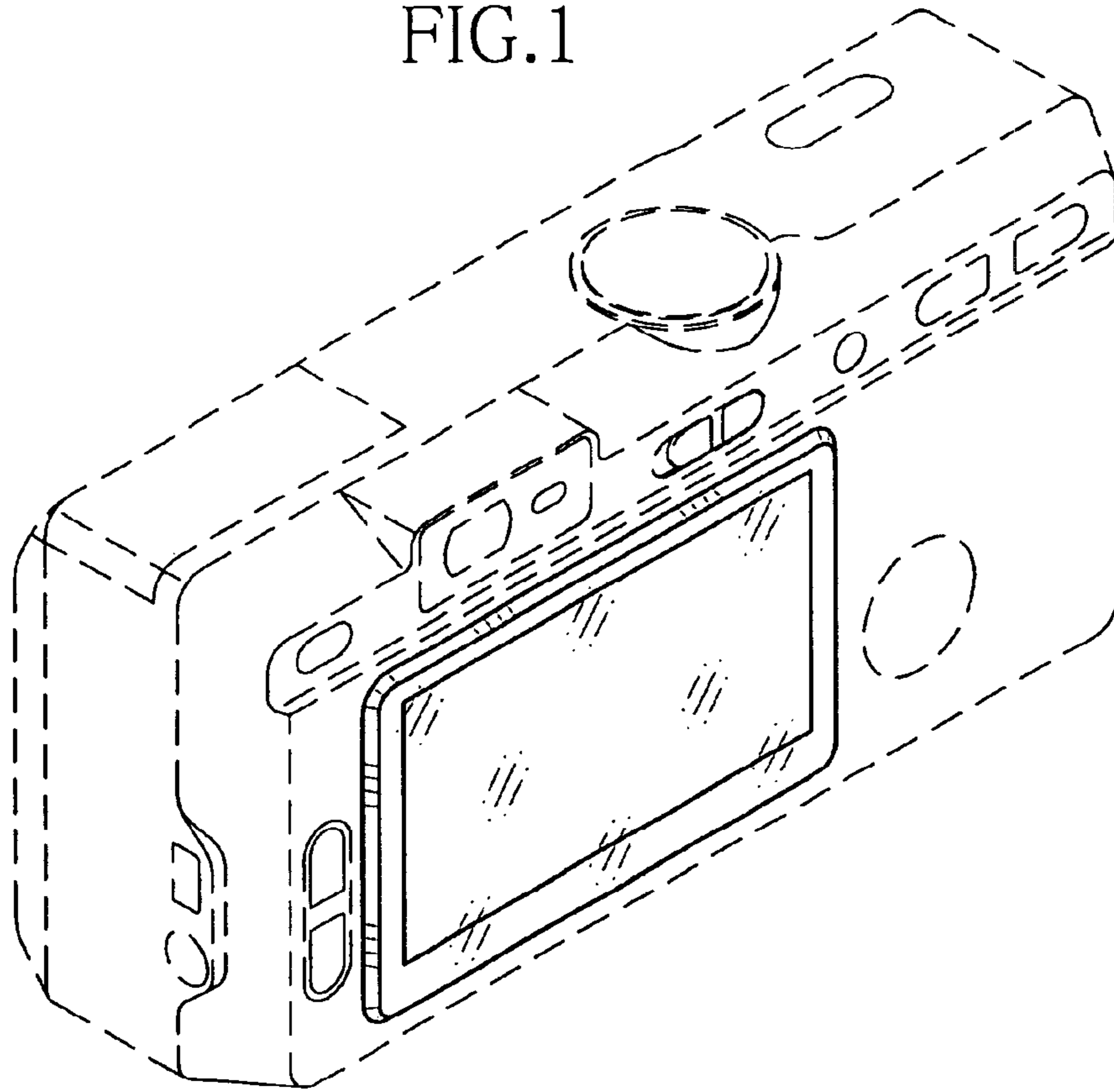


FIG.2

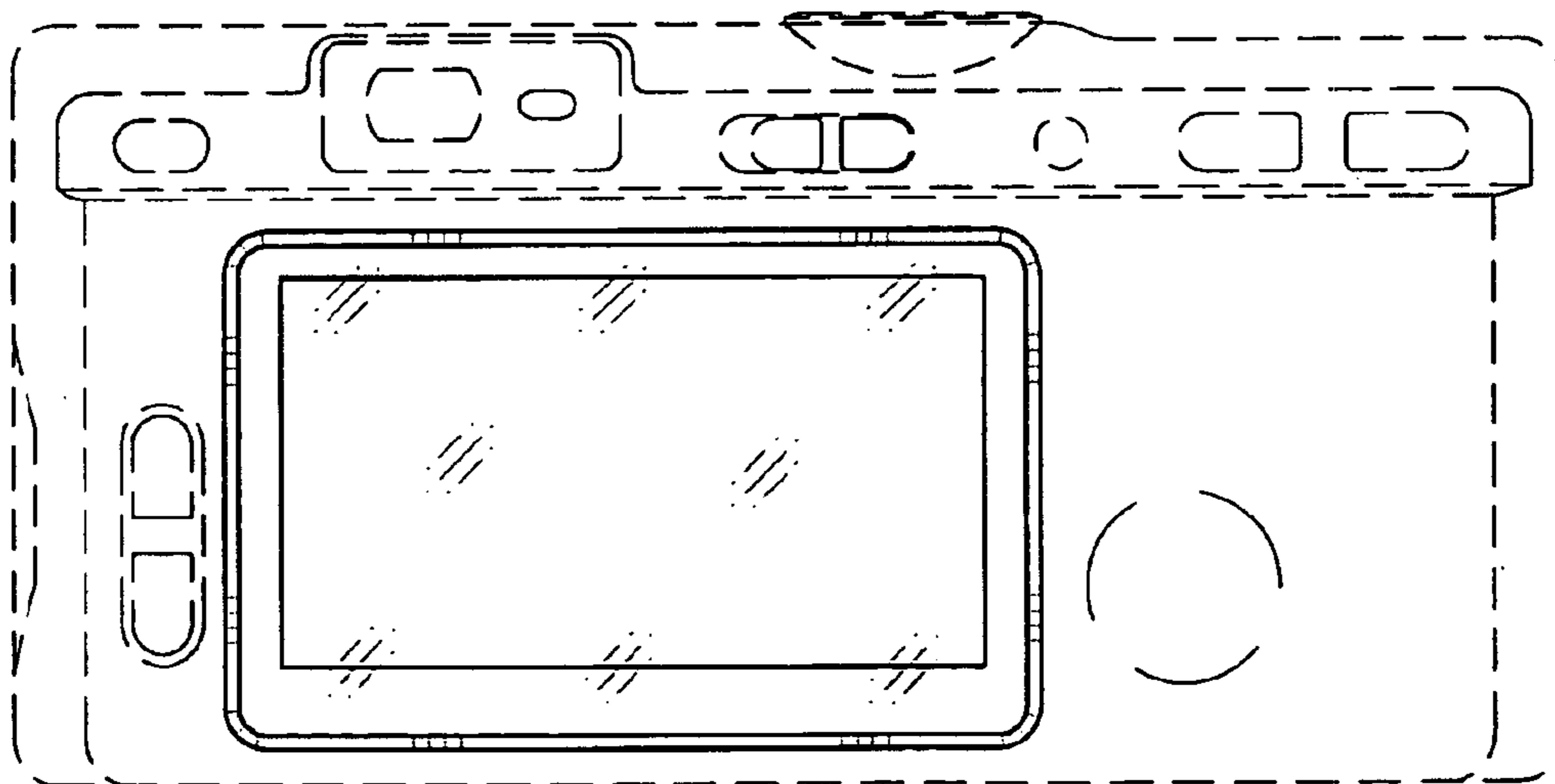


FIG.3

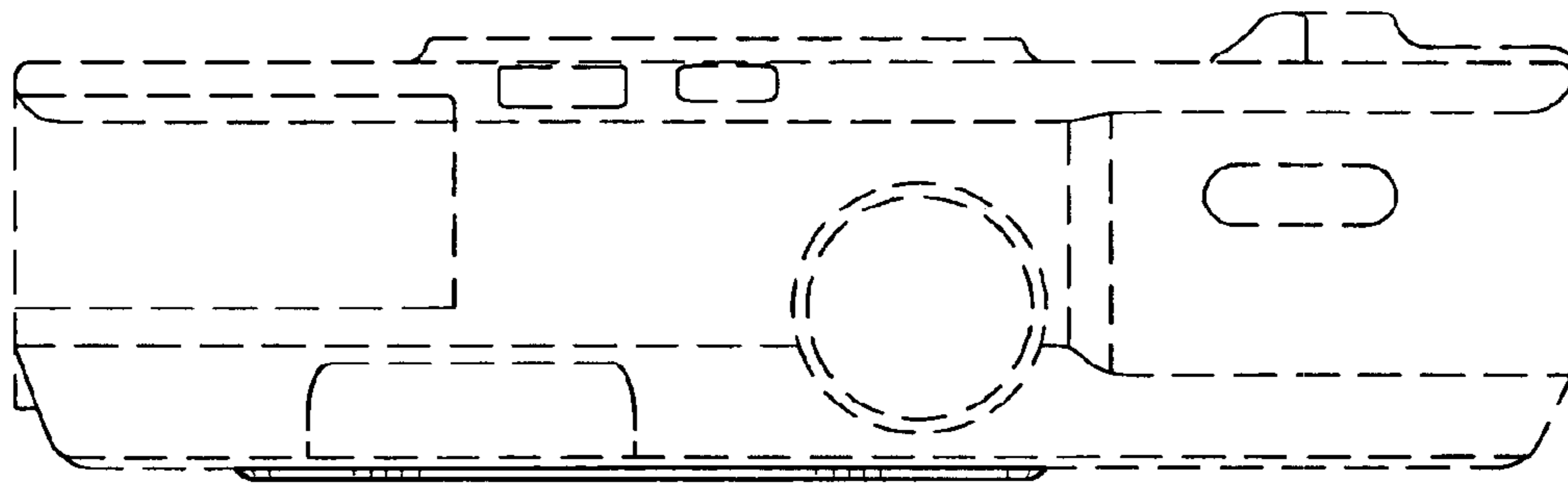


FIG.4

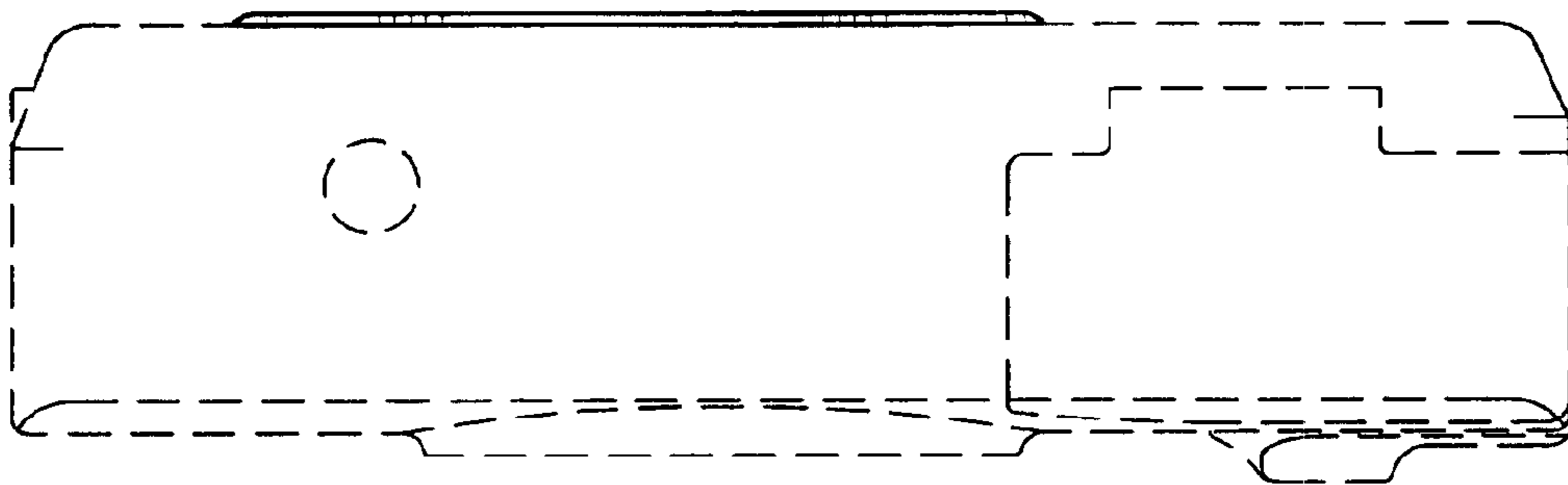


FIG.5

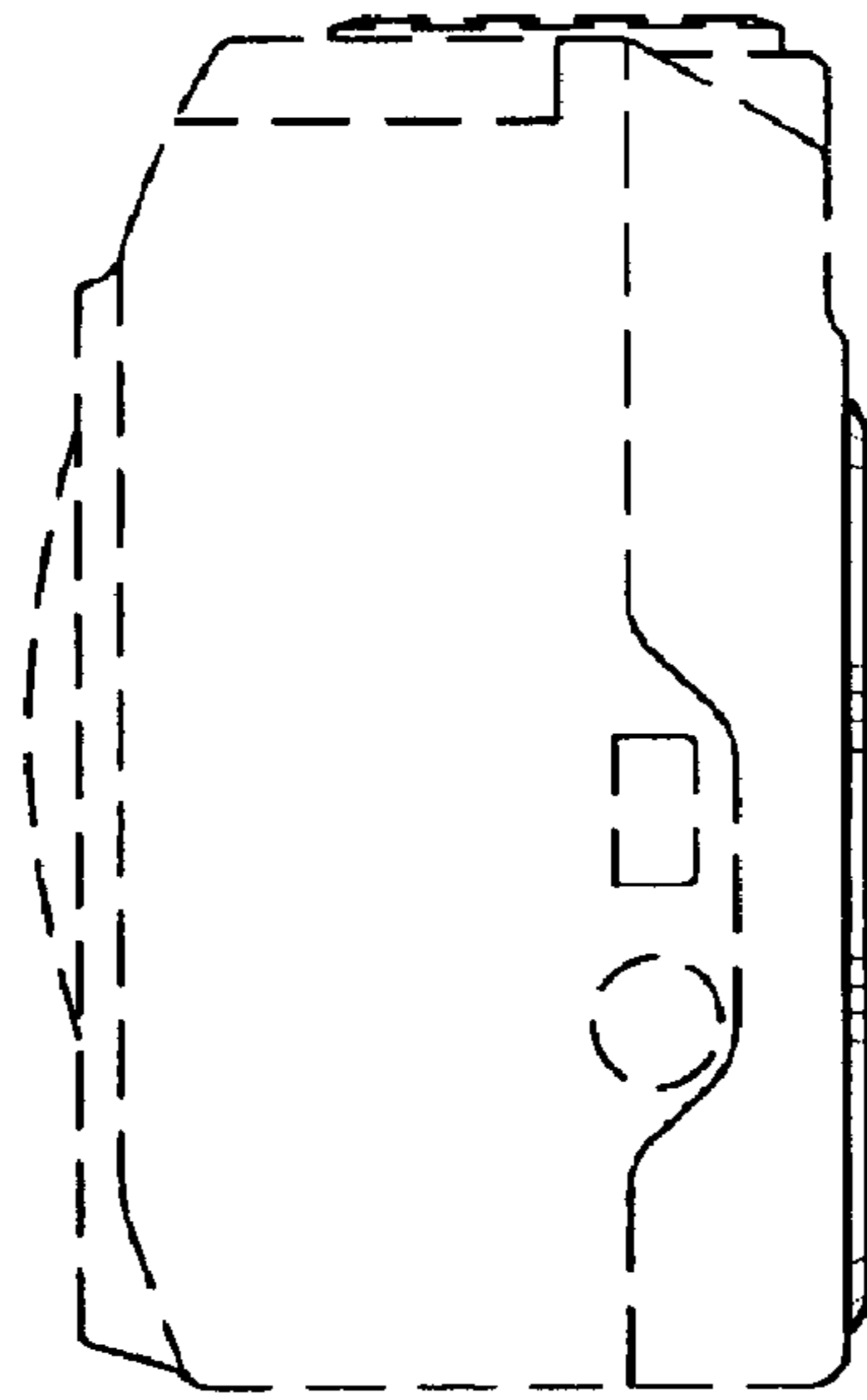


FIG.6

