

US00D504451S

(12) **United States Design Patent** (10) **Patent No.:** **US D504,451 S**
Hamamura (45) **Date of Patent:** **** Apr. 26, 2005**

(54) **DIGITAL CAMERA**

(75) Inventor: **Toshihiro Hamamura**, Tokyo (JP)

(73) Assignee: **PENTAX Corporation**, Tokyo (JP)

(**) Term: **14 Years**

(21) Appl. No.: **29/196,982**

(22) Filed: **Jan. 9, 2004**

(30) **Foreign Application Priority Data**

Jul. 11, 2003 (JP) 2003-020148
 Jul. 11, 2003 (JP) 2003-020174

(51) **LOC (7) Cl.** **16-01**

(52) **U.S. Cl.** **D16/202; D16/218**

(58) **Field of Search** **D16/200–204, D16/208, 209, 212, 218; 348/373–376; 358/909.1; 396/535–541**

(56) **References Cited**

U.S. PATENT DOCUMENTS

D385,289 S * 10/1997 Tsui D16/218
 D428,905 S * 8/2000 Hatakeyama D16/212
 D457,903 S * 5/2002 Nasu D16/202
 D458,291 S * 6/2002 Chou et al. D16/202
 D494,200 S * 8/2004 Hayamizu D16/202

* cited by examiner

Primary Examiner—Adir Aronovich

(74) *Attorney, Agent, or Firm*—Sughrue Mion, PLLC

(57) **CLAIM**

The ornamental design for a digital camera, as shown and described.

DESCRIPTION

FIG. 1 is a perspective view of the top, front and left side of a digital camera according to a first embodiment showing my new design;

FIG. 2 is a front elevational view thereof;

FIG. 3 is a rear elevational view thereof;

FIG. 4 is a left side elevational view thereof;

FIG. 5 is a right side elevational view thereof;

FIG. 6 is a top plan view thereof;

FIG. 7 is a bottom plan view thereof;

FIG. 8 is a perspective view similar to FIG. 1 with the lens extended;

FIG. 9 is a perspective view of the top, front and left side according to a second embodiment;

FIG. 10 is a front elevational view thereof;

FIG. 11 is a rear elevational view thereof;

FIG. 12 is a left side elevational view thereof;

FIG. 13 is a right side elevational view thereof;

FIG. 14 is a top plan view thereof;

FIG. 15 is a bottom plan view thereof; and,

FIG. 16 is a perspective view similar to FIG. 9 with the lens extended.

The elements shown in broken lines are for illustrative purposes only and form no part of the claimed design.

1 Claim, 12 Drawing Sheets

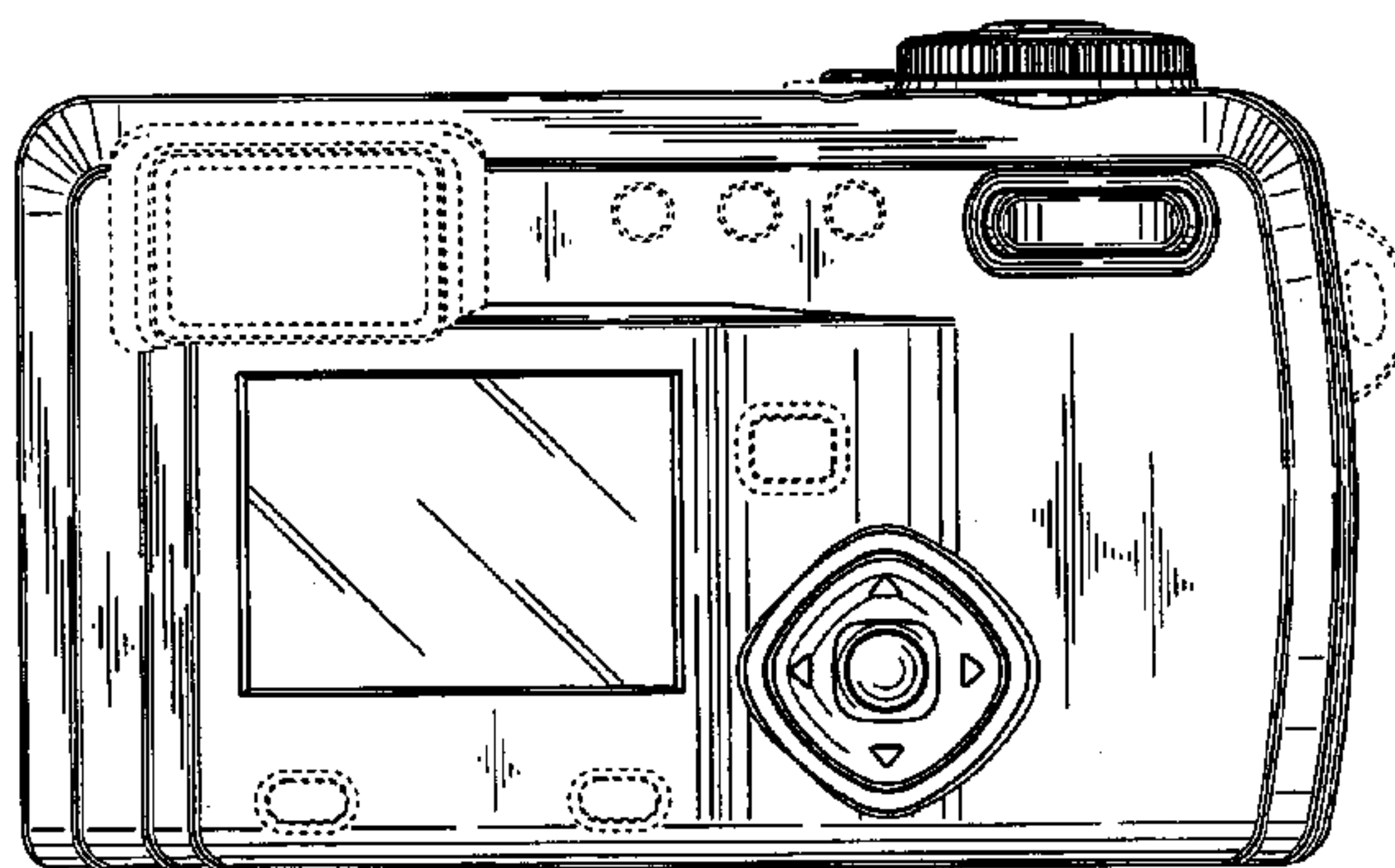
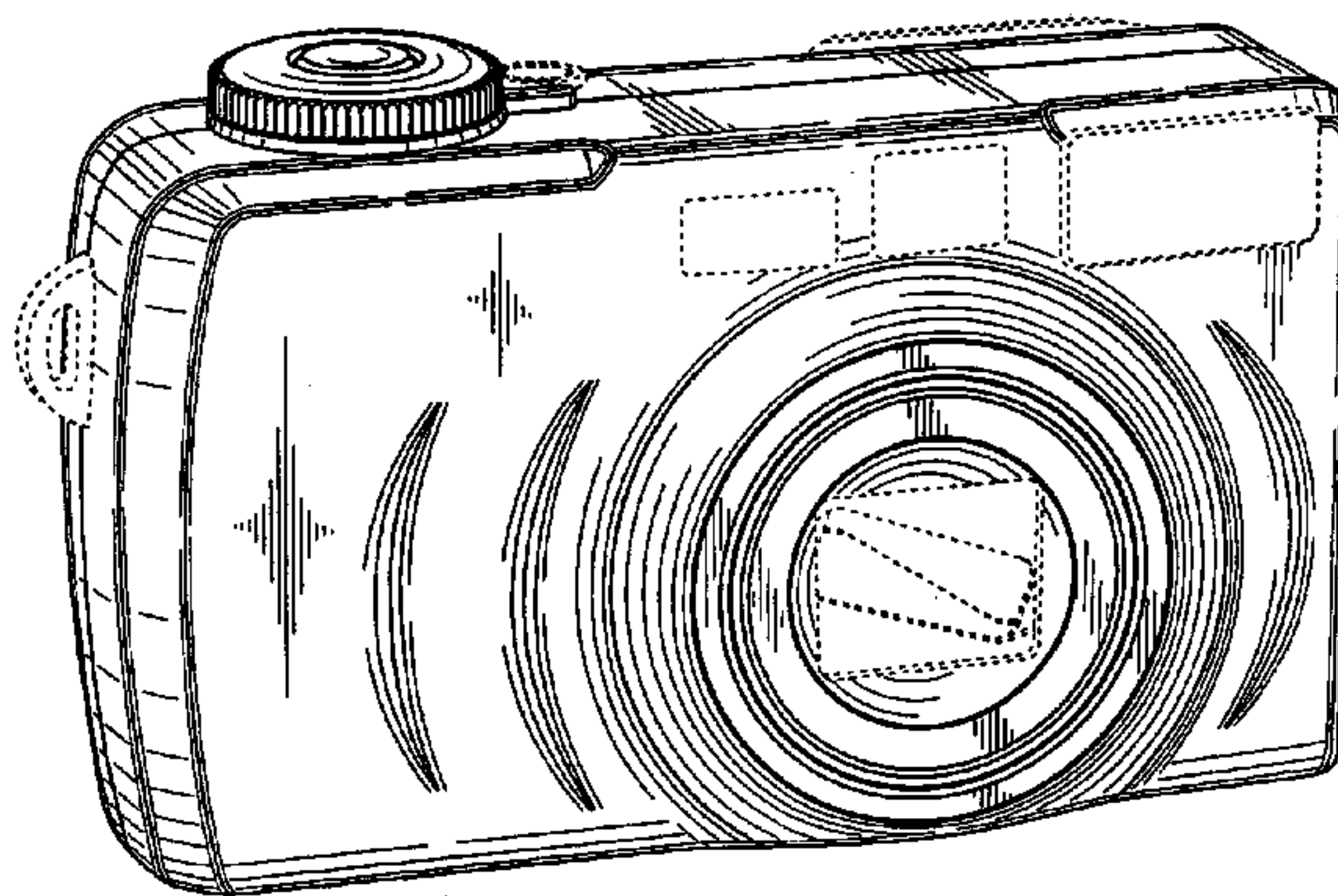


FIG. 1

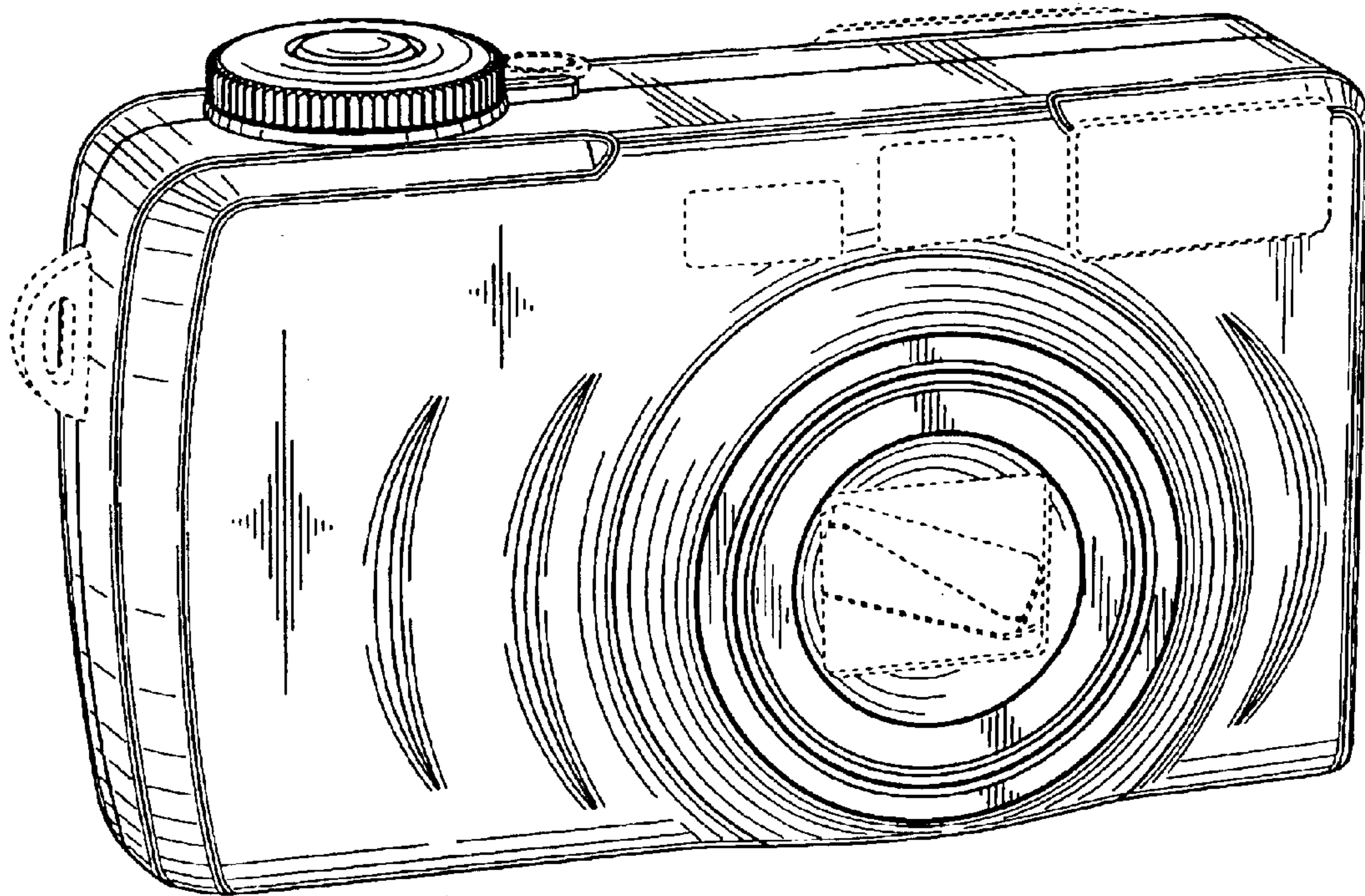


FIG. 2

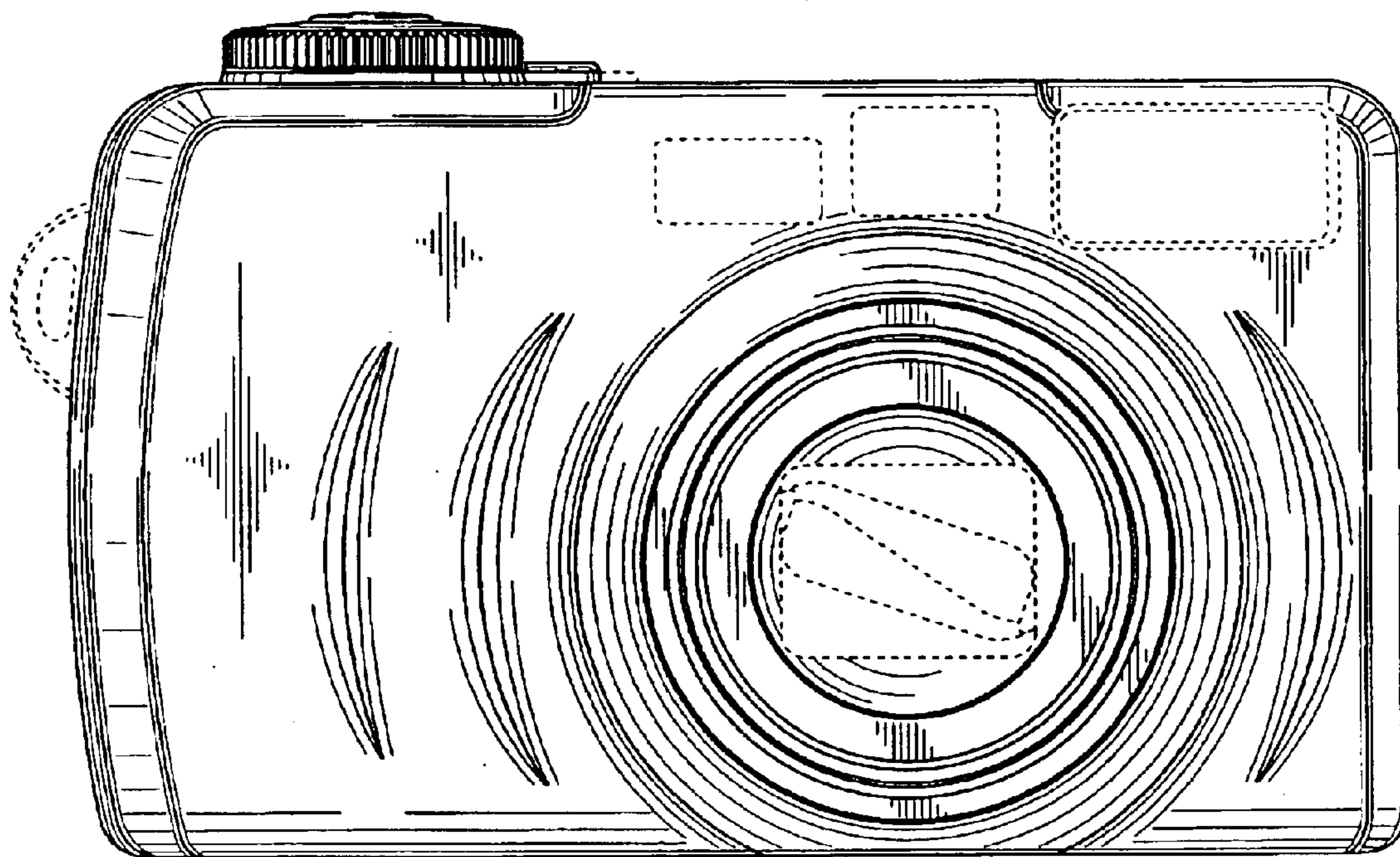


FIG. 3

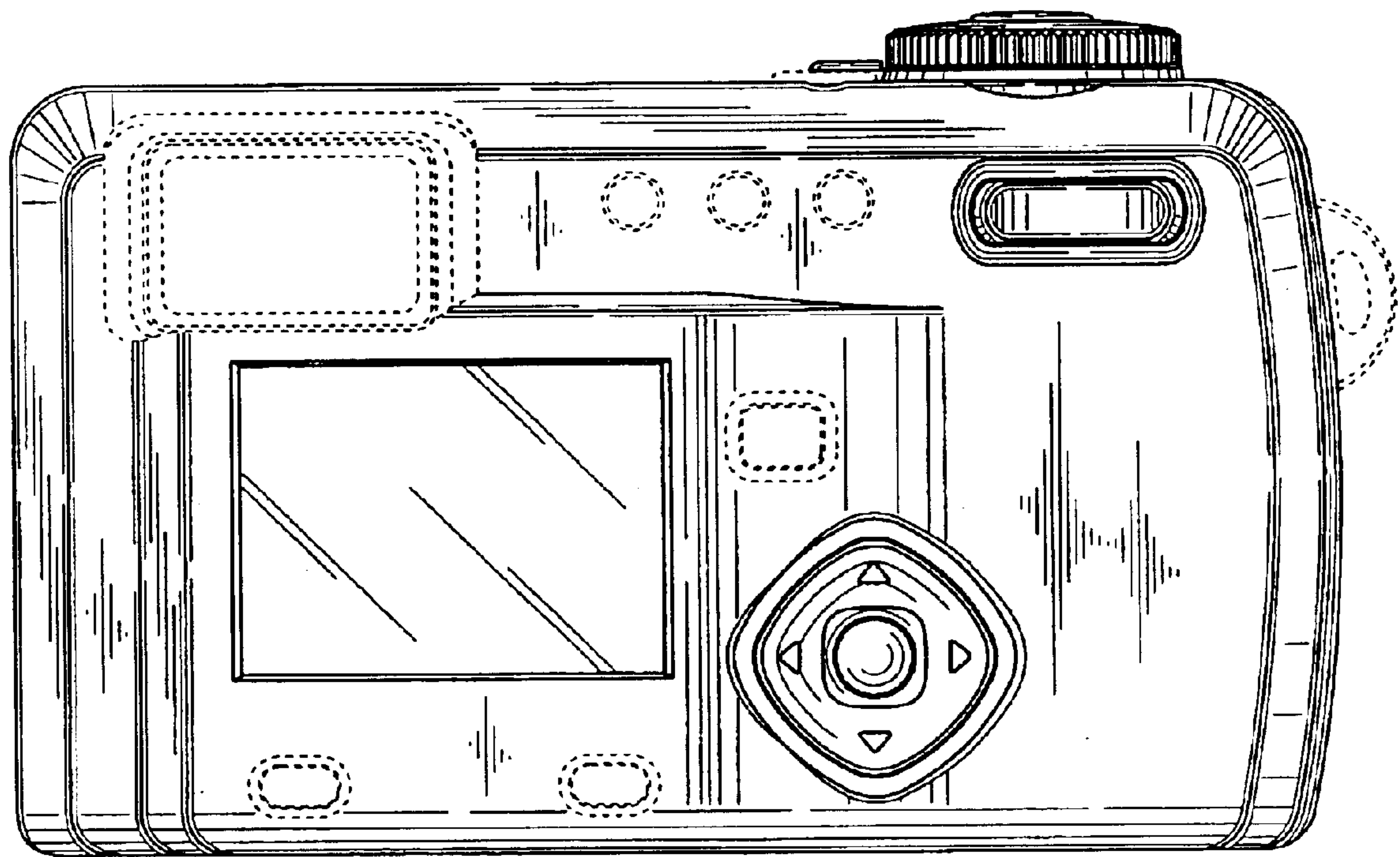


FIG. 4

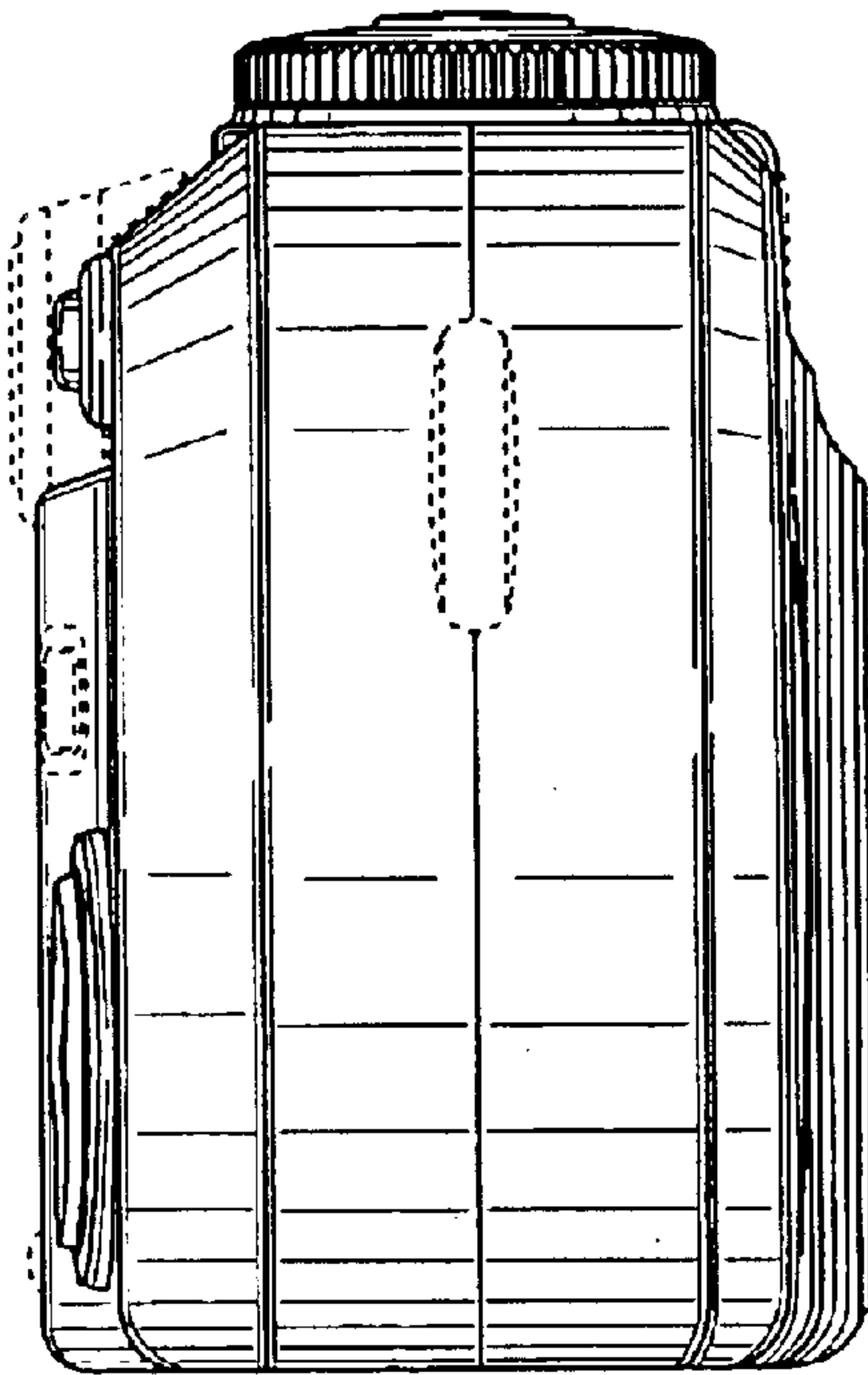


FIG. 5



FIG. 6

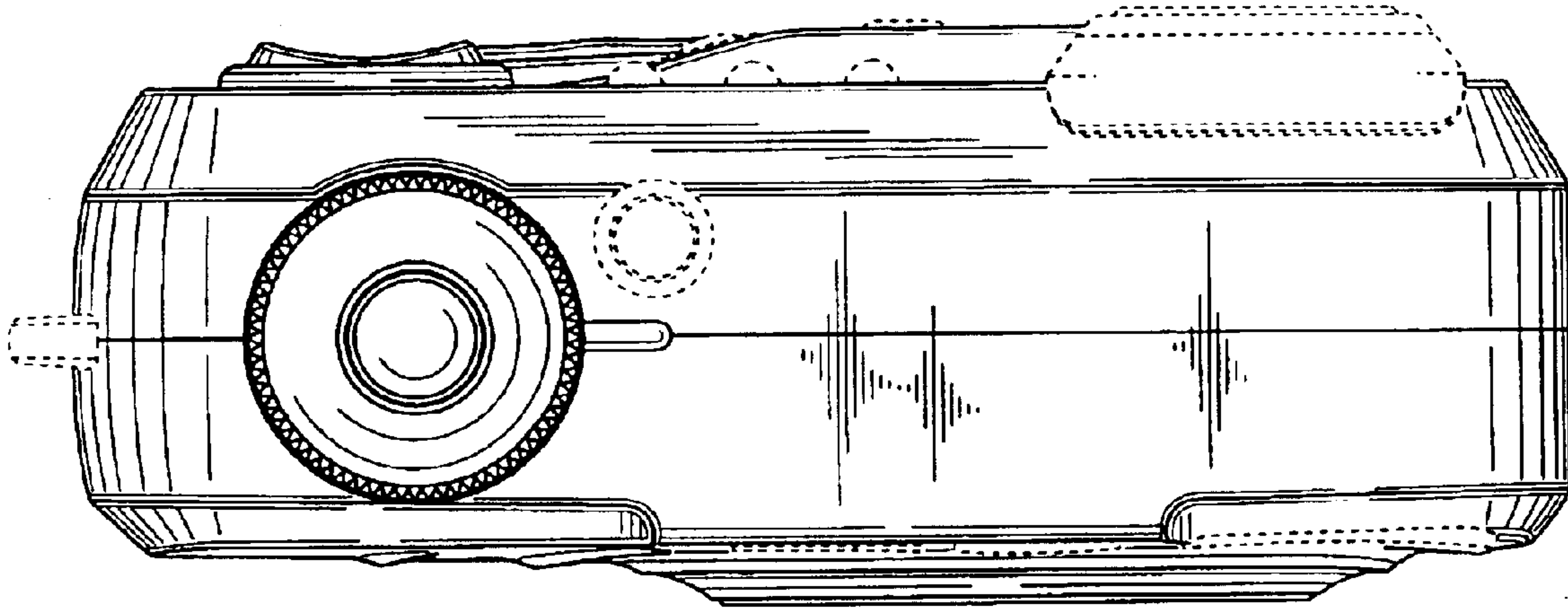


FIG. 7

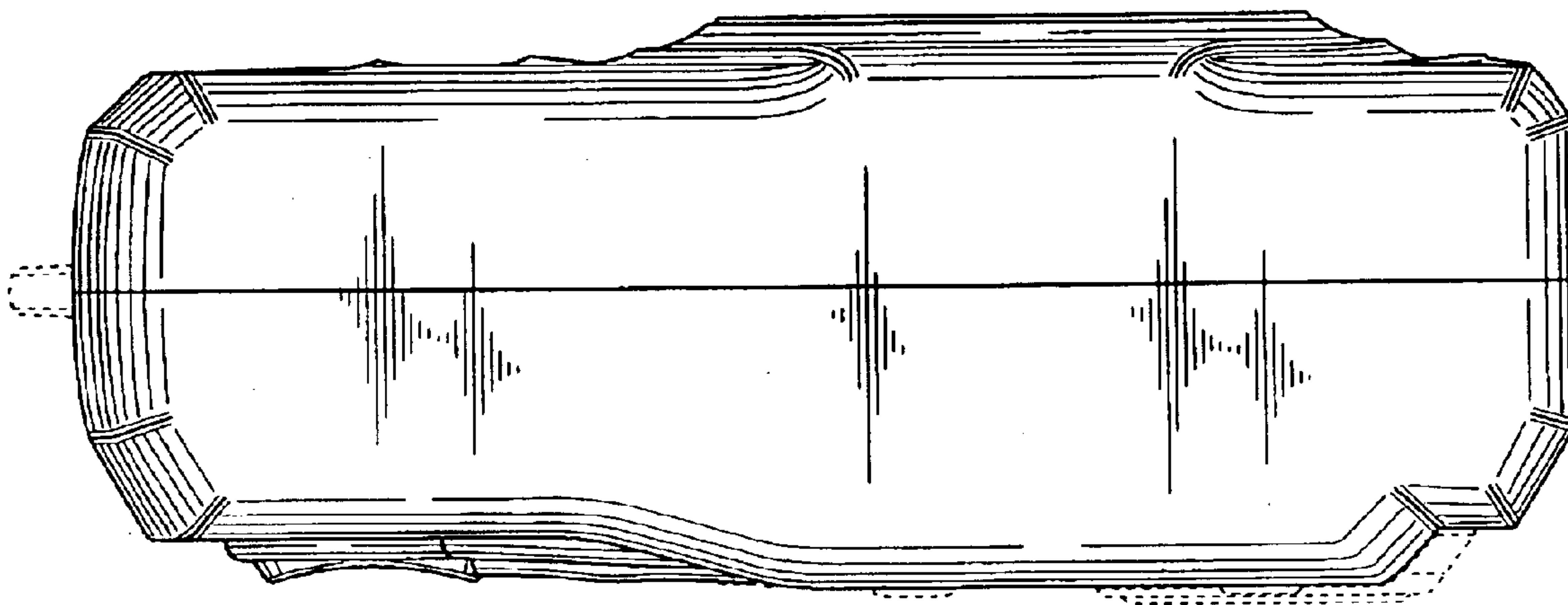


FIG. 8

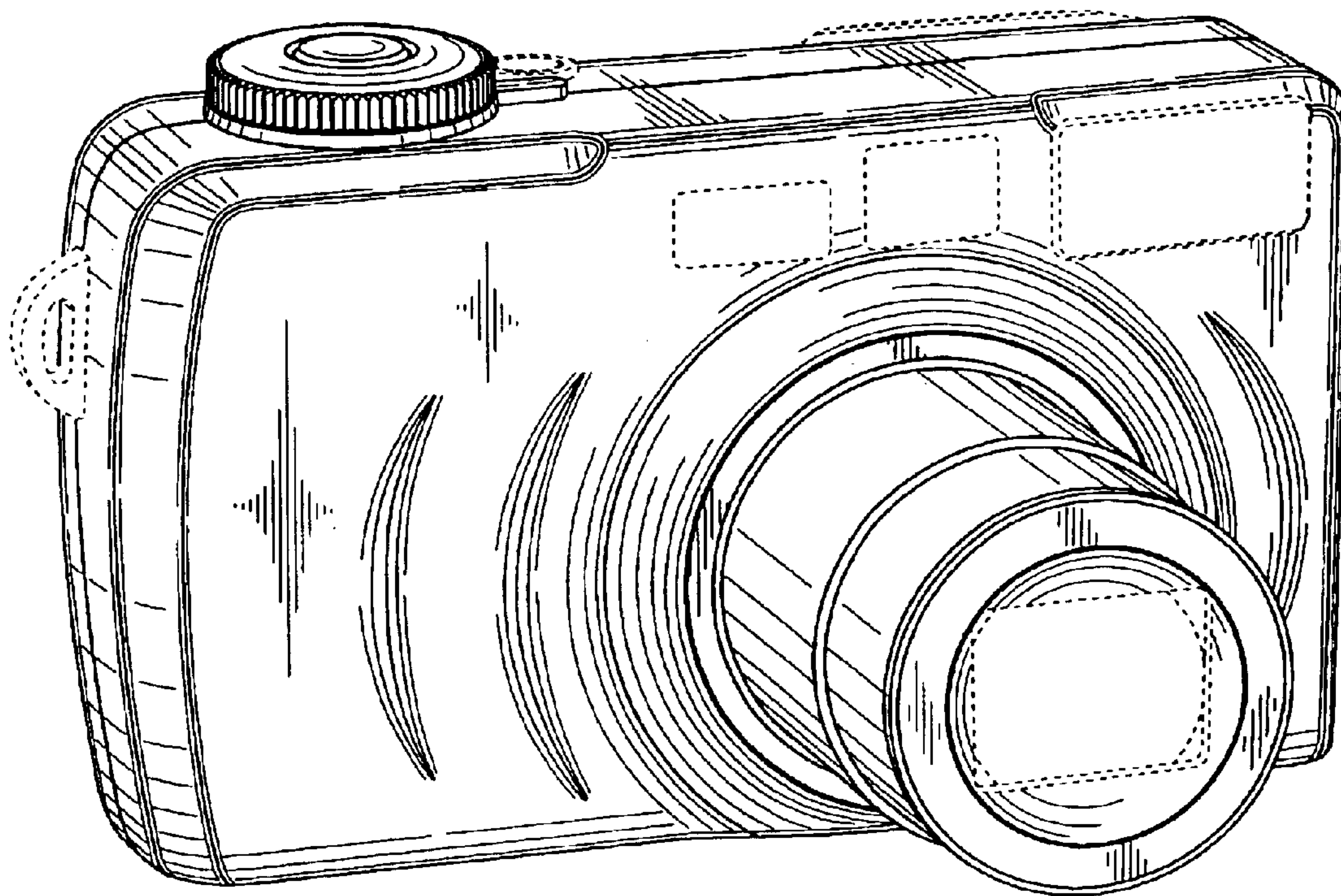


FIG. 9

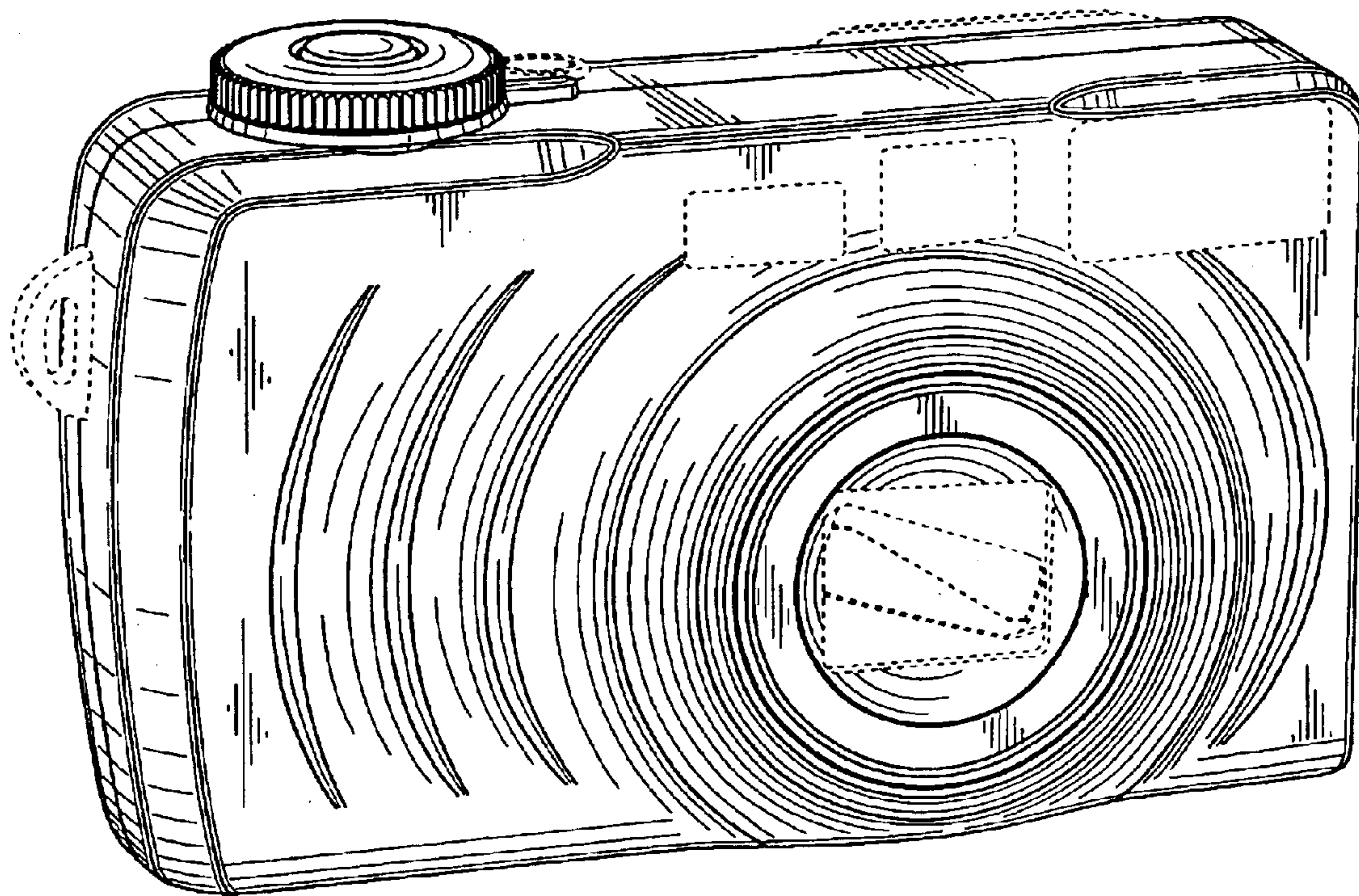


FIG. 10

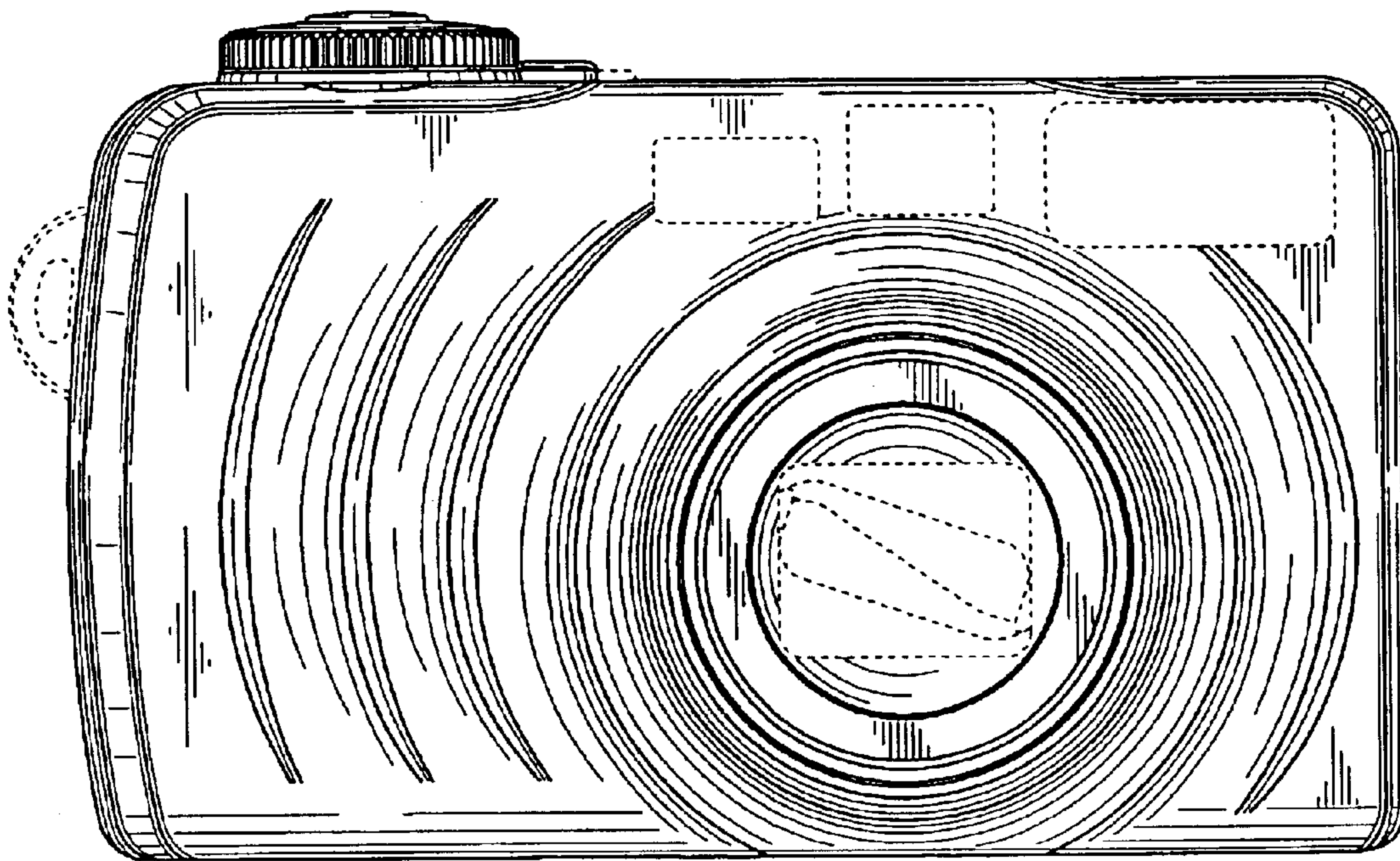


FIG. 11

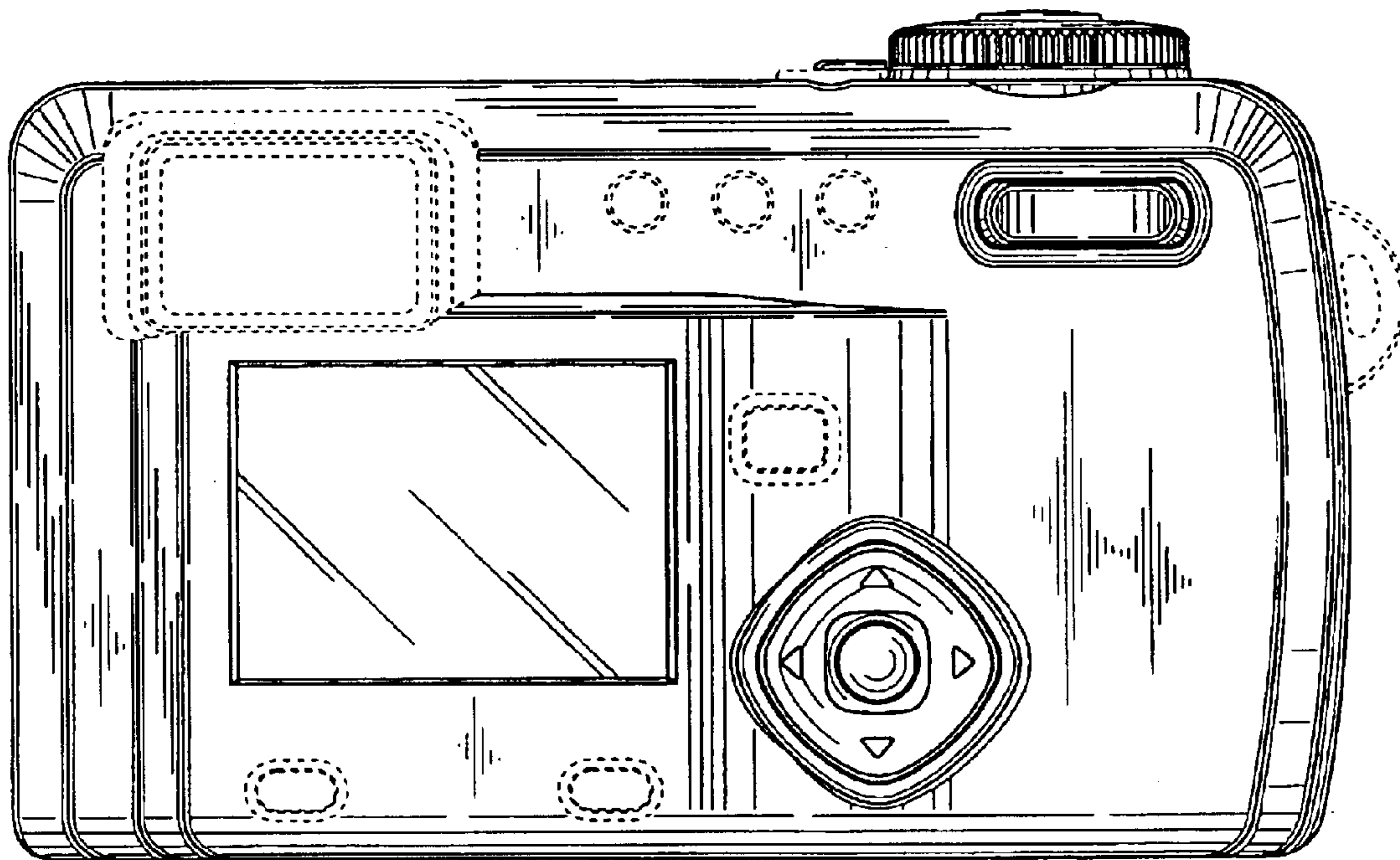


FIG. 12

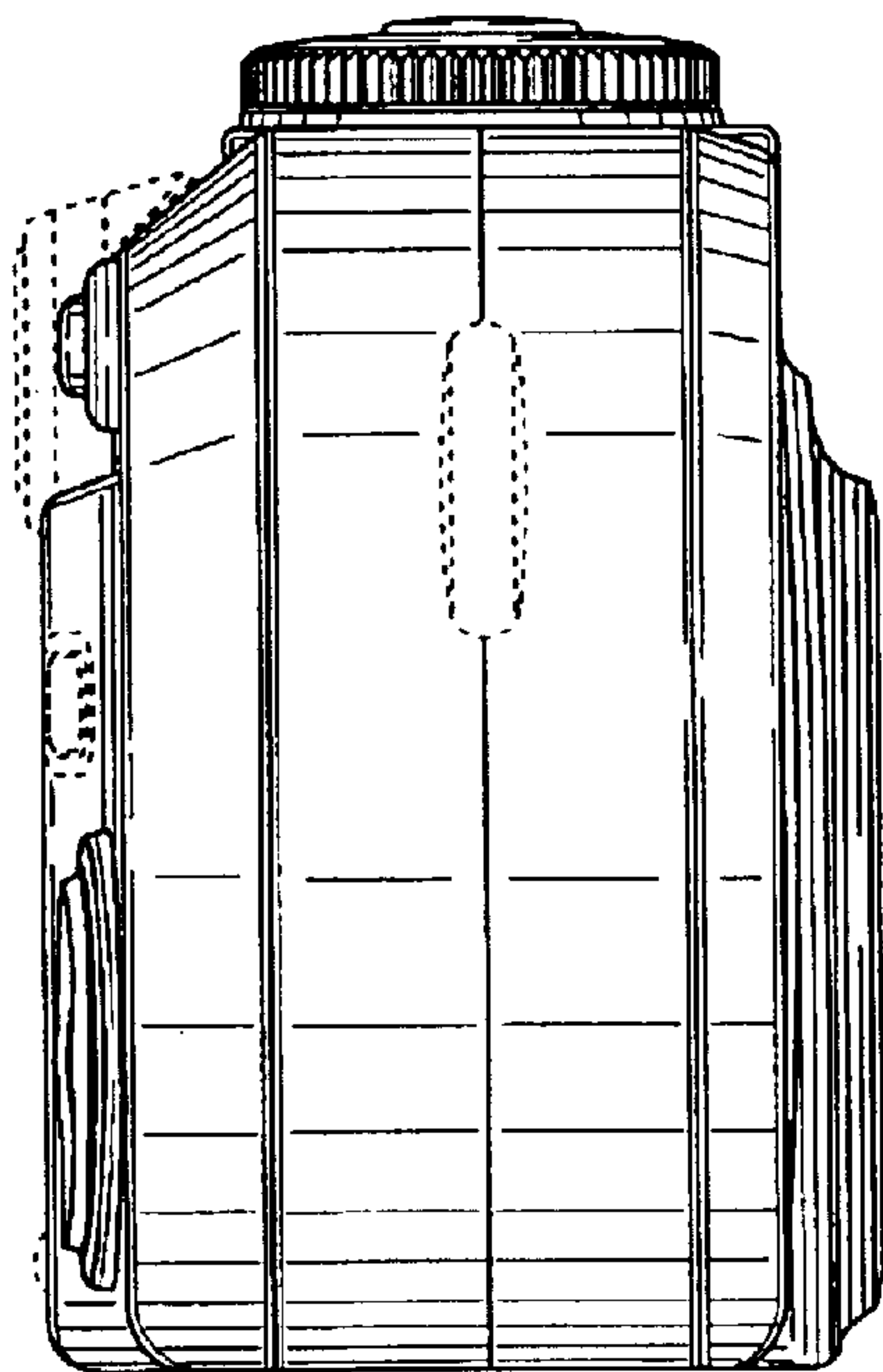


FIG. 13

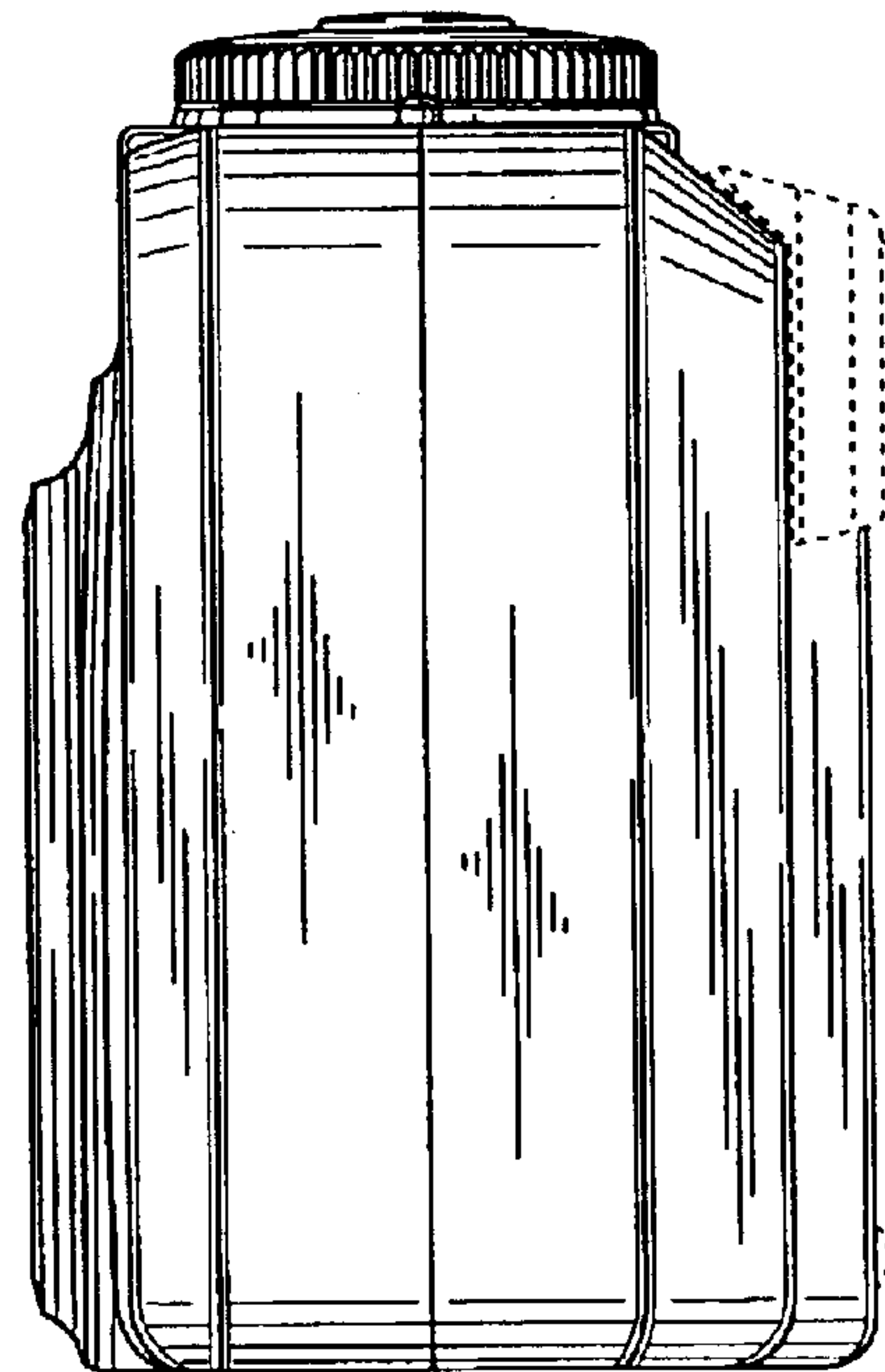


FIG. 14

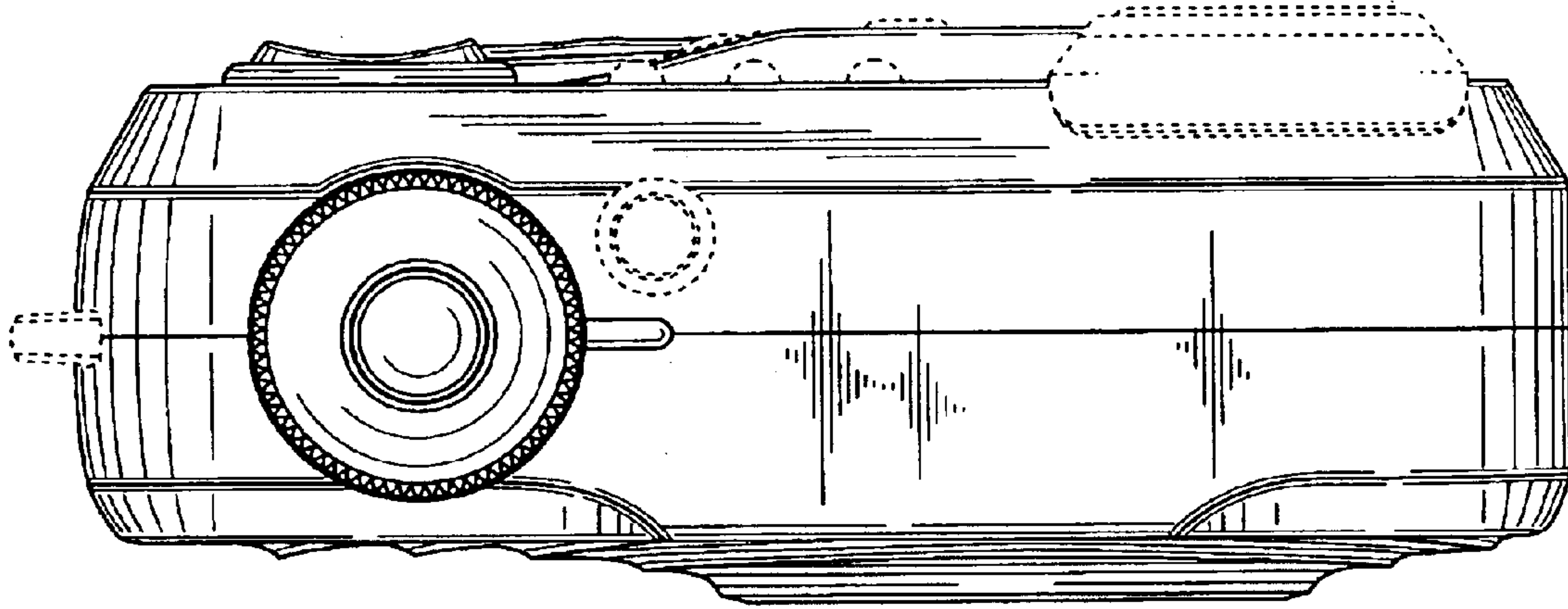


FIG. 15

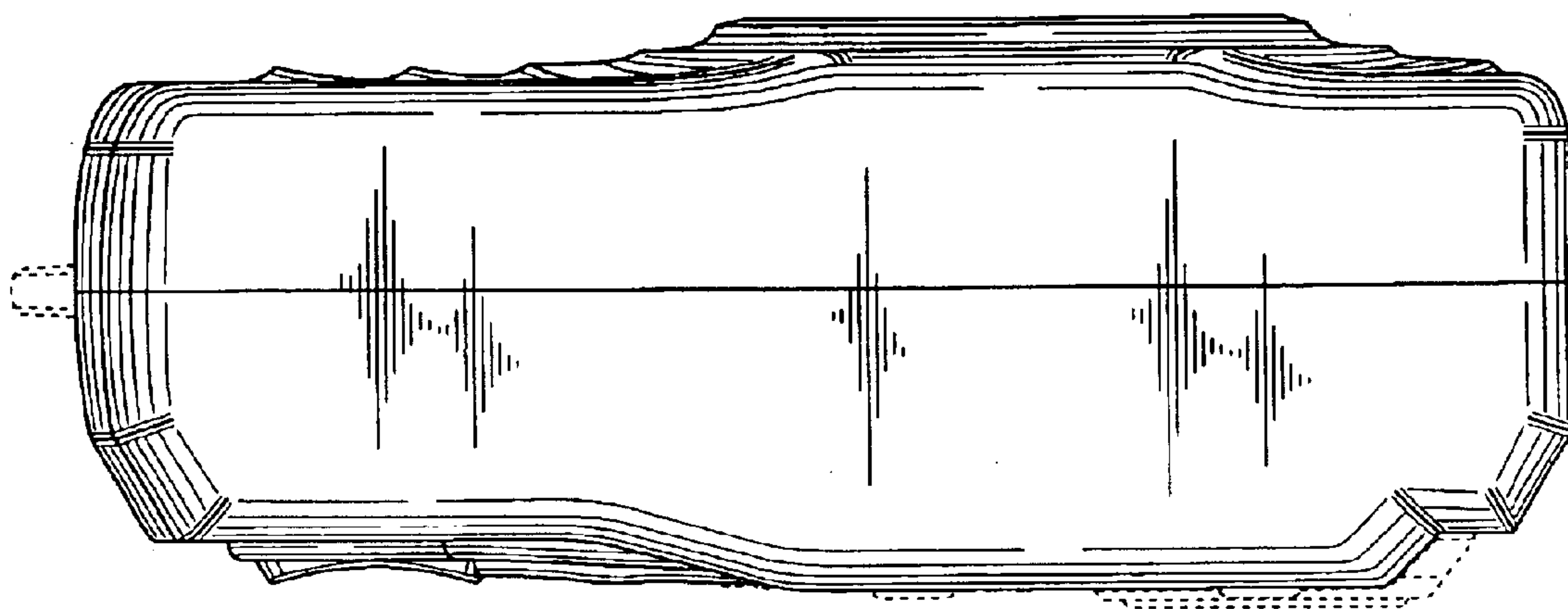


FIG. 16

