

US00D504450S

(12) **United States Design Patent**  
**Loewenthal**

(10) **Patent No.:** **US D504,450 S**  
(45) **Date of Patent:** **\*\* Apr. 26, 2005**

(54) **GEARBOX HOUSING**

(75) Inventor: **Howard Loewenthal**, Hinckley, OH  
(US)

(73) Assignee: **Invacare Corporation**, Elyria, OH  
(US)

(\*\*) Term: **14 Years**

(21) Appl. No.: **29/192,674**

(22) Filed: **Oct. 27, 2003**

(51) **LOC (7) Cl.** ..... **15-99**

(52) **U.S. Cl.** ..... **D15/199**

(58) **Field of Search** ..... D8/499; D15/199;  
D6/503; 5/11, 611

(56) **References Cited**

**U.S. PATENT DOCUMENTS**

2,522,759	A *	9/1950	Lindquist	.....	5/611
5,257,428	A *	11/1993	Carroll et al.	.....	5/611
6,000,077	A *	12/1999	Cyr	.....	5/611
6,516,479	B1 *	2/2003	Barbour	.....	5/611

**OTHER PUBLICATIONS**

Owner's Operator and Maintenance Manual; IVC Bed Series; Full Electric Beds; Semi-Electric Beds; Manual Beds; Part No. 1114836 Rev C; Invacare Corporation.

Invacare Home Care Beds and Bed-Related Products Manual, p. 1-2.

\* cited by examiner

*Primary Examiner*—Brian N Vinson

(74) *Attorney, Agent, or Firm*—Calfee, Halter & Griswold LLP

(57) **CLAIM**

The ornamental design for a gearbox housing, as shown and described.

**DESCRIPTION**

FIG. 1 is a perspective view of a gearbox housing showing the new design;

FIG. 2 is an enlarged perspective view of the gearbox housing of FIG. 1;

FIG. 3 is a front view of the gearbox housing of FIG. 1;

FIG. 4 is a back view of the gearbox housing of FIG. 1;

FIG. 5 is a bottom view of the gearbox housing of FIG. 1;

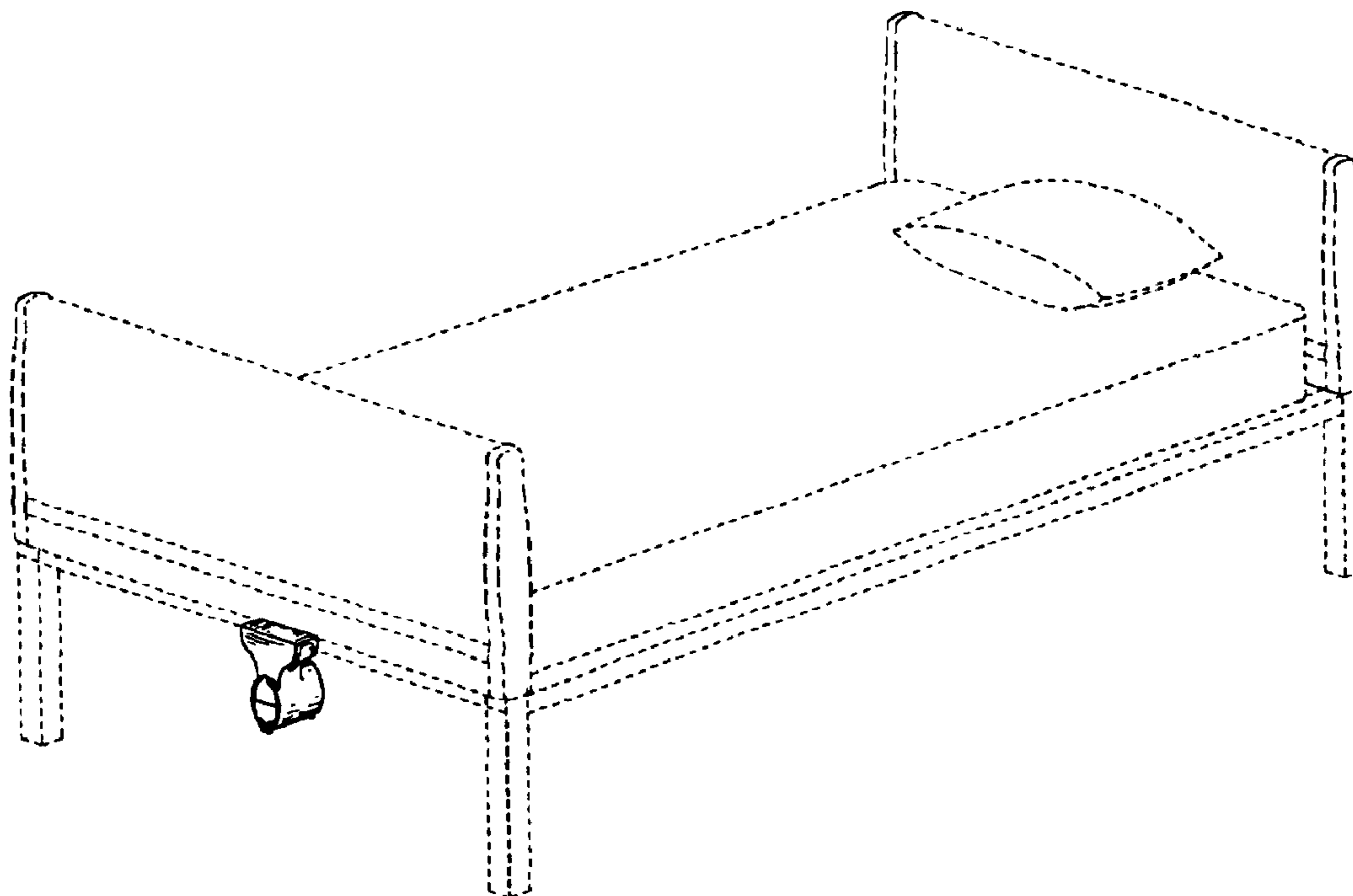
FIG. 6 is a top view of the gearbox housing of FIG. 1;

FIG. 7 is a left side view of the gearbox housing of FIG. 1; and,

FIG. 8 is a right side view of the gearbox housing of FIG. 1.

The portions of the Figures shown in phantom lines are not part of the claimed design but are for illustration only.

**1 Claim, 2 Drawing Sheets**



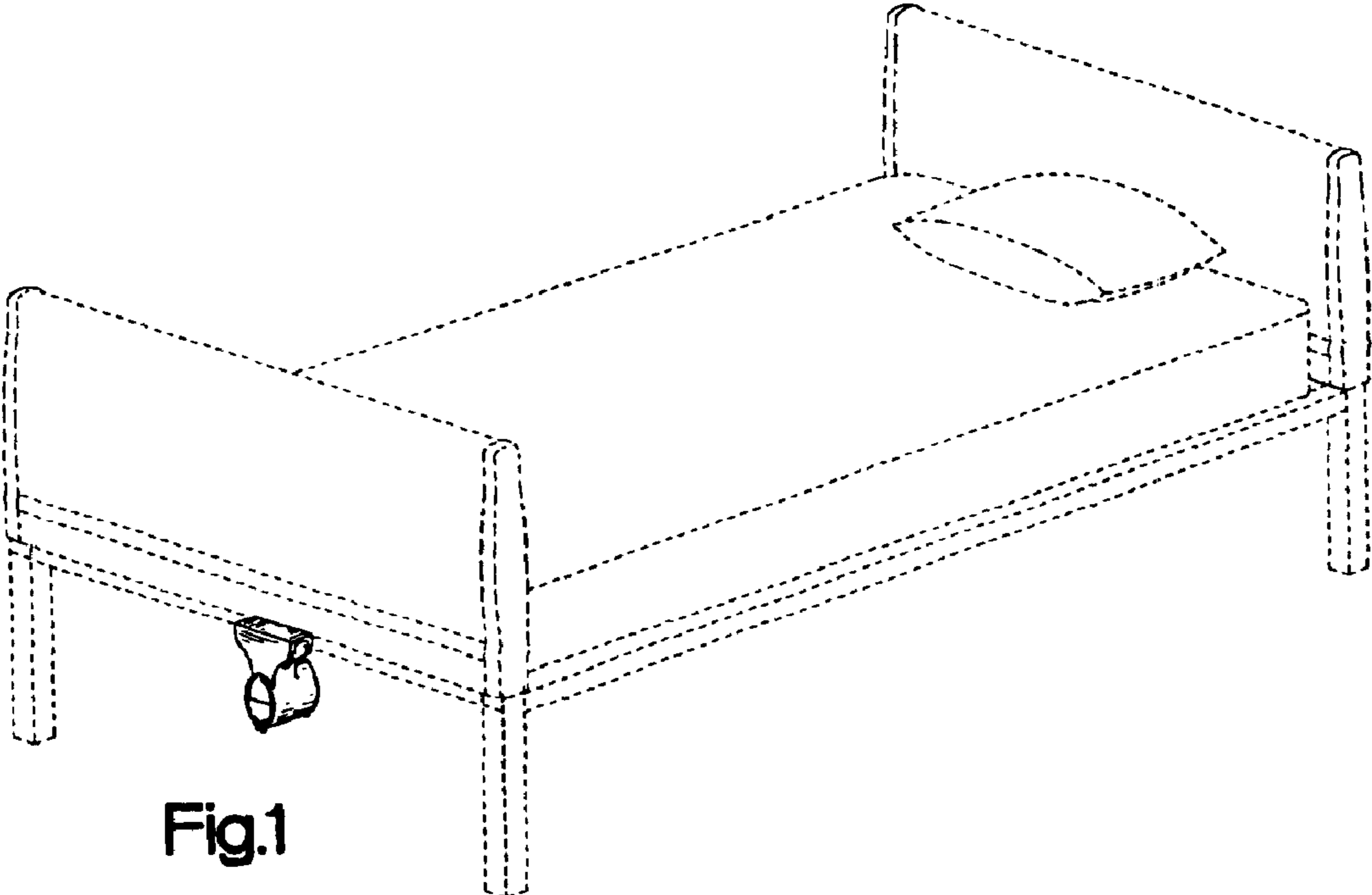


Fig.1

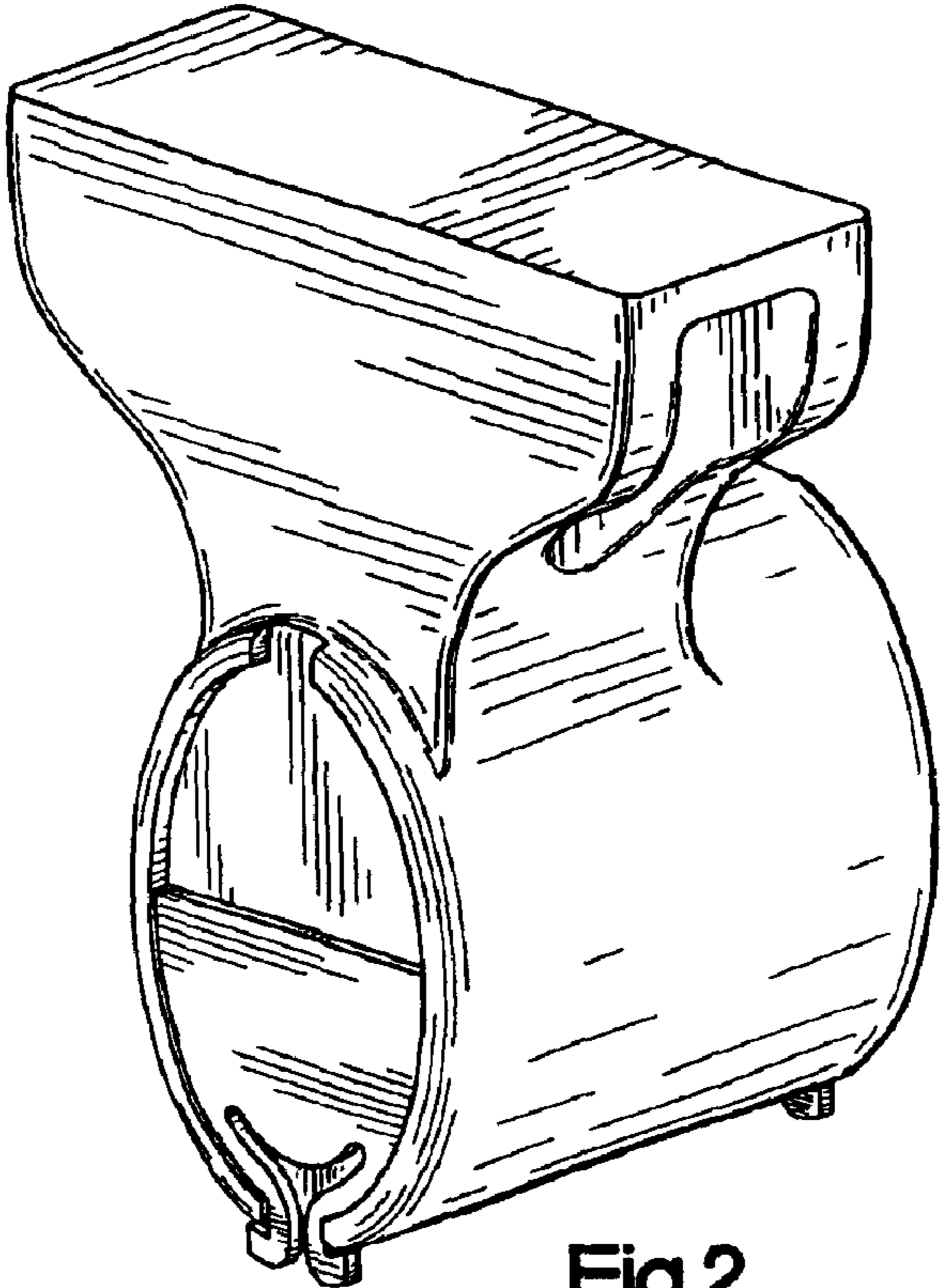


Fig.2

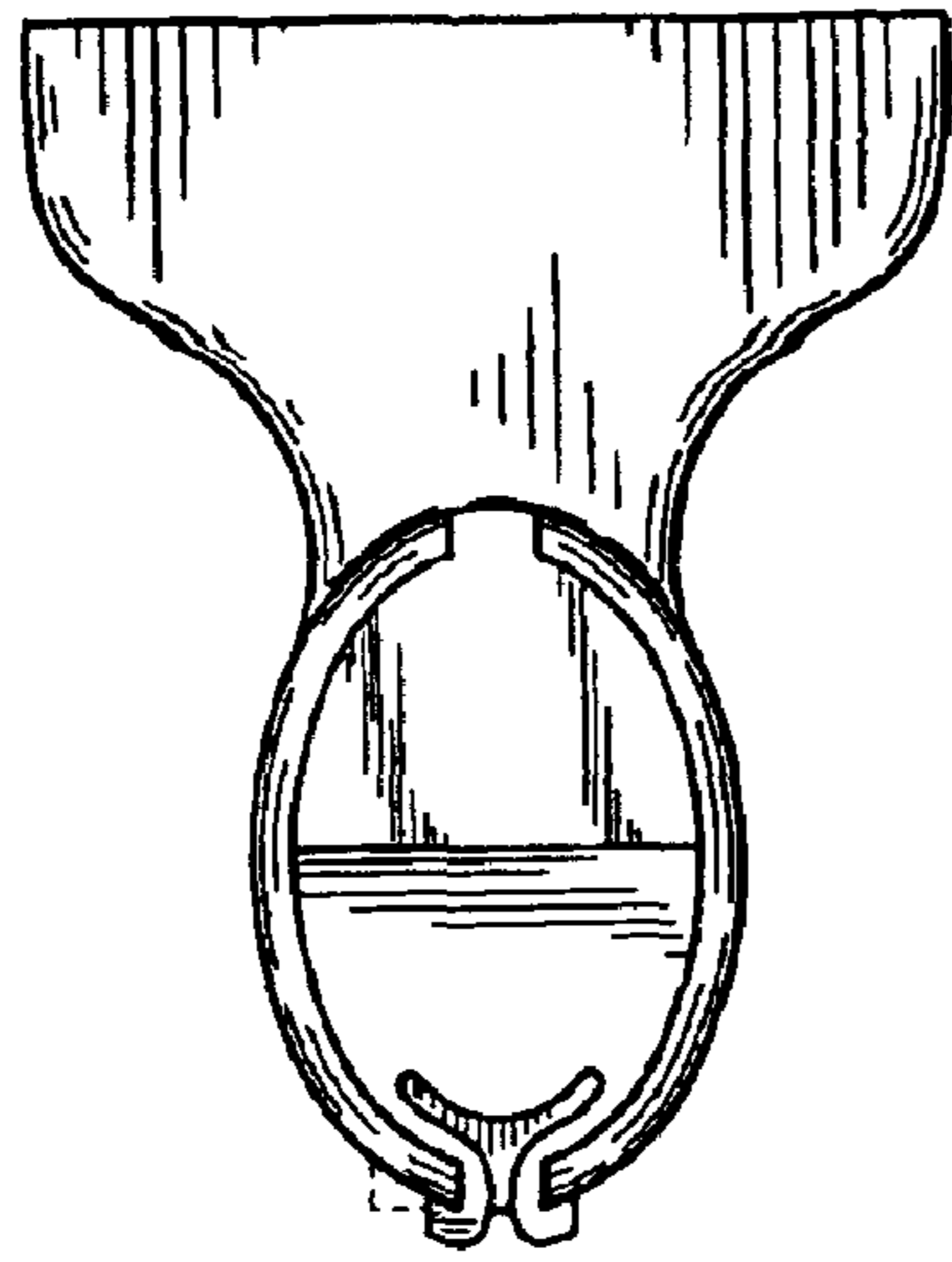


Fig.3

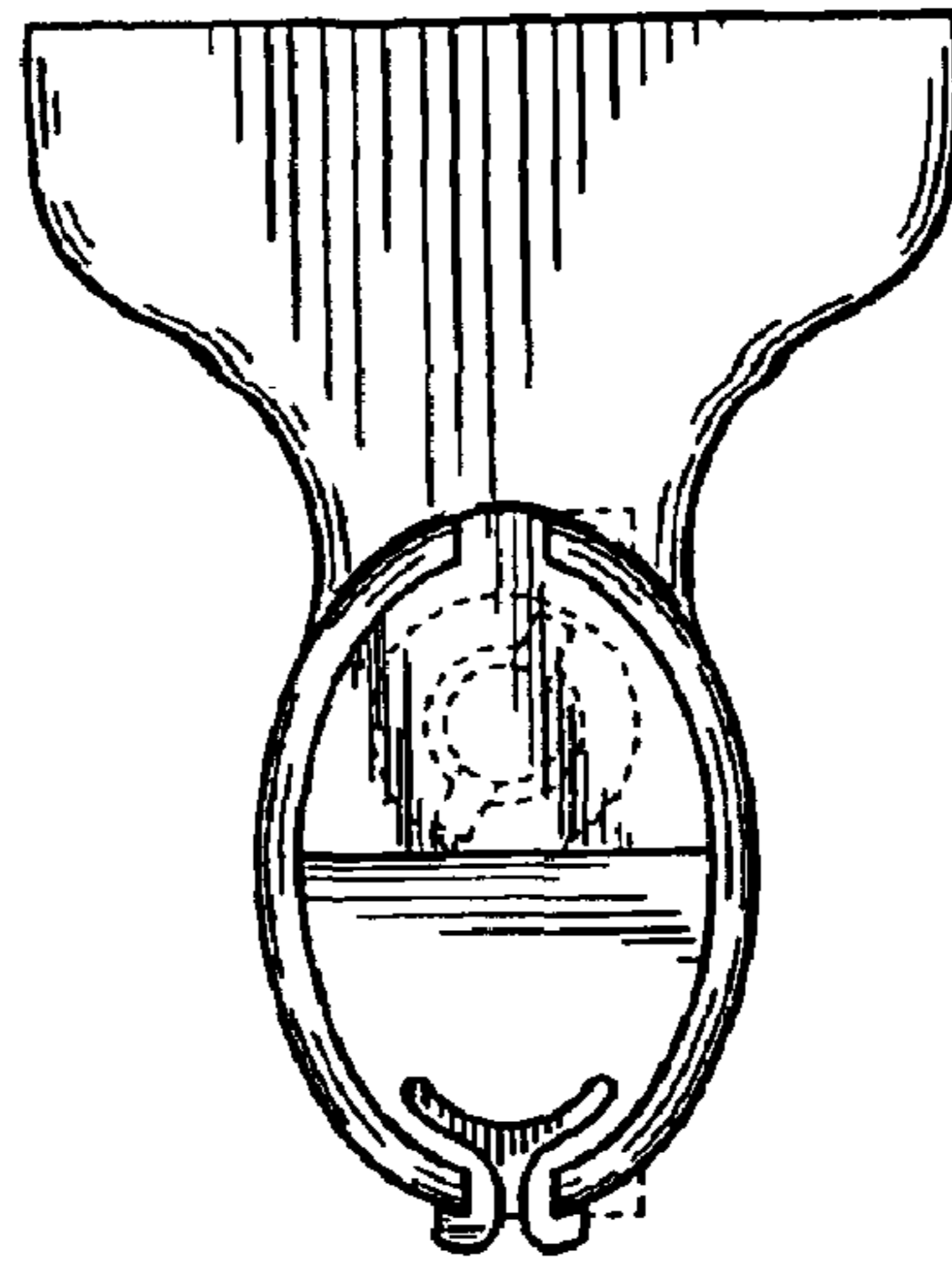


Fig.4

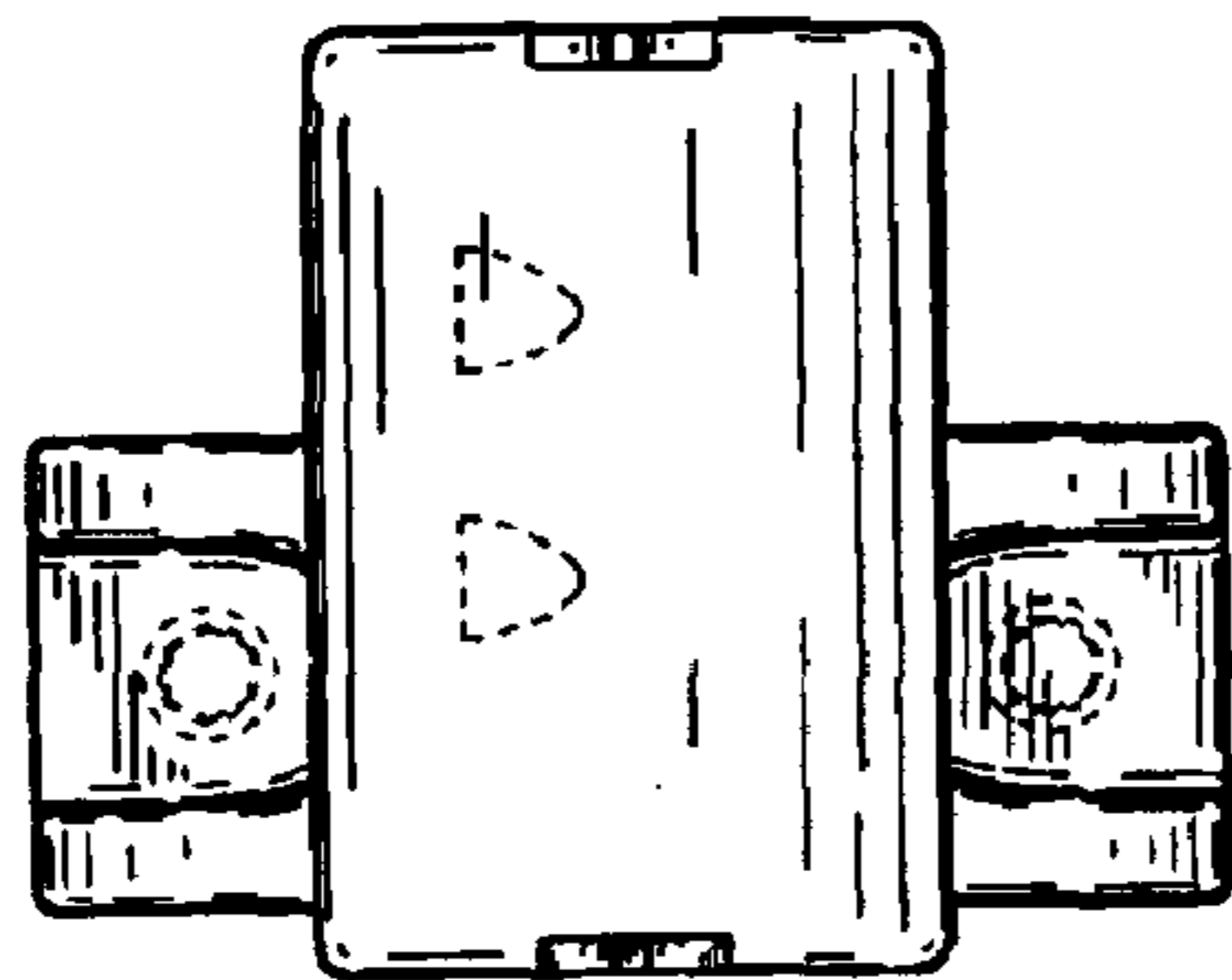


Fig.5

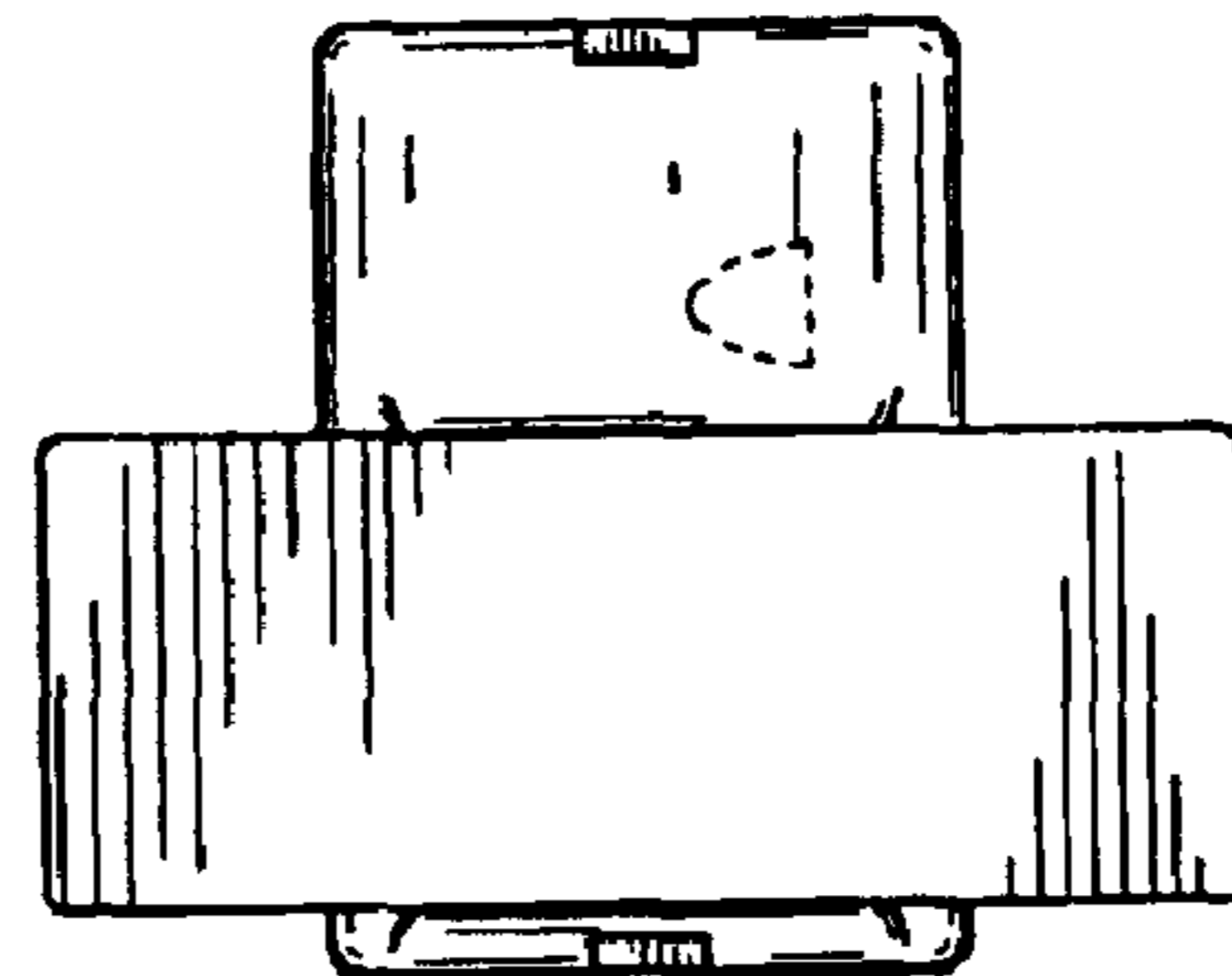


Fig.6

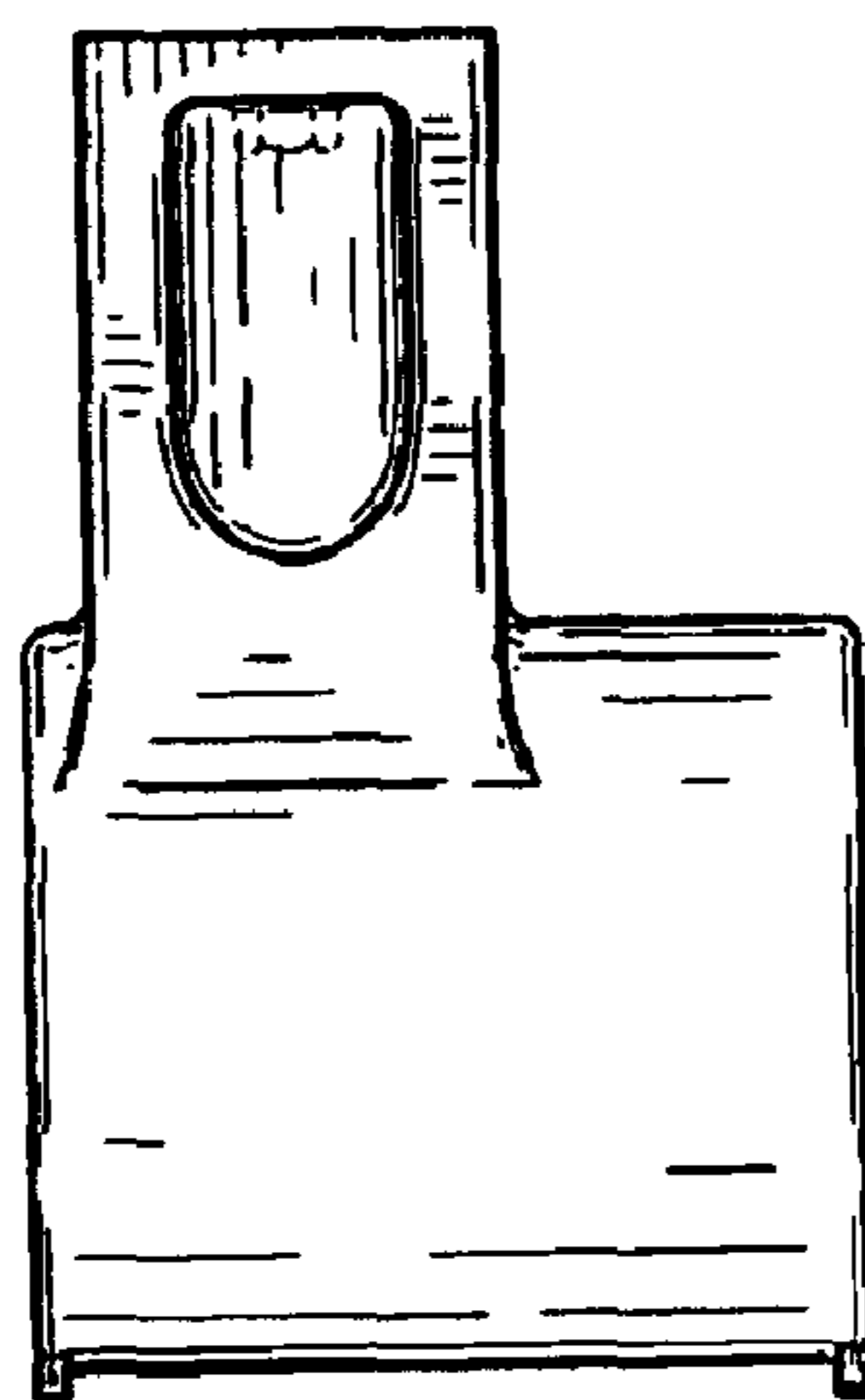


Fig.7

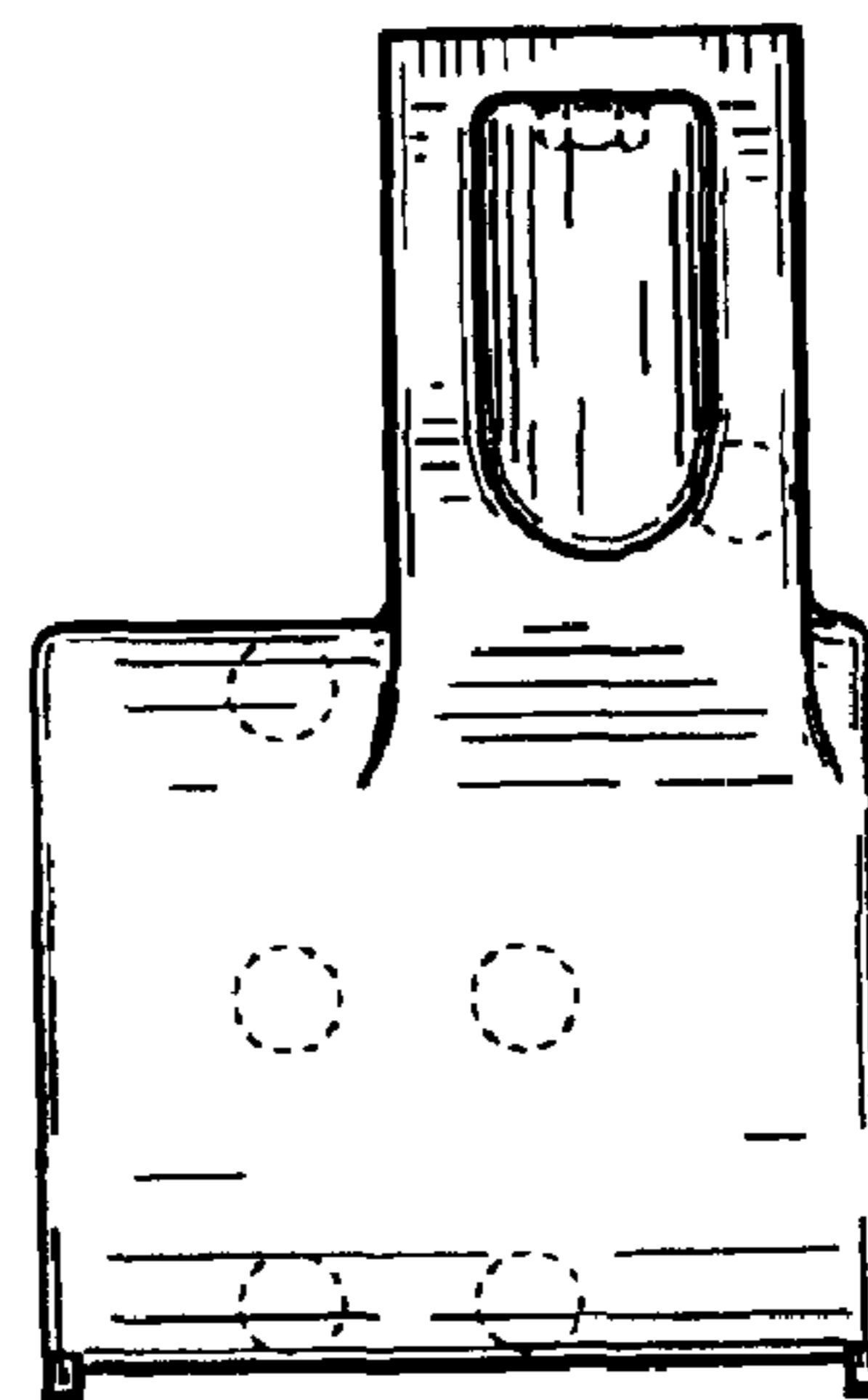


Fig.8