

US00D504445S

(12) **United States Design Patent**  
**Johnson**

(10) **Patent No.:** **US D504,445 S**

(45) **Date of Patent:** **\*\* Apr. 26, 2005**

(54) **WIRE GRIPPER ASSEMBLY FOR TIRE  
BEAD WINDING ASSEMBLY**

6,352,602 B1 \* 3/2002 Ogawa ..... 156/136

\* cited by examiner

(75) **Inventor:** **Christopher L. Johnson**, Blossvale,  
NY (US)

*Primary Examiner*—Antoine D. Davis

(74) *Attorney, Agent, or Firm*—George R. McGuire; Bond,  
Schoeneck & King, PLLC

(73) **Assignee:** **Bartell Machinery Systems, LLC**,  
Rome, NY (US)

(57) **CLAIM**

(\*\*) **Term:** **14 Years**

The ornamental design for a wire gripper assembly for tire  
bead winding assembly, as shown and described.

(21) **Appl. No.:** **29/193,097**

**DESCRIPTION**

(22) **Filed:** **Nov. 3, 2003**

(51) **LOC (7) Cl.** ..... **15-09**

FIG. 1 is a perspective view of my new design of a wire  
gripper assembly for use in a tire bead winding assembly;

(52) **U.S. Cl.** ..... **D15/122**

FIG. 2 is a right side elevation view thereof;

(58) **Field of Search** ..... D15/122, 199;

FIG. 3 is a top plan view thereof;

156/136, 442

FIG. 4 is a bottom plan view thereof;

FIG. 5 is a front elevational view thereof; and,

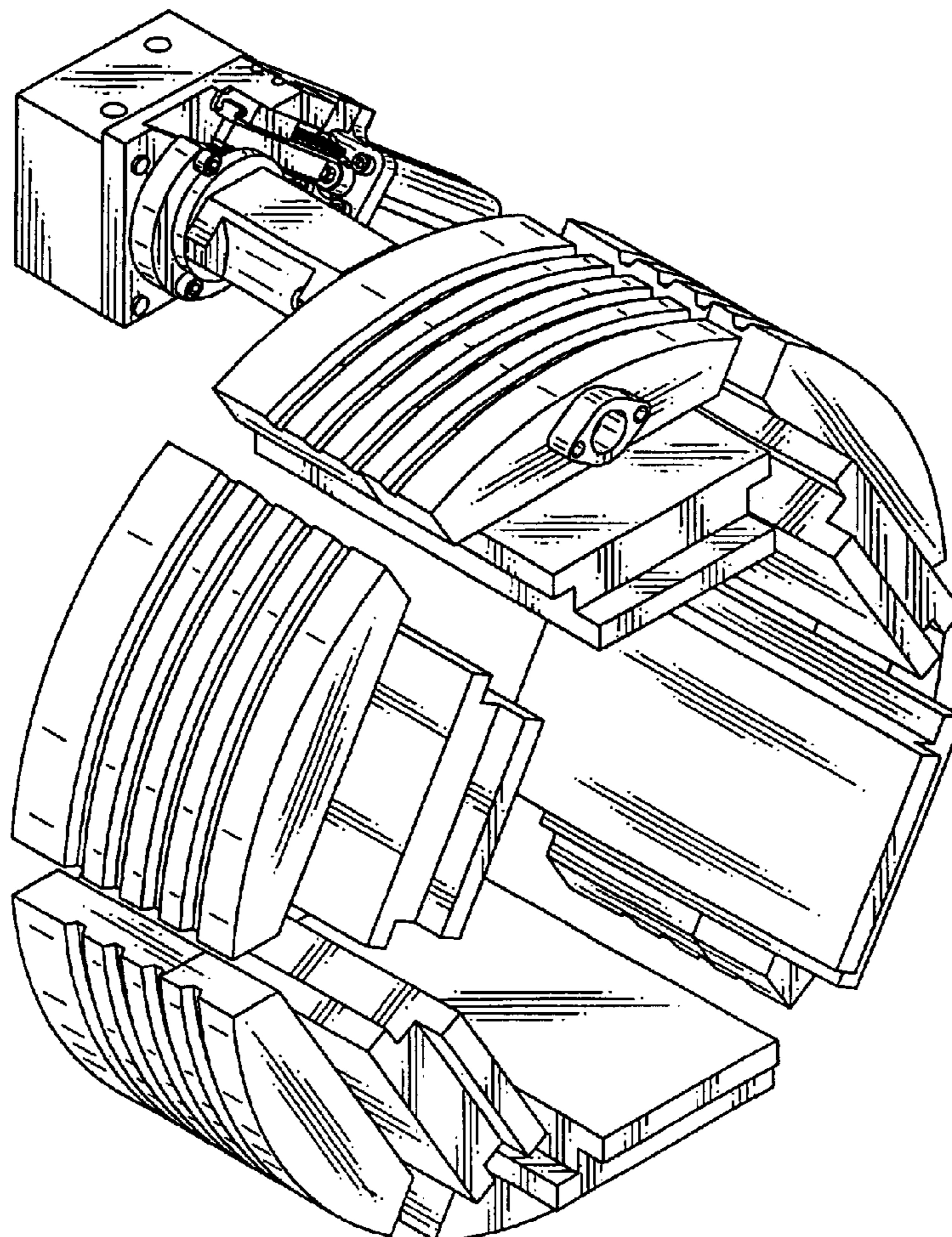
FIG. 6 is a rear elevation view thereof.

(56) **References Cited**

**U.S. PATENT DOCUMENTS**

5,882,458 A \* 3/1999 Kolb et al. .... 156/136

**1 Claim, 6 Drawing Sheets**



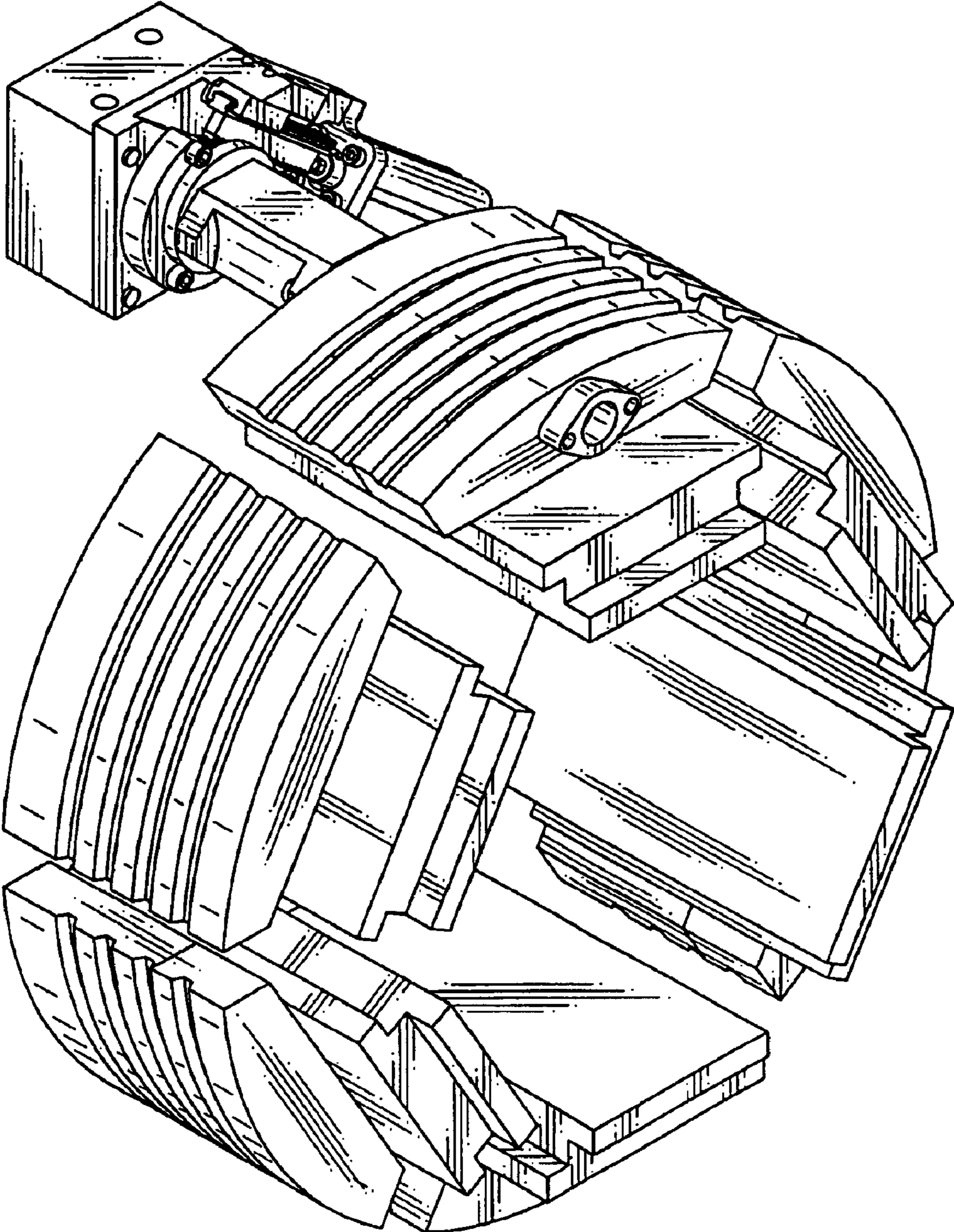


FIG. 1

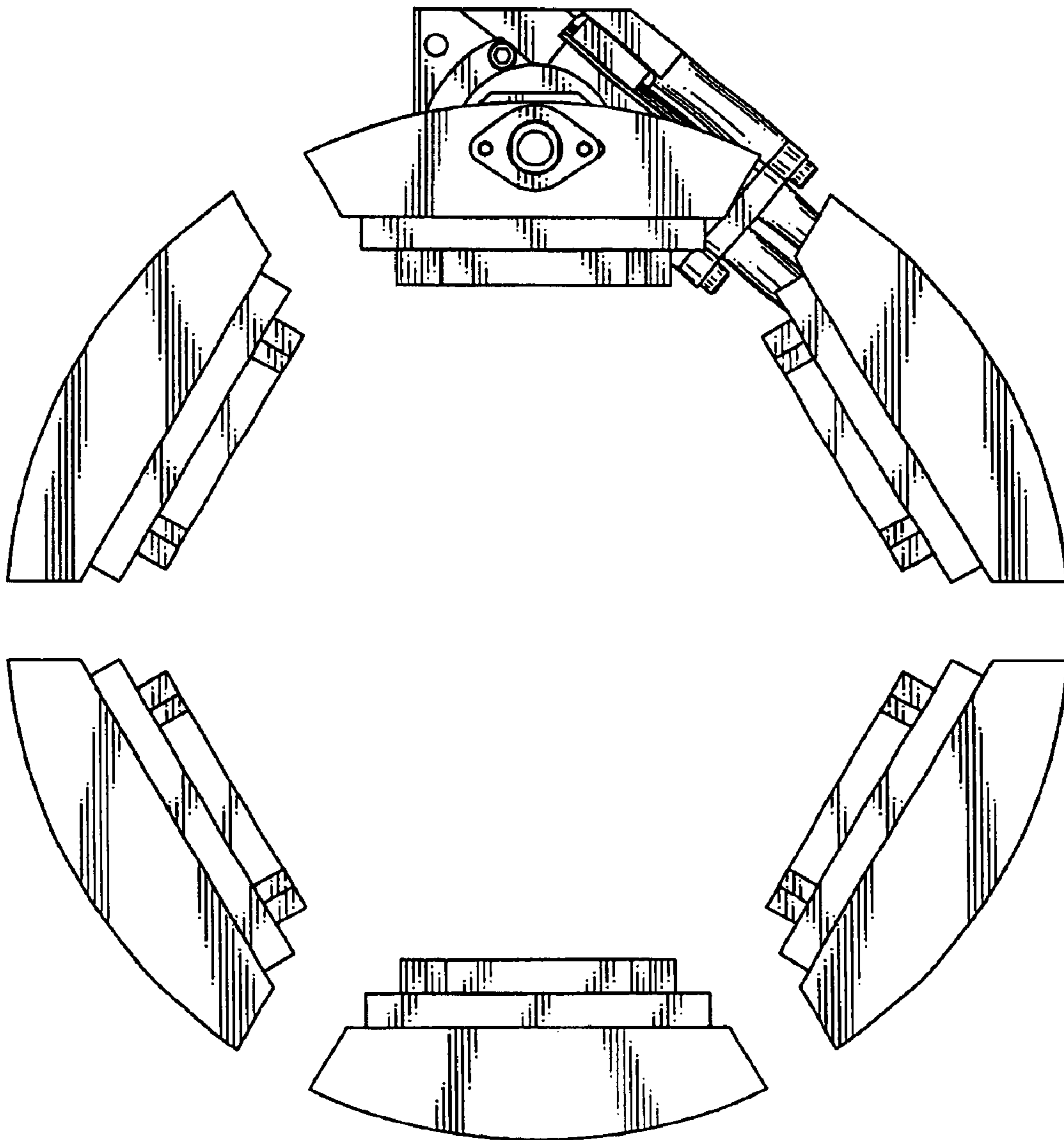


FIG.2

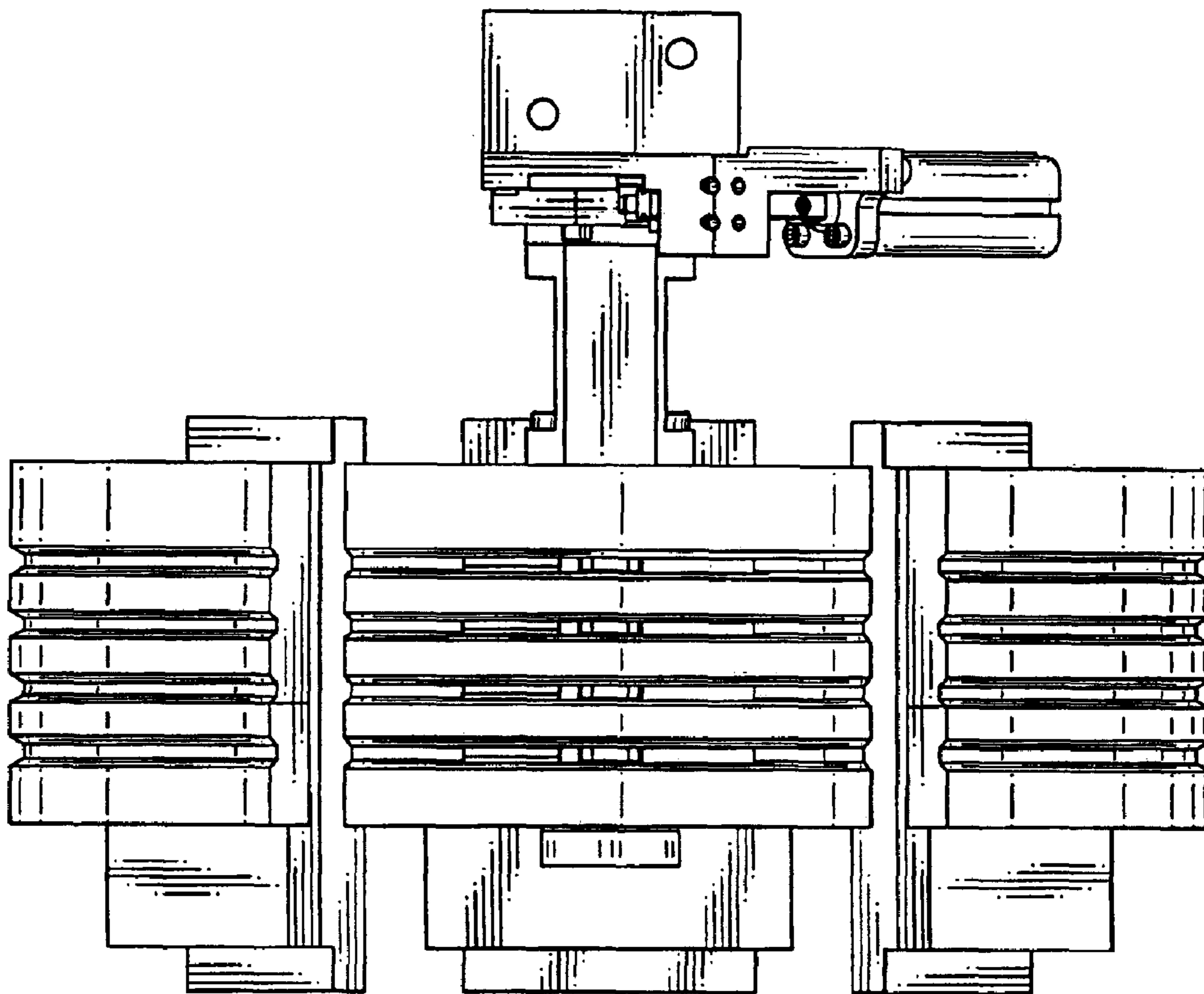


FIG.3

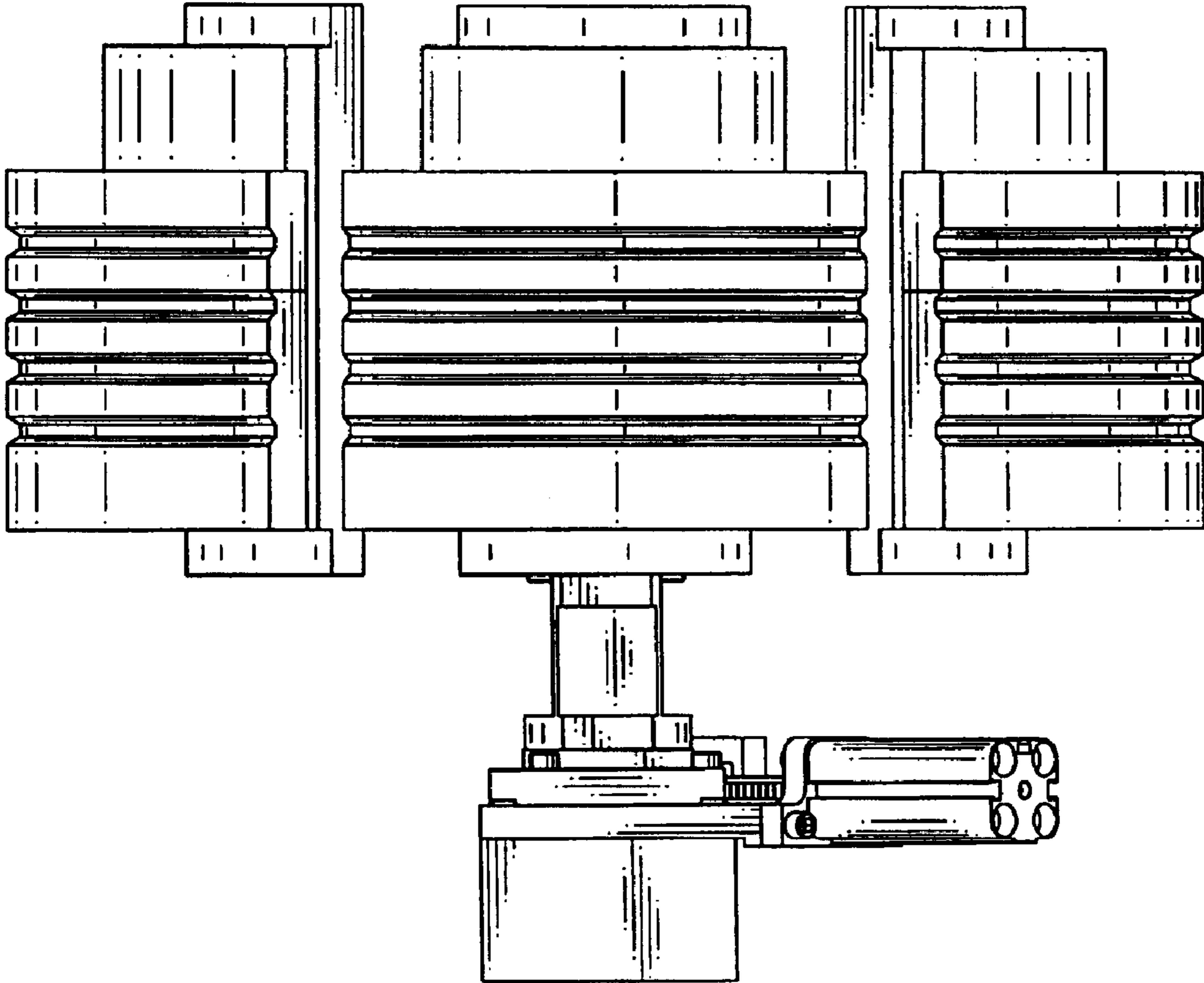


FIG.4

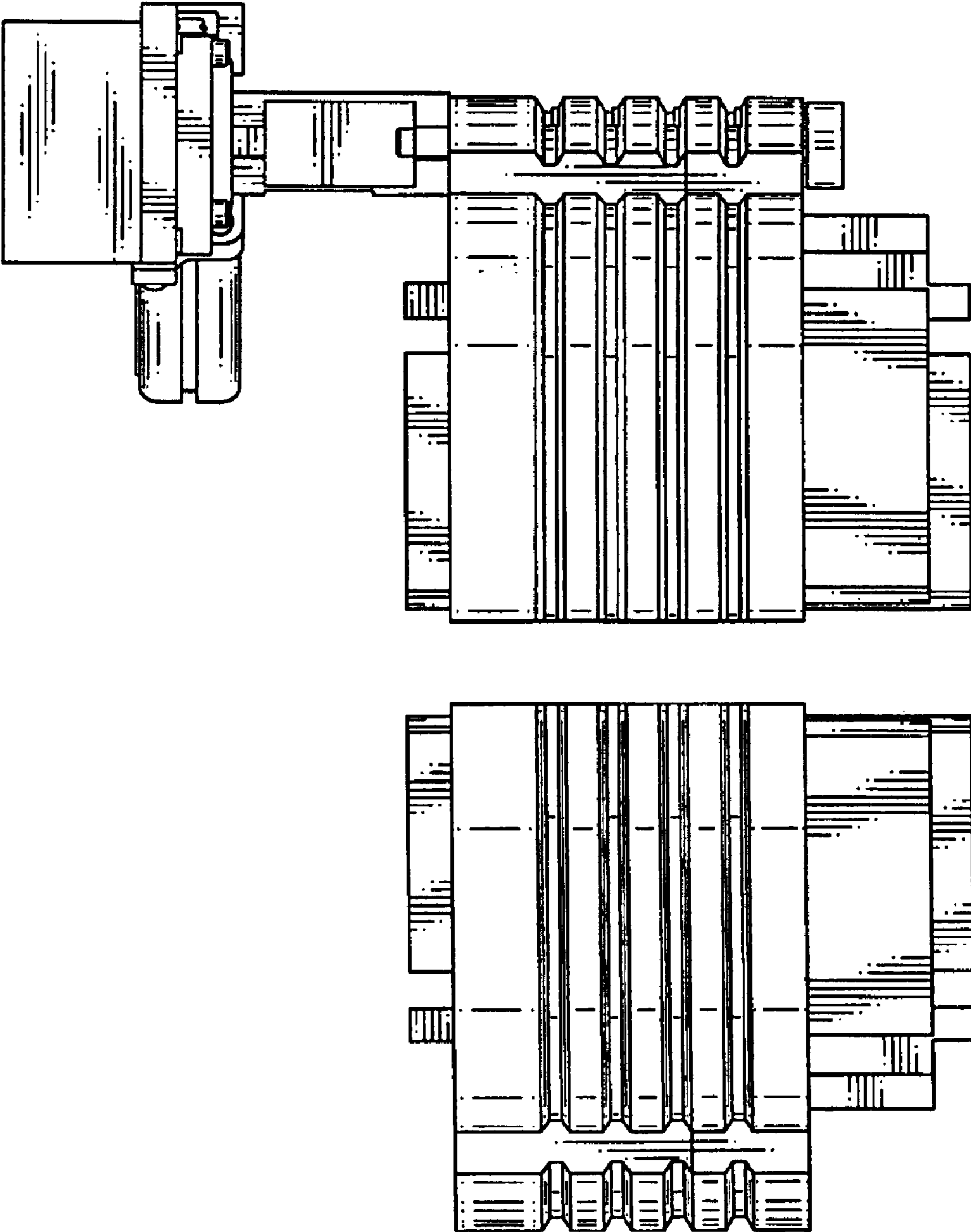


FIG.5

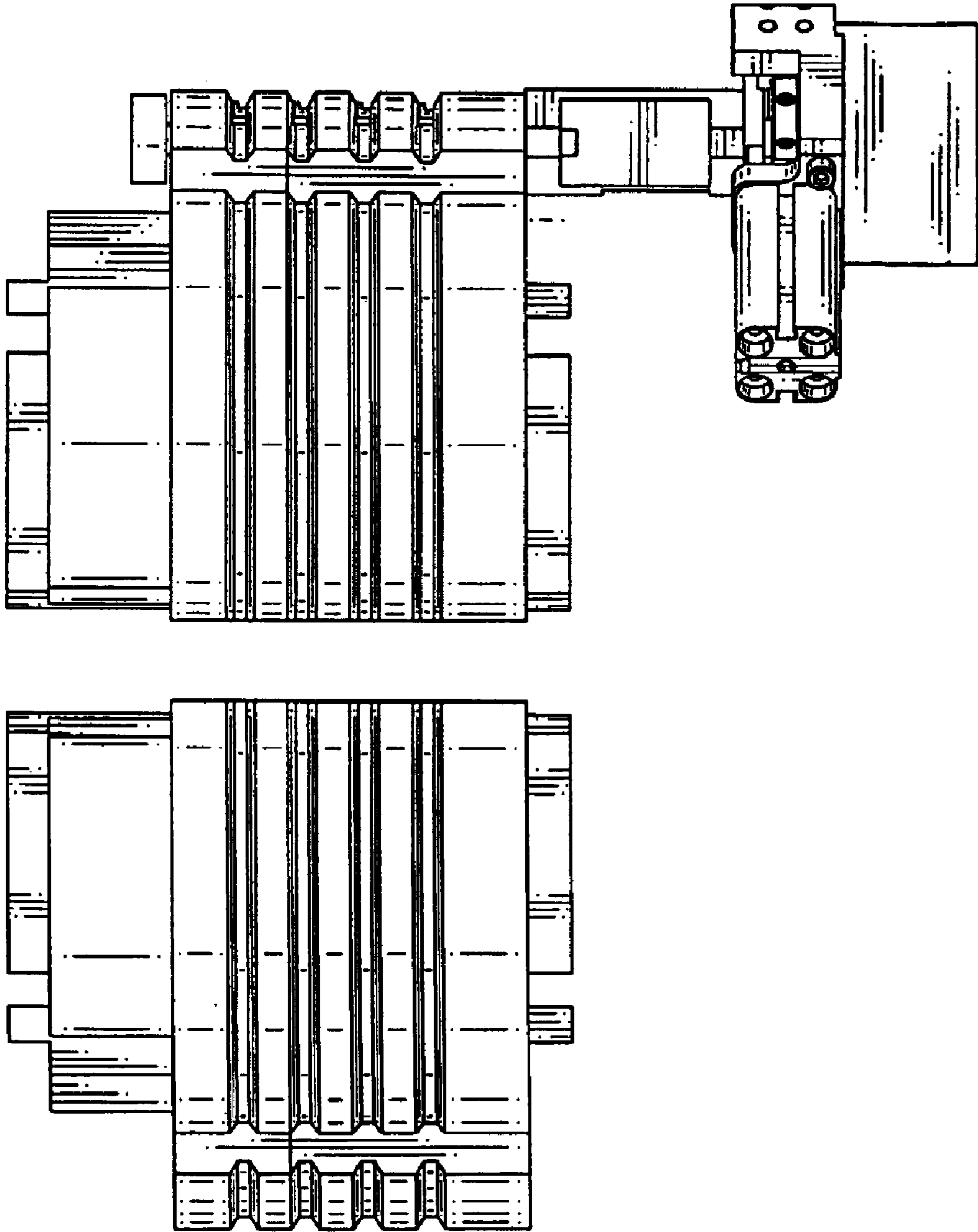


FIG. 6