



US00D504444S

(12) **United States Design Patent**
Kuroki

(10) **Patent No.:** **US D504,444 S**

(45) **Date of Patent:** **** Apr. 26, 2005**

(54) **SEWING MACHINE**

(75) **Inventor:** **Nobufusa Kuroki, Tokyo (JP)**

(73) **Assignee:** **Janome Sewing Machine Company Limited, Tokyo (JP)**

(**) **Term:** **14 Years**

(21) **Appl. No.:** **29/195,795**

(22) **Filed:** **Dec. 18, 2003**

(30) **Foreign Application Priority Data**

Jun. 25, 2003 (JP) 2003-018035

(51) **LOC (7) Cl.** **15-06**

(52) **U.S. Cl.** **D15/69**

(58) **Field of Search** D15/66-76; 112/217.1-217.4,
112/258-261

(56) **References Cited**

U.S. PATENT DOCUMENTS

D321,353 S * 11/1991 Eguchi et al. D15/69

D433,690 S * 11/2000 Kuroki D15/70

D481,739 S * 11/2003 Iwai D15/69

D482,703 S * 11/2003 Kuroki D15/69

D483,774 S * 12/2003 Kuroki D15/69

D483,775 S * 12/2003 Kuroki D15/69

* cited by examiner

Primary Examiner—Mitchell Siegel

(74) *Attorney, Agent, or Firm*—Jacobson Holman PLLC

(57) **CLAIM**

The ornamental design for a sewing machine, as shown and described.

DESCRIPTION

FIG. 1 is a front perspective view showing my new design for a sewing machine,

FIG. 2 is a right side view thereof;

FIG. 3 is a top view thereof;

FIG. 4 is a bottom view thereof;

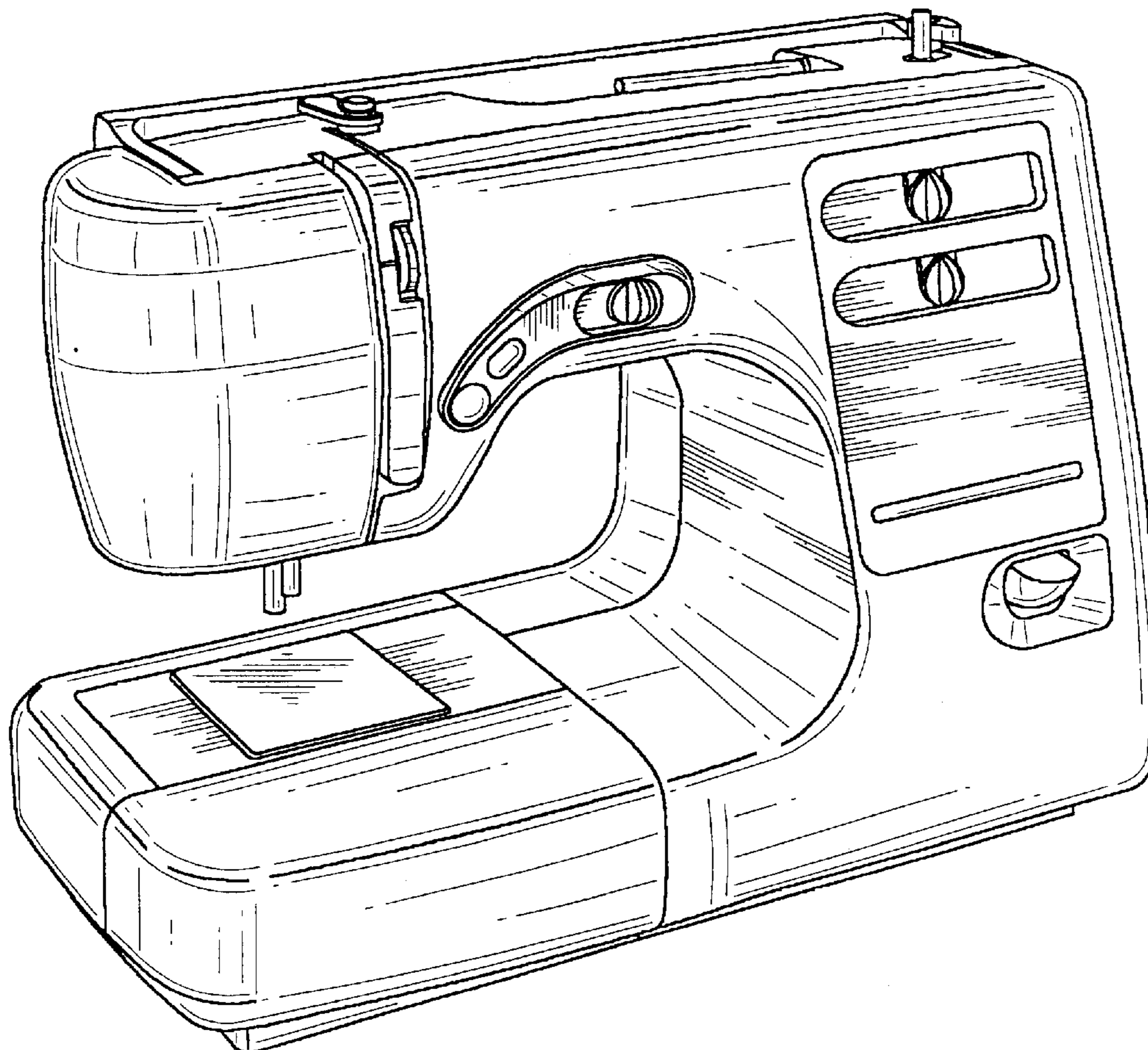
FIG. 5 is a front view thereof;

FIG. 6 is a rear view thereof;

FIG. 7 is a left side view thereof; and,

FIG. 8 is a right side view thereof.

1 Claim, 4 Drawing Sheets



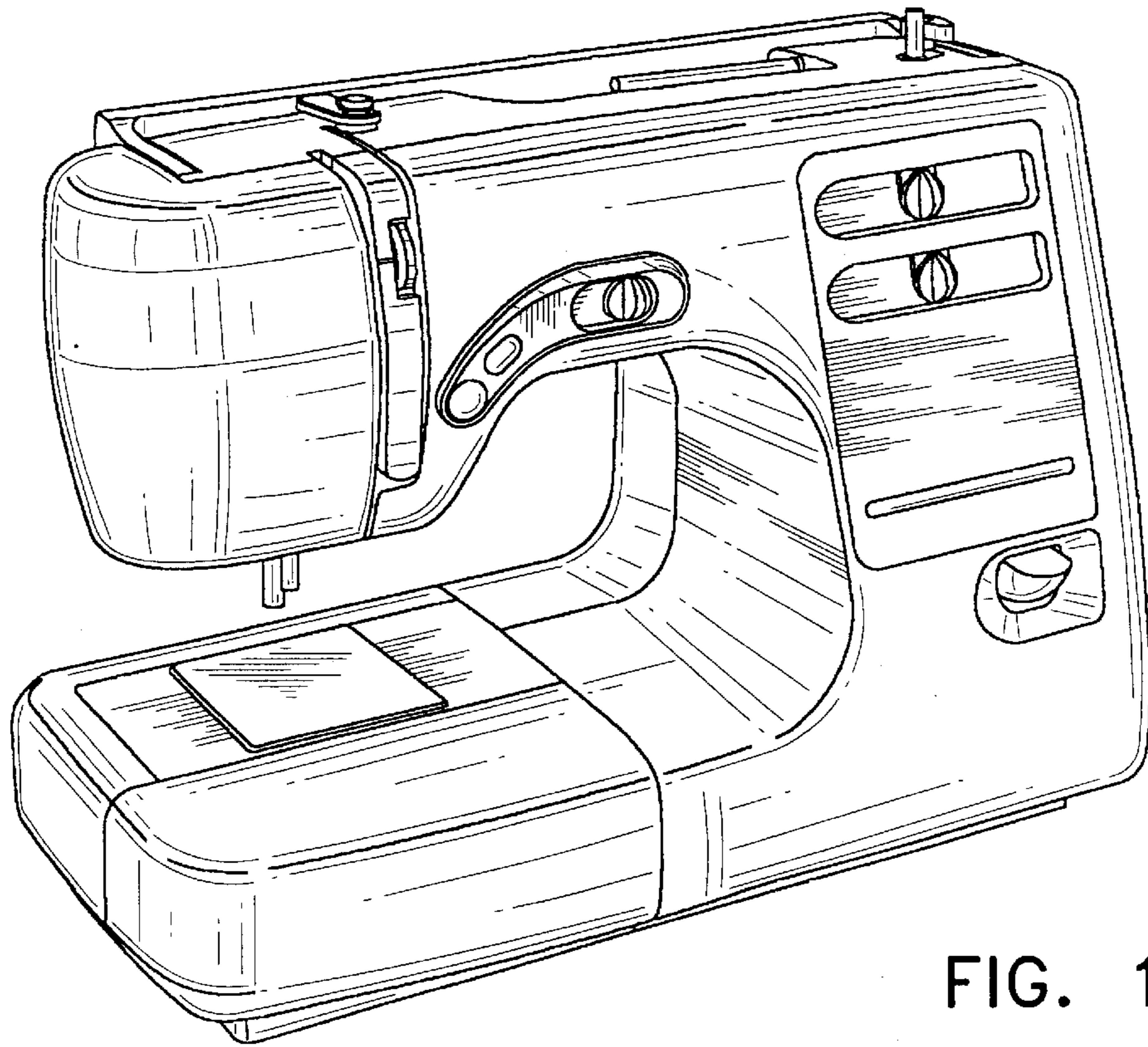


FIG. 1

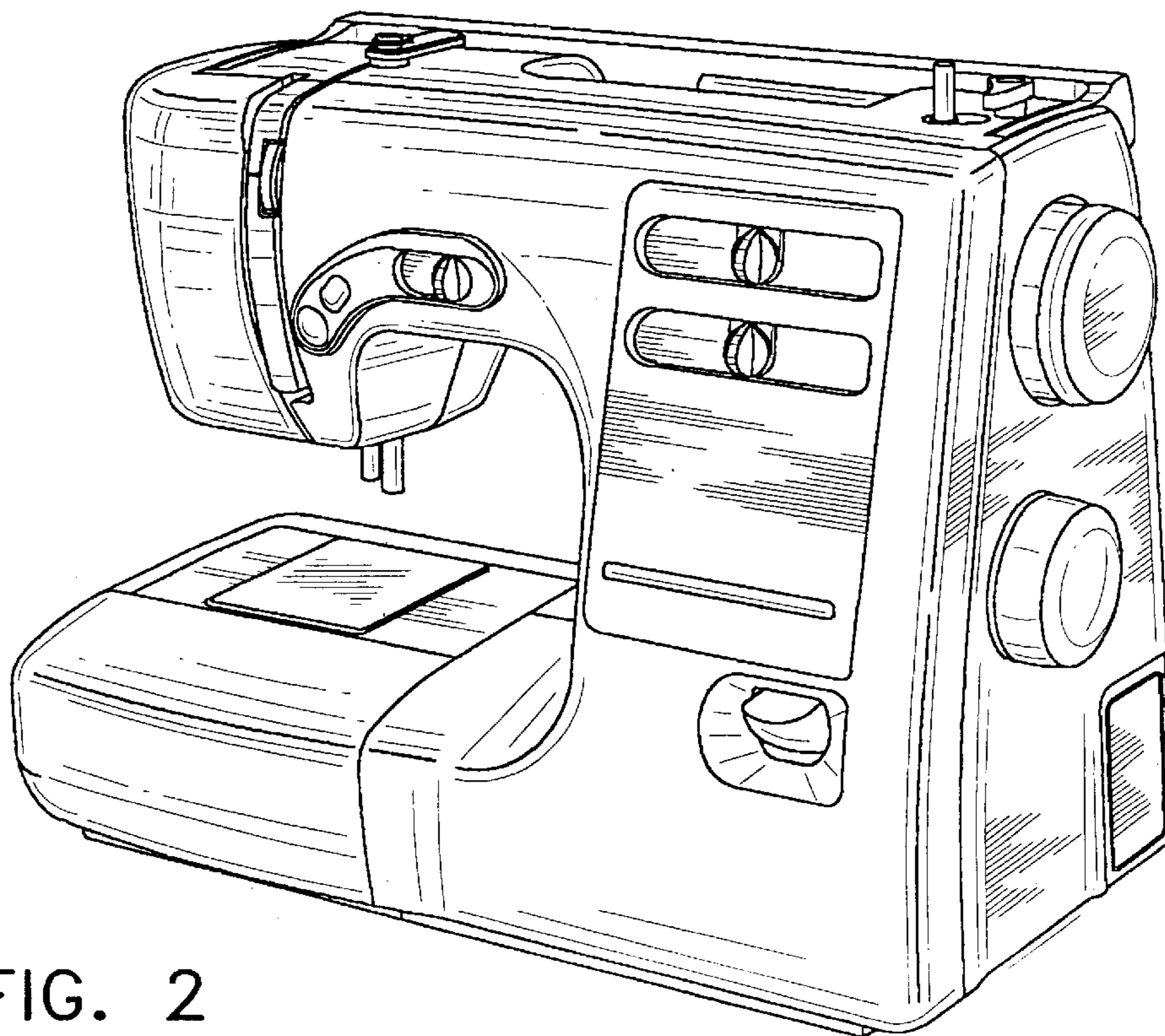


FIG. 2

FIG. 3

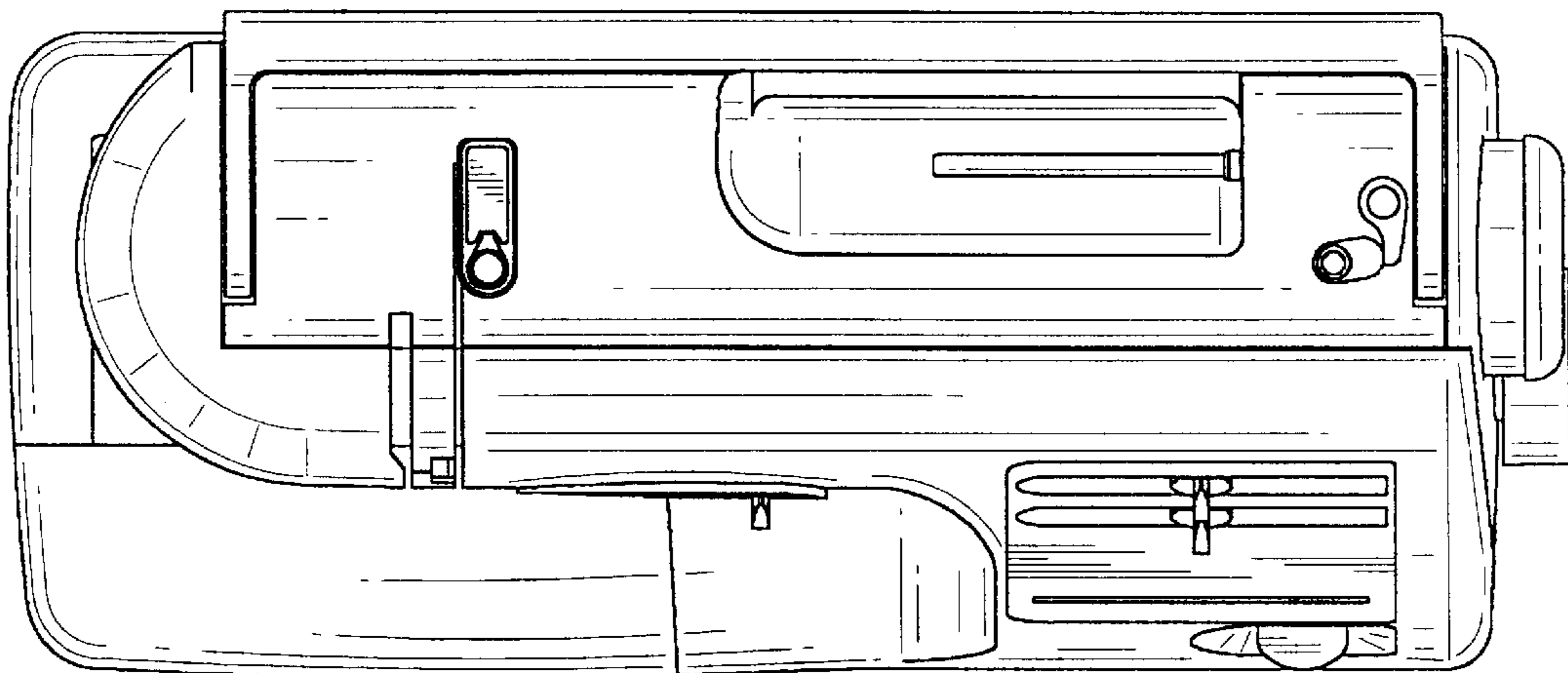


FIG. 4

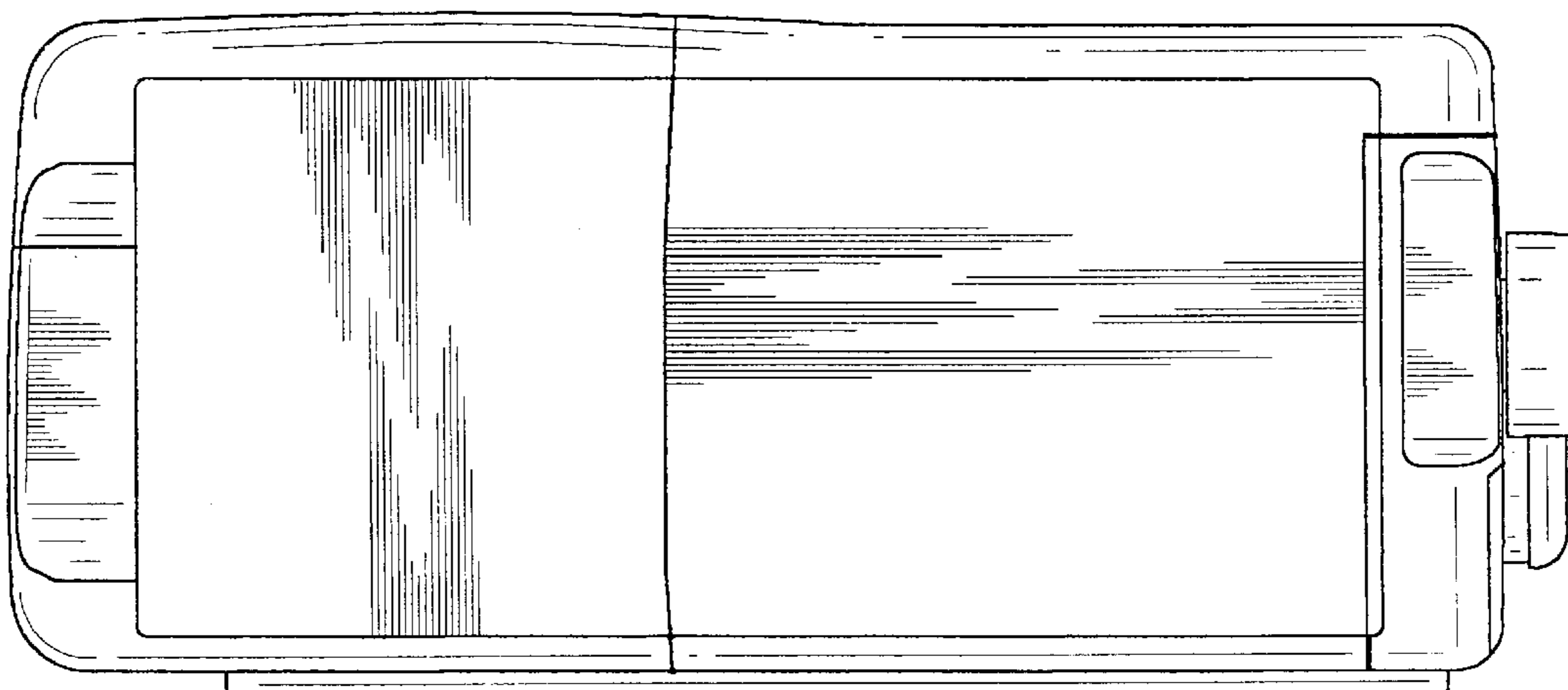


FIG. 5

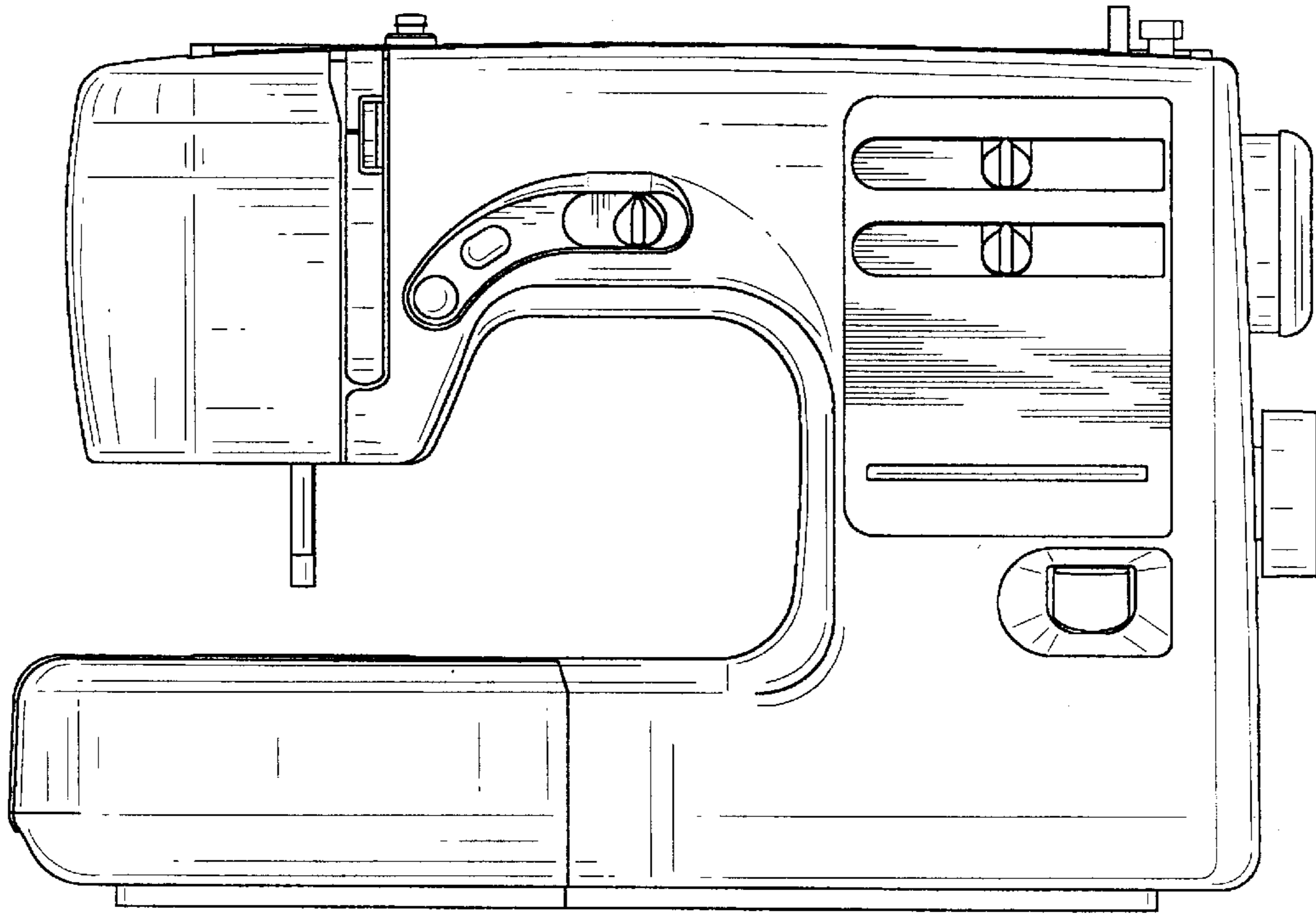
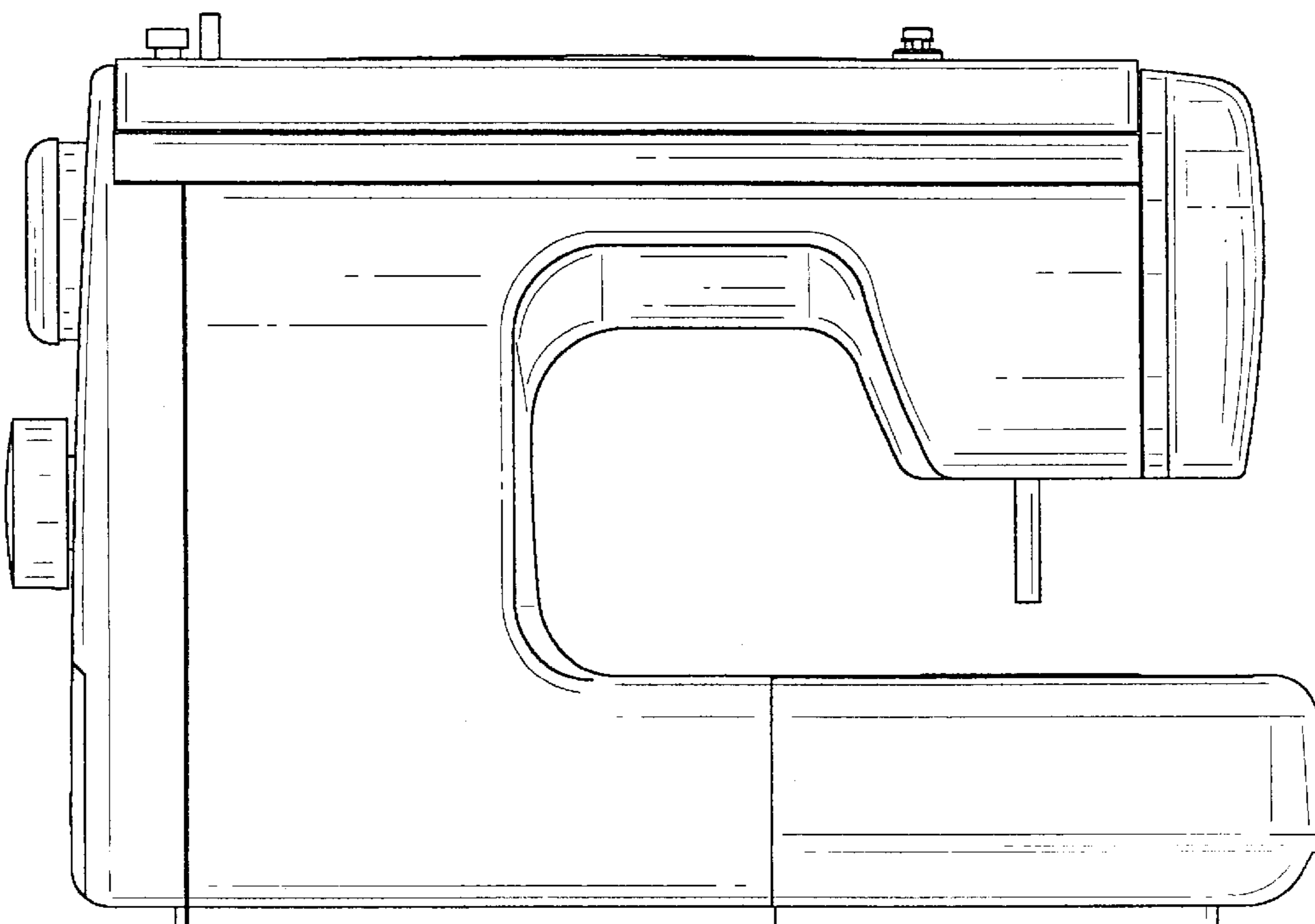


FIG. 6



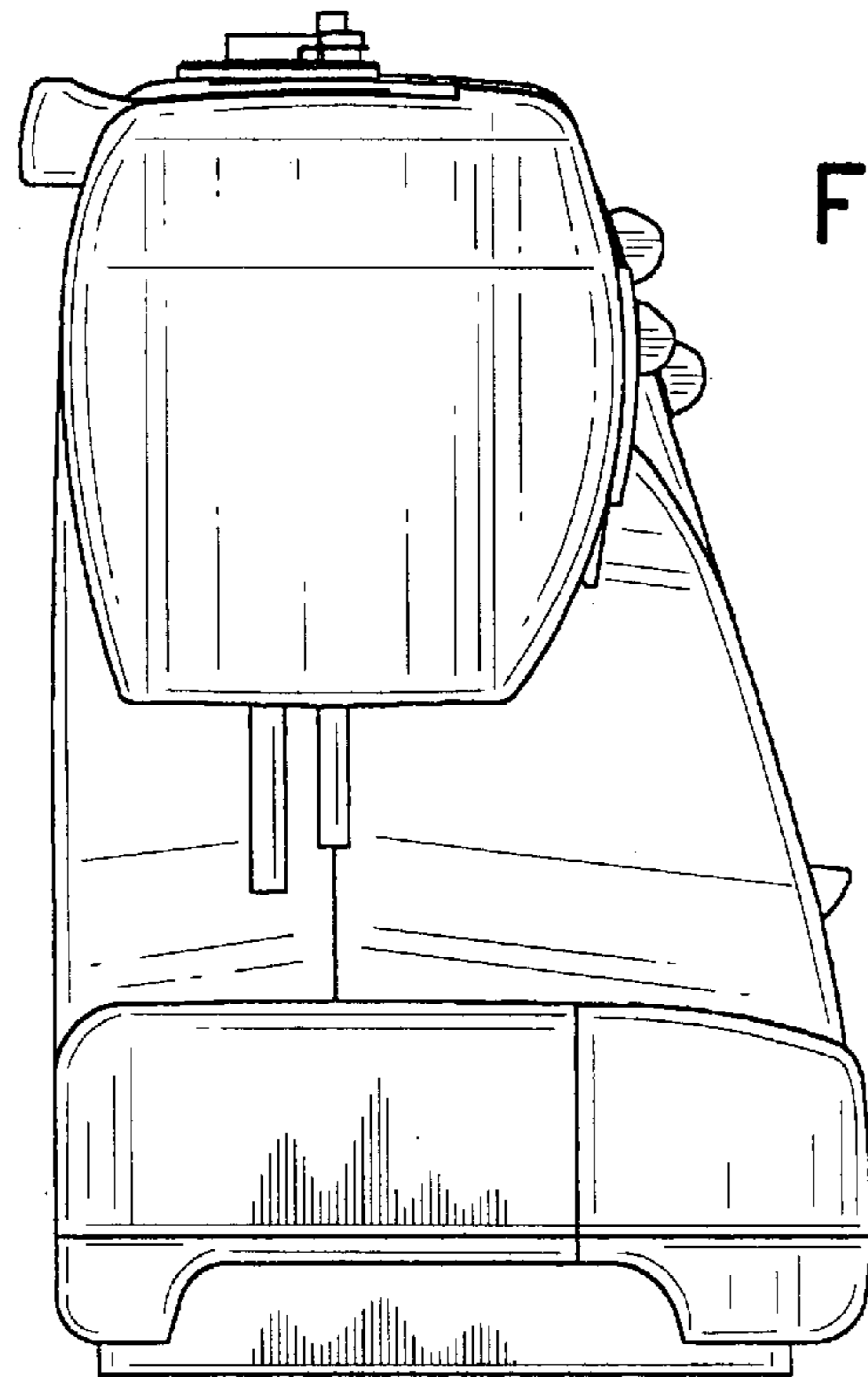


FIG. 7

FIG. 8

