

US00D504443S

(12) **United States Design Patent** (10) **Patent No.:** **US D504,443 S**  
**Yorulmazoglu et al.** (45) **Date of Patent:** **\*\* Apr. 26, 2005**

(54) **PUMP**

(75) Inventors: **Idil Yorulmazoglu**, Shorewood, WI (US); **Richard Claypool Cameron**, Delavan, WI (US); **Ronald R. Dir**, Racine, WI (US); **Matthew G. Goulet**, Racine, WI (US)

(73) Assignee: **Sta-Rite Industries, Inc.**, Delavan, WI (US)

(\*\*) Term: **14 Years**

(21) Appl. No.: **29/196,523**

(22) Filed: **Dec. 30, 2003**

- D316,099 S 4/1991 Hartz
- D327,075 S 6/1992 Tiedemann
- D339,810 S 9/1993 Hansen
- D357,687 S 4/1995 Jensen
- 5,407,323 A 4/1995 Gay et al.
- D365,107 S 12/1995 Ward
- D372,719 S 8/1996 Jensen
- D380,217 S 6/1997 Jermeay
- D384,674 S 10/1997 Grolle et al.
- D393,266 S 4/1998 Hathaway
- D407,411 S 3/1999 Chalberg et al.
- D419,567 S 1/2000 Weiss
- D435,049 S 12/2000 Tsai
- D455,440 S 4/2002 Yorulmazoglu et al.
- D484,852 S \* 1/2004 James et al. .... D13/107

\* cited by examiner

**Related U.S. Application Data**

(60) Continuation of application No. 29/158,763, filed on Apr. 9, 2002, now Pat. No. Des. 485,564, which is a division of application No. 29/133,660, filed on Dec. 1, 2000, now Pat. No. Des. 455,440.

(51) **LOC (7) Cl.** ..... **15-02**

(52) **U.S. Cl.** ..... **D15/7**

(58) **Field of Search** ..... D15/7-9; 417/321, 417/410, 413.1, 415, 423.3, 486, 521, 534; 415/148

**References Cited**

**U.S. PATENT DOCUMENTS**

- 3,752,603 A 8/1973 Bunch
- D229,235 S 11/1973 Bunch
- D237,835 S 11/1975 Bevan et al.
- 3,958,894 A 5/1976 Rowley et al.
- D287,656 S 1/1987 Waldrep et al.
- D294,265 S 2/1988 Gray
- D299,143 S 12/1988 Hazlehurst
- 4,830,573 A 5/1989 Campbell
- D303,532 S 9/1989 Gesens
- D315,911 S 4/1991 Campbell

*Primary Examiner*—R. Seifert

(74) *Attorney, Agent, or Firm*—Michael Best & Friedrich LLP

(57) **CLAIM**

The ornamental design for a pump, as shown and described.

**DESCRIPTION**

FIG. 1 is a perspective view of a pump constructed in accordance with an embodiment of the present invention; FIG. 2 is an elevational view of the front of the pump shown in FIG. 1;

FIG. 3 is a top plan view of the pump shown in FIGS. 1 and 2;

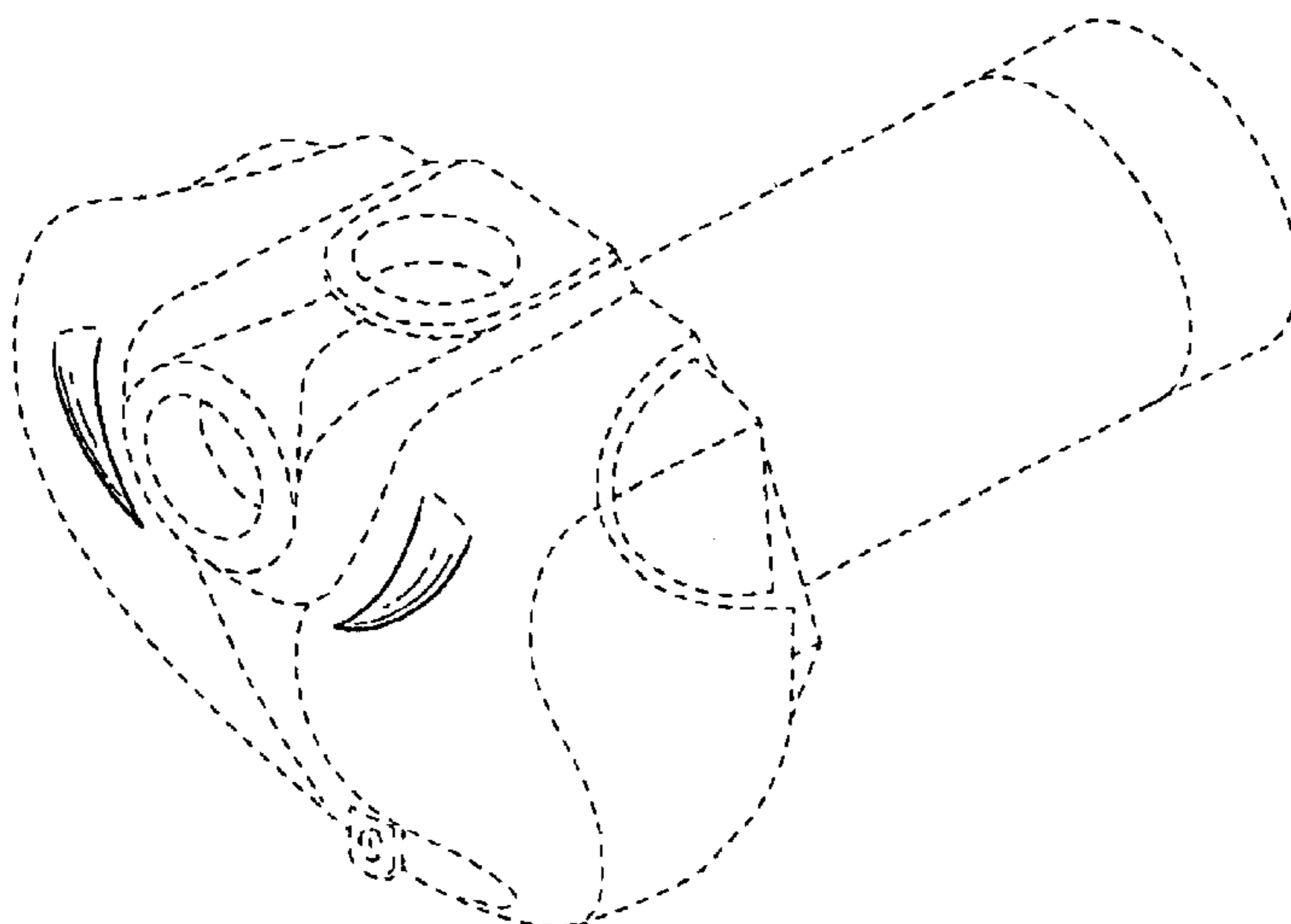
FIG. 4 is a bottom plan view of the pump shown in FIGS. 1-3;

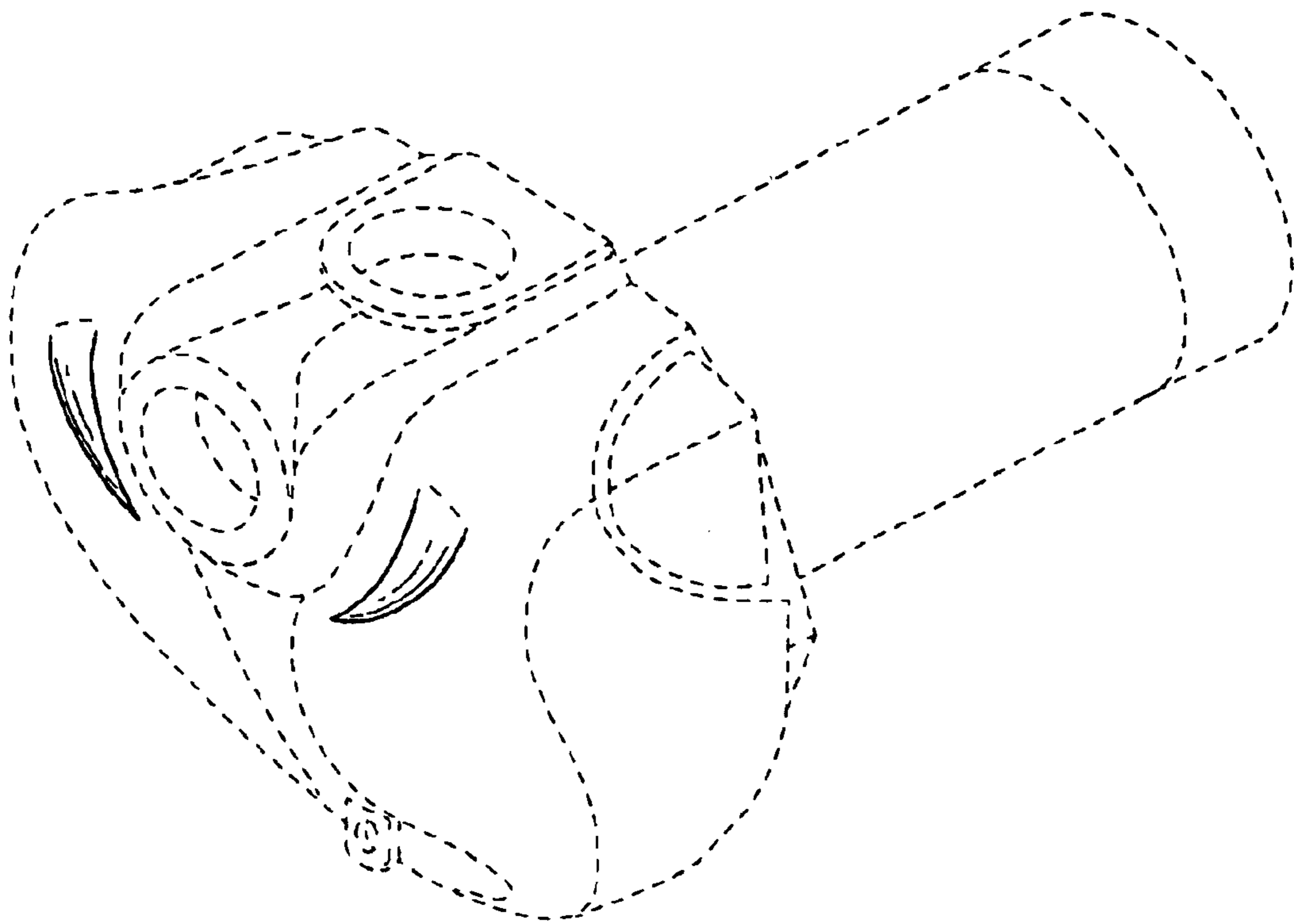
FIG. 5 is an elevational view of the right side of the pump shown in FIGS. 1-4; and,

FIG. 6 is an elevational view of the left side of the pump shown in FIGS. 1-5.

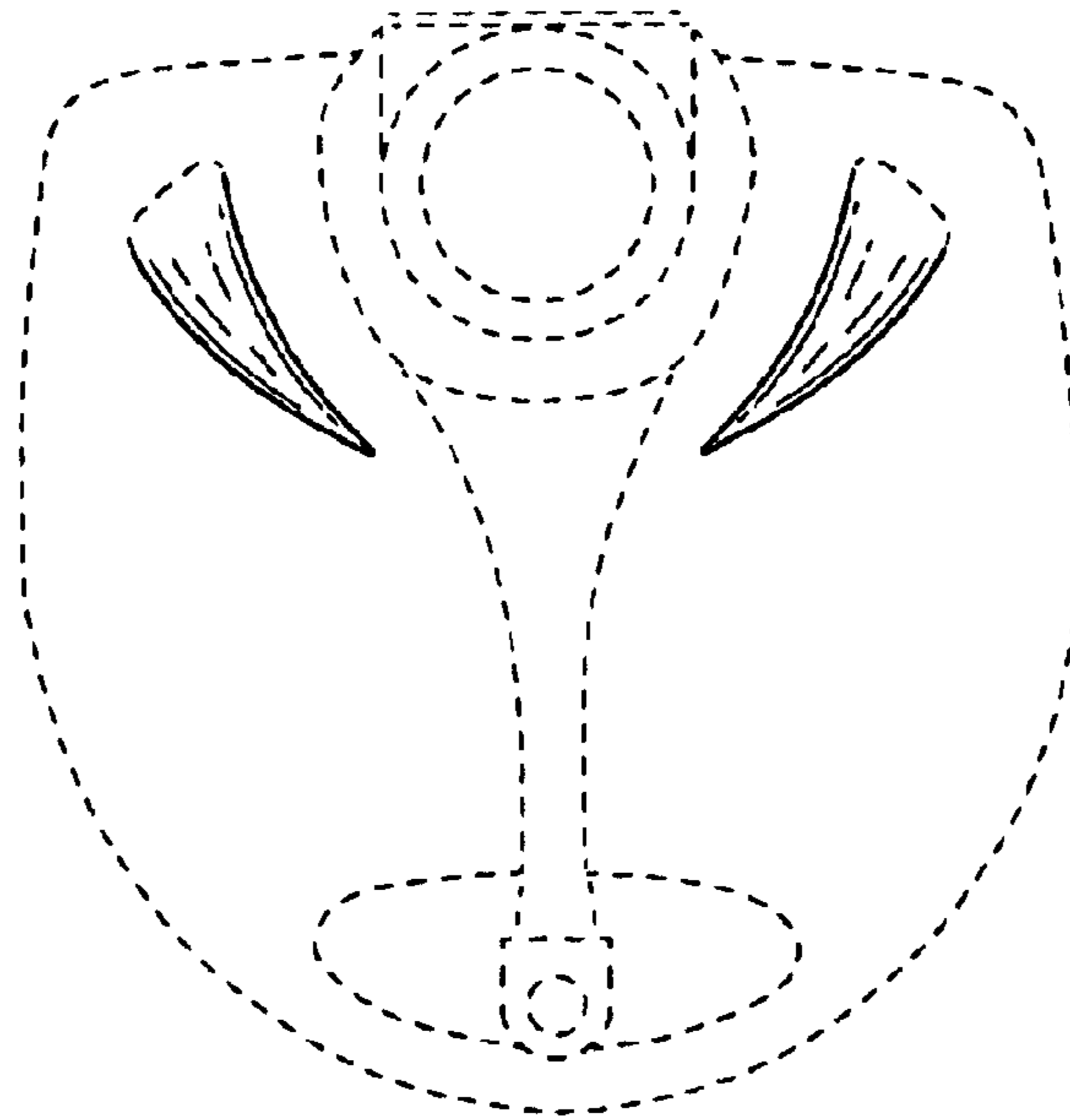
The broken lines in the Figures are shown for illustrative purposes only and form no part of the claimed design.

**1 Claim, 4 Drawing Sheets**

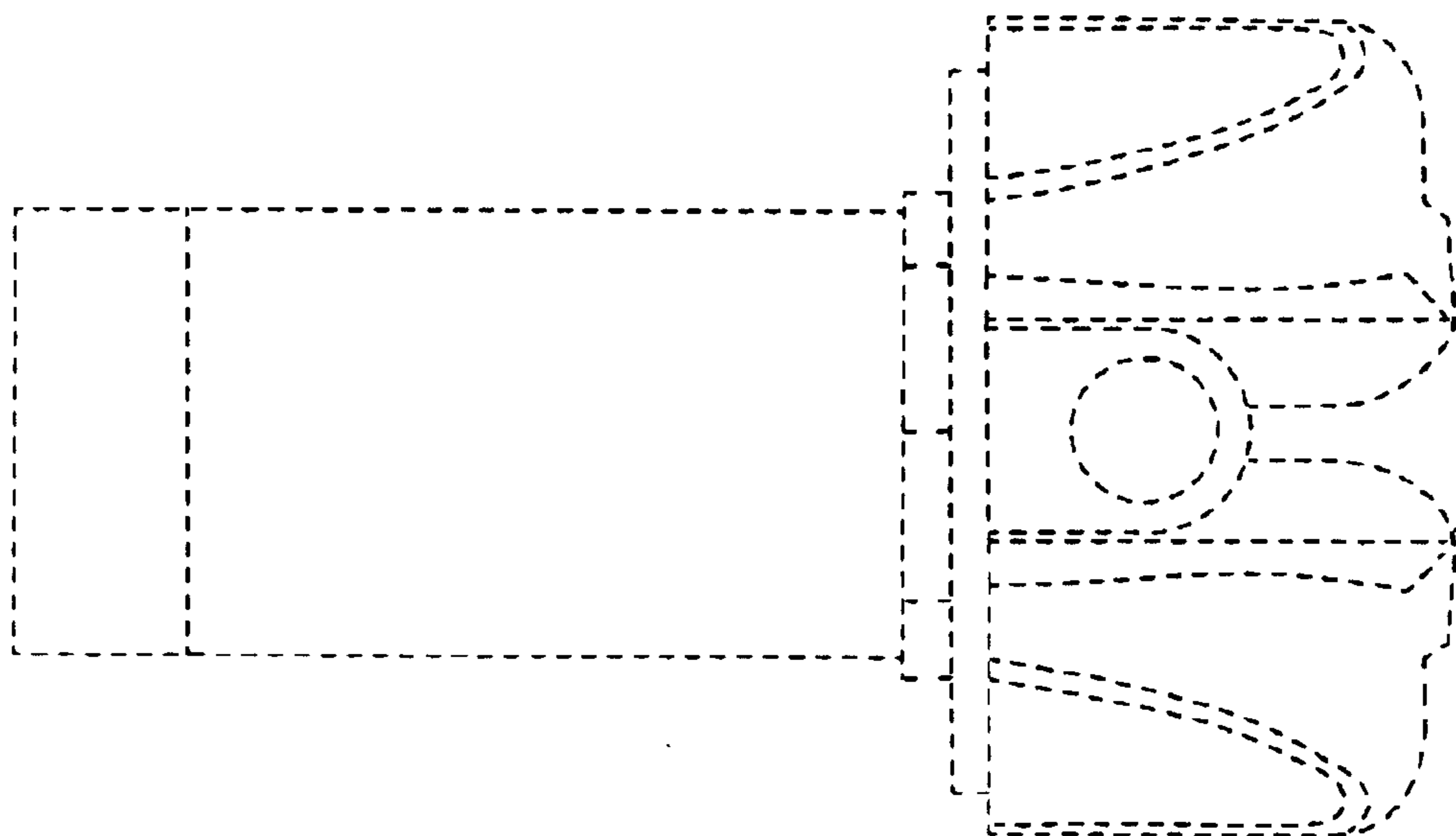




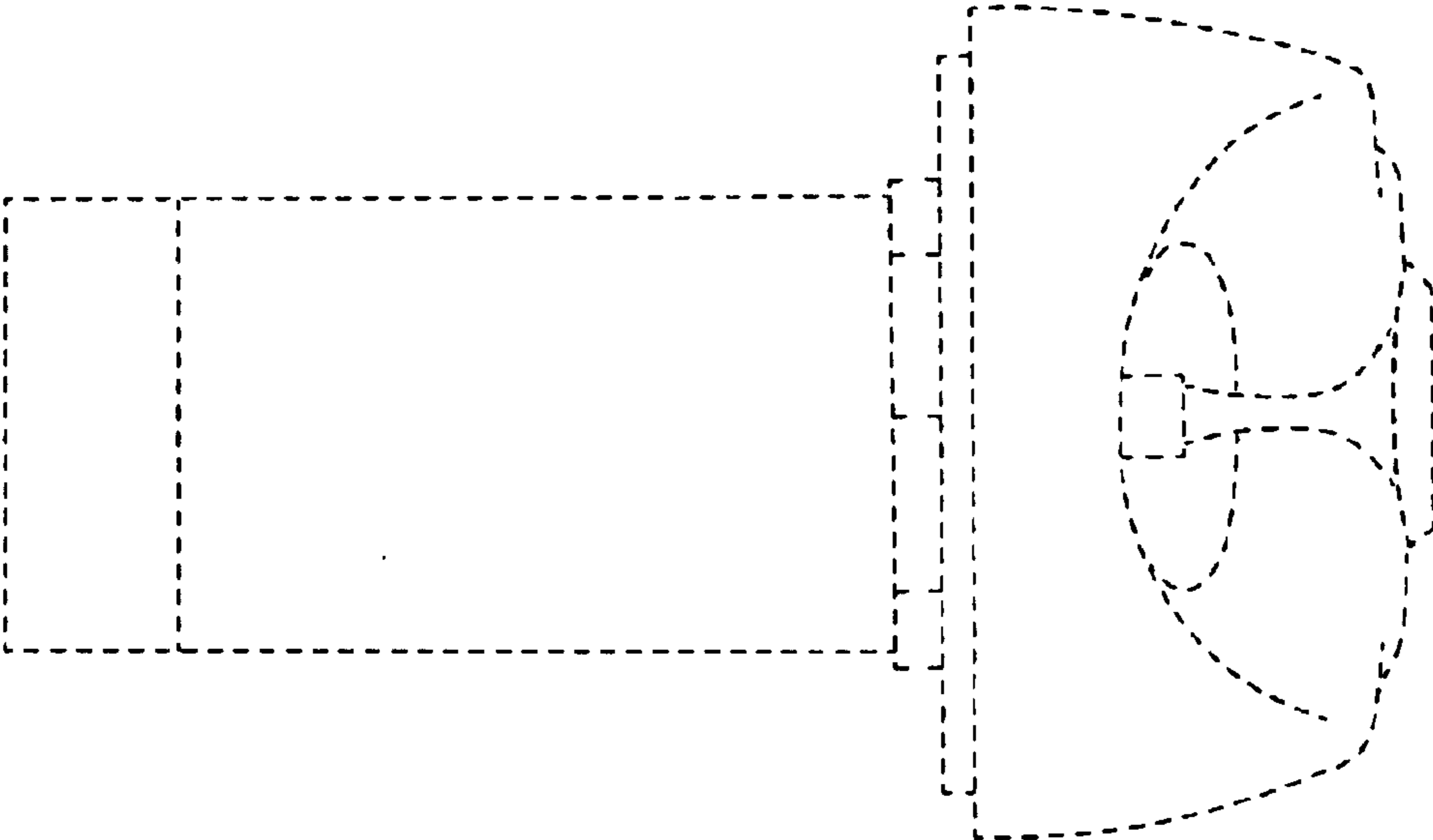
**FIG. 1**



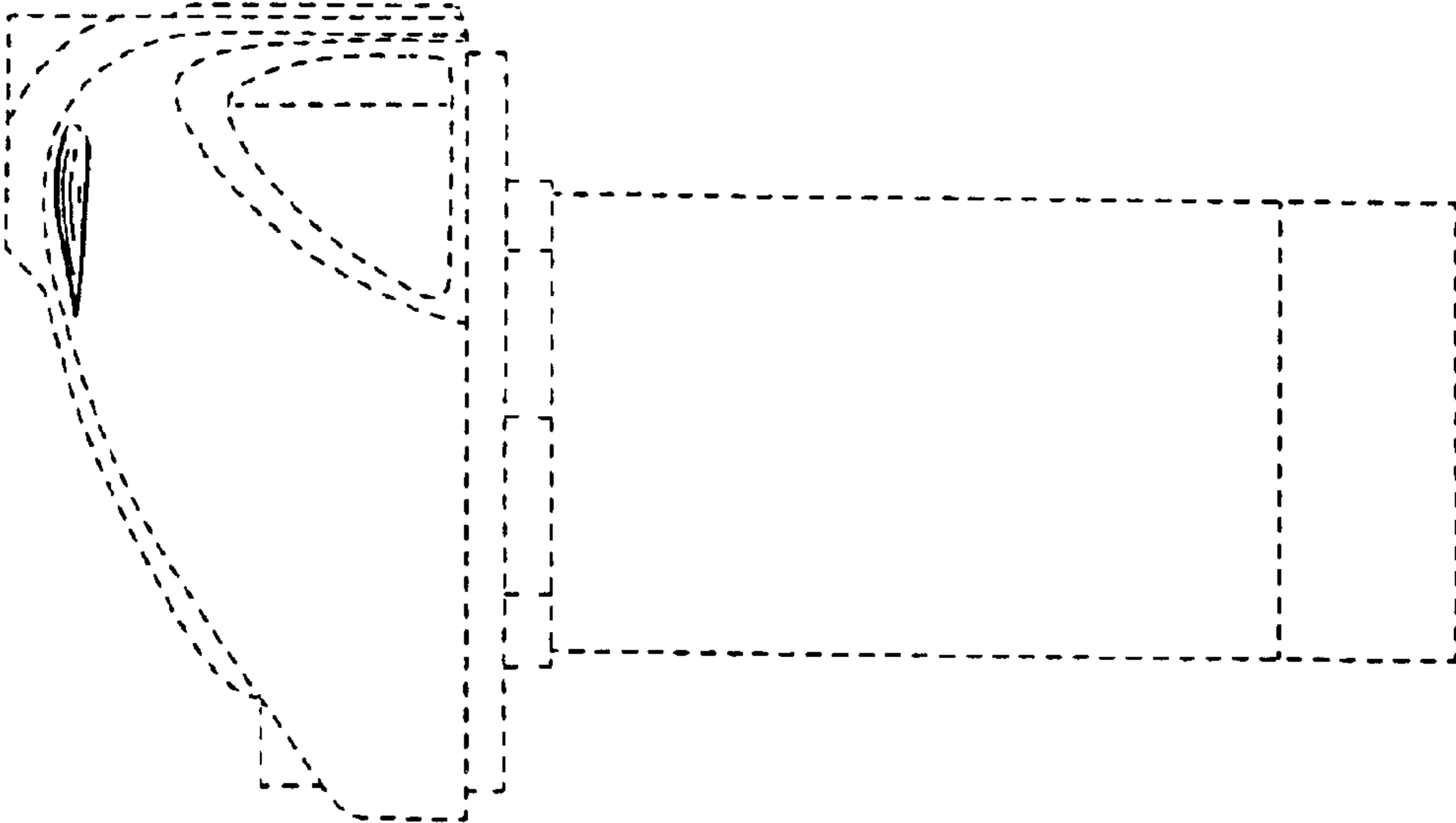
**FIG. 2**



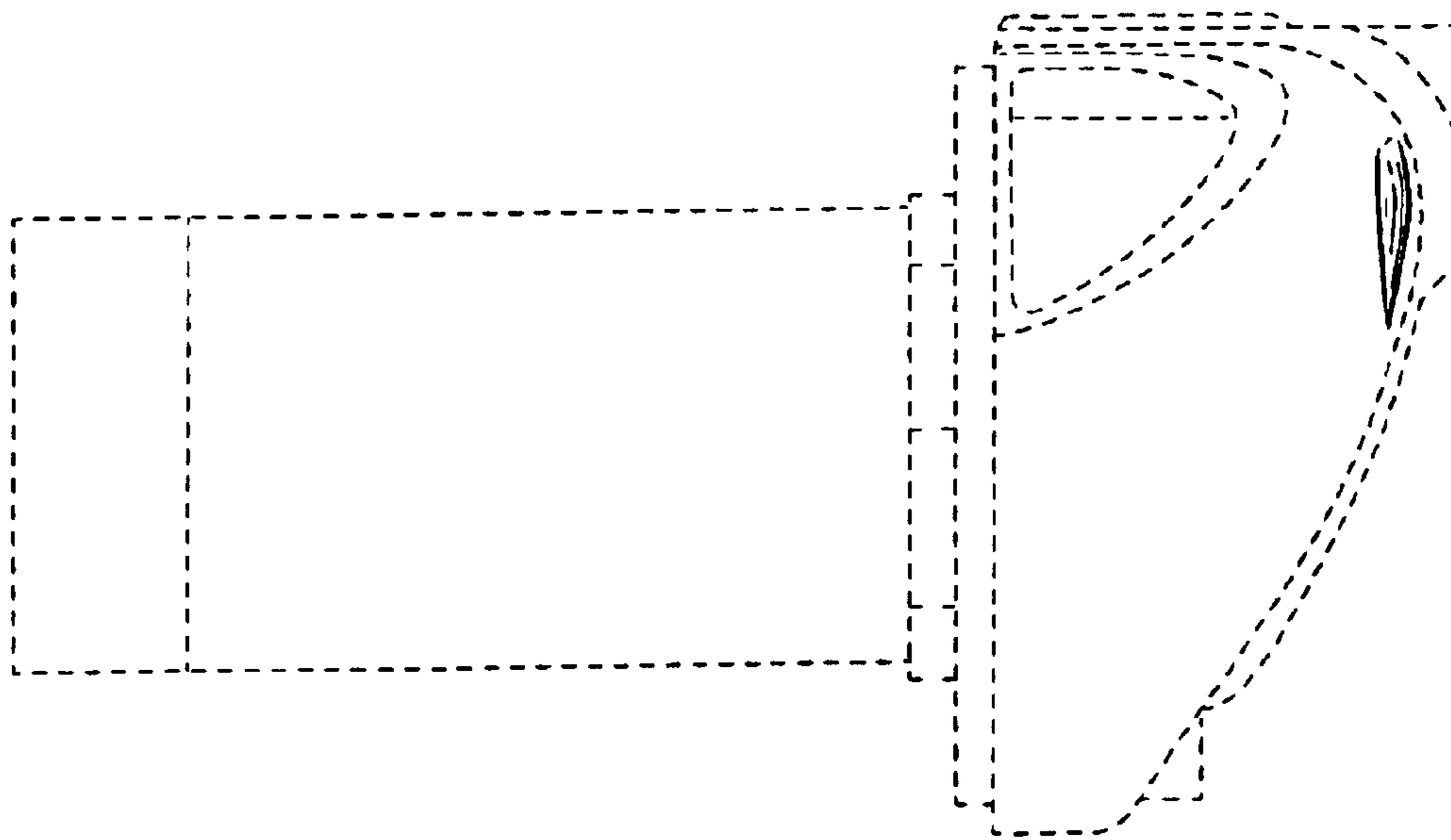
**FIG. 3**



**FIG. 4**



**FIG. 5**



**FIG. 6**