

US00D504439S

(12) **United States Design Patent**  
**Katayama**

(10) **Patent No.:** **US D504,439 S**  
(45) **Date of Patent:** **\*\* Apr. 26, 2005**

- (54) **FACSIMILE MACHINE**
- (75) **Inventor:** **Shigeharu Katayama**, Kakamigahara (JP)
- (73) **Assignee:** **Brother Industries, Ltd.**, Nagoya (JP)
- (\*\*) **Term:** **14 Years**
- (21) **Appl. No.:** **29/204,943**
- (22) **Filed:** **May 7, 2004**
- (30) **Foreign Application Priority Data**  
Nov. 13, 2003 (JP) ..... 2003-033908
- (51) **LOC (7) Cl.** ..... **16-03**
- (52) **U.S. Cl.** ..... **D14/467**
- (58) **Field of Search** ..... D14/462-471;  
358/400, 401; D18/36, 37

- 5,317,422 A \* 5/1994 Fujimoto ..... 358/476
- D357,677 S \* 4/1995 Sawada et al. .... D14/467
- D363,278 S \* 10/1995 Kakshiwabara et al. ... D14/467
- 5,905,782 A \* 5/1999 Lee et al. .... 379/100.01
- 6,040,919 A \* 3/2000 Iwata et al. .... 358/400

\* cited by examiner

*Primary Examiner*—Prabhakar Deshmukh  
(74) *Attorney, Agent, or Firm*—Oliff & Berridge, PLC

(57) **CLAIM**

The ornamental design for a facsimile machine, as shown and described.

**DESCRIPTION**

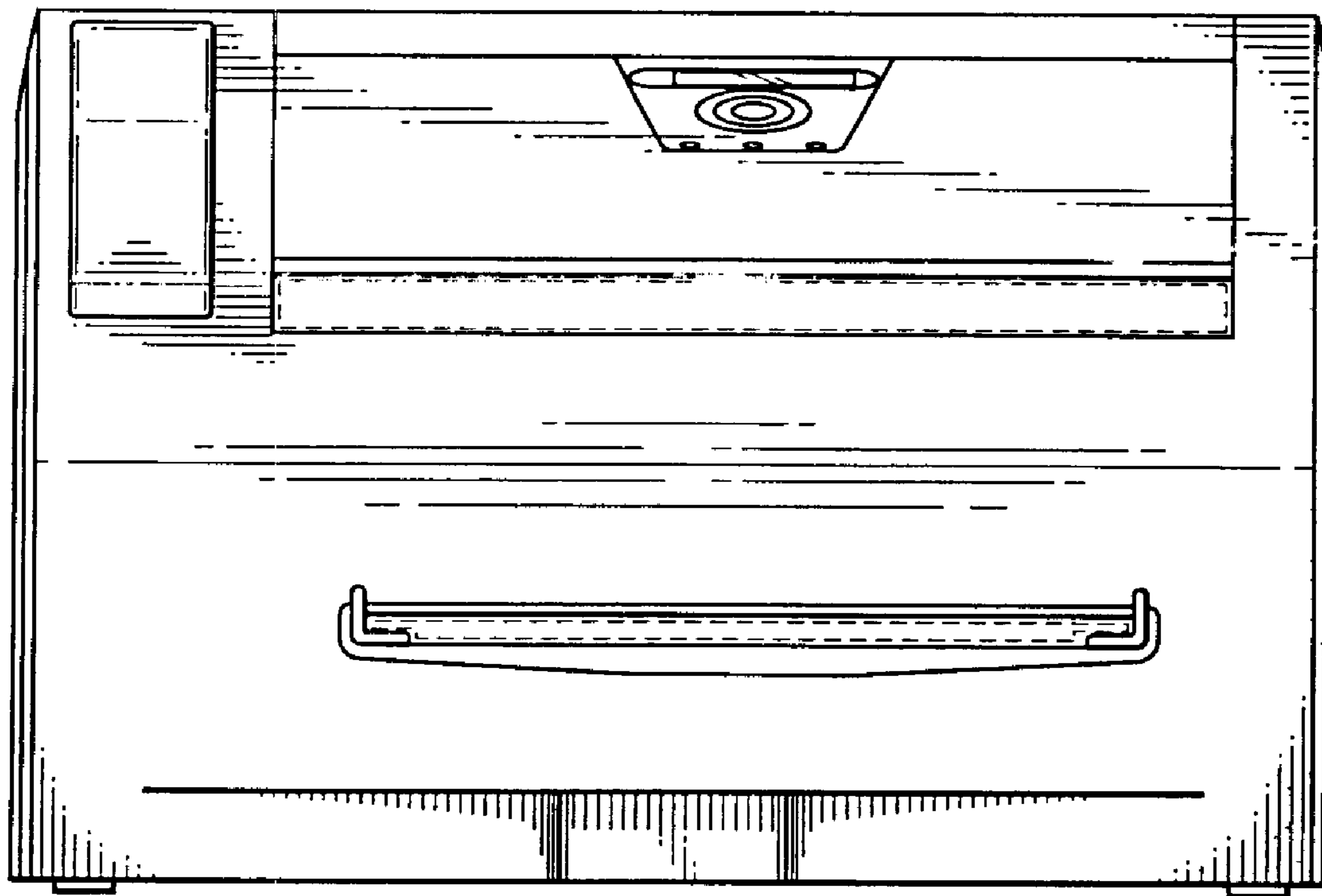
FIG. 1 is a front view of a facsimile machine;  
FIG. 2 is a rear view thereof;  
FIG. 3 is a left-side view thereof; and  
FIG. 4 is a right-side view thereof;  
FIG. 5 is a top view thereof;  
FIG. 6 is a bottom view thereof; and,  
FIG. 7 is a perspective view thereof.  
The broken line showing is for illustrative purposes only and does not form part of the claimed design.

(56) **References Cited**

**U.S. PATENT DOCUMENTS**

- D314,763 S \* 2/1991 Chang et al. .... D14/467
- D331,403 S \* 12/1992 Yoshihara ..... D14/467
- 5,172,243 A \* 12/1992 Hayashi et al. .... 358/400

**1 Claim, 5 Drawing Sheets**



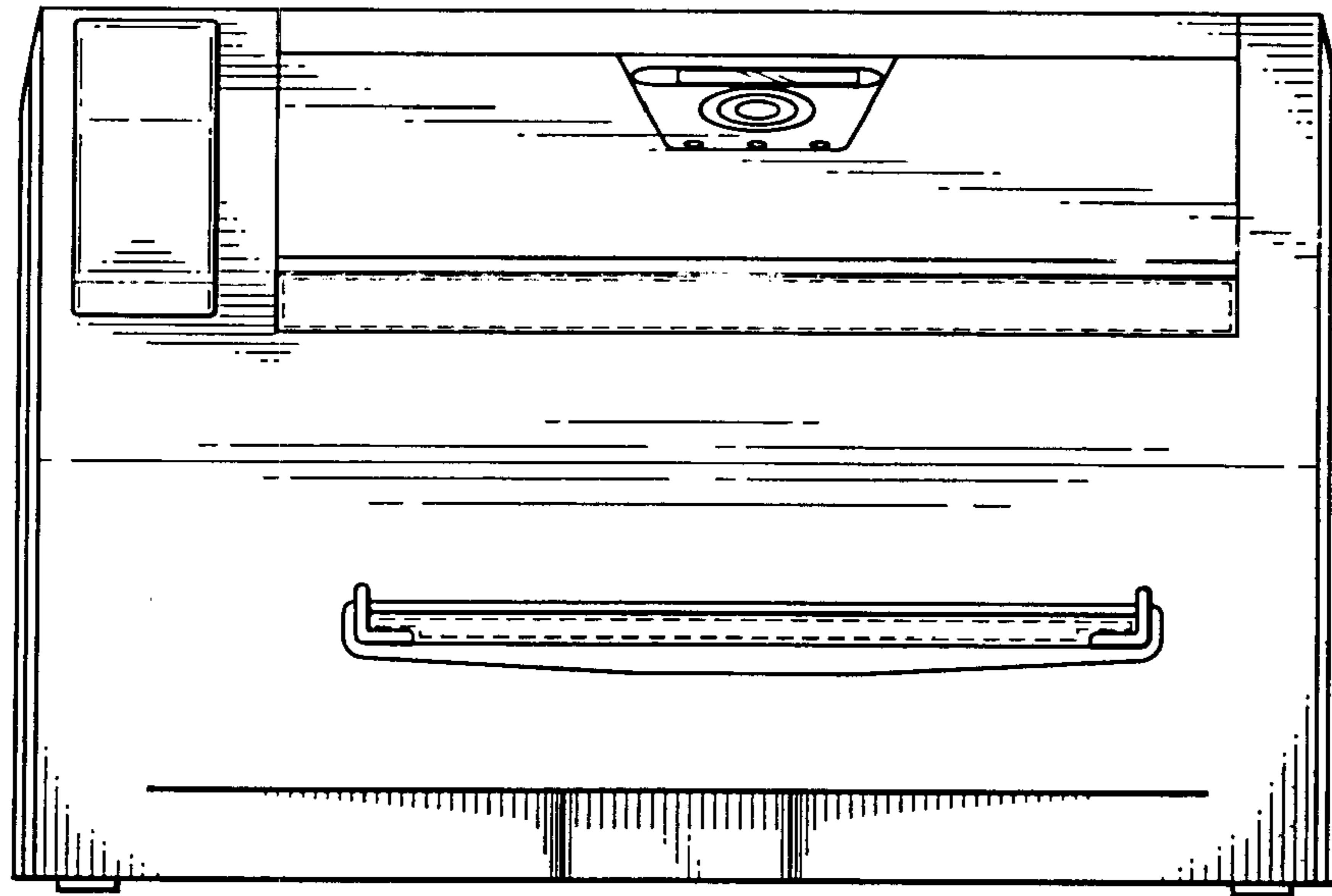


FIG. 1

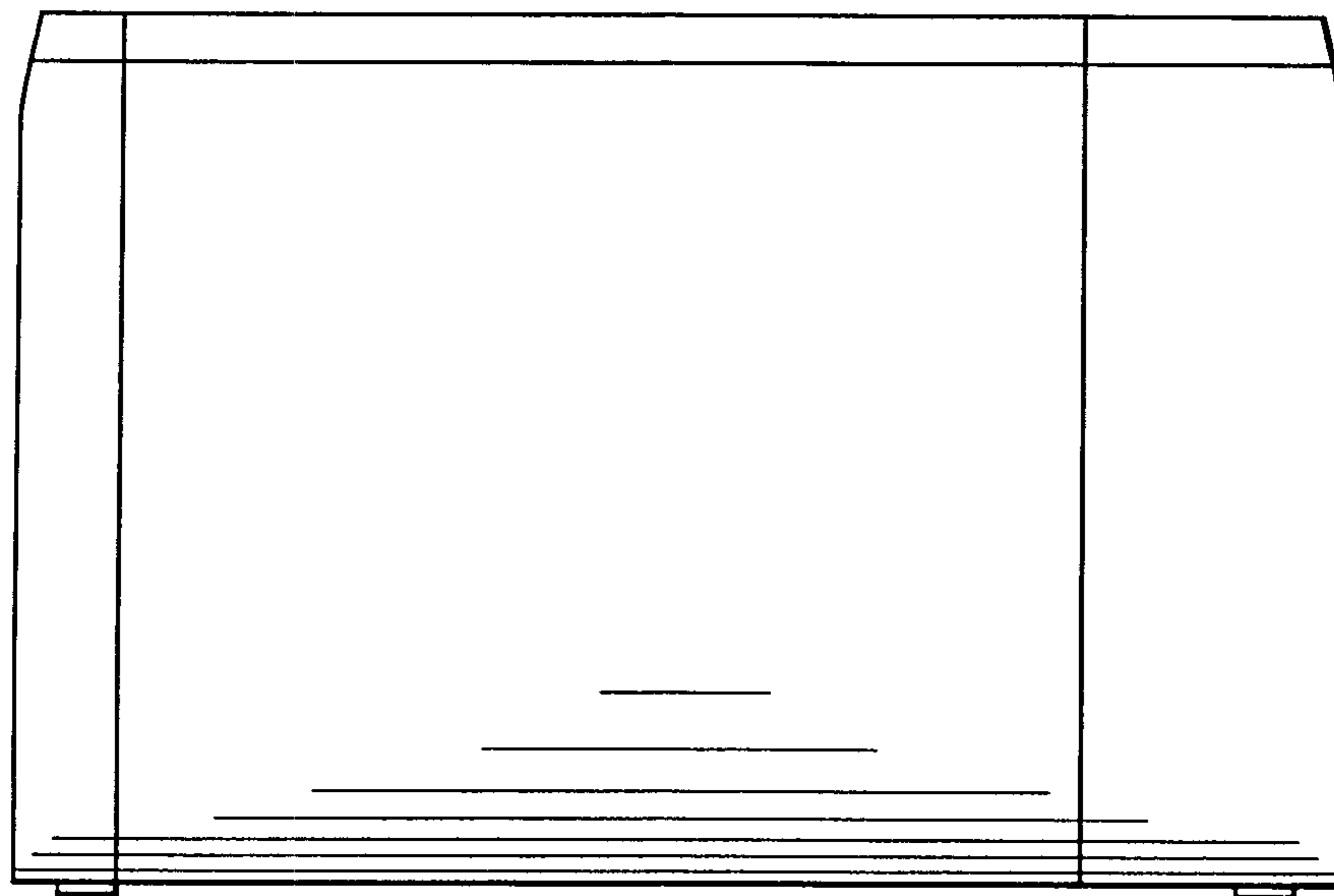


FIG. 2

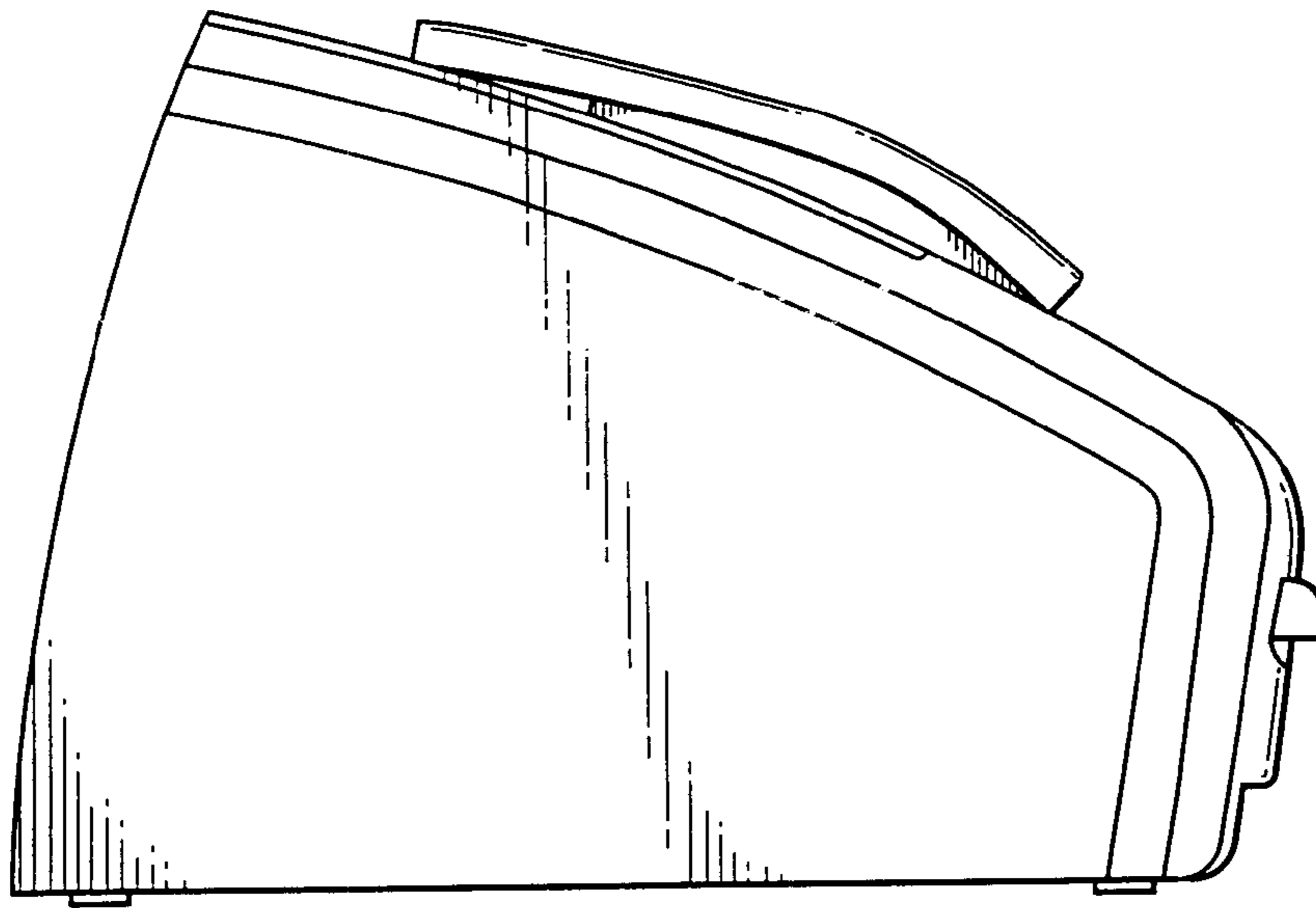


FIG. 3

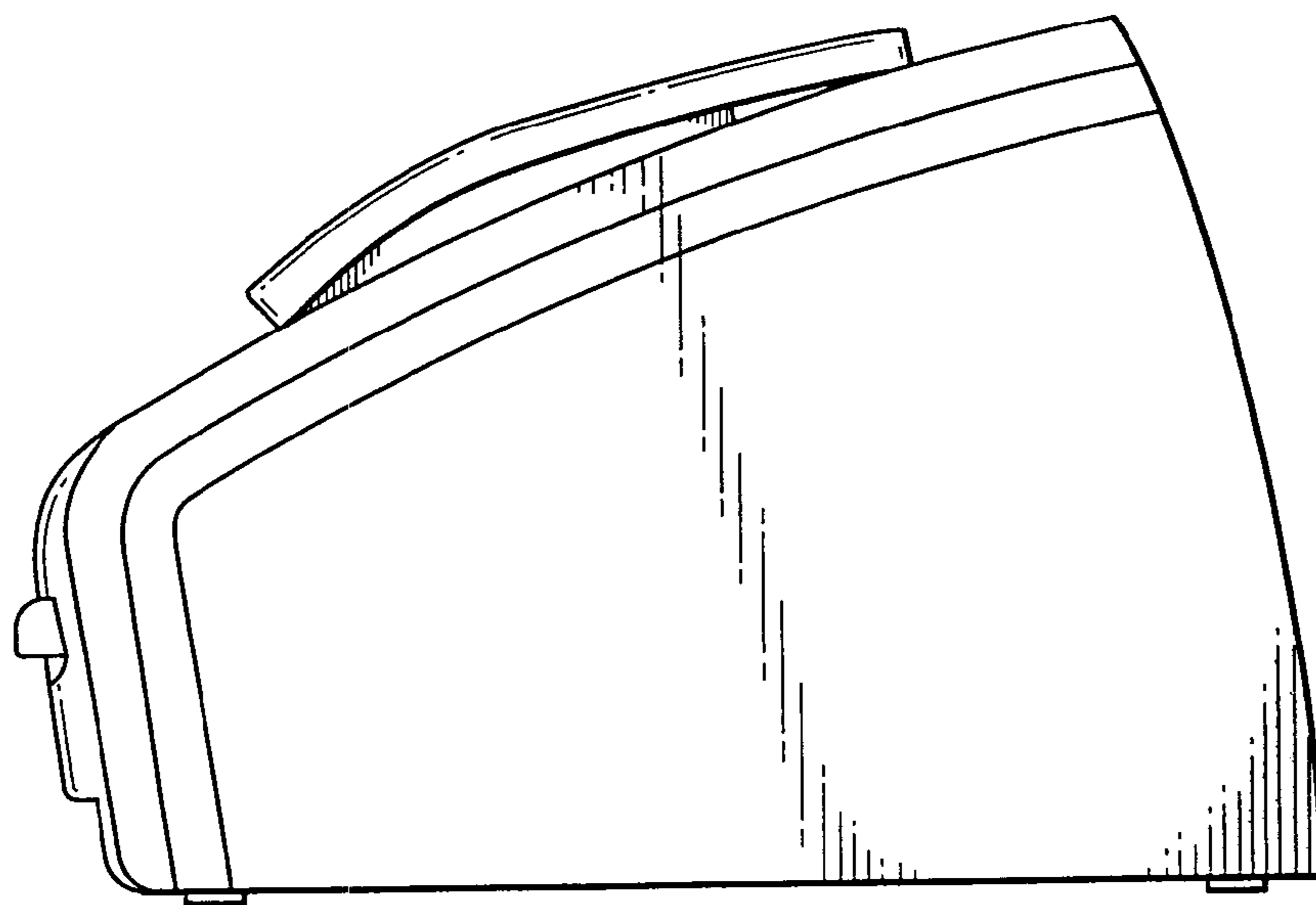


FIG. 4

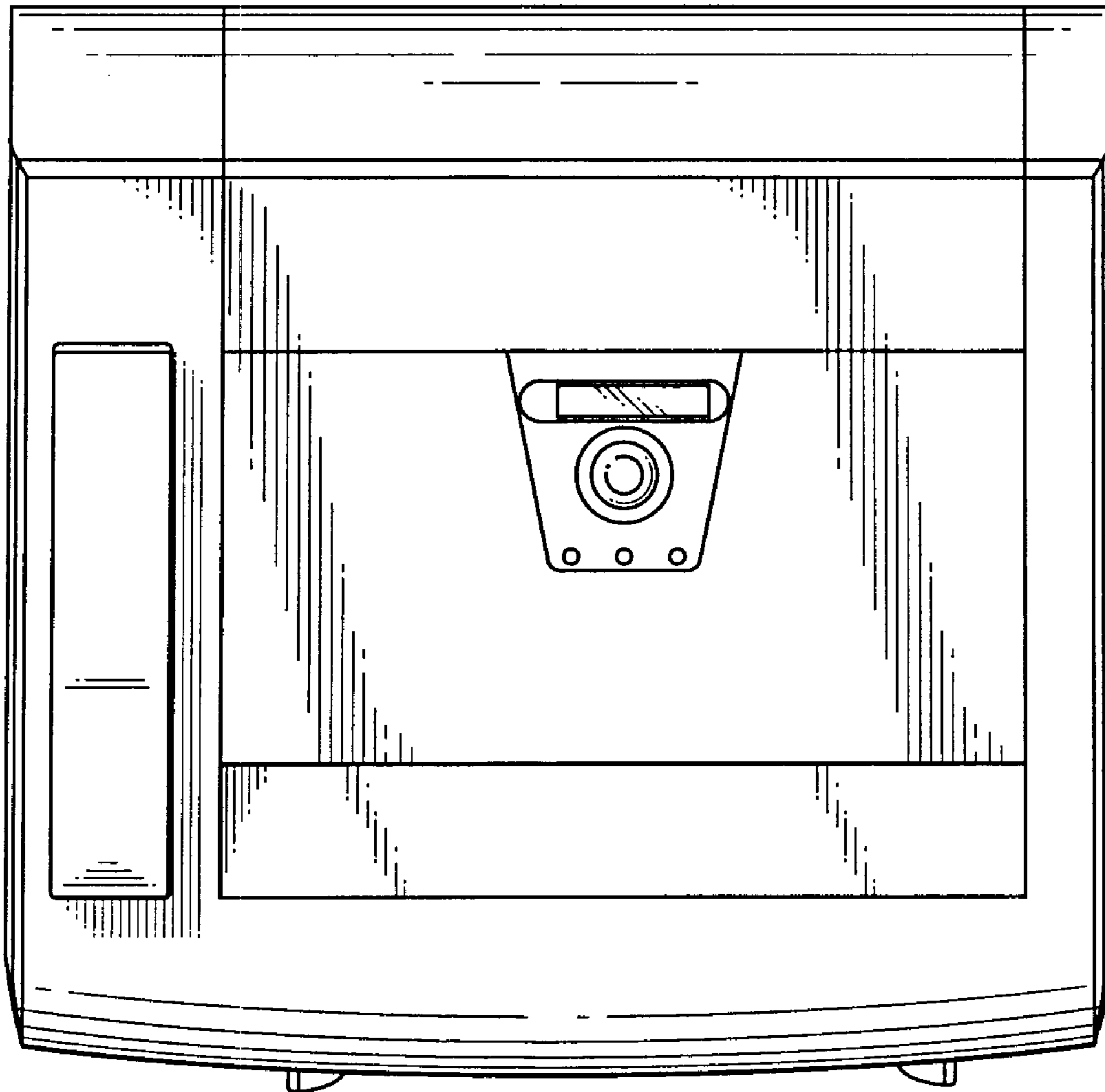


FIG. 5

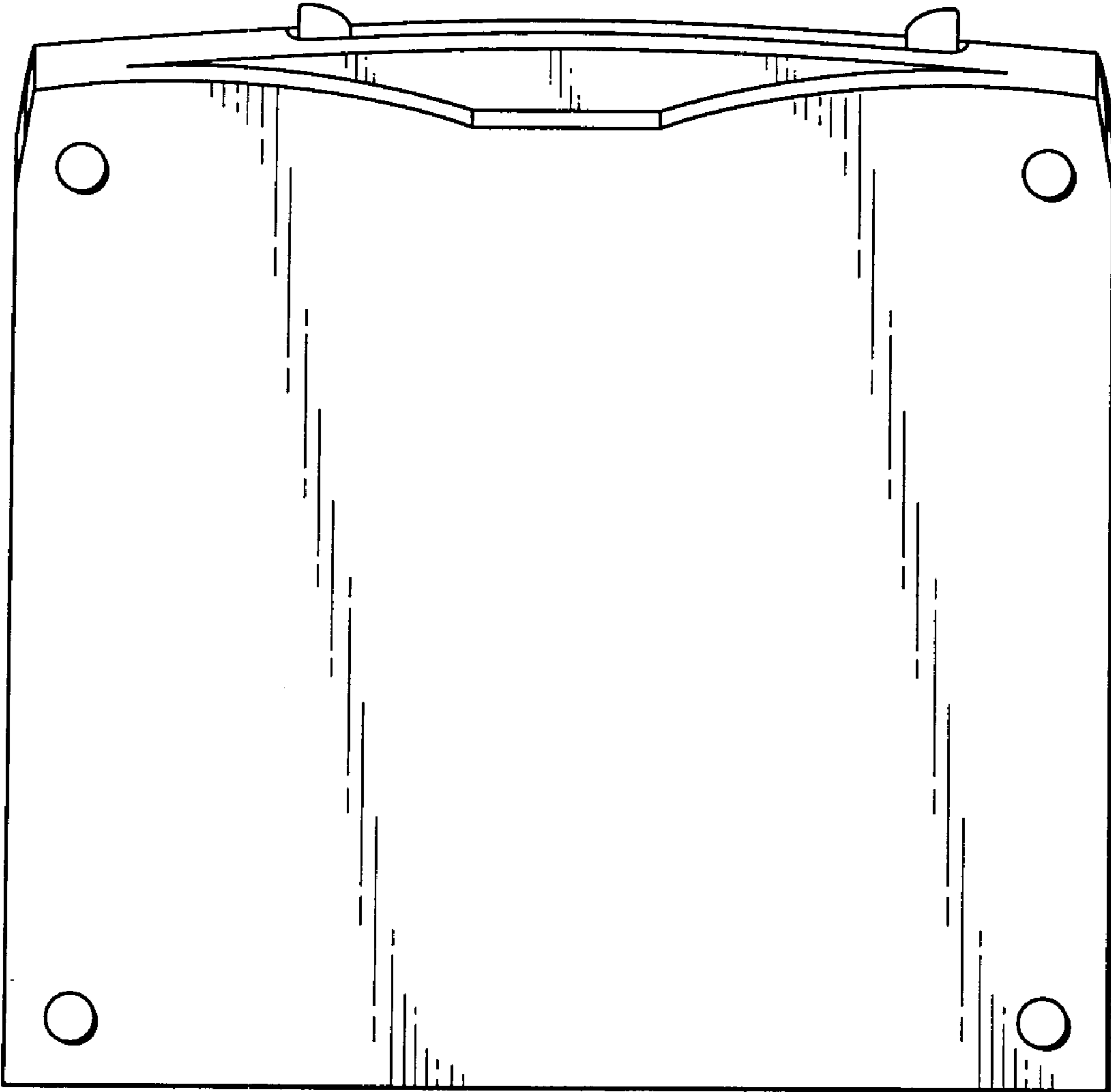


FIG. 6

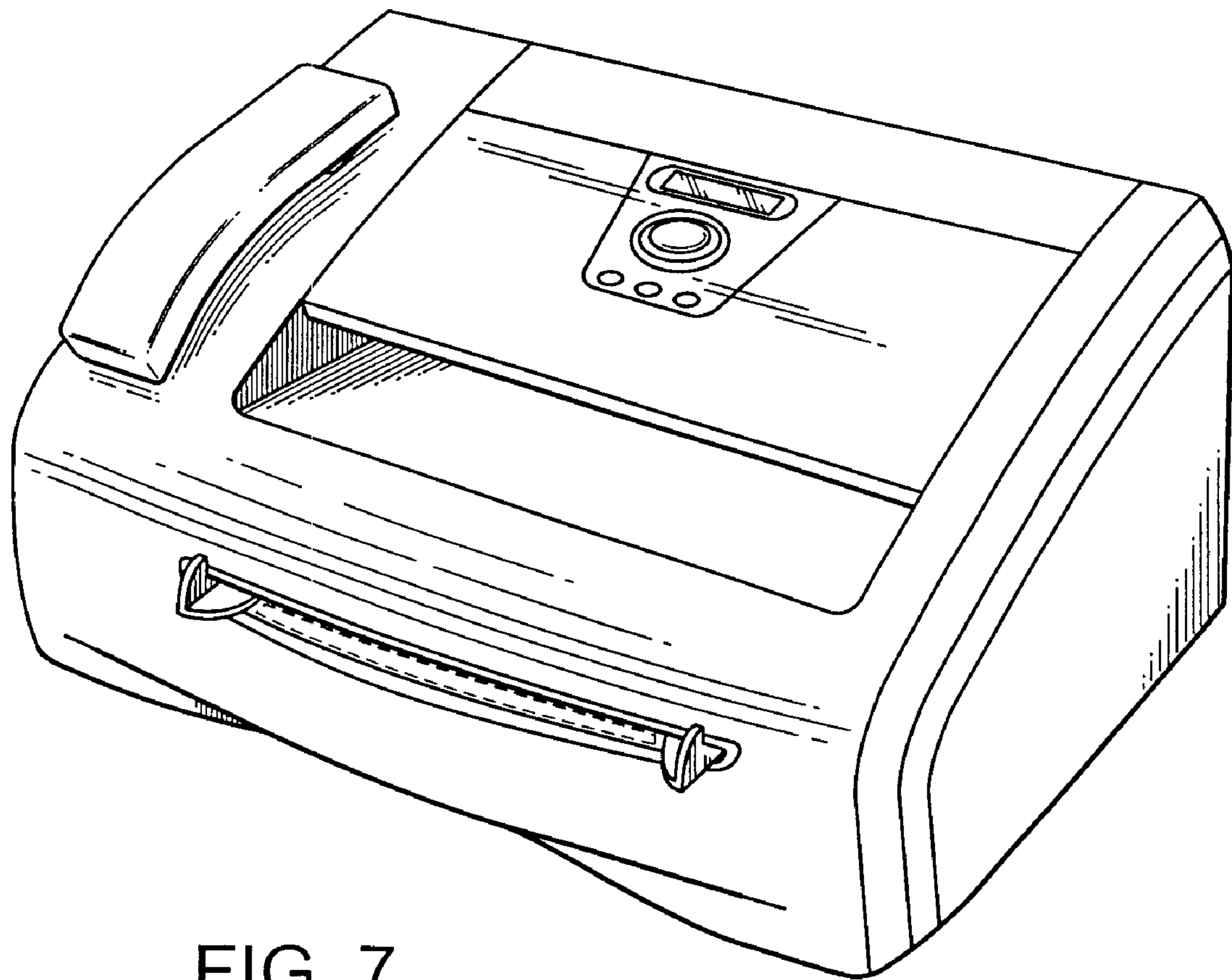


FIG. 7