



US00D504436S

(12) **United States Design Patent**  
**Chen et al.**

(10) **Patent No.:** **US D504,436 S**  
(45) **Date of Patent:** **\*\* Apr. 26, 2005**

(54) **FACE PLATE FOR COMPUTER HOUSING**

D485,842 S \* 1/2004 Dearborn et al. .... D14/432

(75) Inventors: **Fang-Hsuan Chen**, Taipei (TW);  
**Huang-Yao Hsu**, Taipei (TW)

\* cited by examiner

*Primary Examiner*—Freda S. Nunn

(73) Assignee: **Shuttle Inc.**, Taipei (TW)

(57) **CLAIM**

(\*\*) Term: **14 Years**

The ornamental design for a face plate for computer housing, as shown and described.

(21) Appl. No.: **29/206,251**

**DESCRIPTION**

(22) Filed: **May 28, 2004**

(51) **LOC (7) Cl.** ..... **14-02**

(52) **U.S. Cl.** ..... **D14/441**

(58) **Field of Search** ..... D14/441-446,  
D14/432; D13/162, 184, 199; 312/223.2;  
360/99.01-99.12; 361/680-686, 690-696;  
369/34.01, 36.01

FIG. 1 is a perspective view of a face plate for computer housing showing my new design;  
FIG. 2 is a front view thereof;  
FIG. 3 is a rear view thereof;  
FIG. 4 is a left side view thereof;  
FIG. 5 is a right side view thereof;  
FIG. 6 is a top view thereof;  
FIG. 7 is a bottom view thereof; and,  
FIG. 8 is a perspective view showing the face plate for computer housing in use.

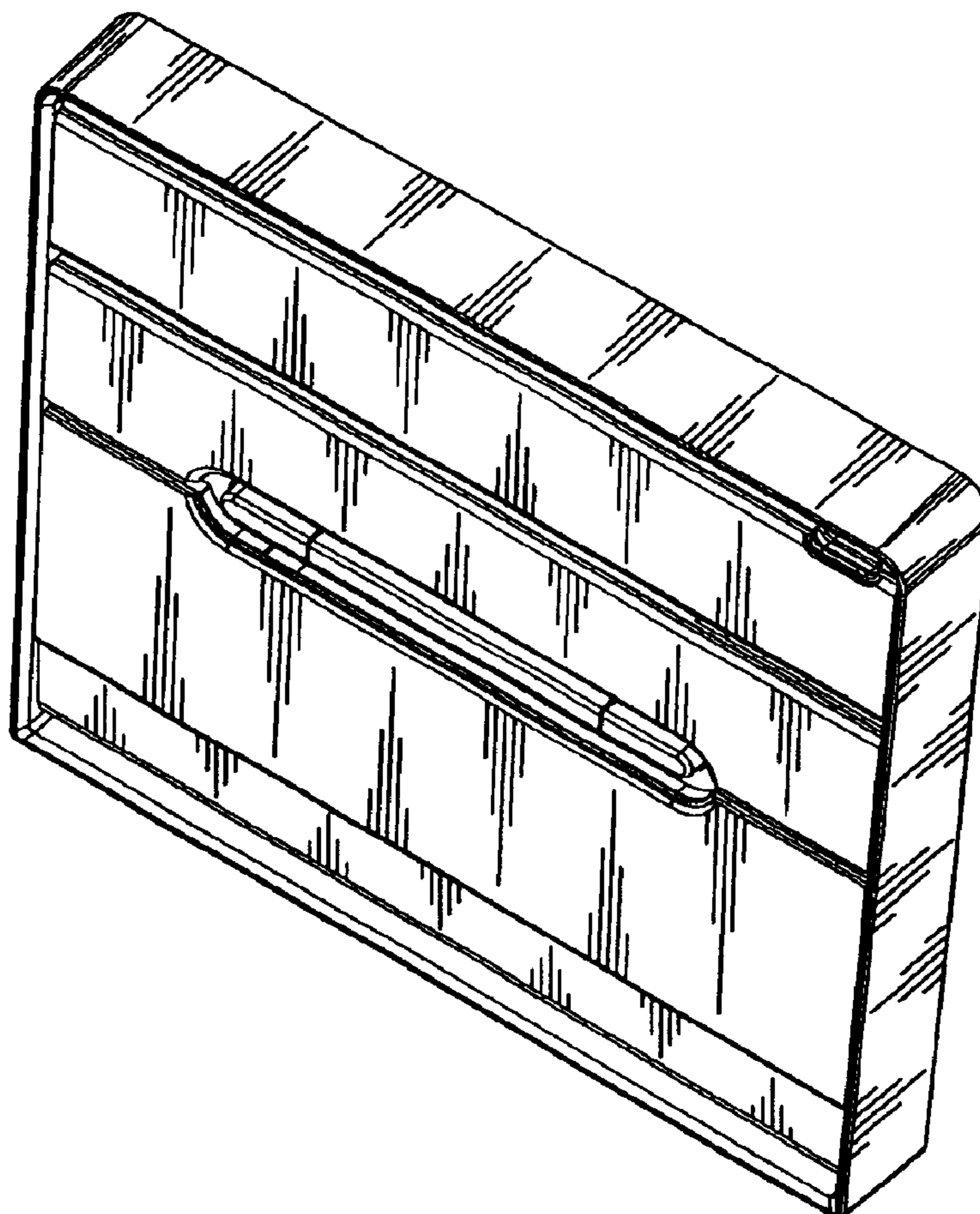
The broken line environmental showing is for illustrative purpose only and forms no part of the claimed design.

(56) **References Cited**

**U.S. PATENT DOCUMENTS**

D360,411 S \* 7/1995 Sharp et al. .... D14/445

**1 Claim, 6 Drawing Sheets**



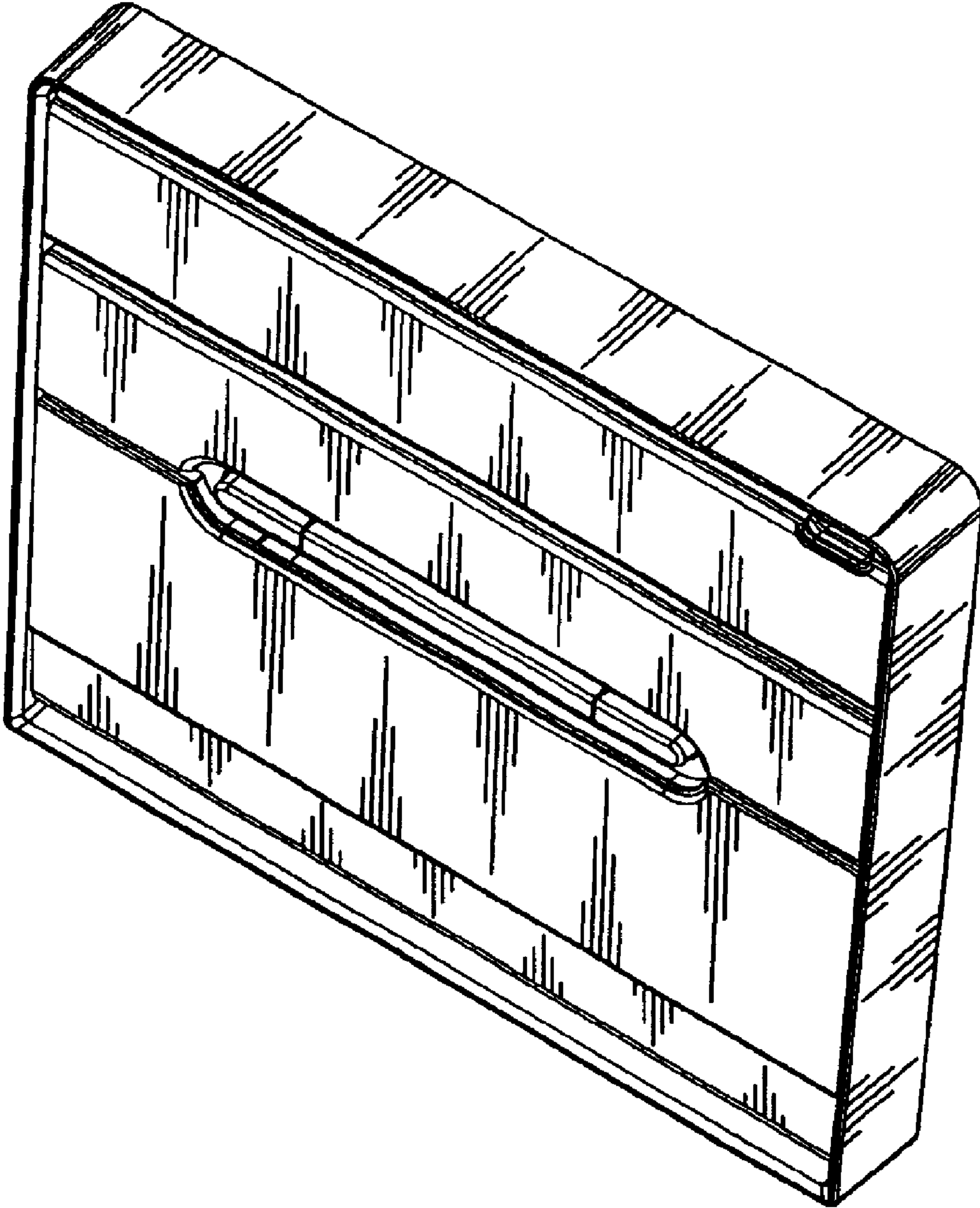


FIG. 1

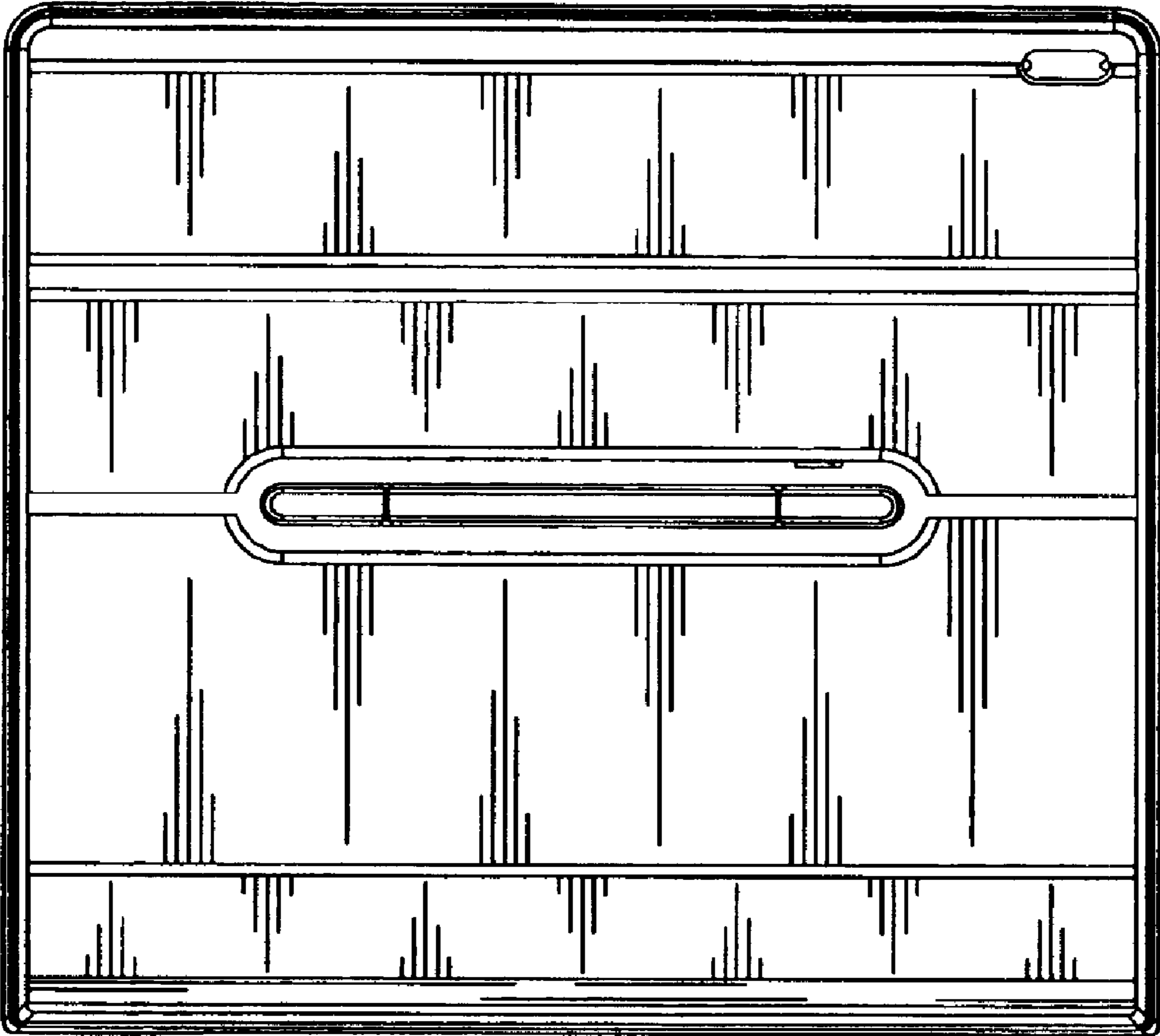


FIG. 2

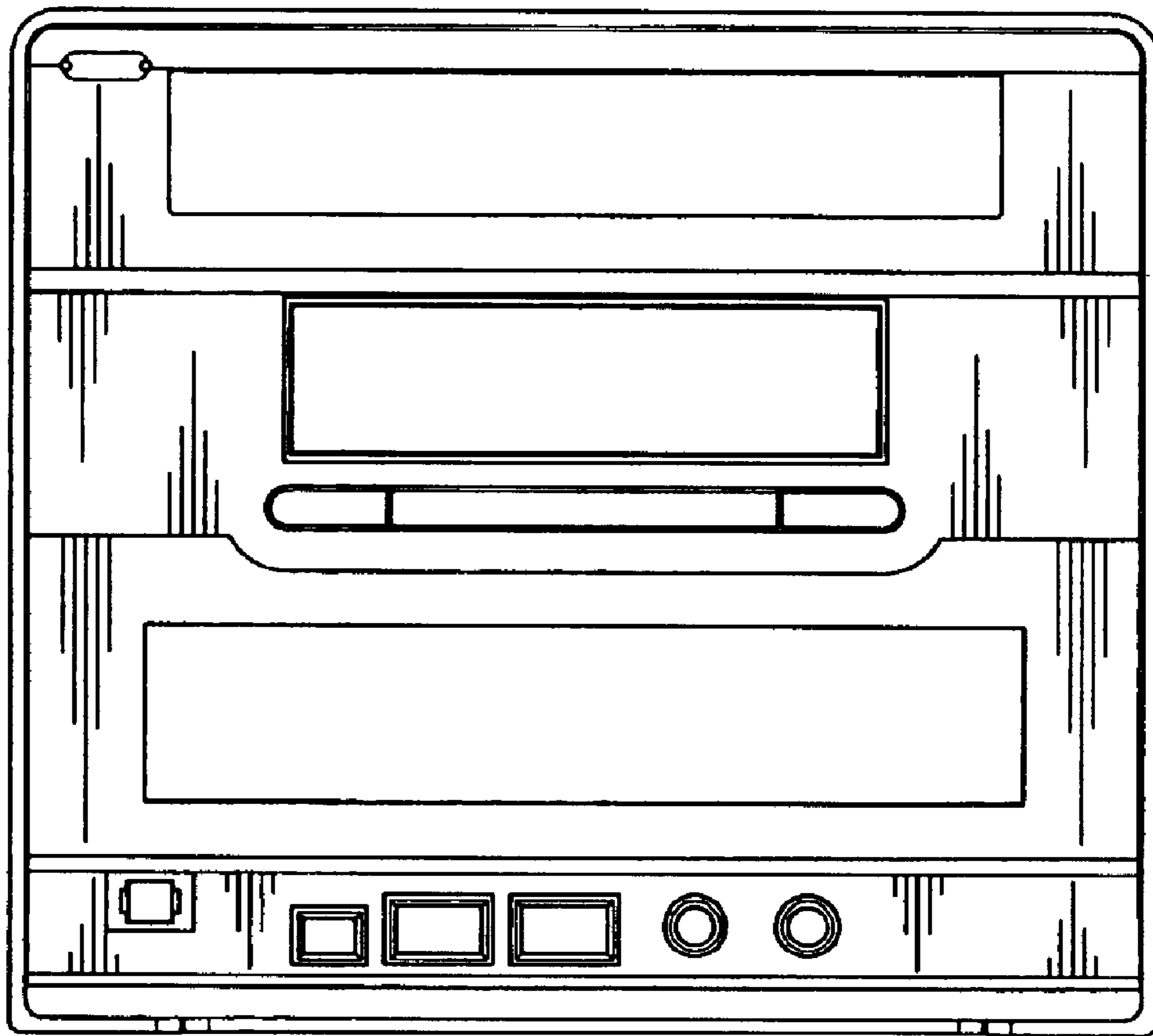


FIG. 3



FIG. 4



FIG. 5

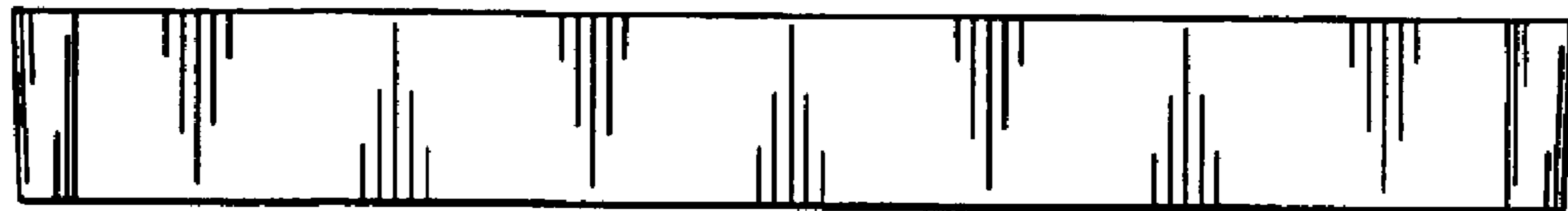


FIG. 6

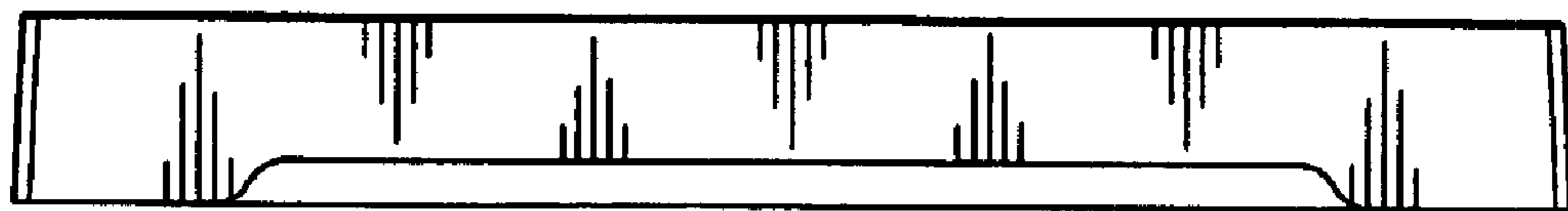


FIG. 7

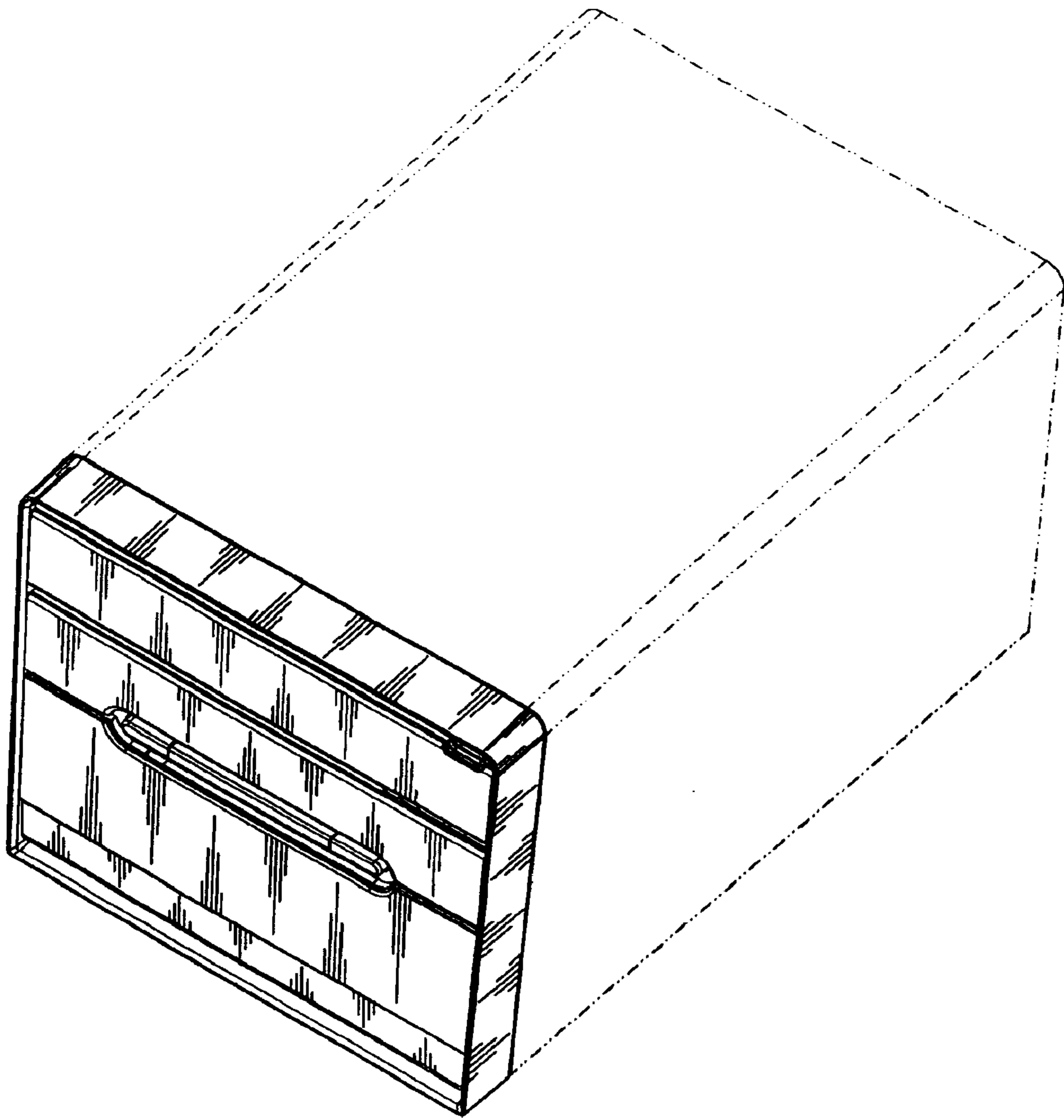


FIG. 8