

US00D504434S

(12) **United States Design Patent**
Katayanagi

(10) **Patent No.:** **US D504,434 S**

(45) **Date of Patent:** **** Apr. 26, 2005**

(54) **MEMORY CARD**

(75) **Inventor:** **Masayuki Katayanagi**, Tokyo (JP)

(73) **Assignee:** **Japan Aviation Electronics Industry, Limited**, Tokyo (JP)

(**) **Term:** **14 Years**

(21) **Appl. No.:** **29/205,918**

(22) **Filed:** **May 21, 2004**

(30) **Foreign Application Priority Data**

Nov. 25, 2003 (JP) 2003-038868

(51) **LOC (7) Cl.** **14-02**

(52) **U.S. Cl.** **D14/436**

(58) **Field of Search** D14/435-8, 478-80;
361/736-7, 686, 752; 257/678-9; 40/124.01;
283/75-6, 901; 235/487-95, 441-3, 375;
439/135, 140, 76.1; D8/347

(56) **References Cited**

U.S. PATENT DOCUMENTS

- D355,412 S * 2/1995 Rak et al. D14/242
- D415,479 S * 10/1999 Yang et al. D14/436
- D425,045 S * 5/2000 Ting D14/438

- D431,035 S * 9/2000 Lehtomaki D14/242
- D450,708 S * 11/2001 Hsu D14/435
- D452,494 S * 12/2001 Sodling D14/242
- D486,482 S * 2/2004 Huang D14/436
- D498,759 S * 11/2004 Lewis et al. D14/242

* cited by examiner

Primary Examiner—M. H. Tung

(74) *Attorney, Agent, or Firm*—Collard & Roe, P.C.

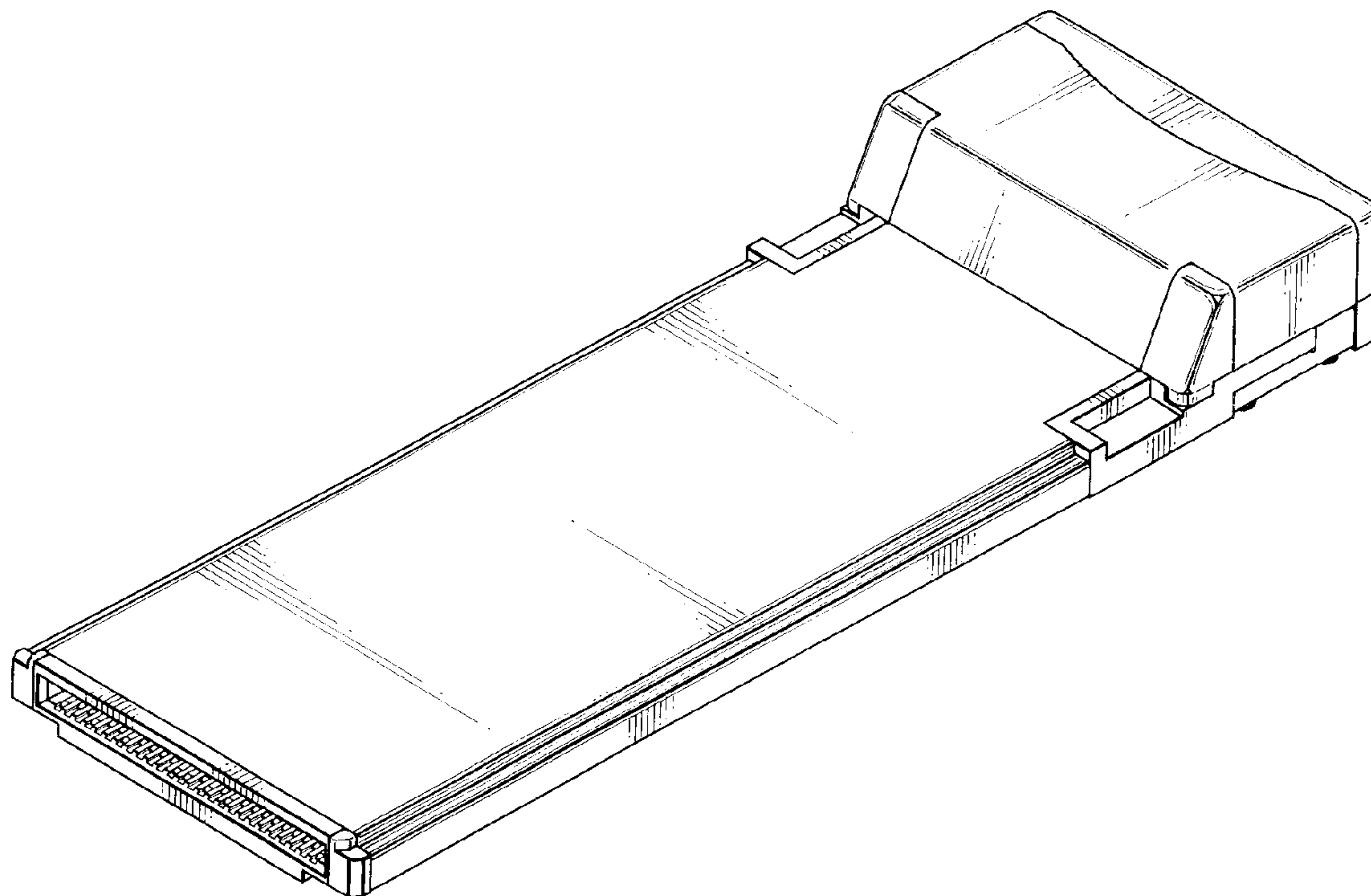
(57) **CLAIM**

The ornamental design for a memory card, as shown and described.

DESCRIPTION

FIG. 1 is a front elevational view of a memory card;
 FIG. 2 is a top plan view thereof;
 FIG. 3 is a bottom plan view thereof;
 FIG. 4 is a rear elevational view thereof;
 FIG. 5 is a right side elevational view thereof, the left side is a mirror image; and,
 FIG. 6 is a front, top, and right side perspective view thereof.
 A left side elevational view of the memory card is omitted because it is presented symmetrical to the right side elevational view of FIG. 5.

1 Claim, 3 Drawing Sheets



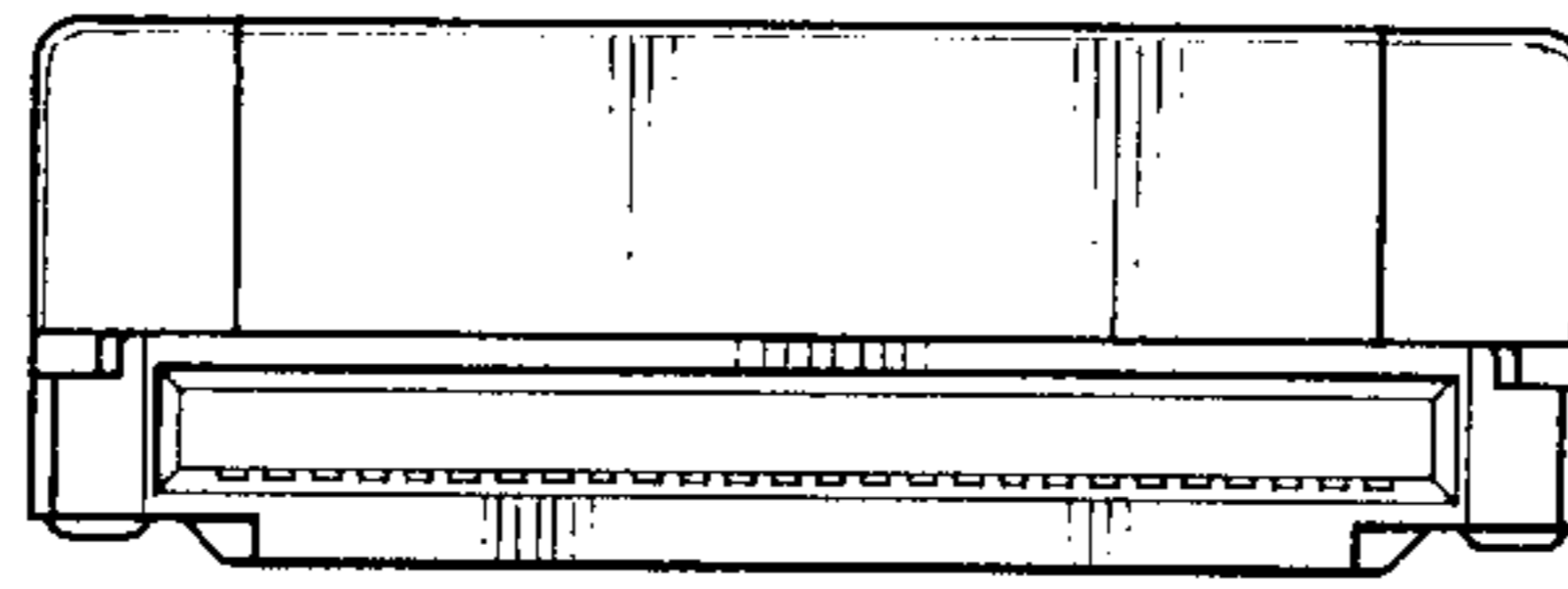


FIG. 1

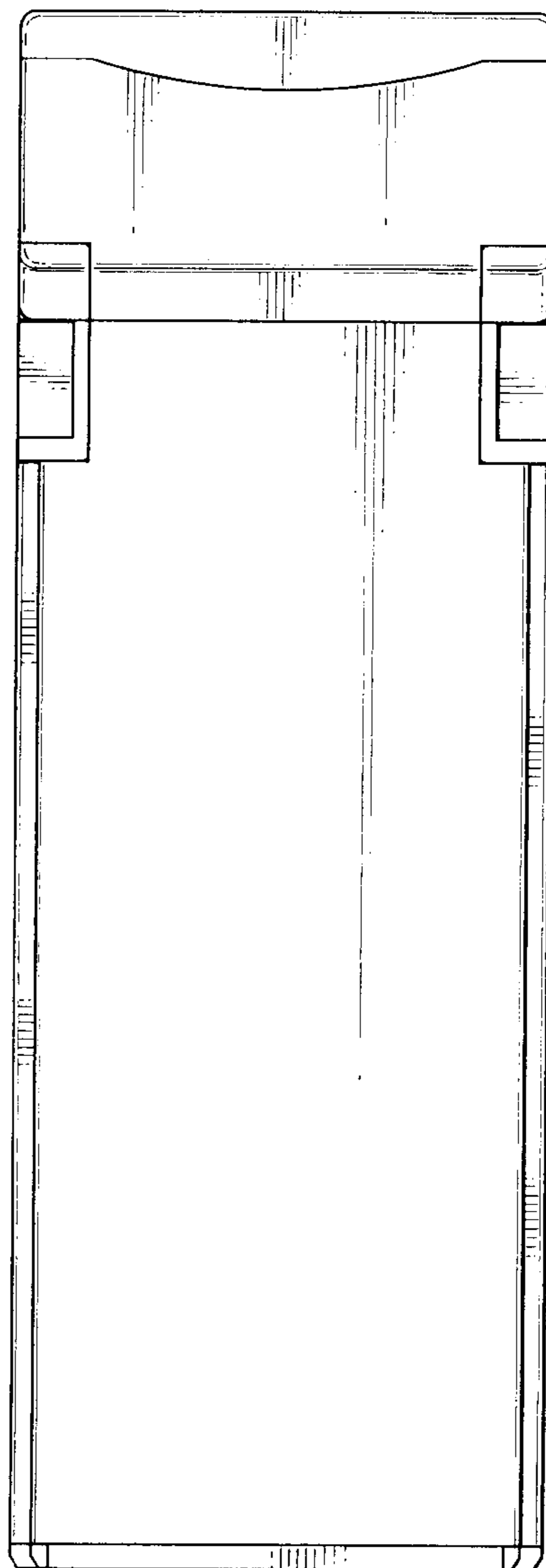


FIG. 2

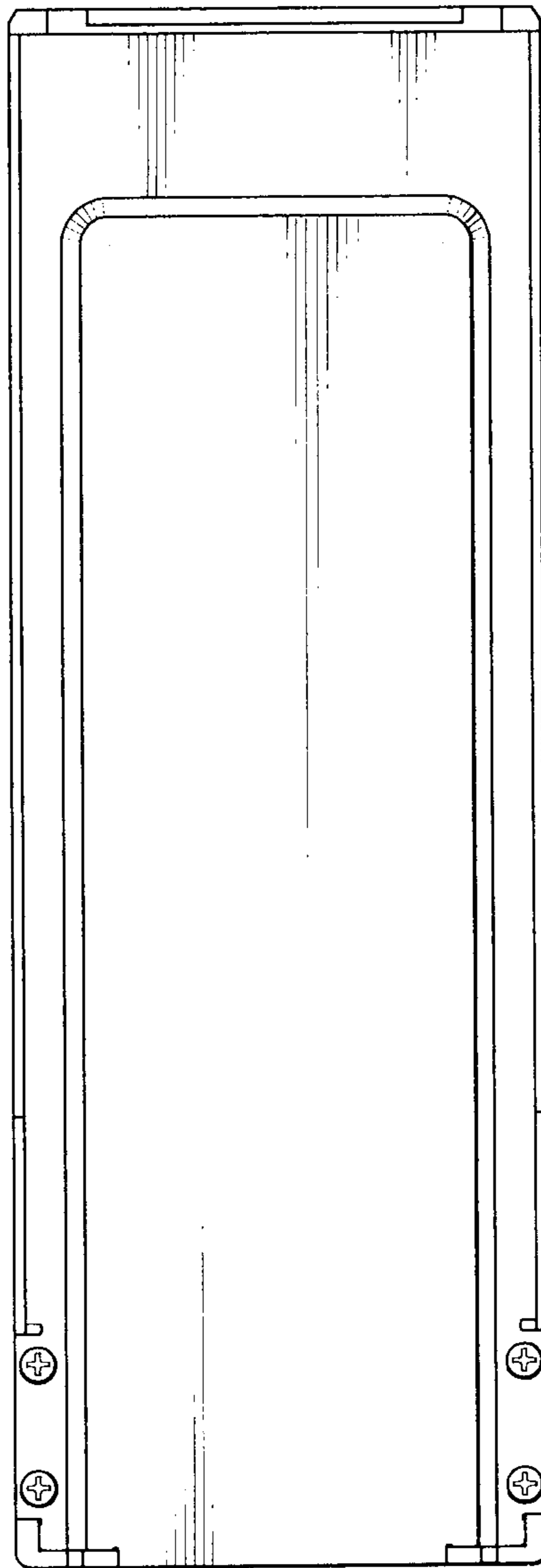


FIG. 3

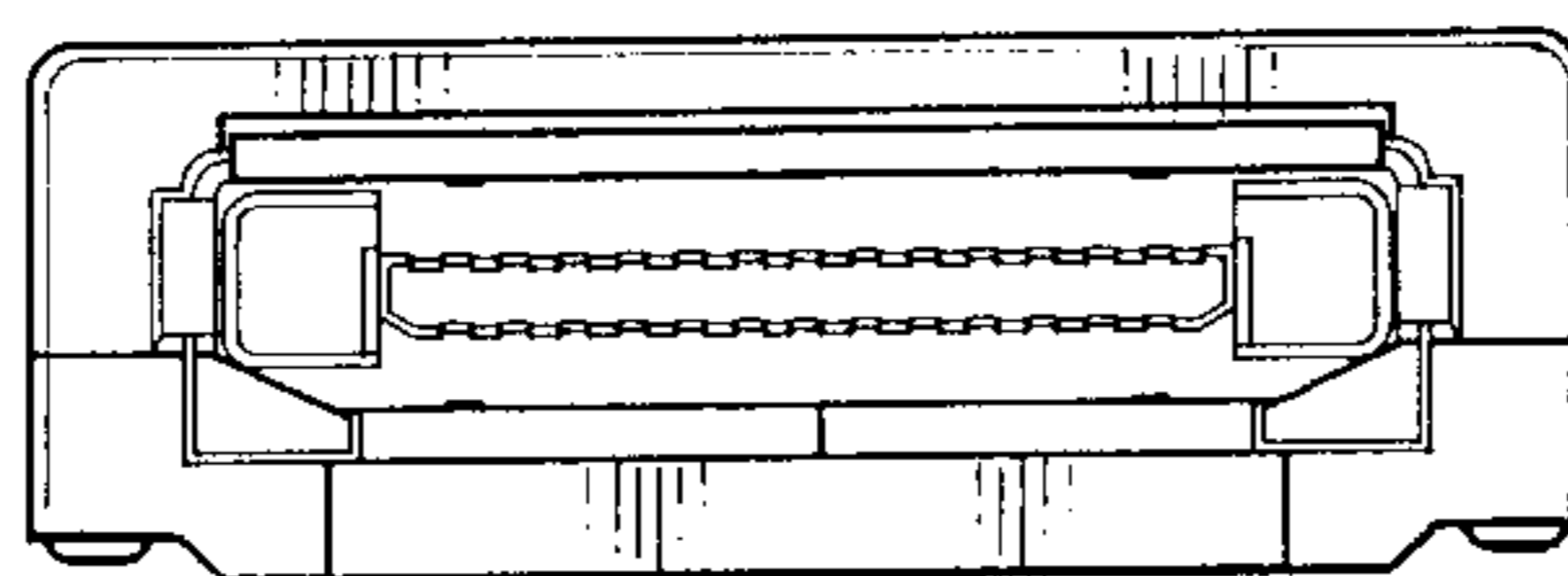


FIG. 4

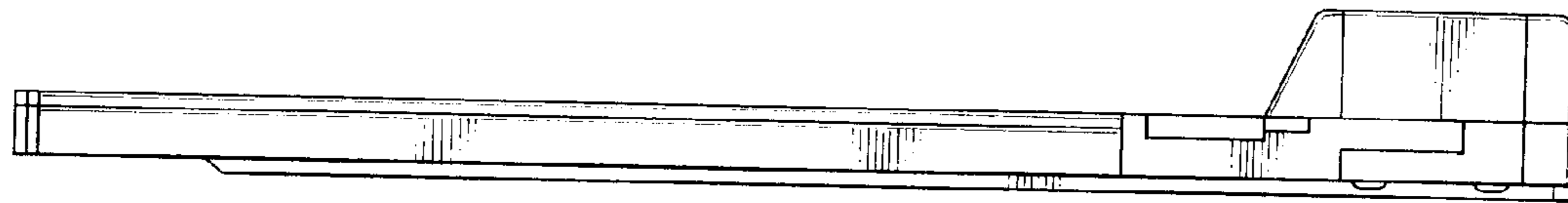


FIG. 5

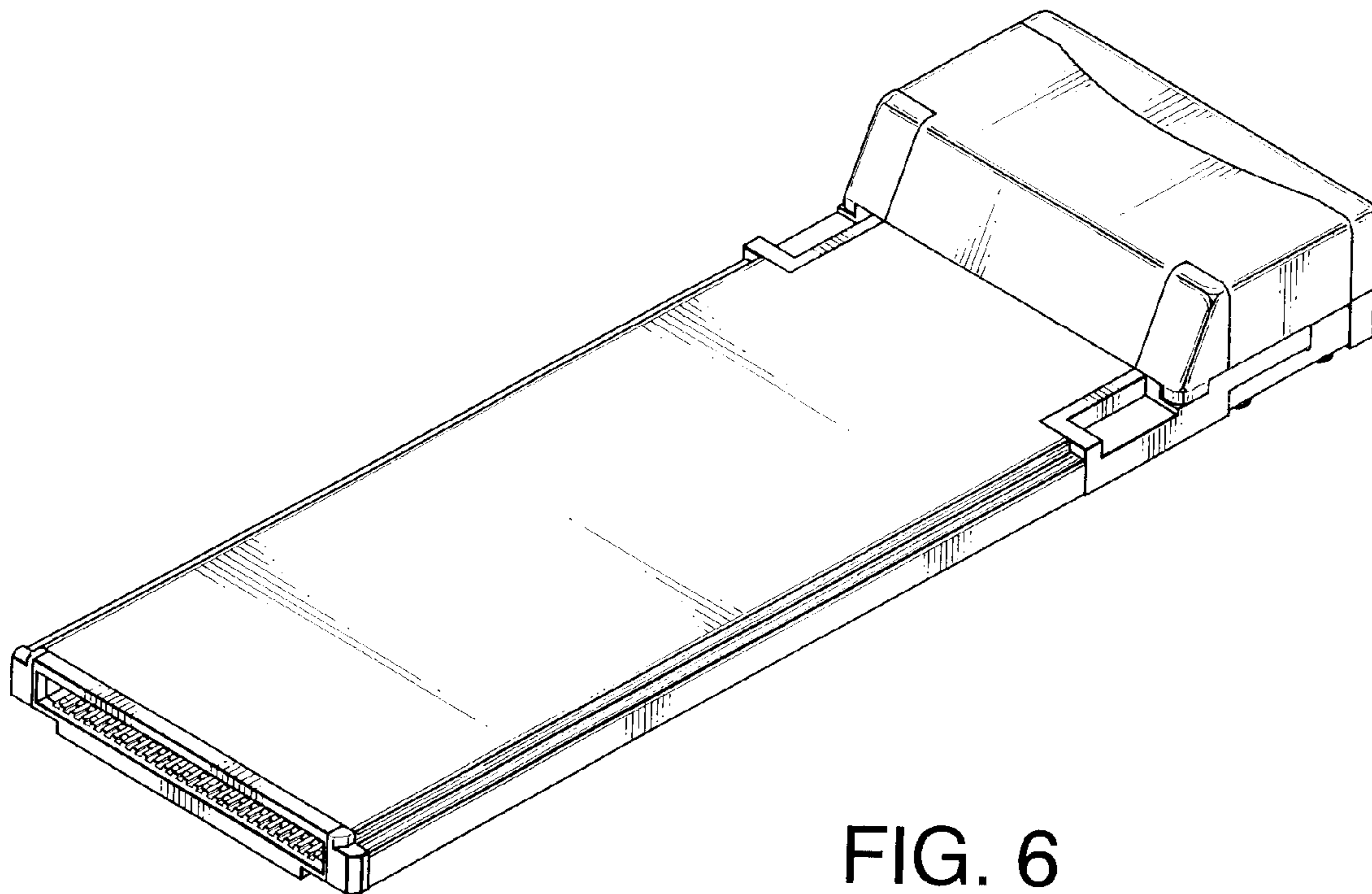


FIG. 6