

US00D504433S

(12) **United States Design Patent**  
**Nishizawa et al.**

(10) **Patent No.:** **US D504,433 S**

(45) **Date of Patent:** **\*\* Apr. 26, 2005**

(54) **MEMORY CARD**

(75) Inventors: **Hiroataka Nishizawa**, Fuchu (JP);  
**Akira Higuchi**, Kodaira (JP); **Kenji**  
**Osawa**, Hachioji (JP); **Junichiro**  
**Osako**, Kodaira (JP); **Tamaki Wada**,  
Higashimurayama (JP)

(73) Assignee: **Renesas Technology Corp.**, Tokyo (JP)

(\*\*) Term: **14 Years**

(21) Appl. No.: **29/203,748**

(22) Filed: **Apr. 20, 2004**

(30) **Foreign Application Priority Data**

Oct. 20, 2003 (JP) ..... 2003-030854

(51) **LOC (7) Cl.** ..... **14-02**

(52) **U.S. Cl.** ..... **D14/436**

(58) **Field of Search** ..... D14/435-8, 478-80;  
361/736-7, 686, 752; 257/678-9; 40/124.01;  
283/75-6, 901; 235/487-95, 441-3, 375;  
439/135, 140, 76.1; D8/347

(56) **References Cited**

**U.S. PATENT DOCUMENTS**

D382,868 S \* 8/1997 Ashida ..... D14/435

D383,732 S \* 9/1997 Haley et al. .... D14/435  
D479,845 S \* 9/2003 Taniguchi et al. .... D14/436  
D480,727 S \* 10/2003 Gargani et al. .... D14/437  
D487,747 S \* 3/2004 Yu et al. .... D14/436  
D493,798 S \* 8/2004 Yu et al. .... D14/436

\* cited by examiner

*Primary Examiner*—M. H. Tung

(74) *Attorney, Agent, or Firm*—Antonelli, Terry, Stout &  
Kraus, LLP

(57) **CLAIM**

The ornamental design for a memory card, as shown.

**DESCRIPTION**

FIG. 1 is a front, top and right side perspective view of a  
memory card showing our new design;

FIG. 2 is a top plan elevational view thereof;

FIG. 3 is a bottom plan elevational view thereof;

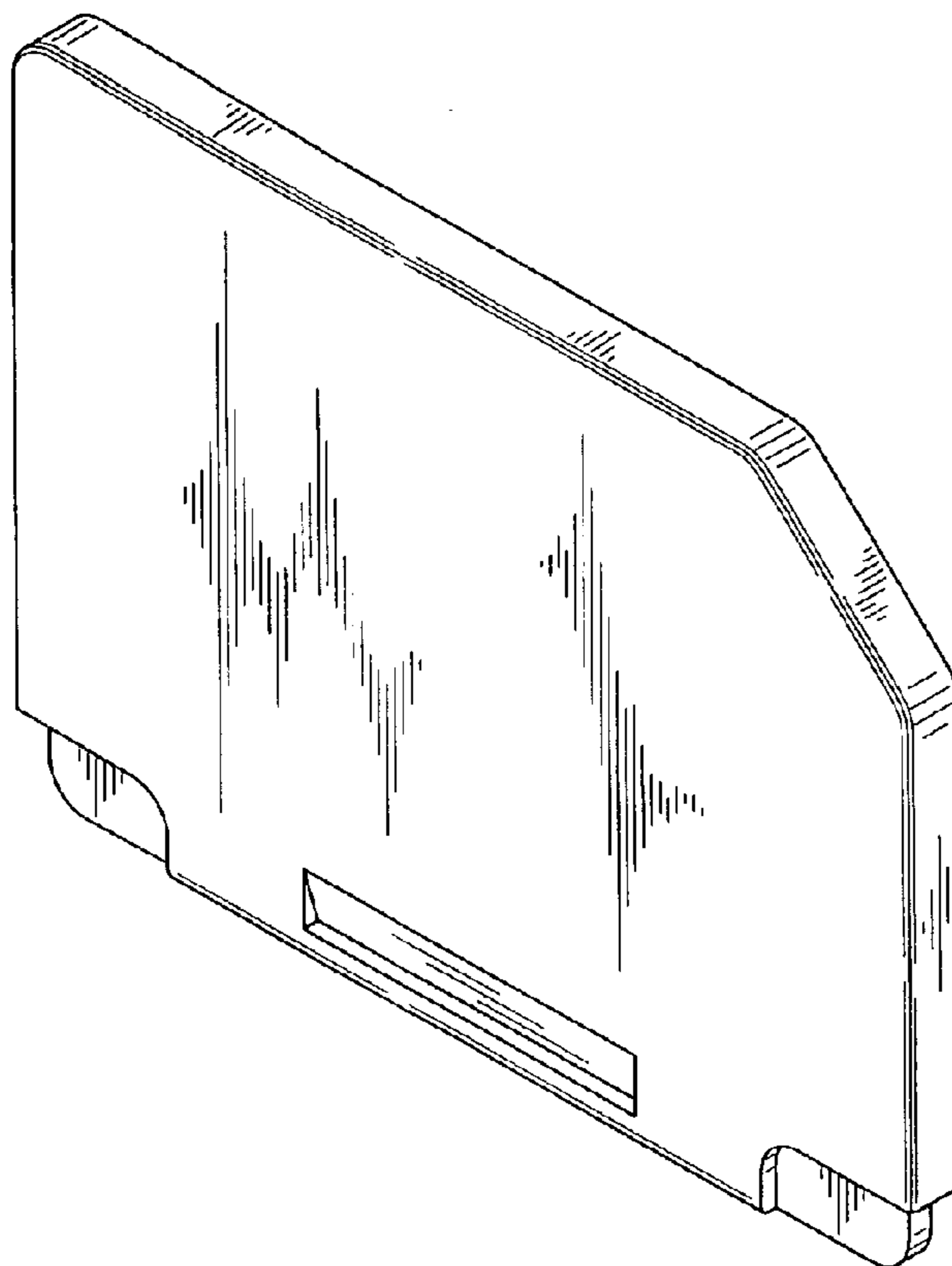
FIG. 4 is a front elevational view thereof;

FIG. 5 is a rear elevational view thereof;

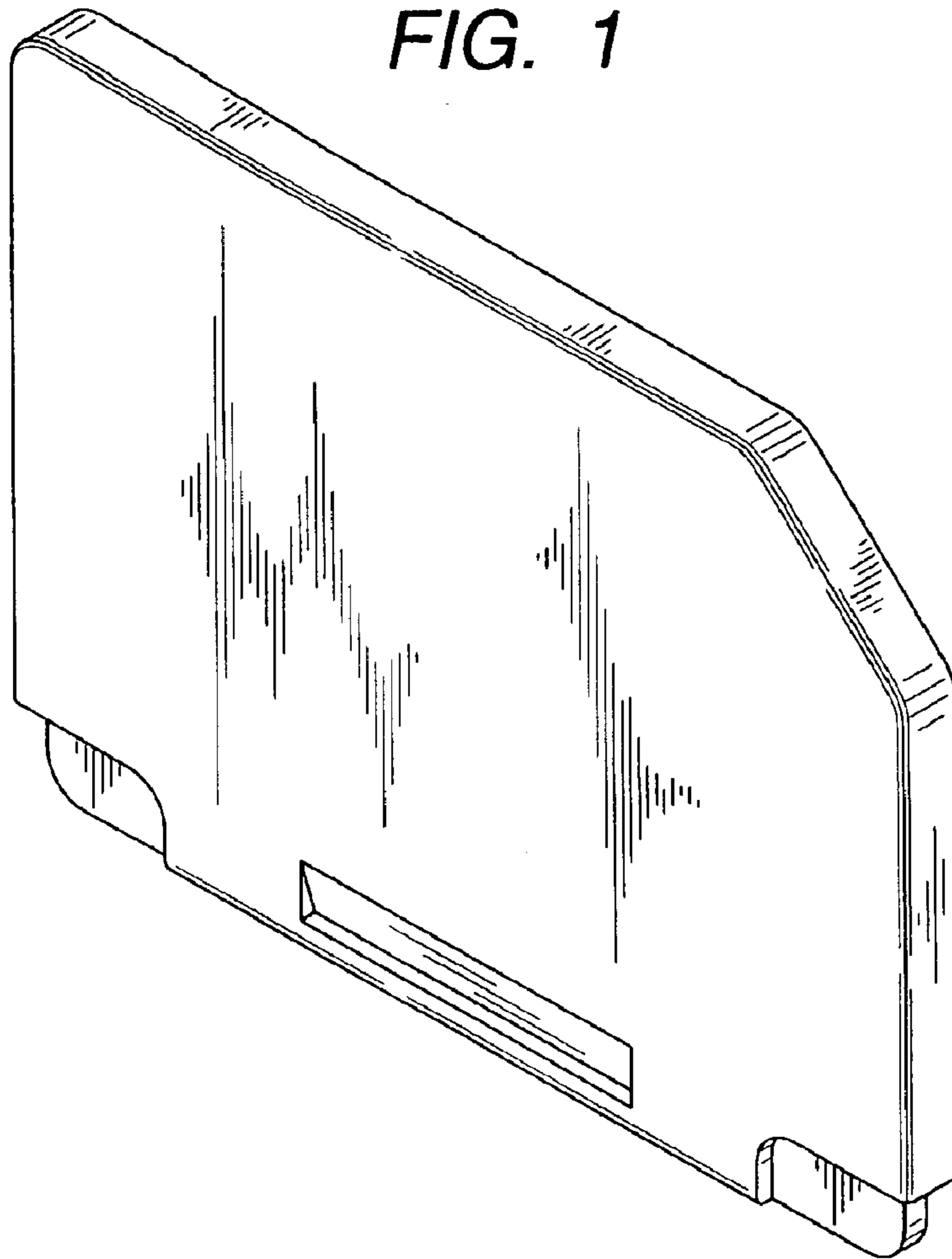
FIG. 6 is a left side elevational view thereof; and,

FIG. 7 is a right side elevational view thereof.

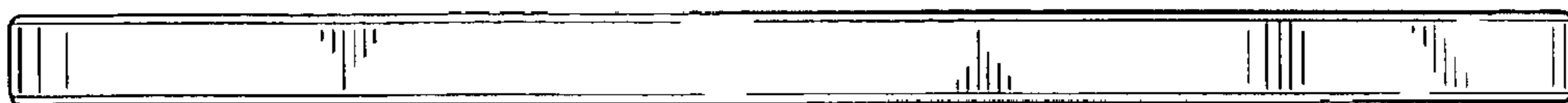
**1 Claim, 3 Drawing Sheets**



*FIG. 1*



*FIG. 2*



*FIG. 3*

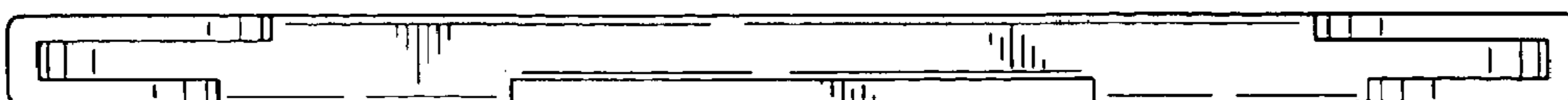


FIG. 4

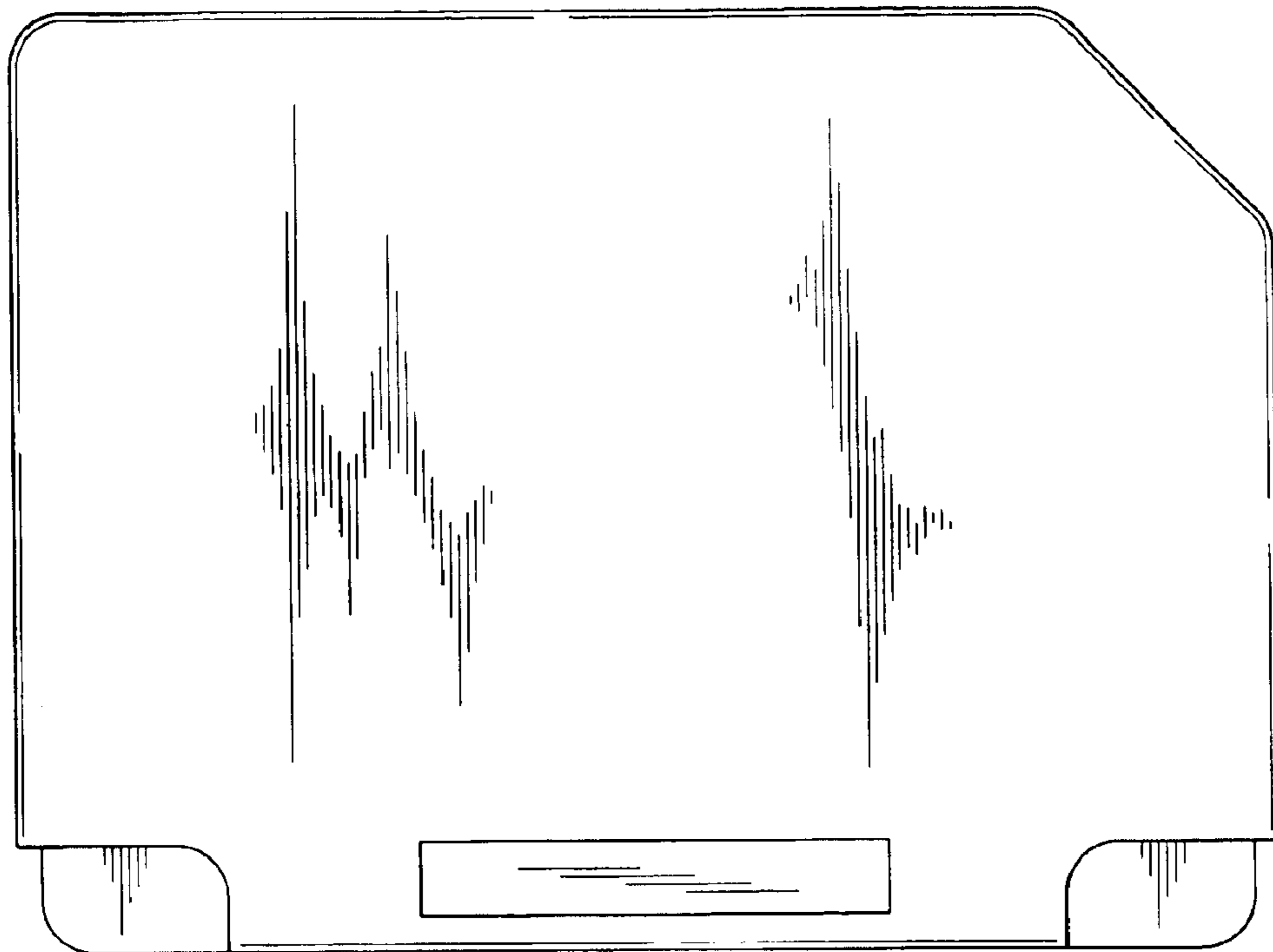
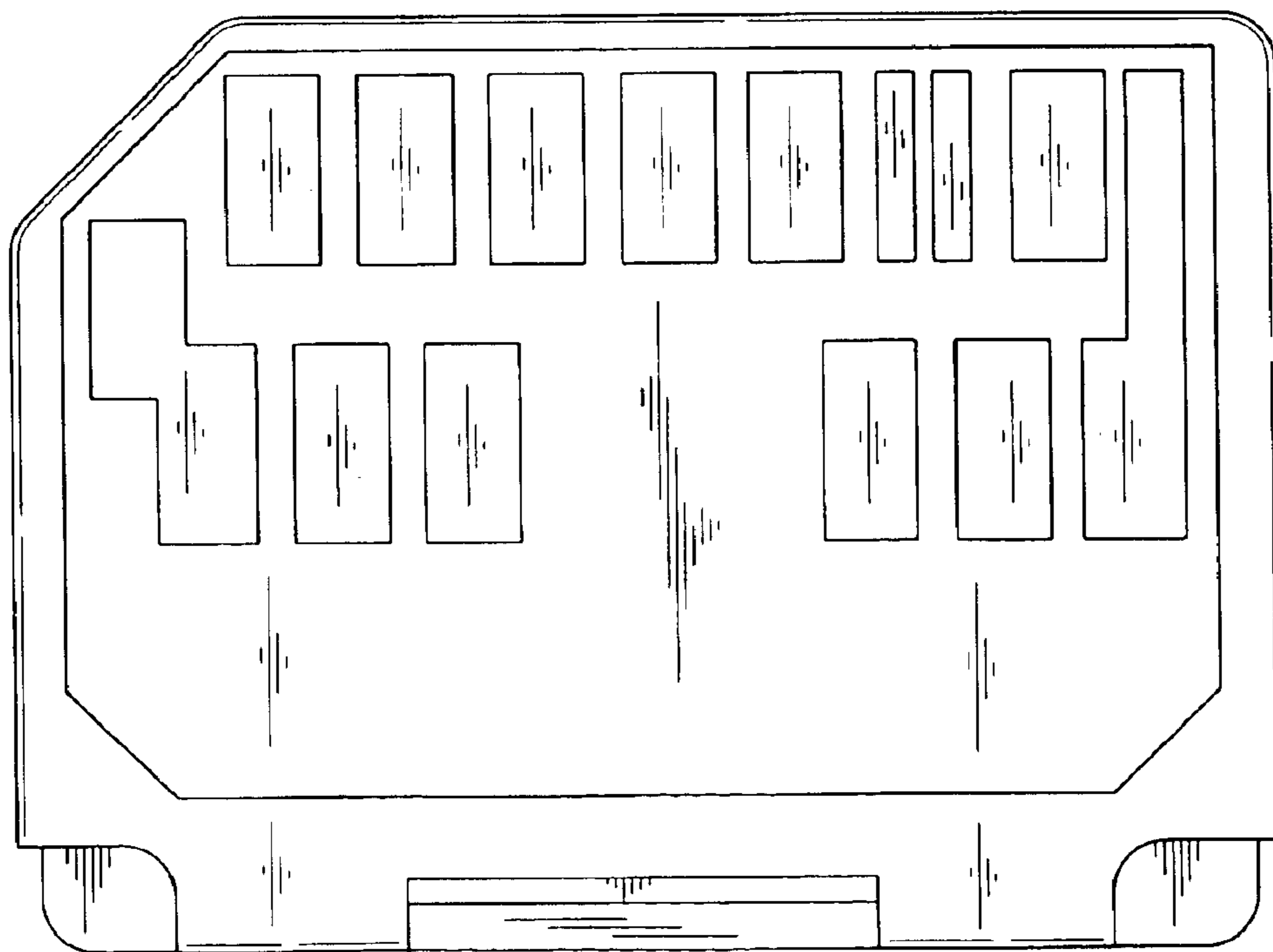


FIG. 5



*FIG. 6*



*FIG. 7*

