

US00D504430S

(12) **United States Design Patent**
Takahashi et al.

(10) **Patent No.:** **US D504,430 S**

(45) **Date of Patent:** **** Apr. 26, 2005**

(54) **REMOTE CONTROLLER**

(75) Inventors: **Hiroshi Takahashi**, Tokyo (JP); **Tooru Yamamoto**, Tokyo (JP)

(73) Assignee: **Nikko Co., Ltd.**, Tokyo (JP)

(**) Term: **14 Years**

(21) Appl. No.: **29/202,656**

(22) Filed: **Apr. 5, 2004**

(51) **LOC (7) Cl.** **14-02**

(52) **U.S. Cl.** **D14/401**

(58) **Field of Search** D14/440, 401,
D14/412-416; D21/324, 333, 566; 273/148 B;
463/1, 37, 38, 40-47; 345/156-161, 905

(56) **References Cited**

U.S. PATENT DOCUMENTS

D415,752 S	*	10/1999	Tyler et al.	D14/401
D417,664 S	*	12/1999	Goto	D14/401
6,001,015 A	*	12/1999	Nishiumi et al.	463/38
D435,542 S	*	12/2000	Onoda et al.	D14/218
D435,552 S	*	12/2000	Dougan et al.	D14/401
6,171,191 B1	*	1/2001	Ogata et al.	463/38
6,231,444 B1	*	5/2001	Goto et al.	463/37
6,394,906 B1	*	5/2002	Ogata	463/38
D467,922 S	*	12/2002	Lee	D14/401
D467,923 S	*	12/2002	Lim	D14/401
D478,589 S	*	8/2003	Hussaini et al.	D14/401

* cited by examiner

Primary Examiner—Prabhakar Deshmukh

(74) *Attorney, Agent, or Firm*—Young & Thompson

(57) **CLAIM**

The ornamental design for a remote controller, as shown and described.

DESCRIPTION

FIG. 1 is a top, front and side perspective view of a remote controller showing our new design;

FIG. 2 is a front elevational view thereof;

FIG. 3 is a side elevational view thereof from the left of FIG. 2;

FIG. 4 is a side elevational view thereof from the right of FIG. 2;

FIG. 5 is a rear elevational view thereof;

FIG. 6 is a top plan view thereof;

FIG. 7 is a bottom plan view thereof; and

FIG. 8 is perspective view of a top, front and side second embodiment of a remote controller;

FIG. 9 is a front elevational view of FIG. 8;

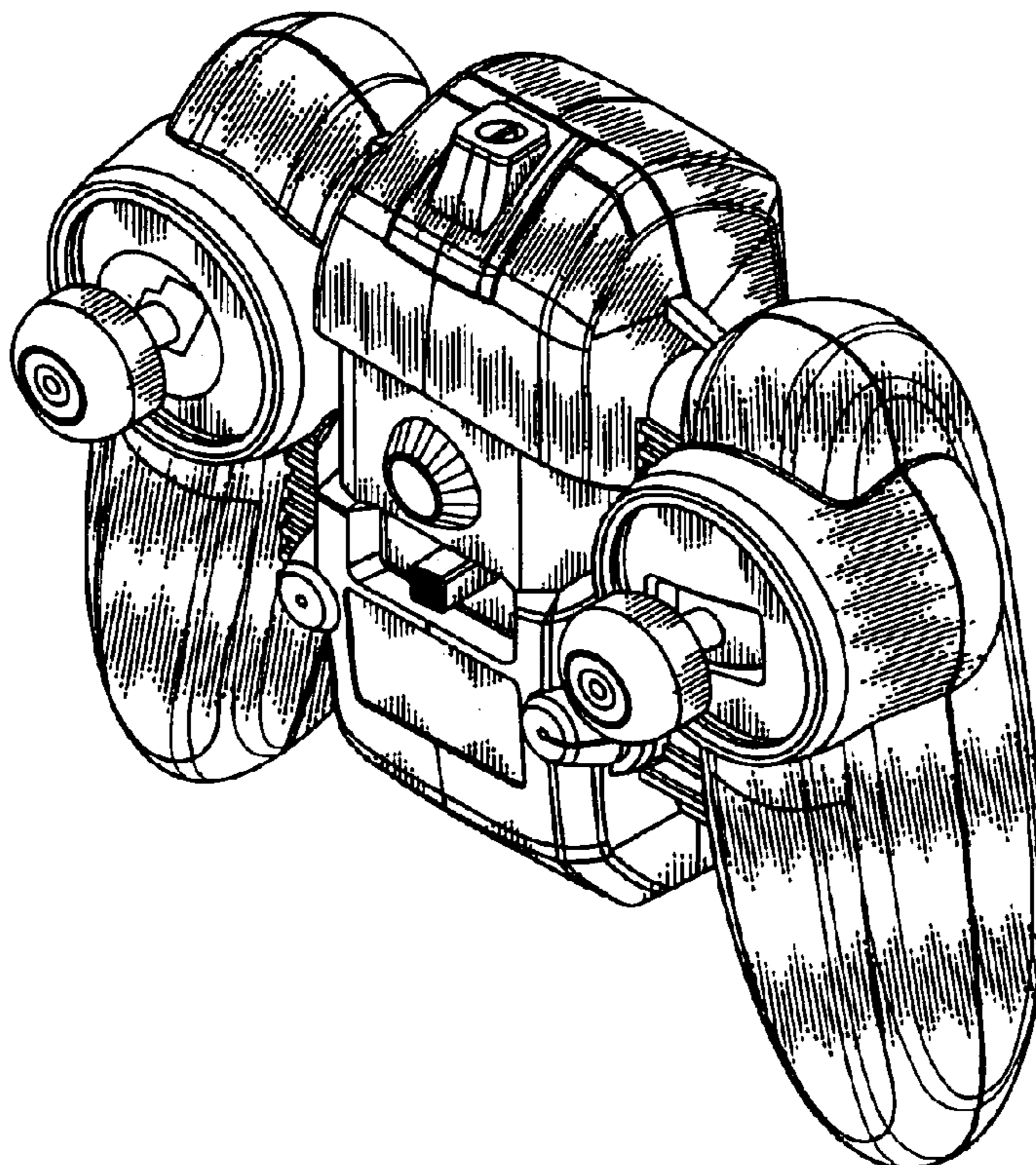
FIG. 10 is a side elevational view thereof from the left of FIG. 9;

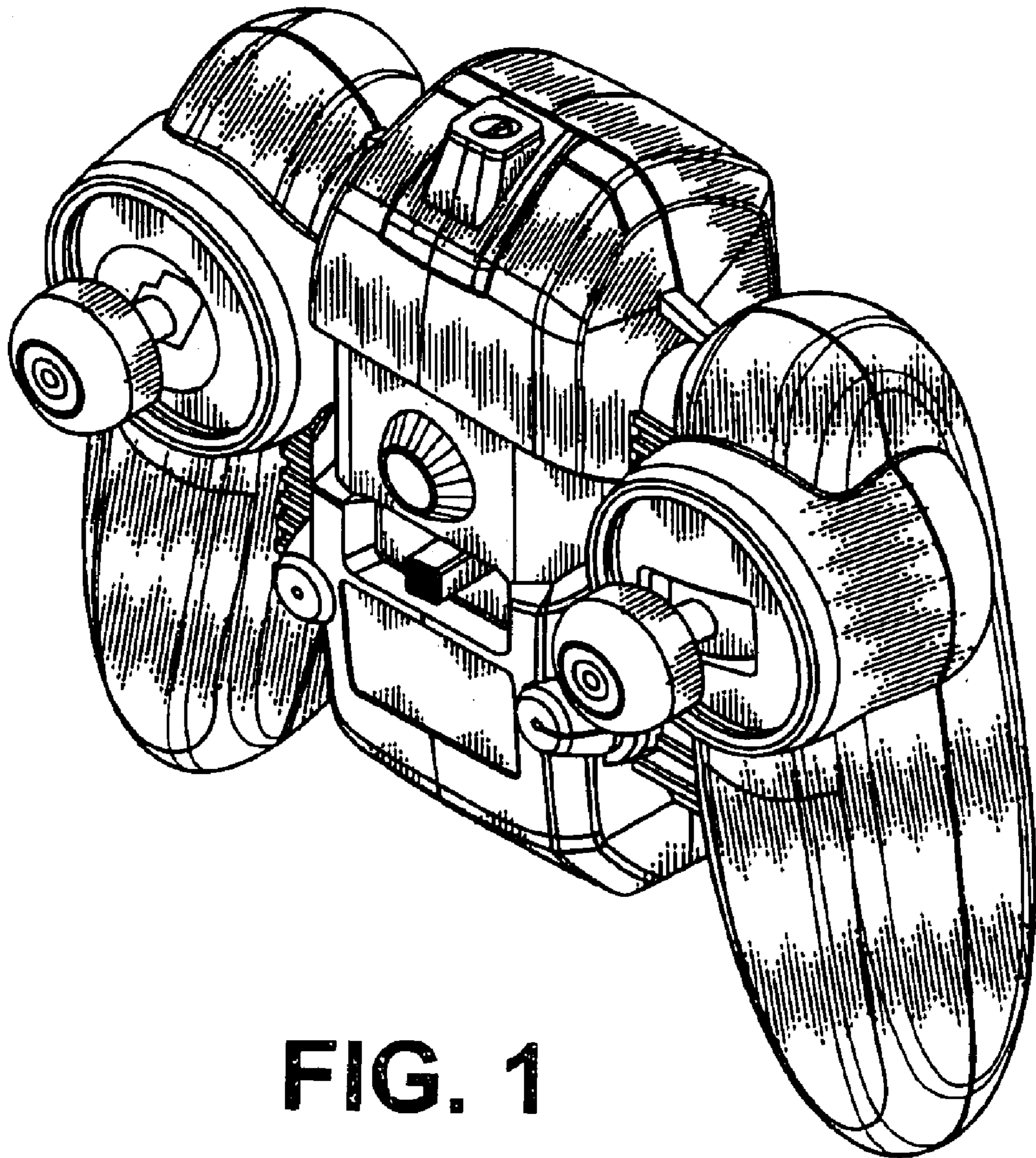
FIG. 11 is a top plan view of FIG. 8; and,

FIG. 12 is a bottom plan view of FIG. 8.

The rear elevational of the second embodiment (FIG. 8) is the same as that of FIG. 5 and the right side elevational is the same as that of FIG. 4.

1 Claim, 12 Drawing Sheets





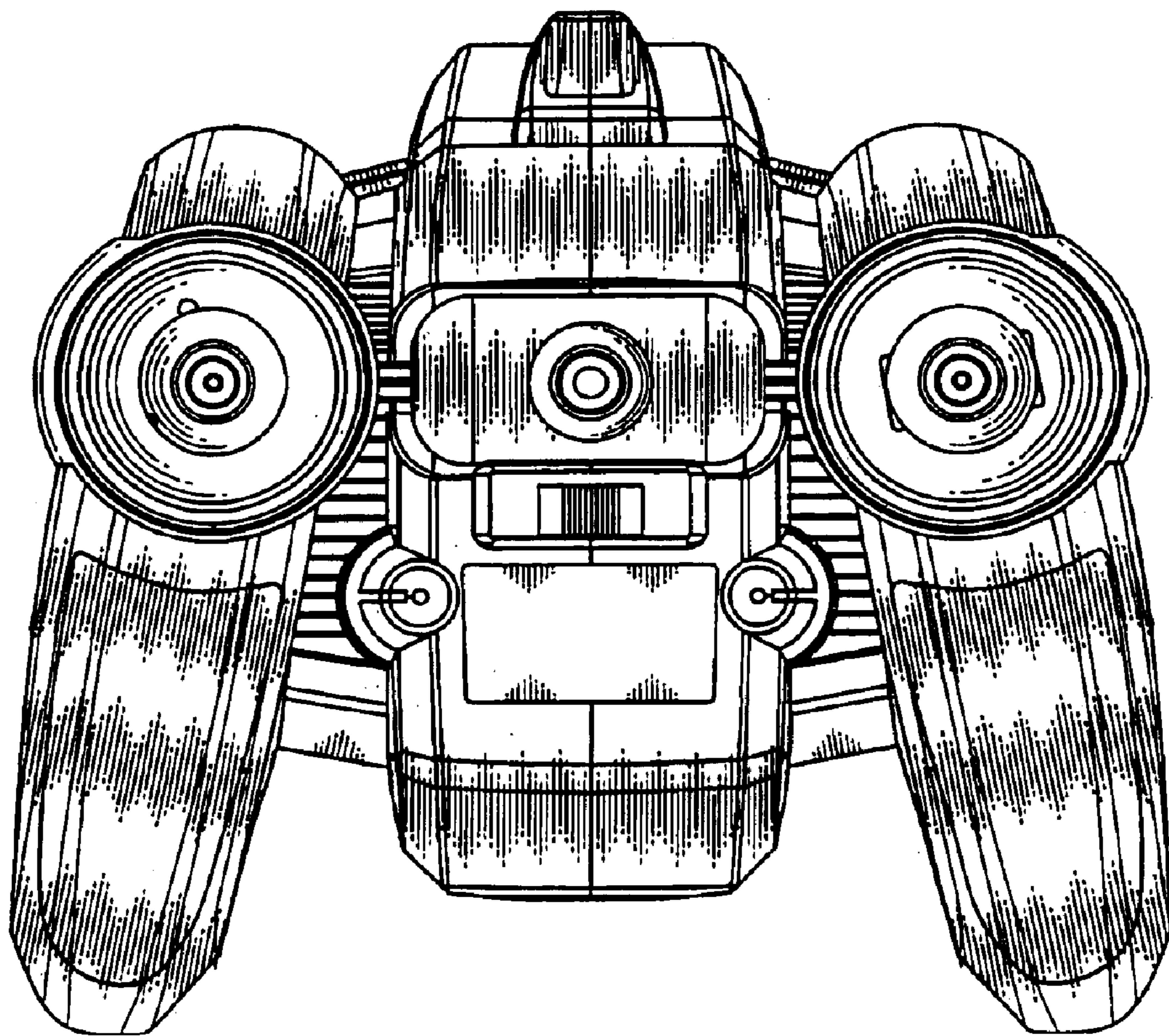


FIG. 2

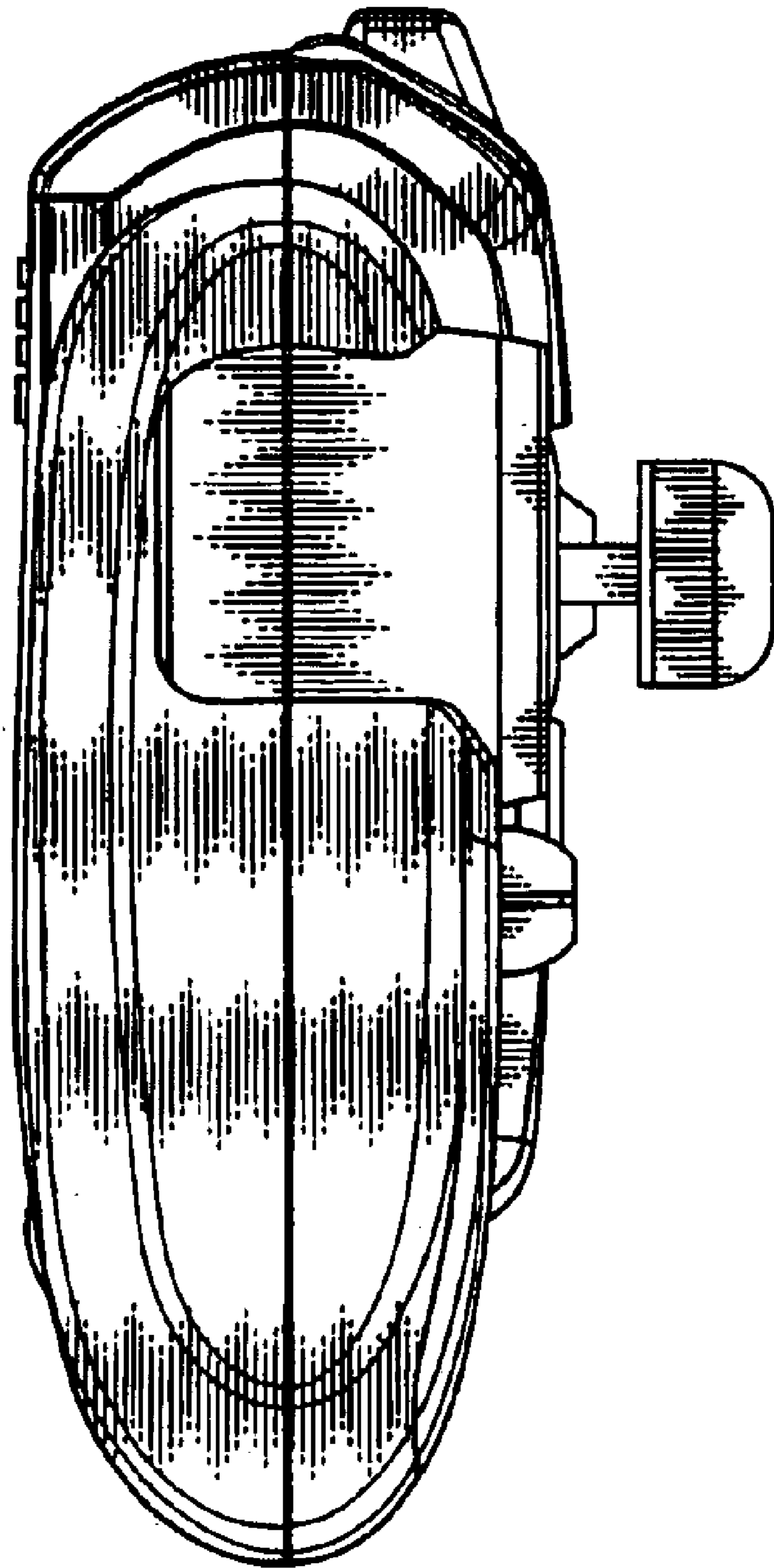


FIG. 3

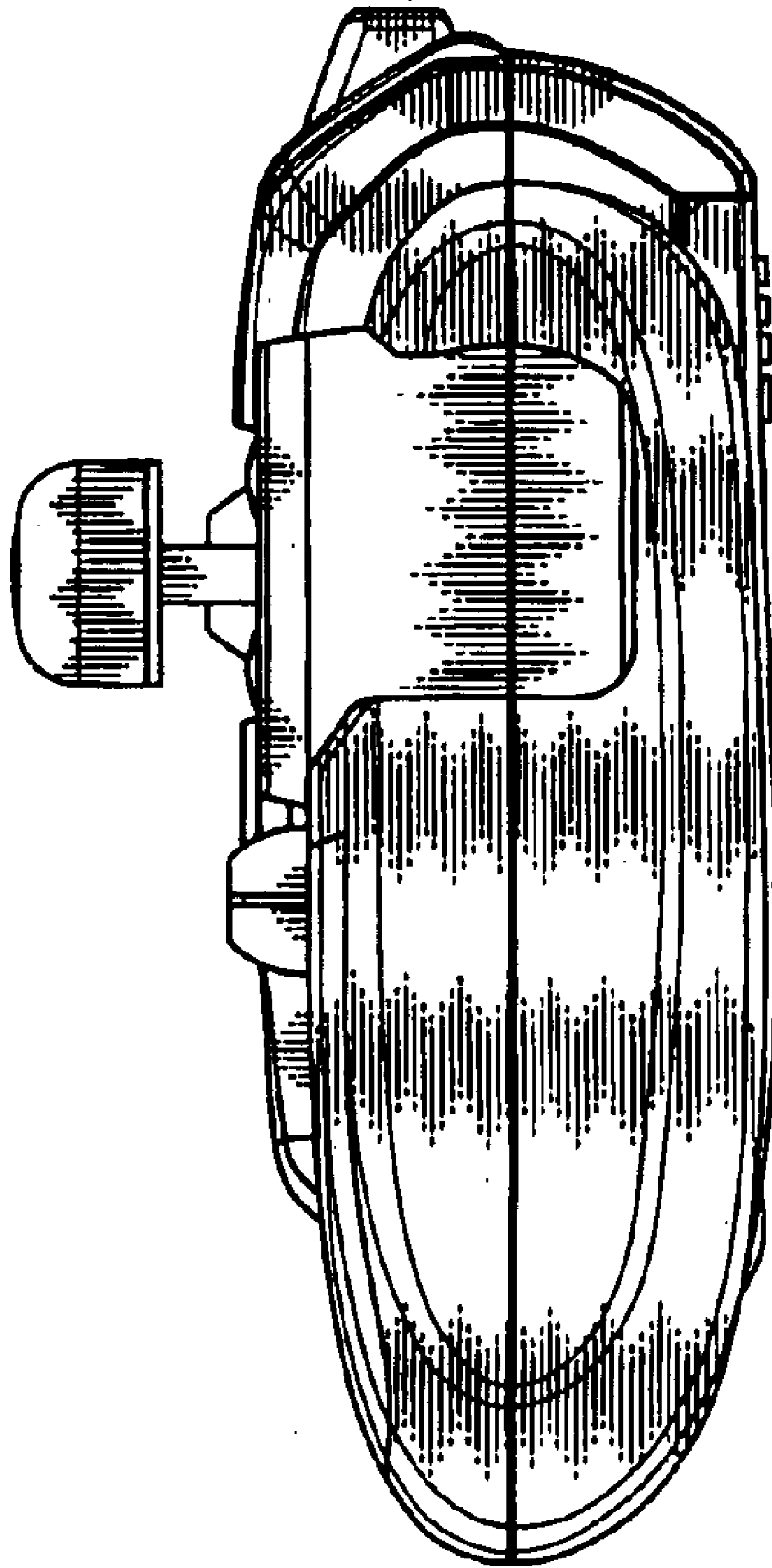


FIG. 4

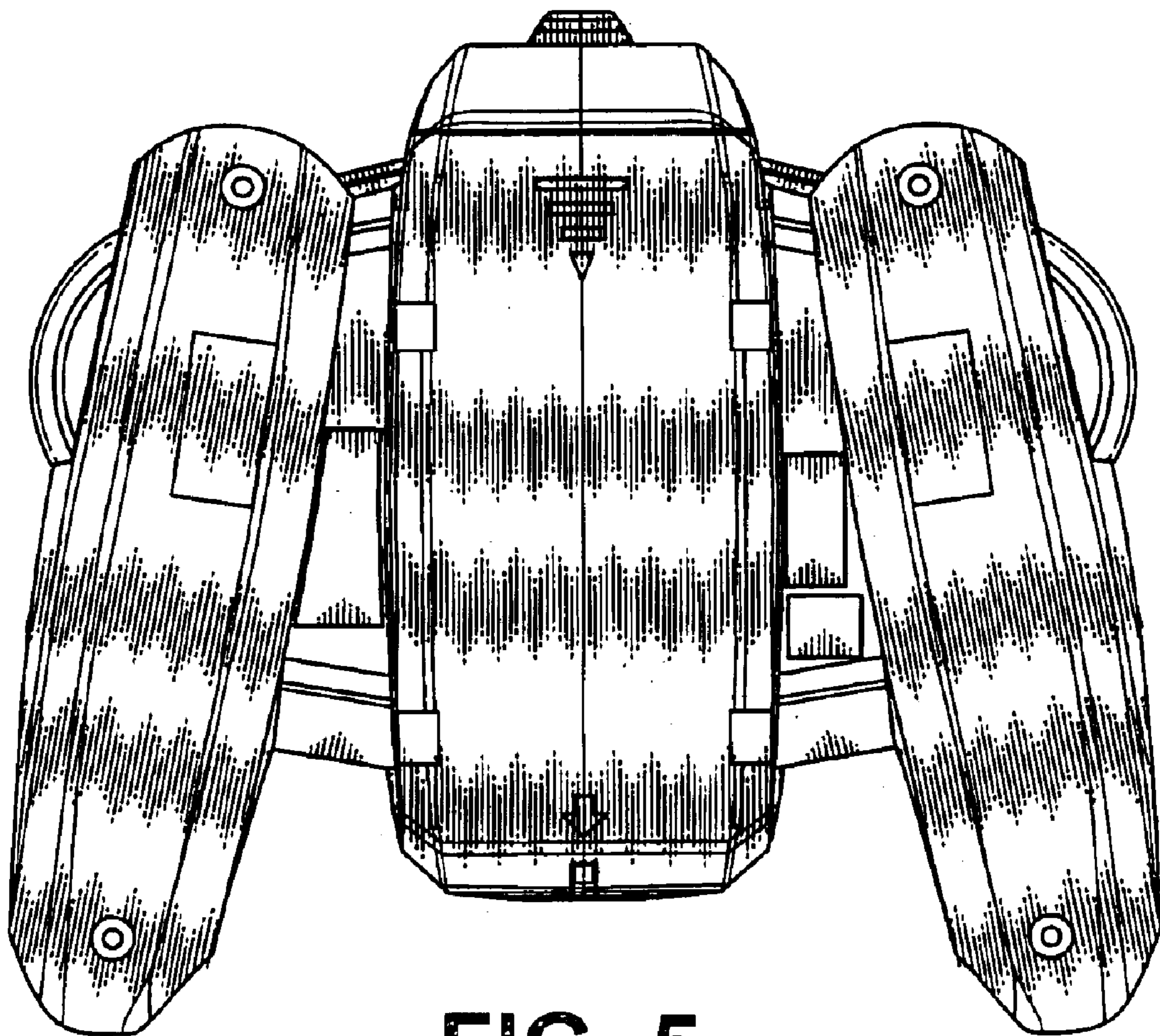


FIG. 5

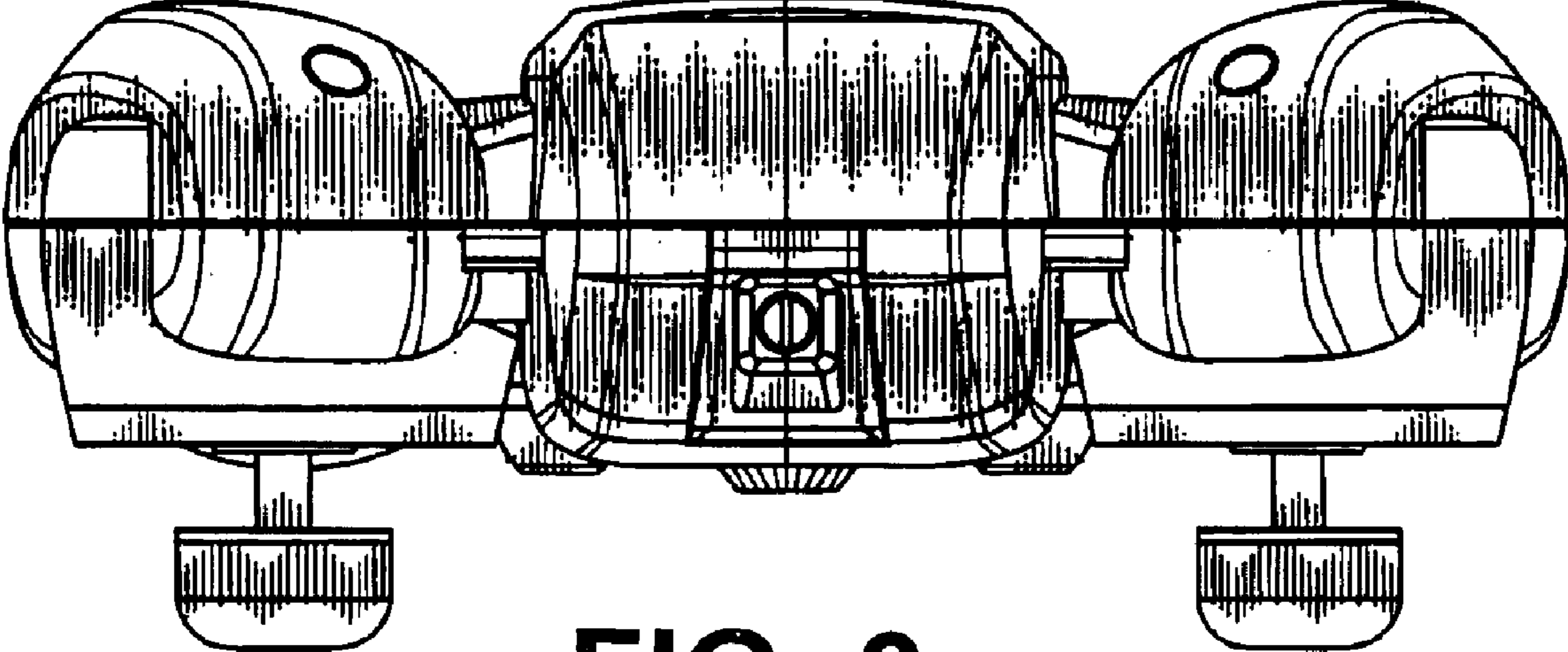


FIG. 6

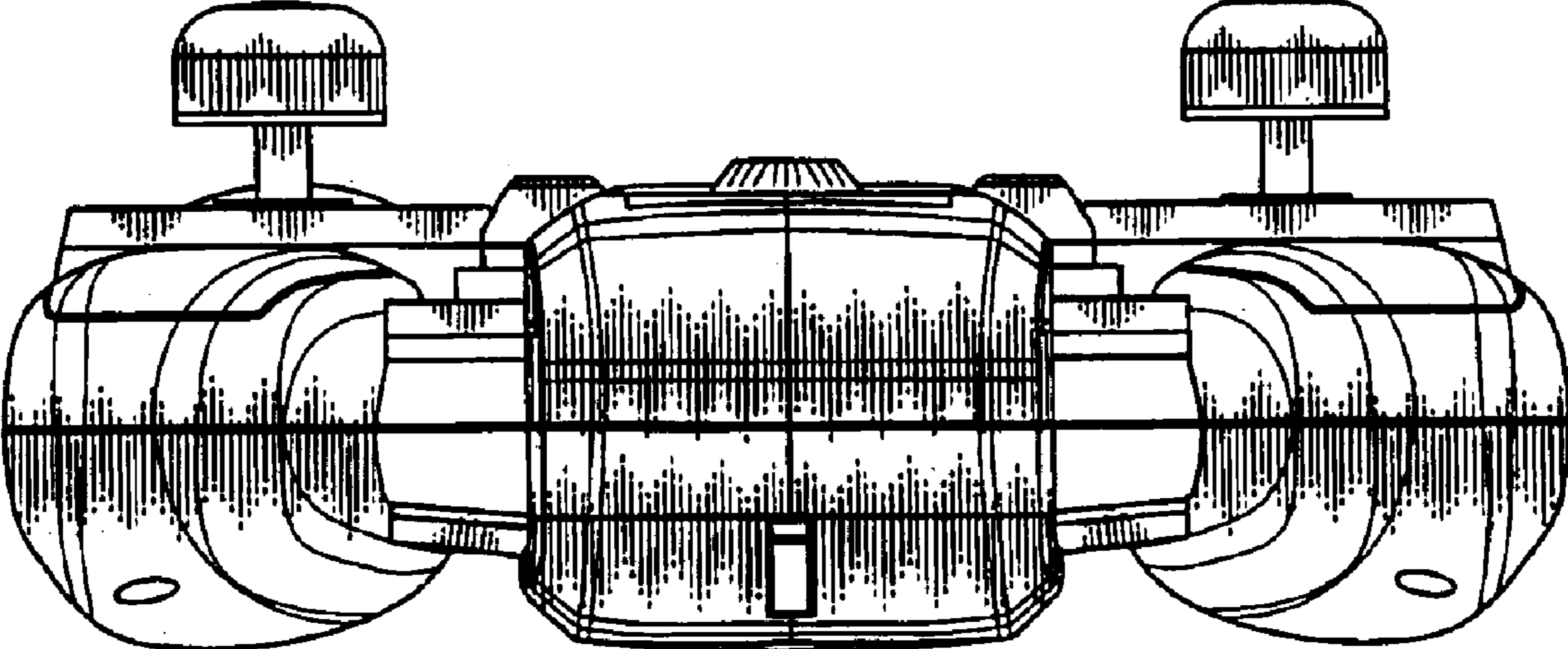
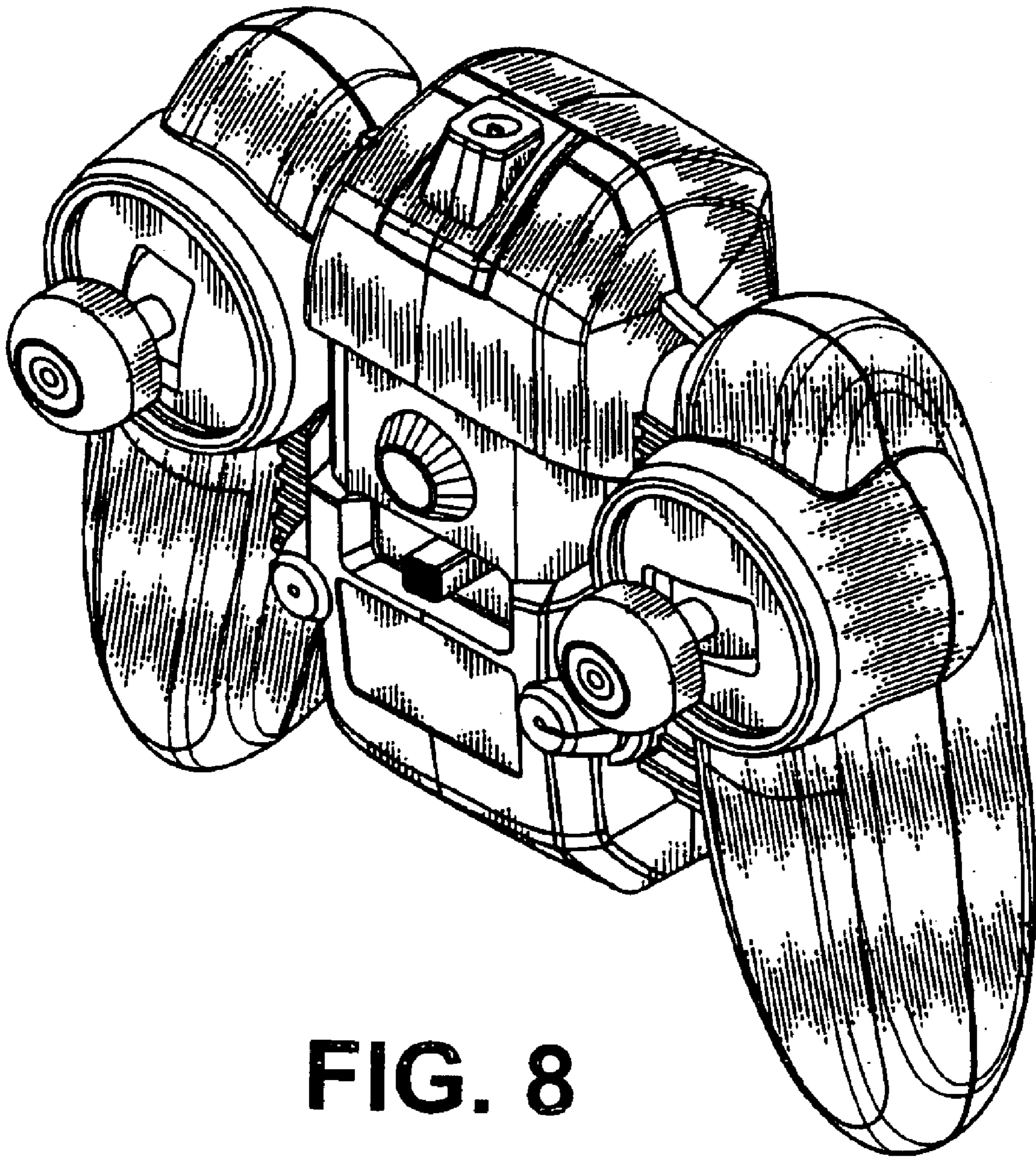


FIG. 7



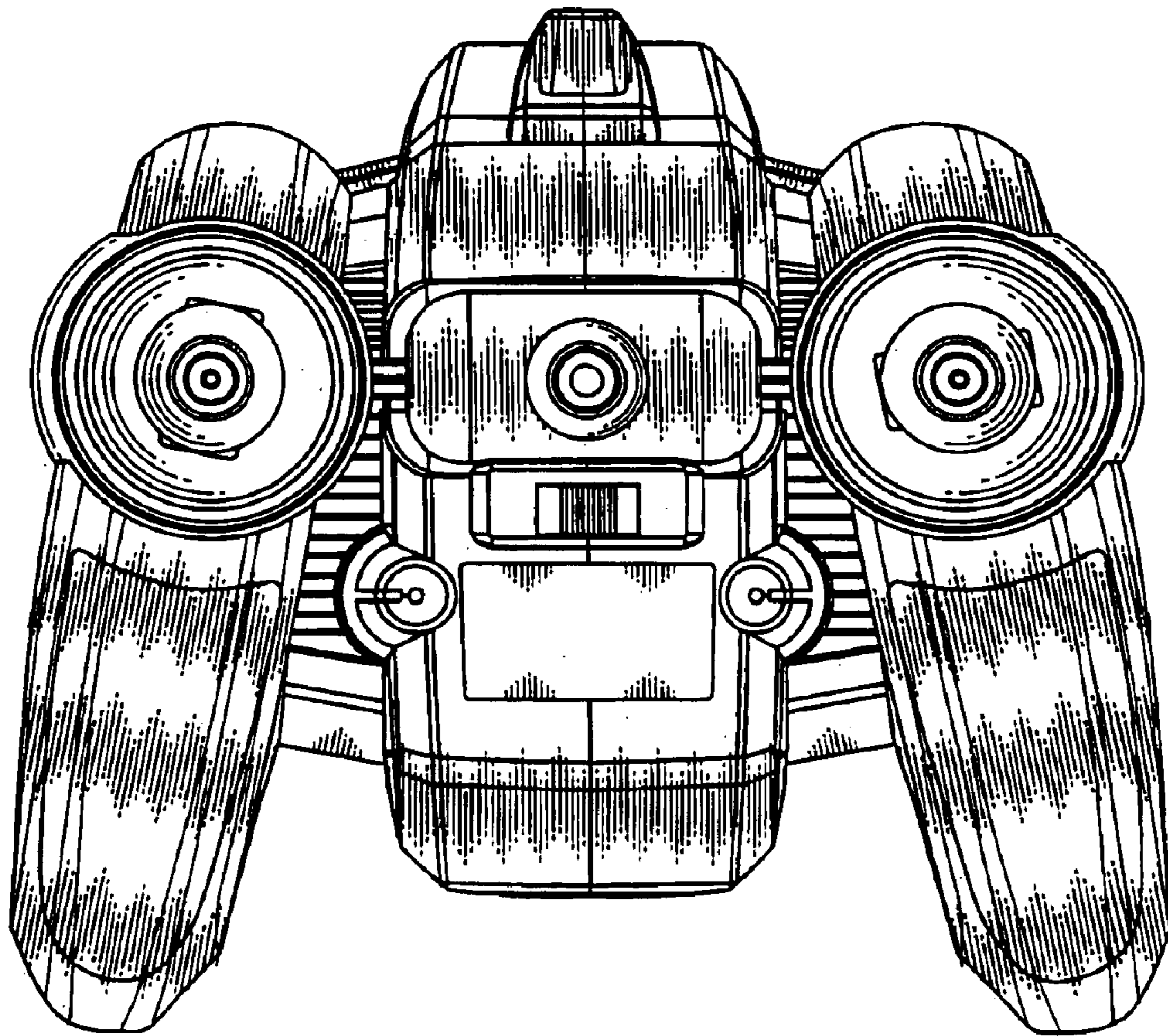


FIG. 9

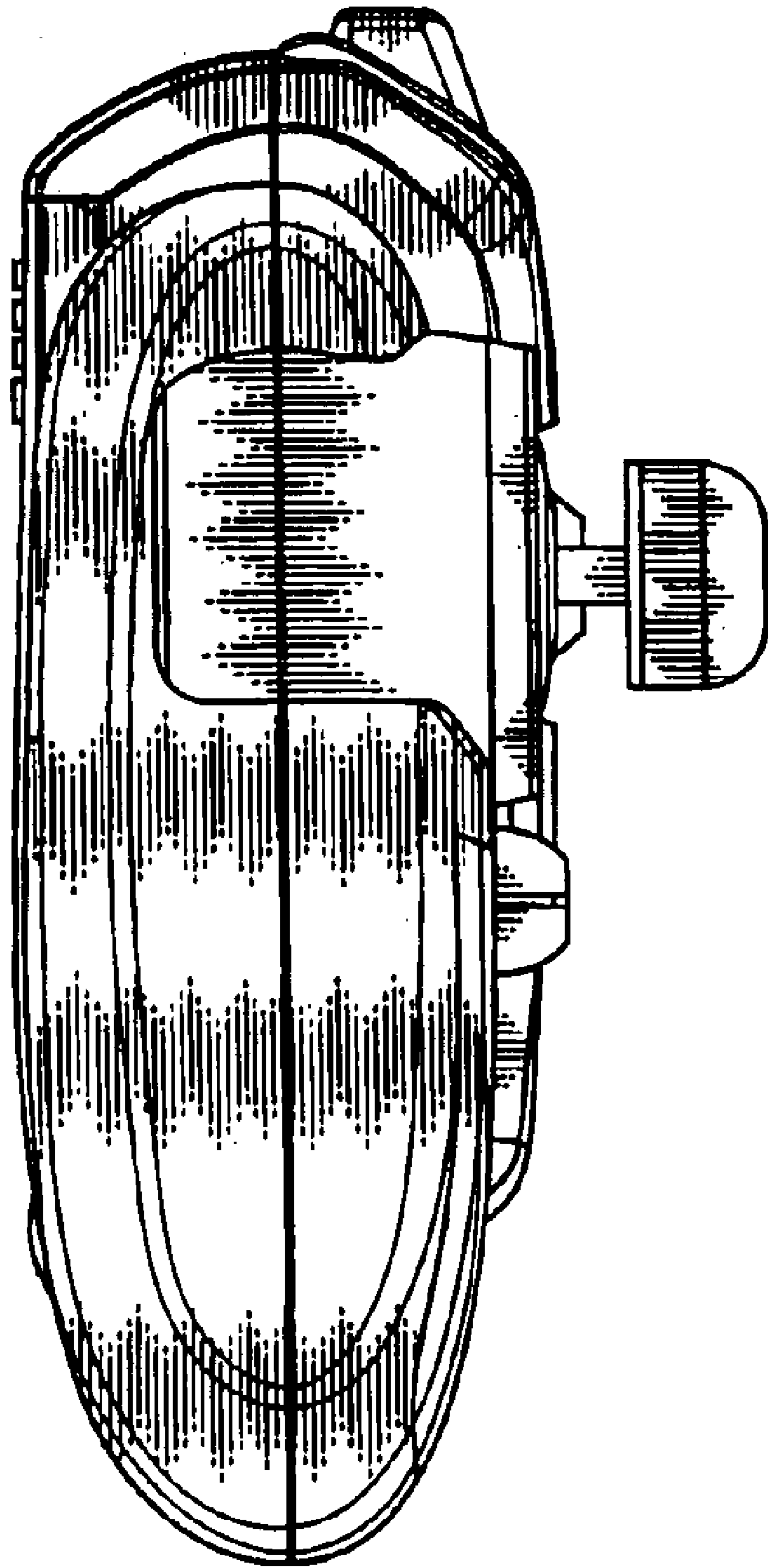


FIG. 10

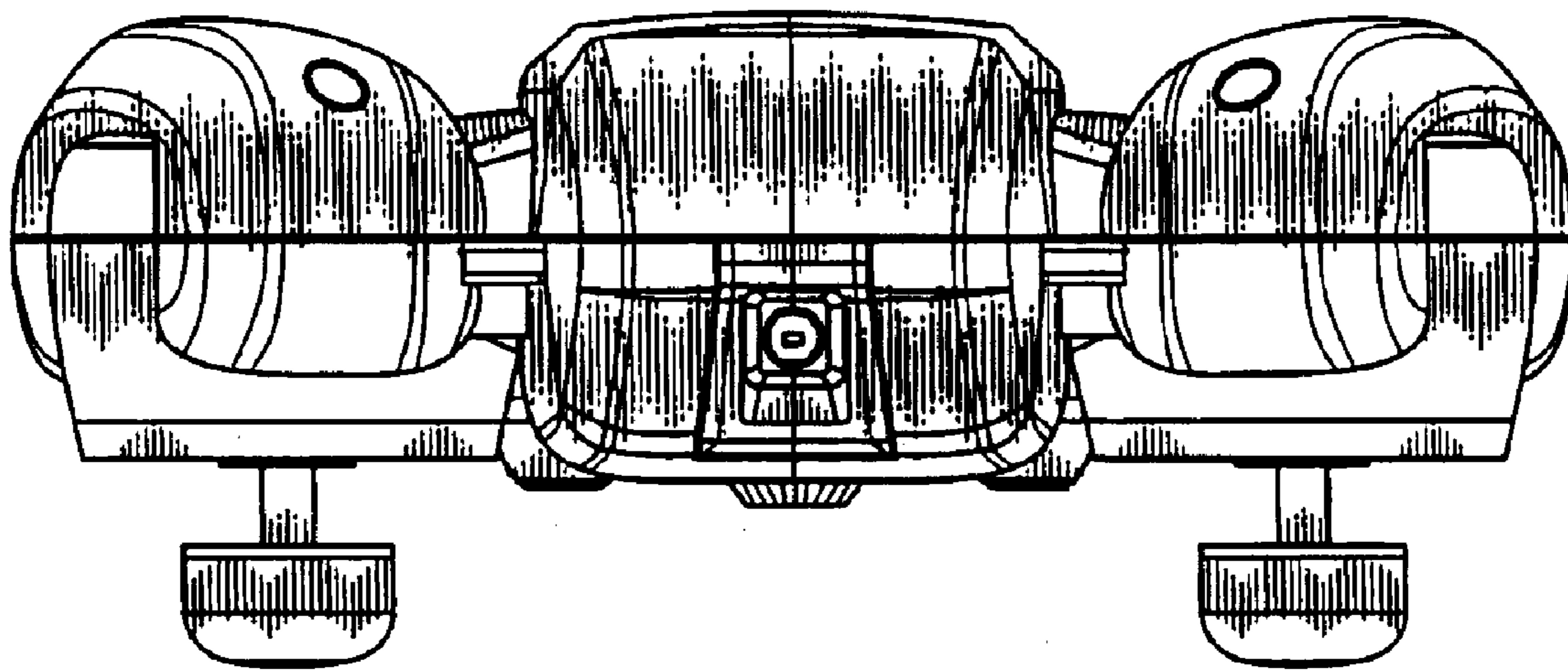


FIG. 11

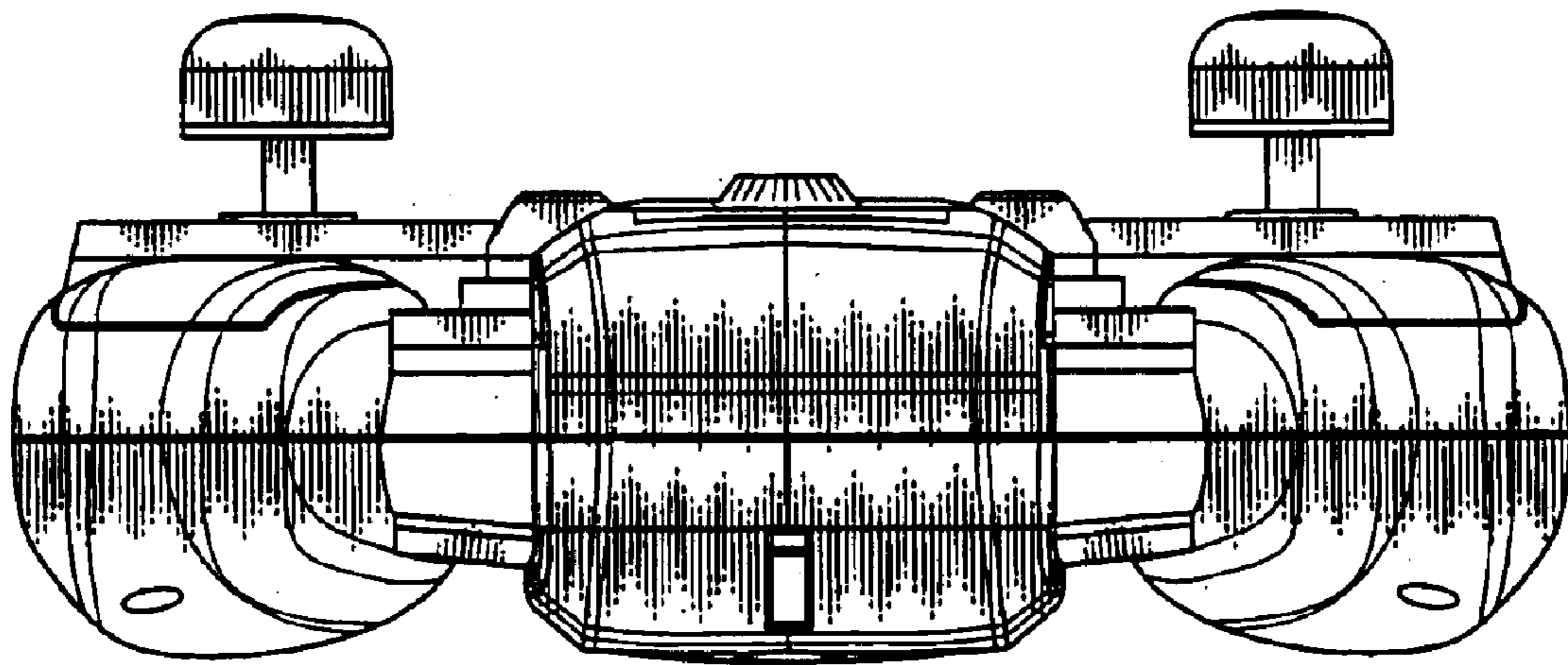


FIG. 12