

US00D504427S

(12) **United States Design Patent**
Hsu Li

(10) **Patent No.:** **US D504,427 S**

(45) **Date of Patent:** **** Apr. 26, 2005**

(54) **DISK DISPLAY DEVICE**

D434,763 S * 12/2000 Jobs et al. D14/375
D462,074 S * 8/2002 Kim D14/375

(76) Inventor: **Hsiu-Chu Hsu Li**, No. 957, Borai Street, Jubei City, Hsinju Hsien (TW), 302

* cited by examiner

Primary Examiner—Freda S. Nunn

(74) *Attorney, Agent, or Firm*—Charles E. Baxley

(**) Term: **14 Years**

(57) **CLAIM**

(21) Appl. No.: **29/206,099**

The ornamental design for a disk display device, as shown and described.

(22) Filed: **May 25, 2004**

DESCRIPTION

(51) **LOC (7) Cl.** **14-02**

(52) **U.S. Cl.** **D14/371**

(58) **Field of Search** D14/371-375,
D14/125-129, 341; 345/104, 156, 168,
173, 87; 348/180, 184, 325, 739; 248/917-924;
349/1, 2, 11, 62

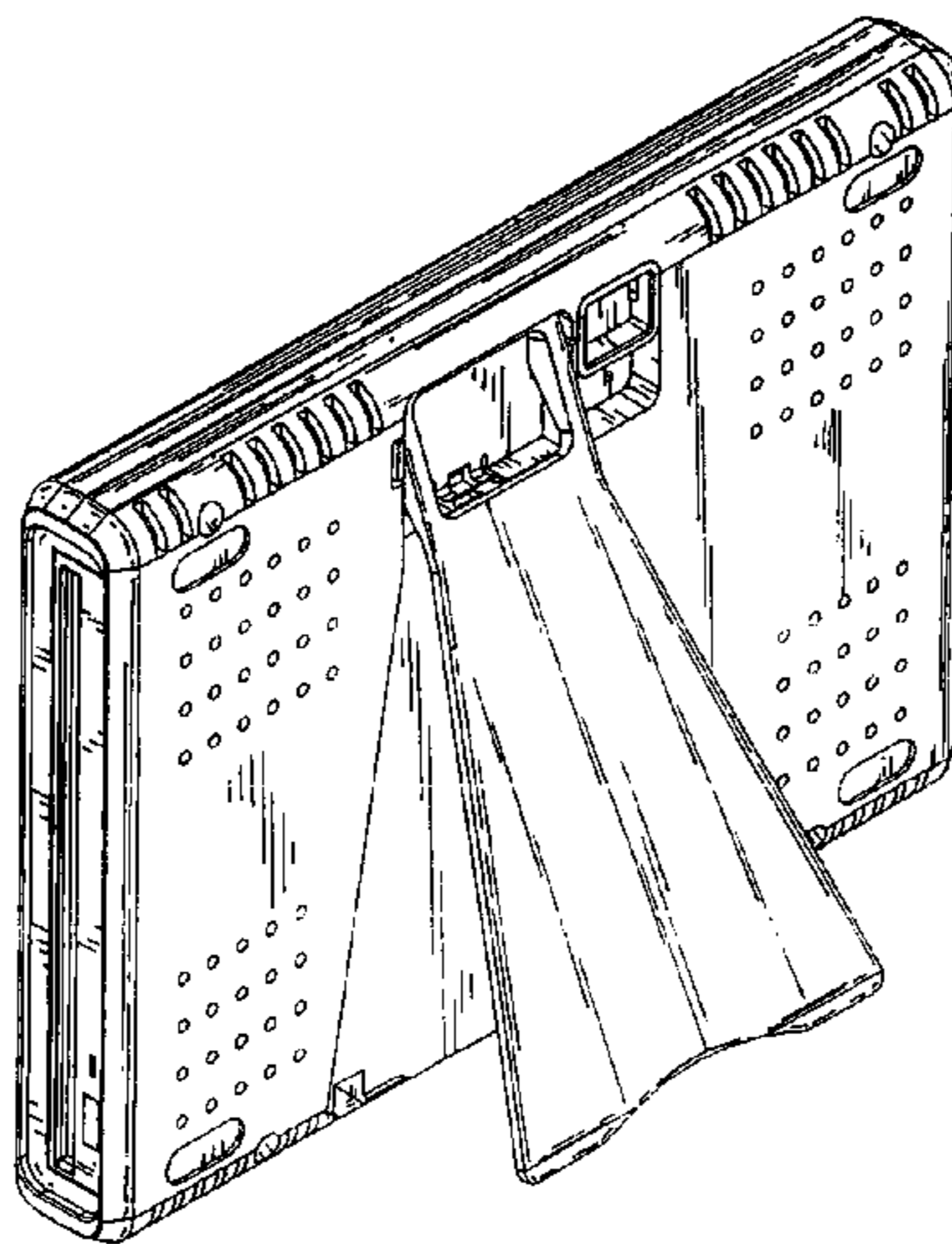
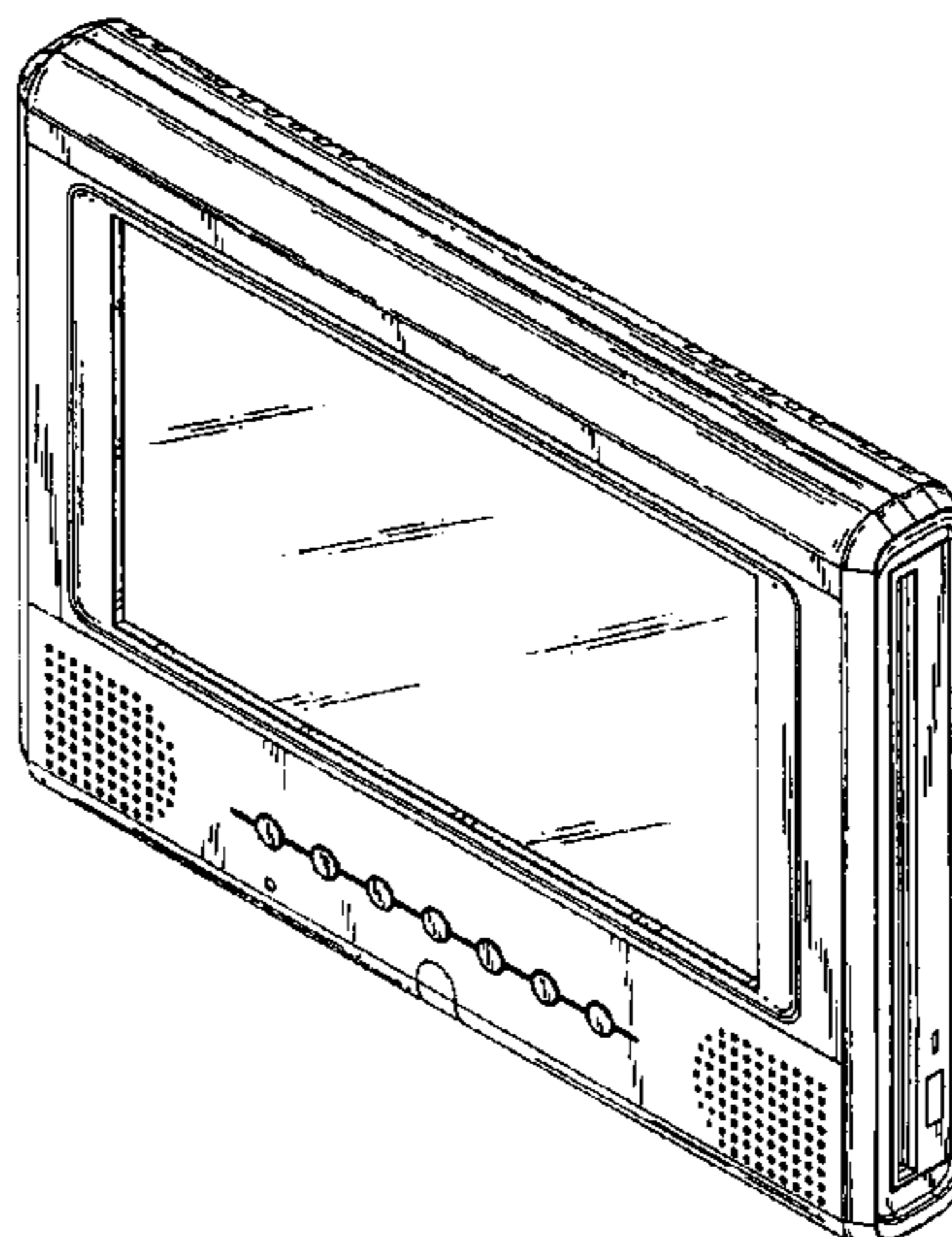
FIG. 1 is a front perspective view of a disk display device showing my new design;
FIG. 2 is a front elevational view thereof;
FIG. 3 is a rear elevational view thereof;
FIG. 4 is a top plan view thereof;
FIG. 5 is a bottom plan view thereof;
FIG. 6 is a left side elevational view thereof;
FIG. 7 is a right side elevational view thereof; and,
FIG. 8 is a rear perspective view thereof showing my new design.

(56) **References Cited**

U.S. PATENT DOCUMENTS

D315,549 S * 3/1991 Clough et al. D14/341
D429,227 S * 8/2000 Shimizu D14/126
D432,124 S * 10/2000 Pardikes et al. D14/336

1 Claim, 6 Drawing Sheets



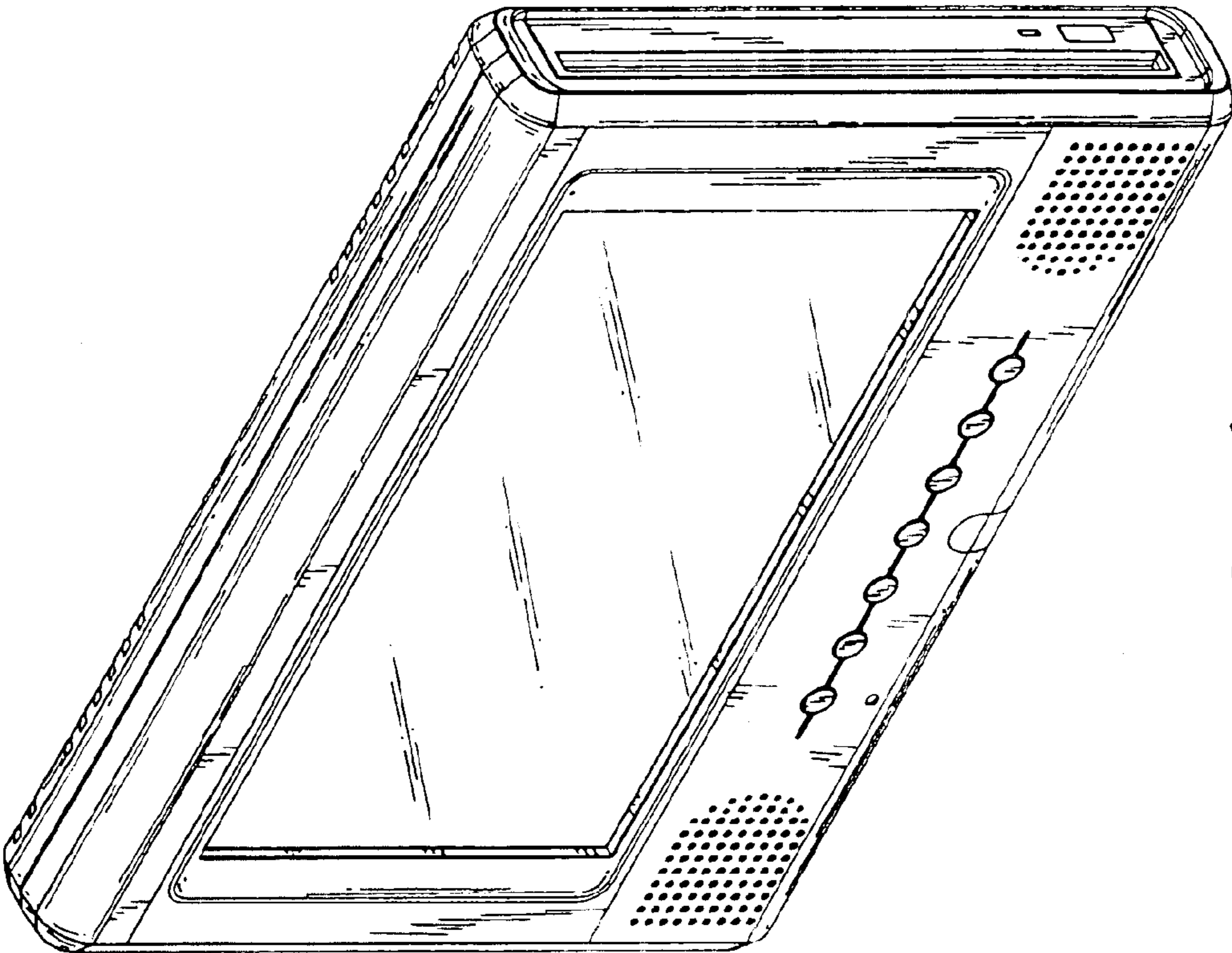


FIG. 1

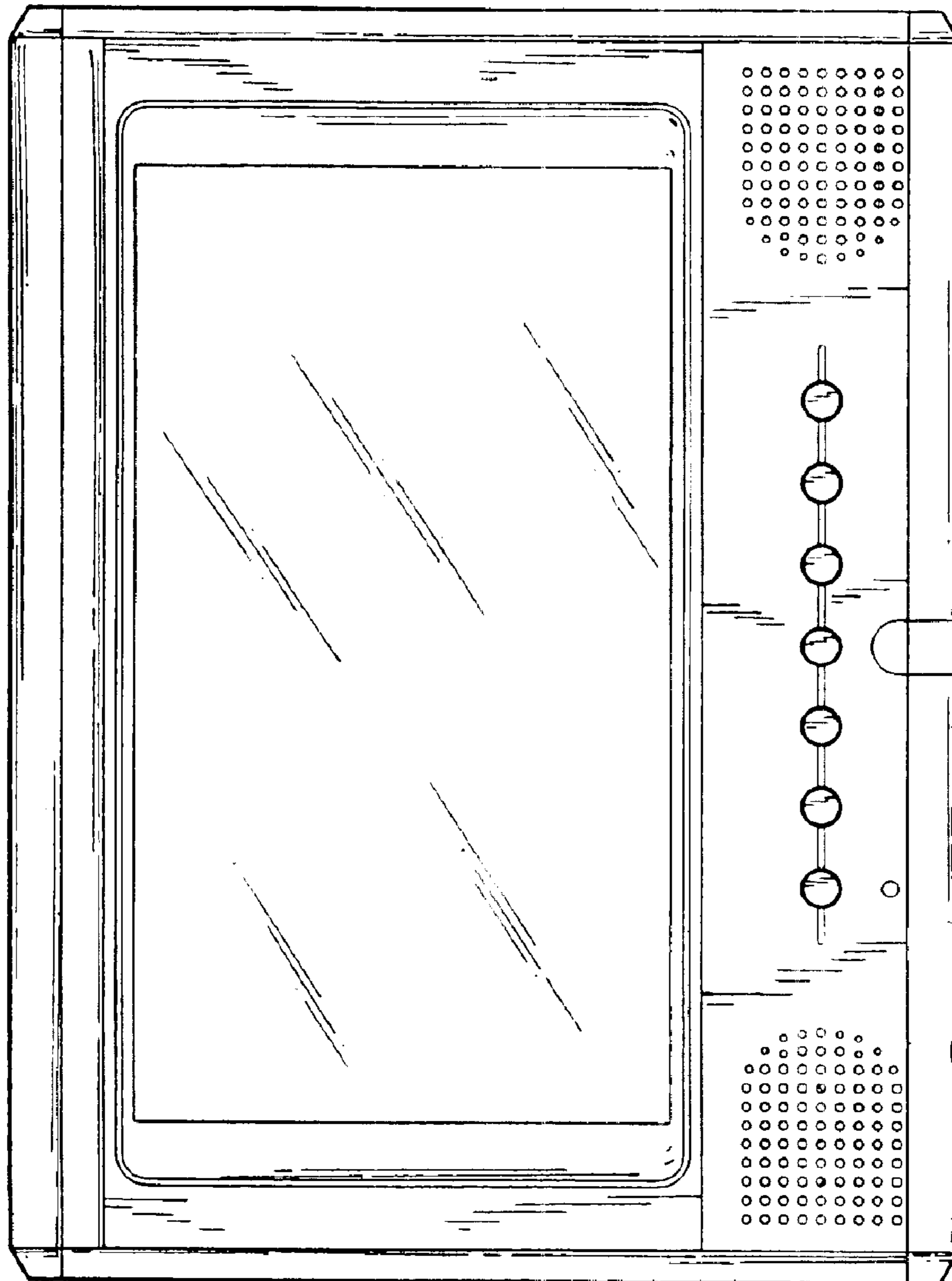


FIG. 2

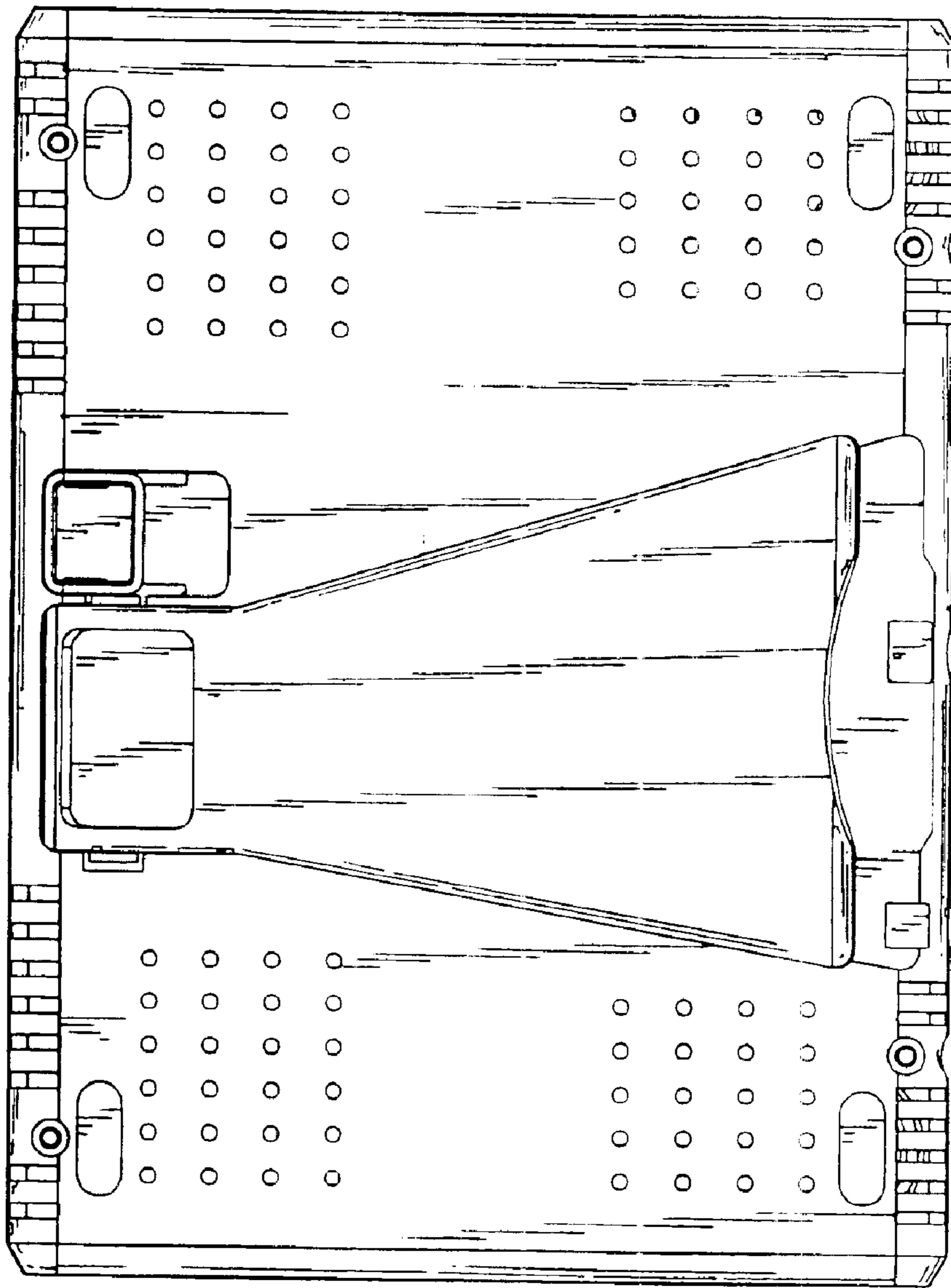


FIG. 3

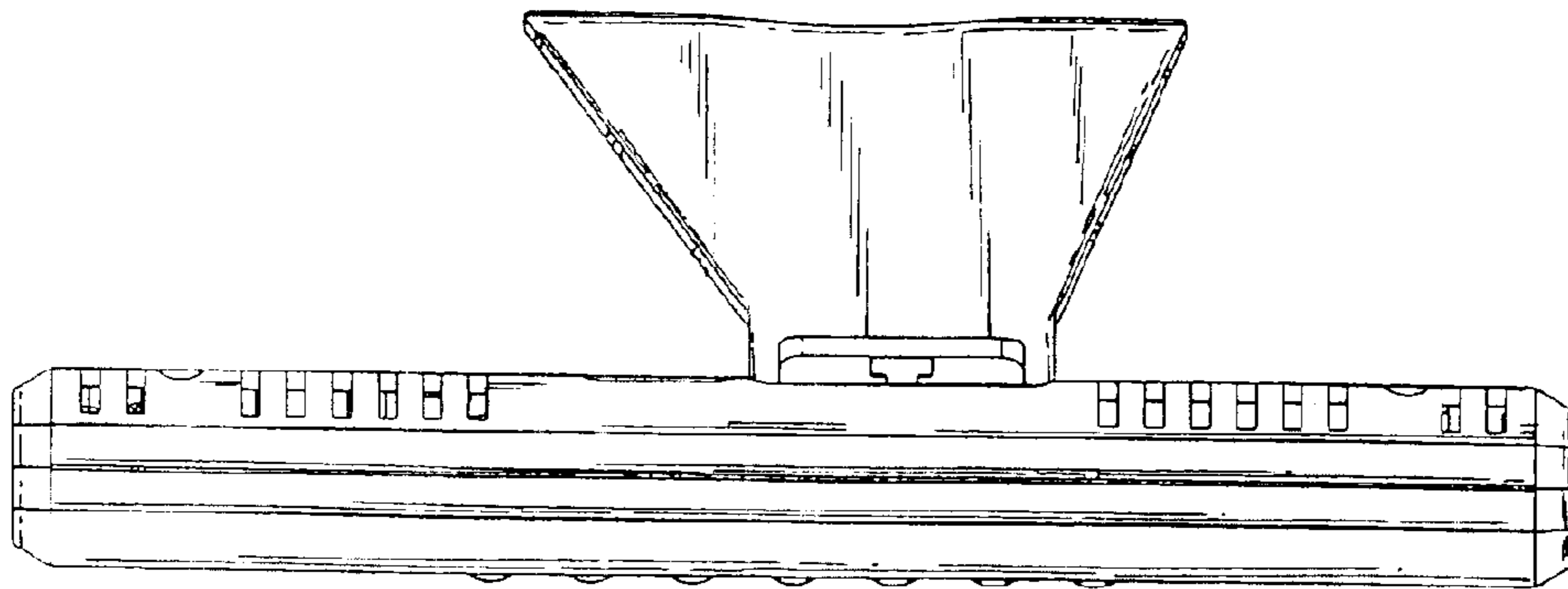


FIG. 4

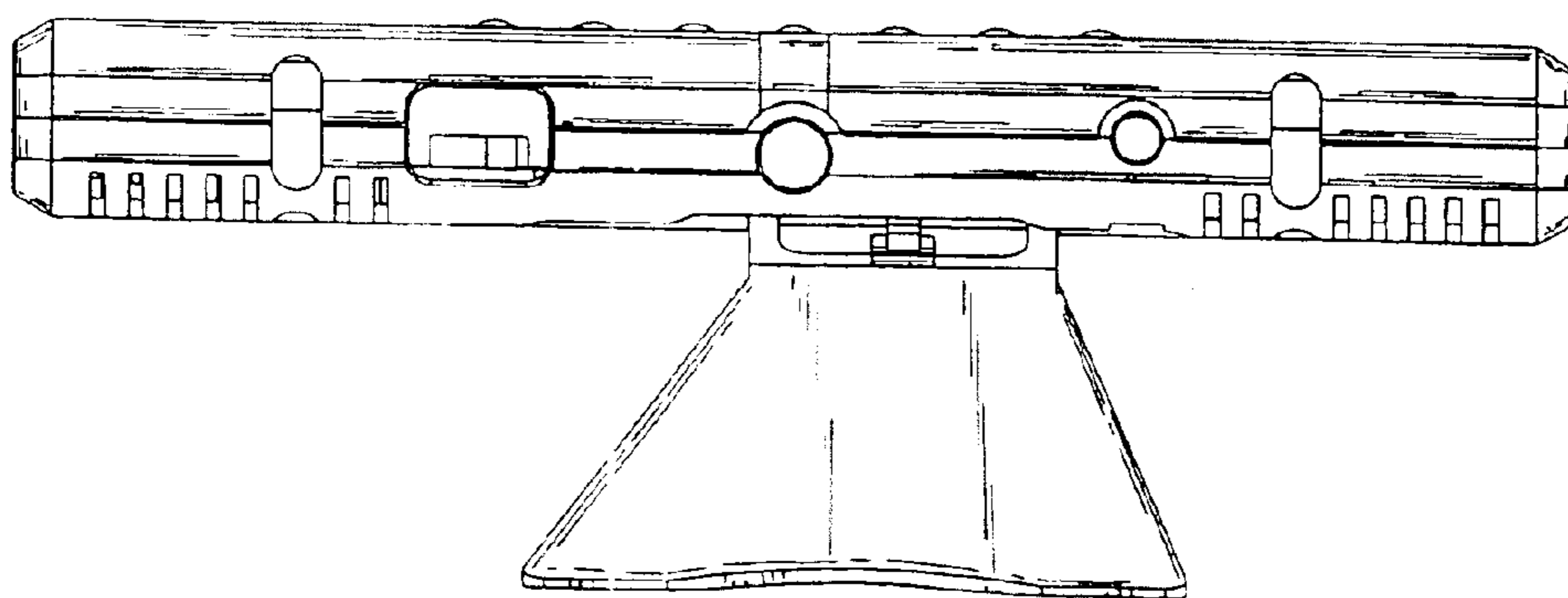


FIG. 5

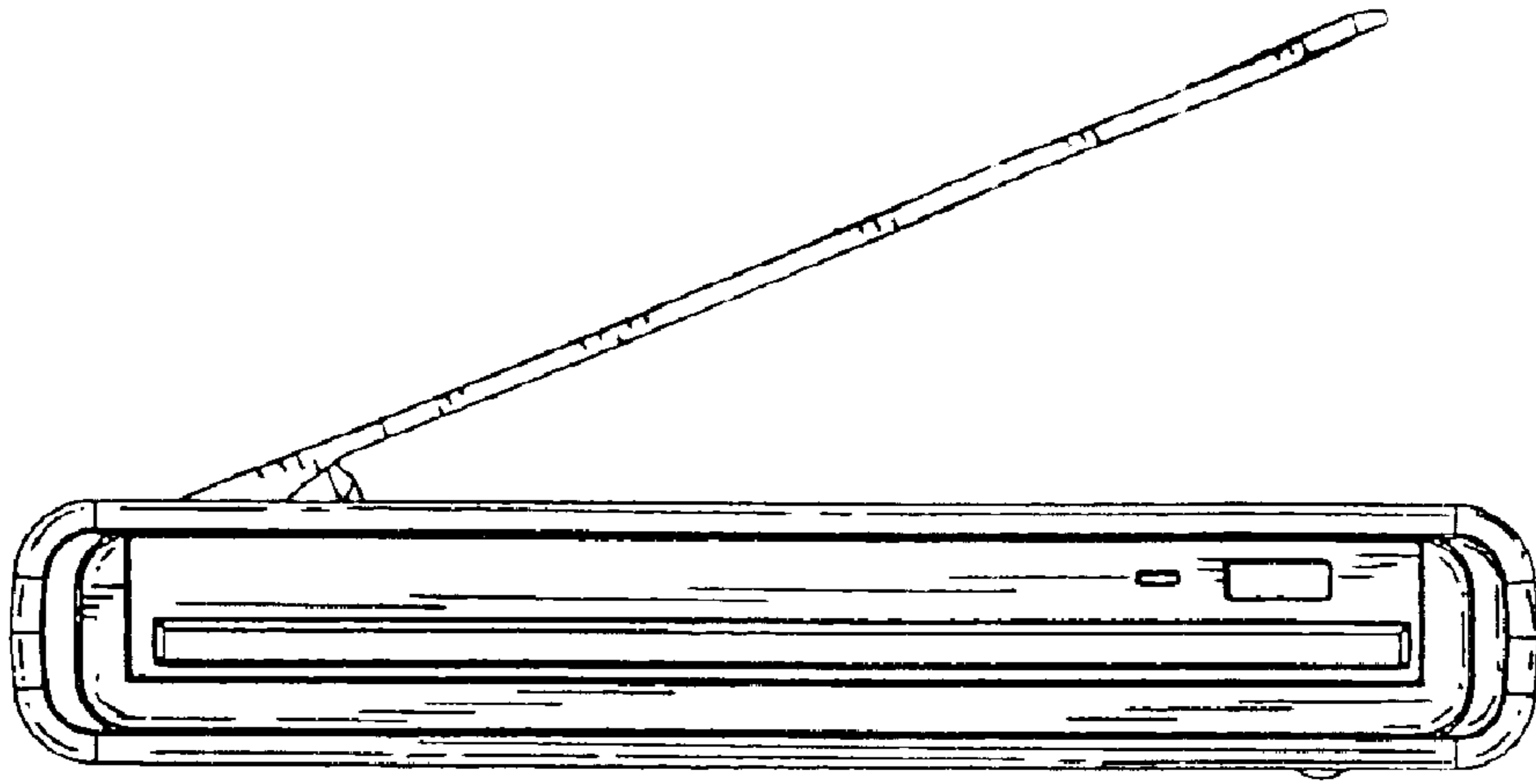


FIG. 7

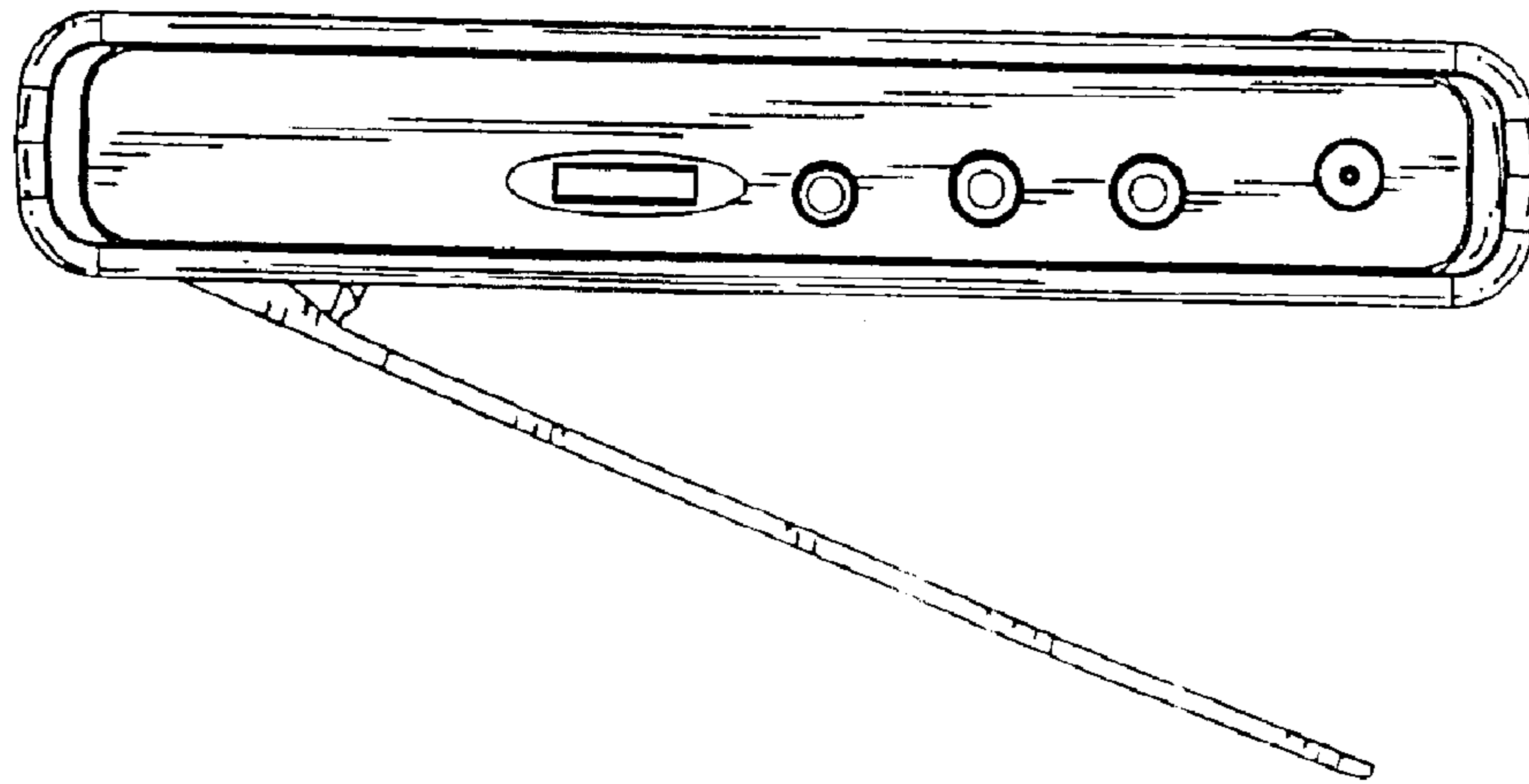


FIG. 6

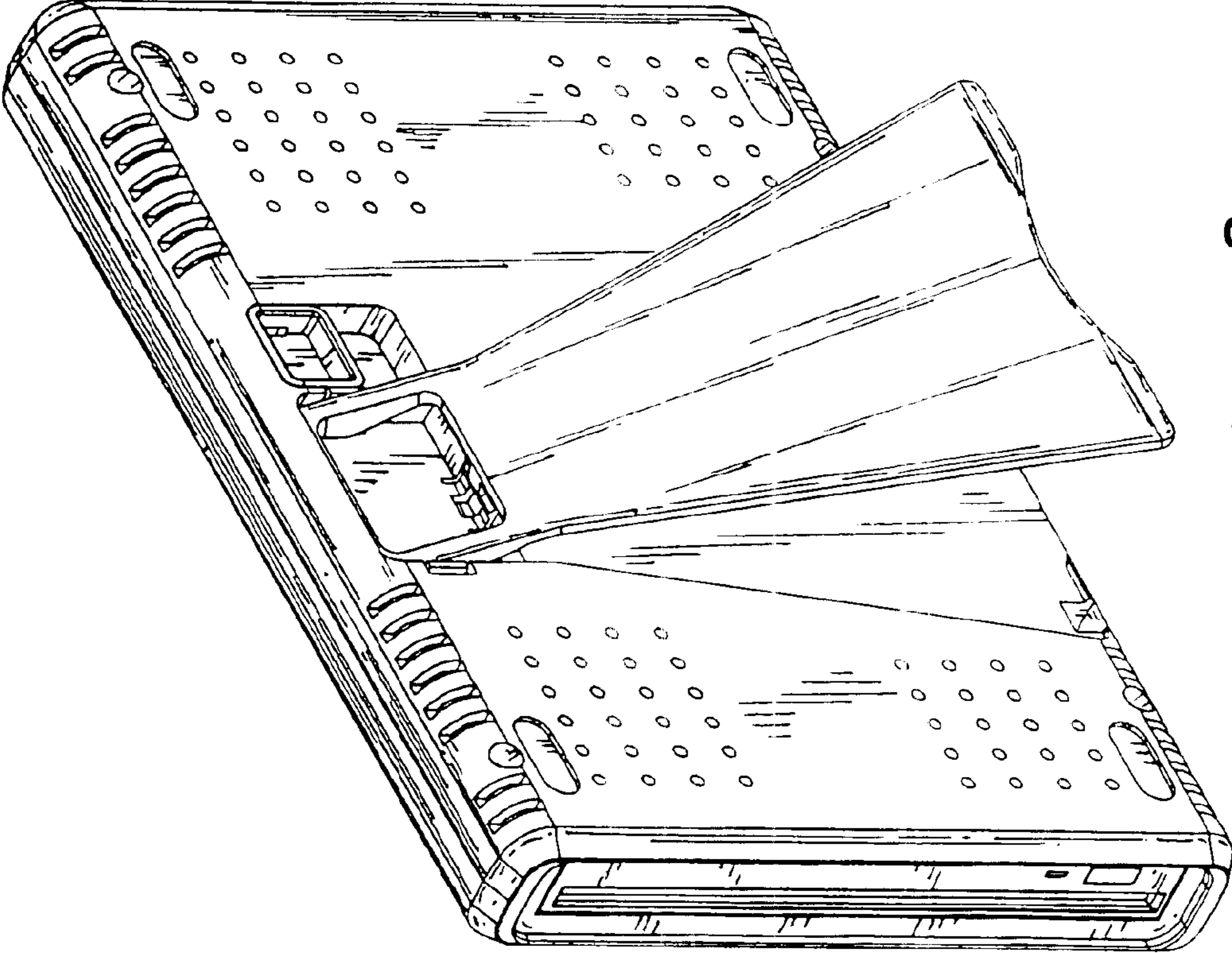


FIG. 8