

US00D504426S

(12) **United States Design Patent**
Shoda et al.

(10) **Patent No.: US D504,426 S**
(45) **Date of Patent: ** Apr. 26, 2005**

(54) **DESKTOP COMPUTER**

(75) Inventors: **Thomas M. Shoda**, Campbell, CA (US); **James E. Sacherman**, Palo Alto, CA (US); **David H. Titzler**, Palo Alto, CA (US)

(73) Assignee: **Flextronics International USA, Inc.**, San Jose, CA (US)

(**) Term: **14 Years**

(21) Appl. No.: **29/207,136**

(22) Filed: **Jun. 8, 2004**

(51) **LOC (7) Cl.** **14-02**

(52) **U.S. Cl.** **D14/336**

(58) **Field of Search** D14/336, 337, D14/371, 374, 375, 125-129; 345/104, 156, 168, 169, 173; 348/180, 184, 325, 739; 248/917-924; 341/12; 349/1, 2, 11, 62

(56) **References Cited**

U.S. PATENT DOCUMENTS

D410,439 S * 6/1999 Shibata D14/336

D413,586 S * 9/1999 Kondo D14/375
D434,033 S * 11/2000 Ho D14/337
D442,581 S * 5/2001 Su D14/337
D469,085 S * 1/2003 Hill et al. D14/337
D479,230 S * 9/2003 Hirose et al. D14/337

* cited by examiner

Primary Examiner—Freda S. Nunn

(74) *Attorney, Agent, or Firm*—Henneman & Saunders; Larry E. Henneman, Jr.

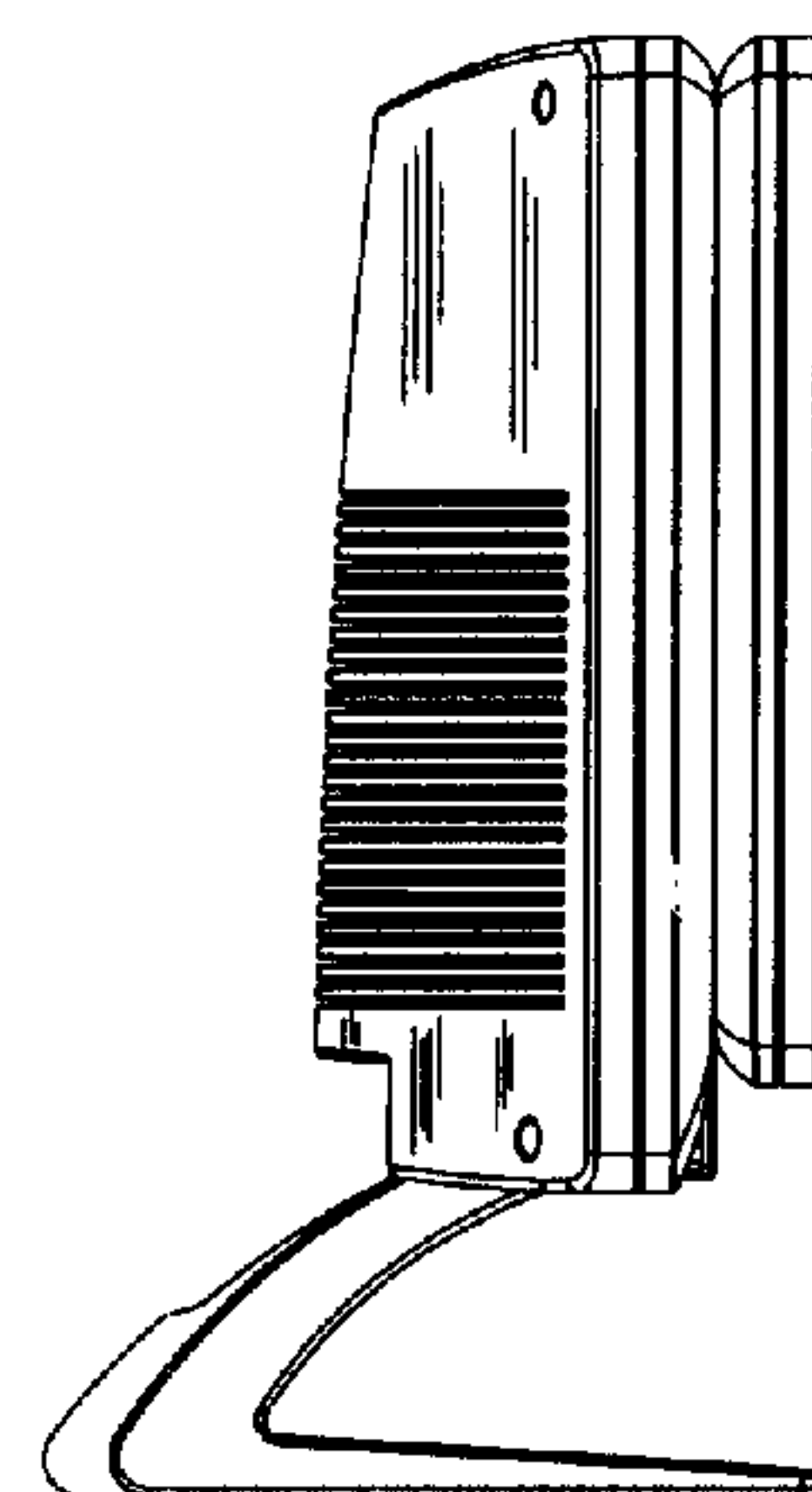
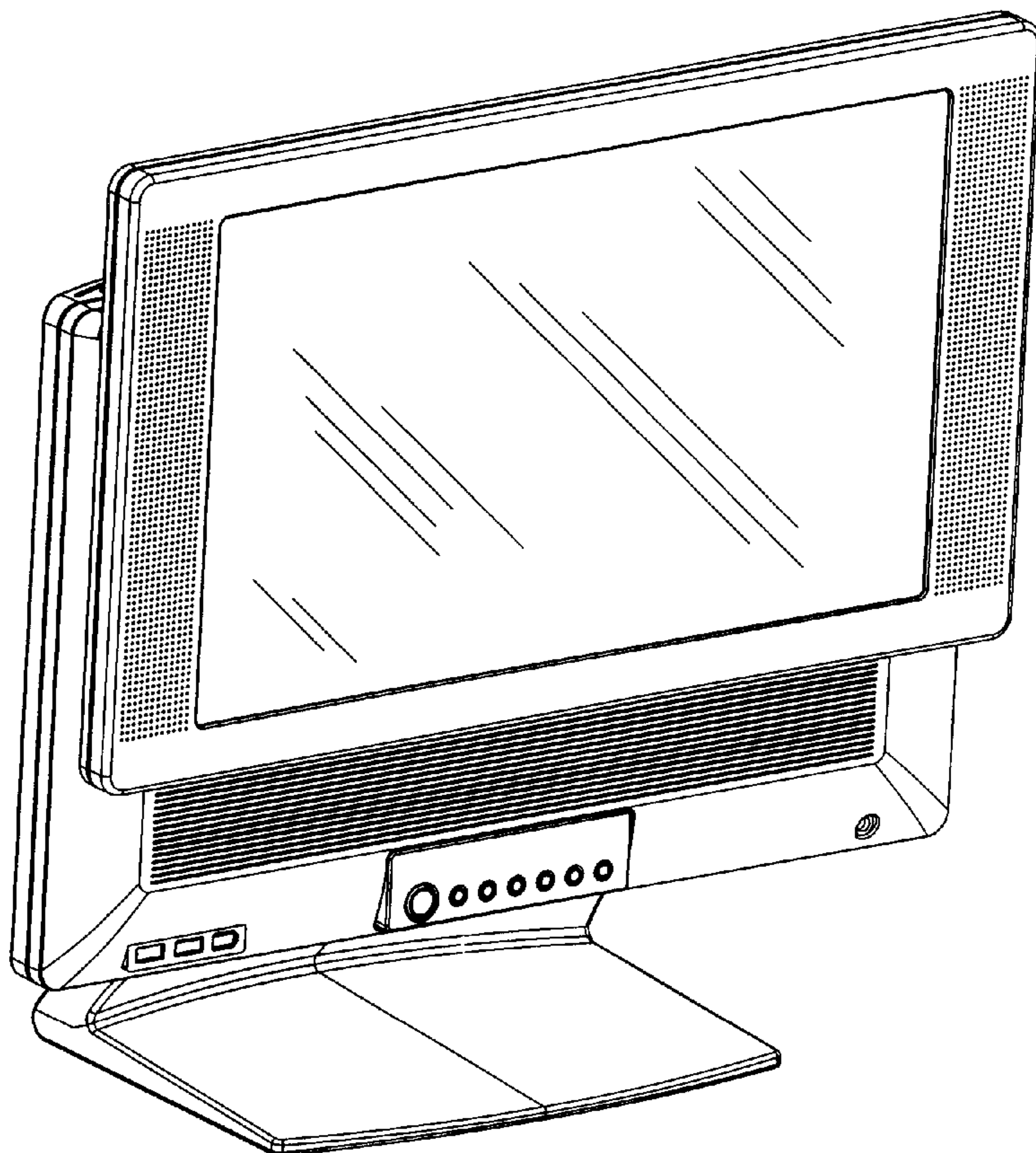
(57) **CLAIM**

We claim the ornamental design for a desktop computer, as shown.

DESCRIPTION

FIG. 1 is a perspective view of a desktop computer according to the present invention; FIG. 2 is a front view of the desktop computer of FIG. 1; FIG. 3 is a side view of the desktop computer of FIG. 1; FIG. 4 is a rear view of the desktop computer of FIG. 1; FIG. 5 is an opposite side view of the desktop computer of FIG. 1; and, FIG. 6 is a top view of the desktop computer of FIG. 1.

1 Claim, 4 Drawing Sheets



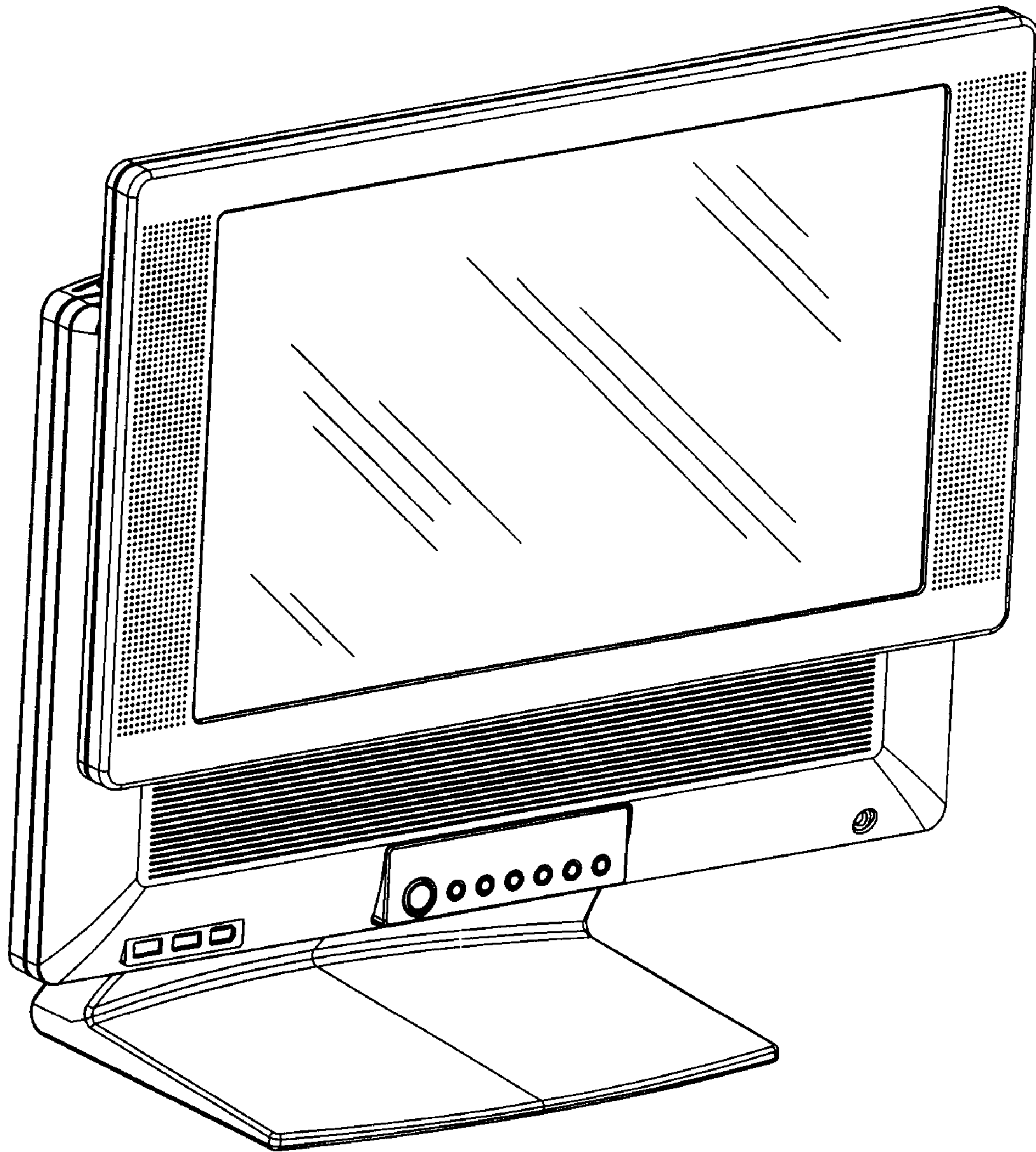


FIG. 1

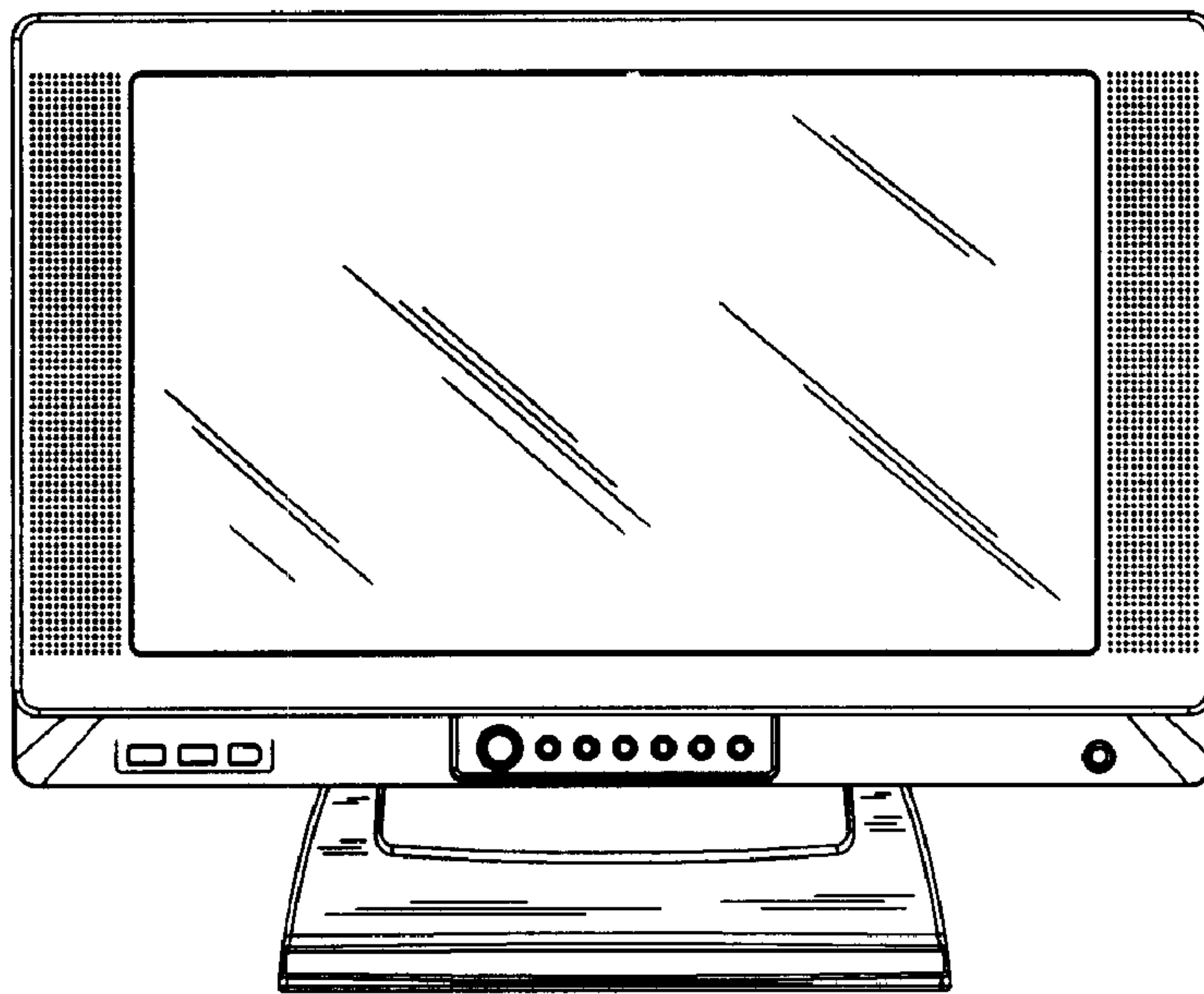


FIG. 2

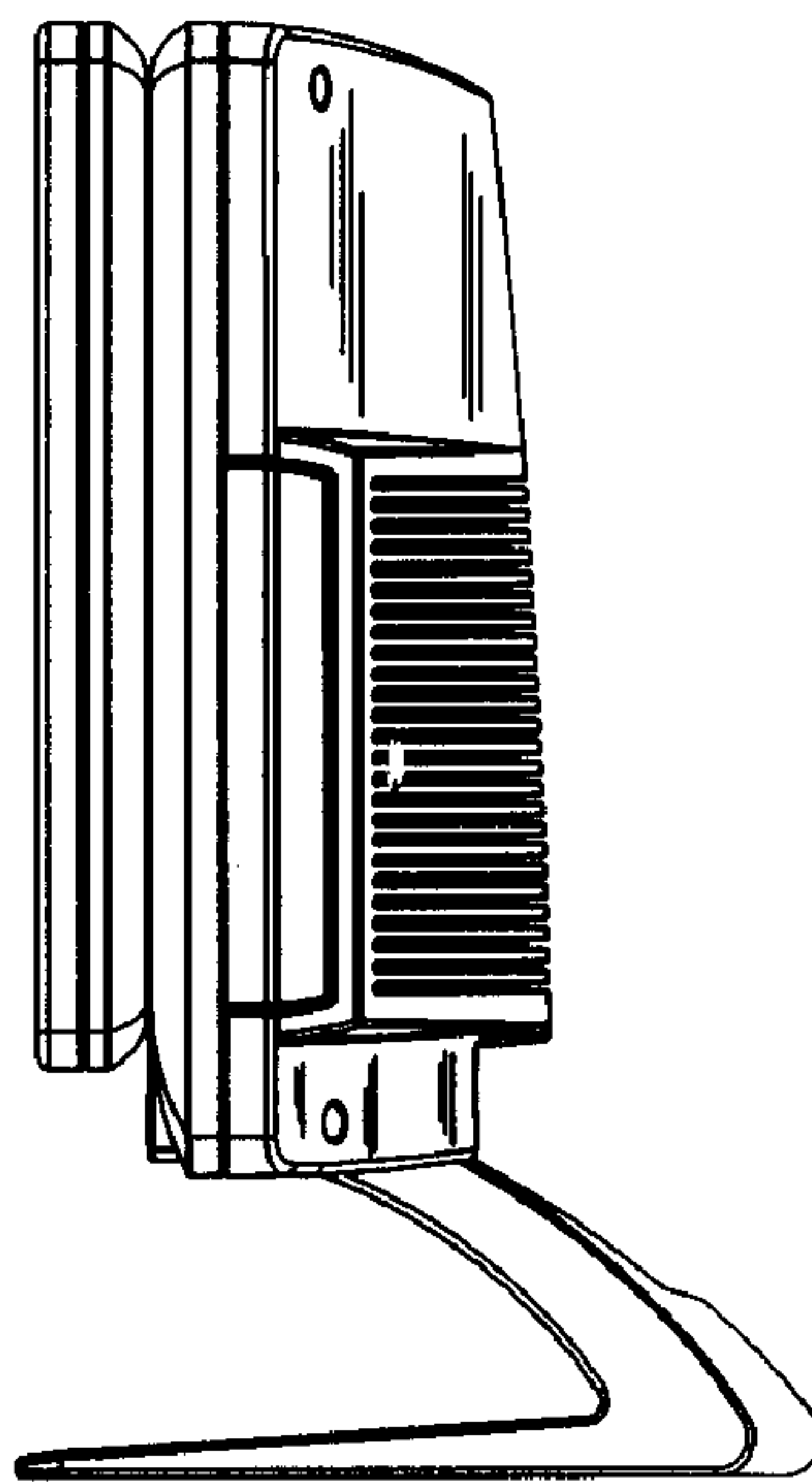


FIG. 3

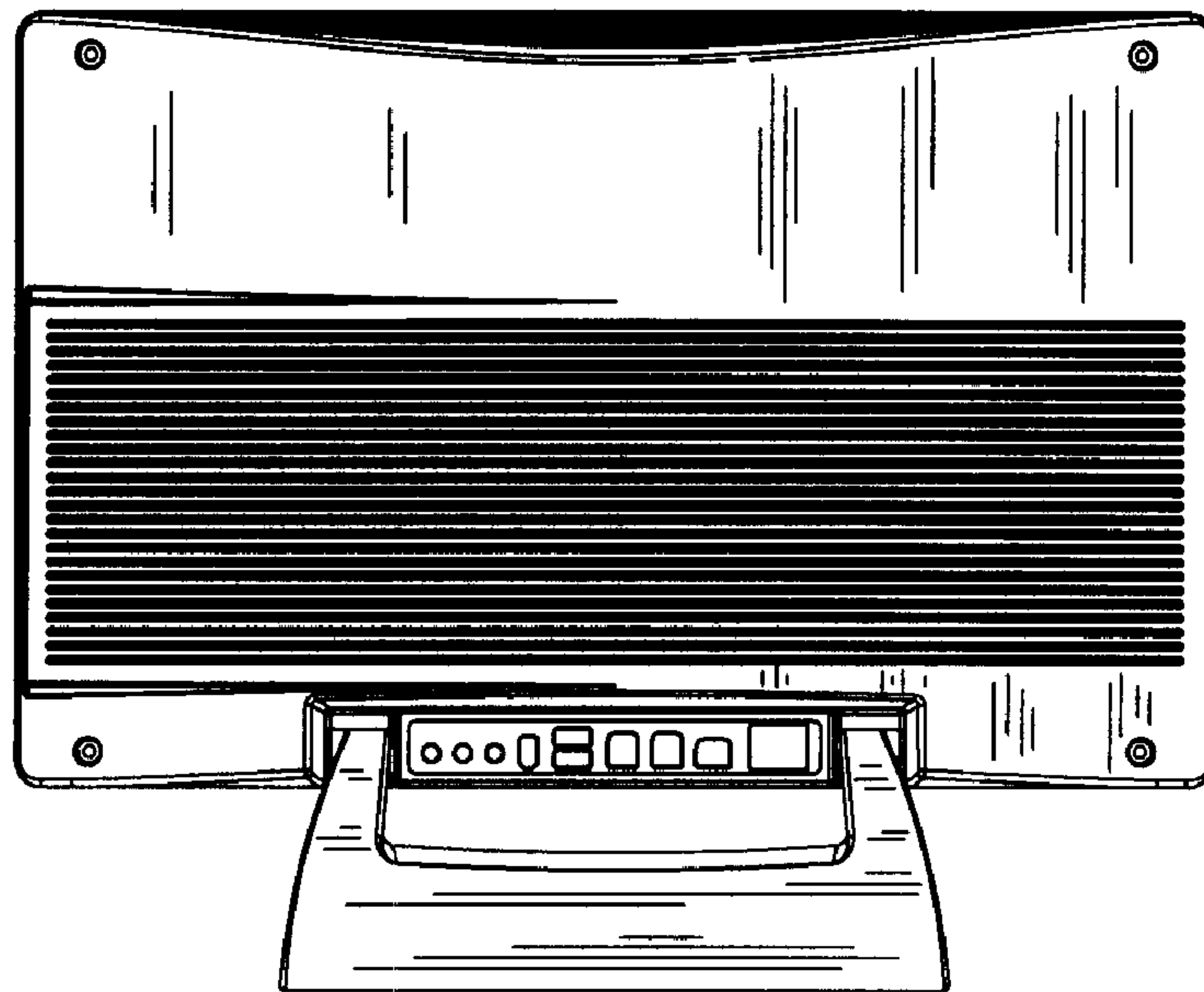


FIG. 4

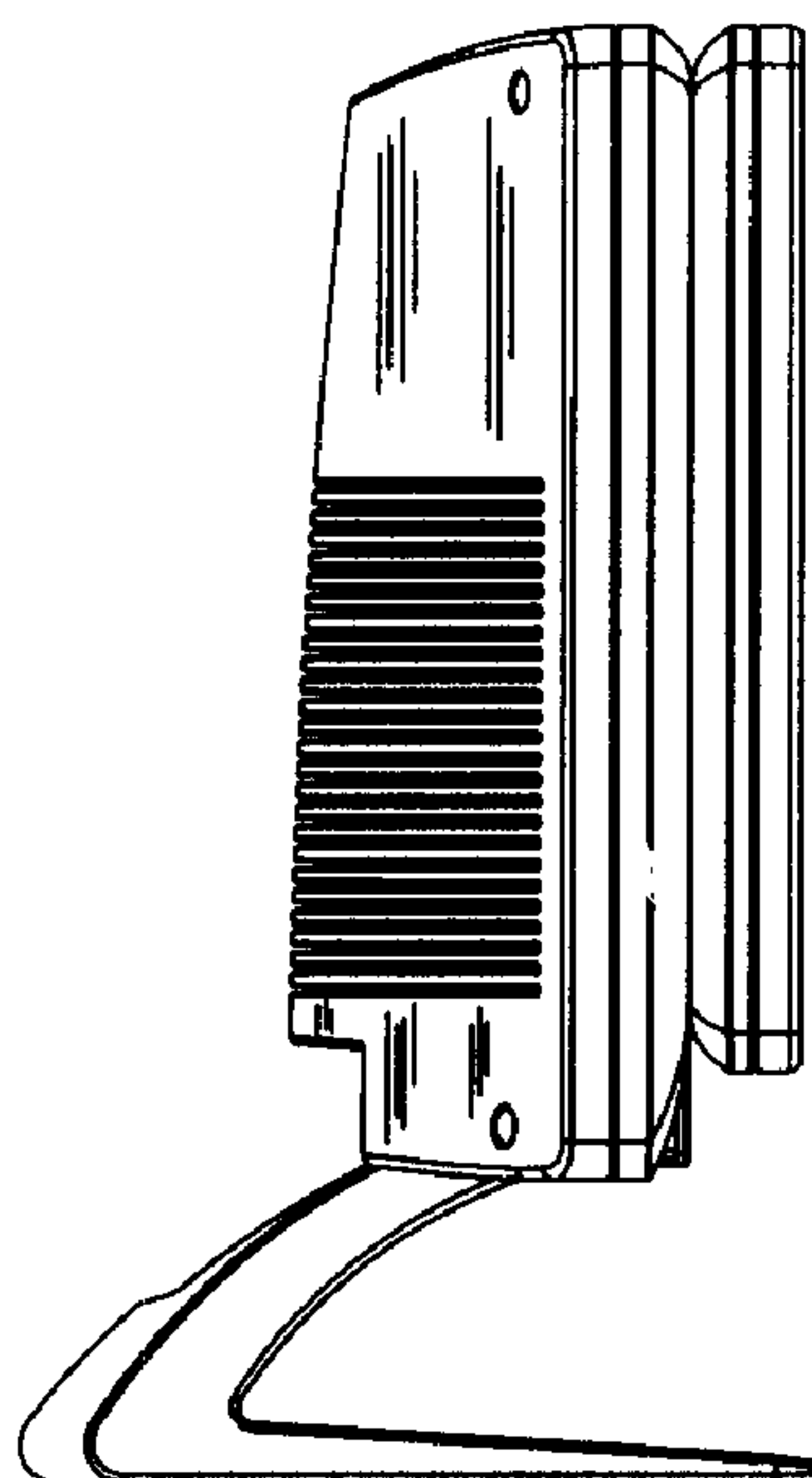


FIG. 5

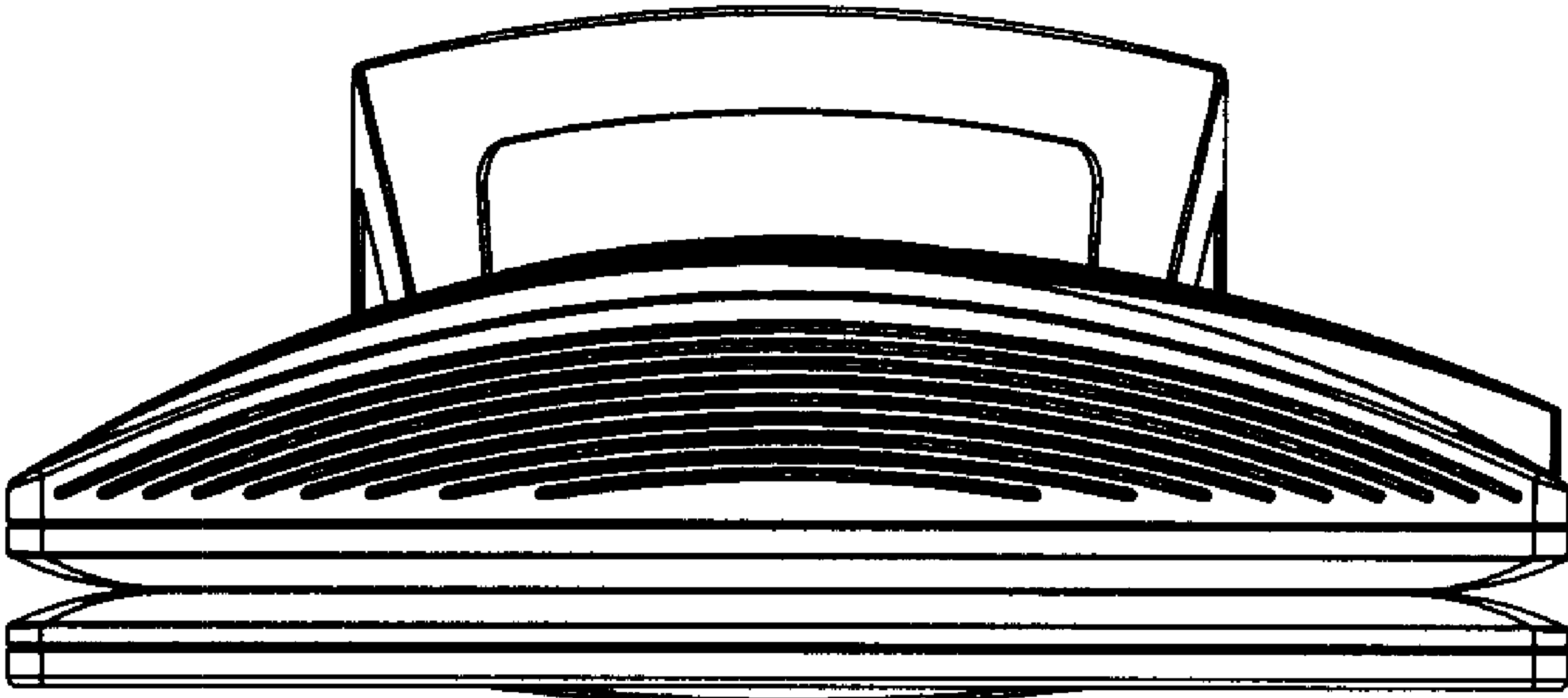


FIG. 6