

US00D504425S

(12) **United States Design Patent**  
**Ritson et al.**

(10) **Patent No.:** **US D504,425 S**

(45) **Date of Patent:** **\*\* Apr. 26, 2005**

(54) **COMPUTER HOUSING**

(75) Inventors: **Nigel D. Ritson**, Aldershot (GB); **Paul J. Garnett**, Camberley (GB)

(73) Assignee: **Sun Microsystems, Inc.**, Santa Clara, CA (US)

(\*\*) Term: **14 Years**

(21) Appl. No.: **29/172,887**

(22) Filed: **Dec. 18, 2002**

(30) **Foreign Application Priority Data**

Jun. 18, 2002 (GB) ..... 3004564

(51) **LOC (7) Cl.** ..... **14-02**

(52) **U.S. Cl.** ..... **D14/300**

(58) **Field of Search** ..... D14/300-313,  
D14/348-356, 367; 312/223.1; 361/683,  
684, 687, 690, 695, 724-730, 796

(56) **References Cited**

**U.S. PATENT DOCUMENTS**

3,710,199 A \* 1/1973 Cignoni, Jr. .... 361/727 X  
4,012,089 A \* 3/1977 Ward ..... 312/236

6,570,770 B1 \* 5/2003 Erskine et al. .... 361/796 X  
2002/0167796 A1 \* 11/2002 Page et al. .... 361/690  
2003/0030977 A1 \* 2/2003 Garnett et al. .... 361/687  
2003/0123222 A1 \* 7/2003 Thompson et al. .... 361/690

\* cited by examiner

*Primary Examiner*—Alan P. Douglas

(74) *Attorney, Agent, or Firm*—Meyertons Hood Kivlin  
Kowert & Goetzel, PC; B. Noël Kivlin

(57) **CLAIM**

The ornamental design for a computer housing, as shown and described.

**DESCRIPTION**

FIG. 1 is a front perspective view from above and one side of a computer housing.

FIG. 2 is a rear perspective view from below and other side of a computer housing.

FIG. 3 is a plan view of a computer housing

FIG. 4 is an underneath plan view of a computer housing.

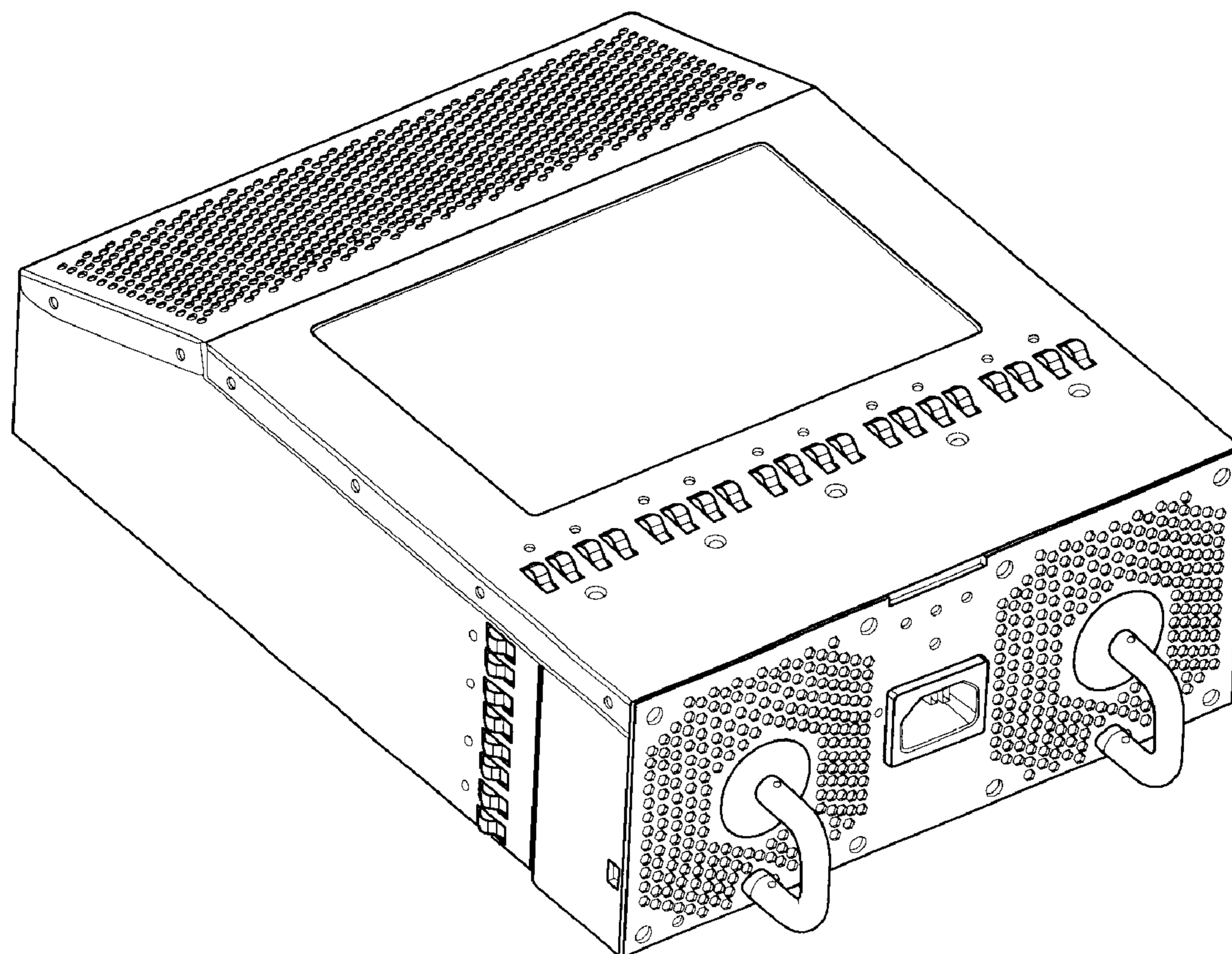
FIG. 5 is a side view of a computer housing.

FIG. 6 is an other side view of a computer housing.

FIG. 7 is a front view of a computer housing; and,

FIG. 8 is a rear view of a computer housing.

**1 Claim, 3 Drawing Sheets**



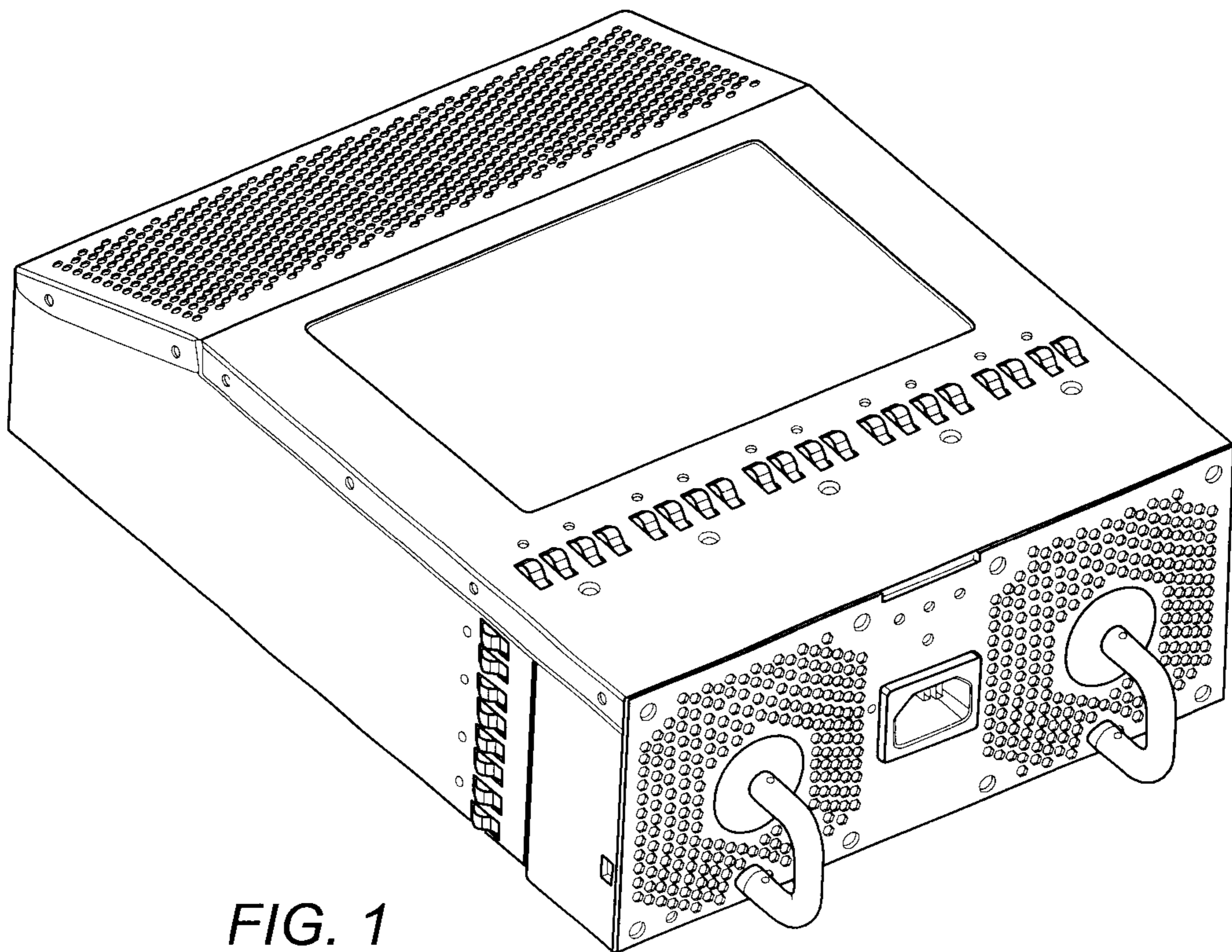


FIG. 1

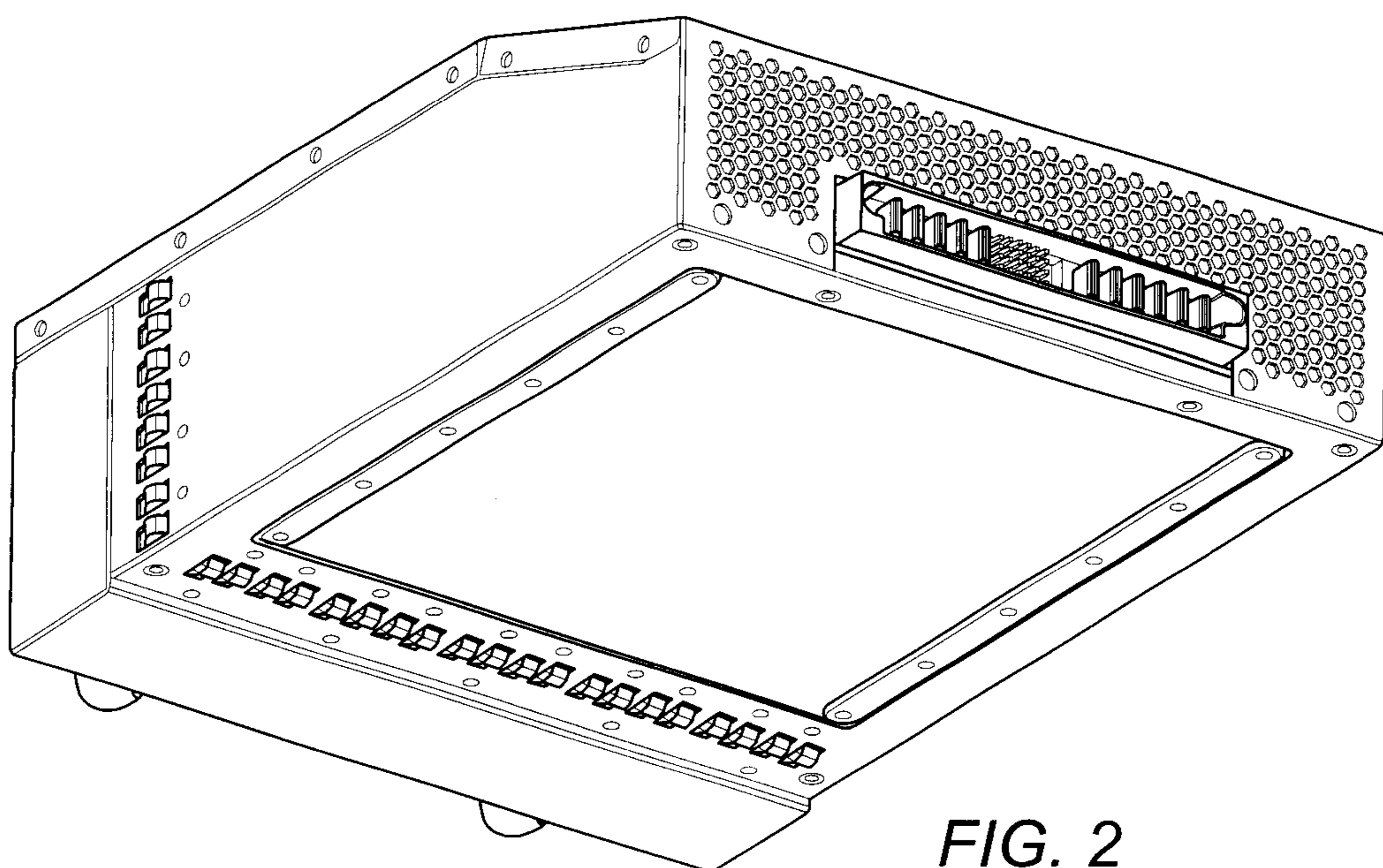


FIG. 2

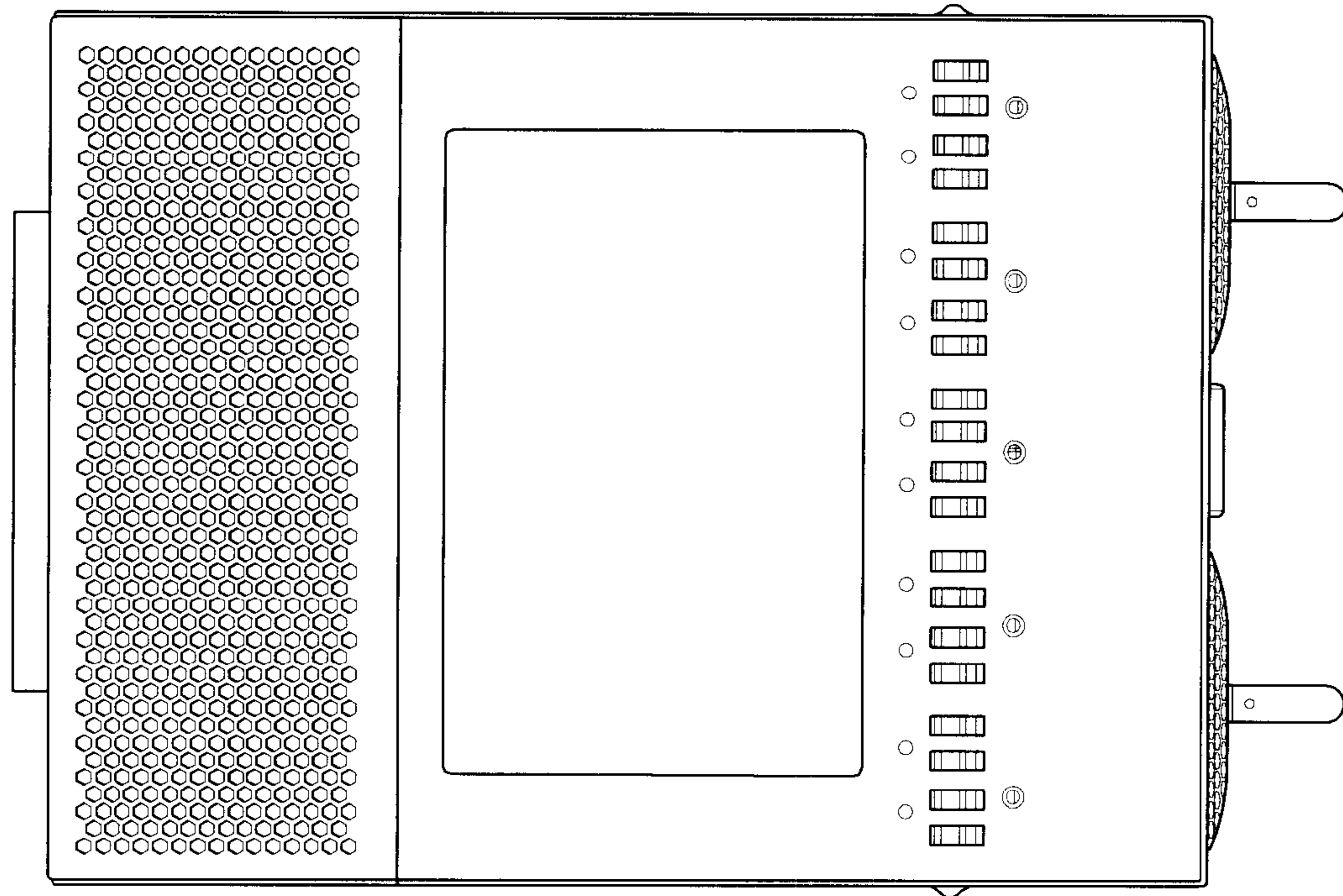


FIG. 3

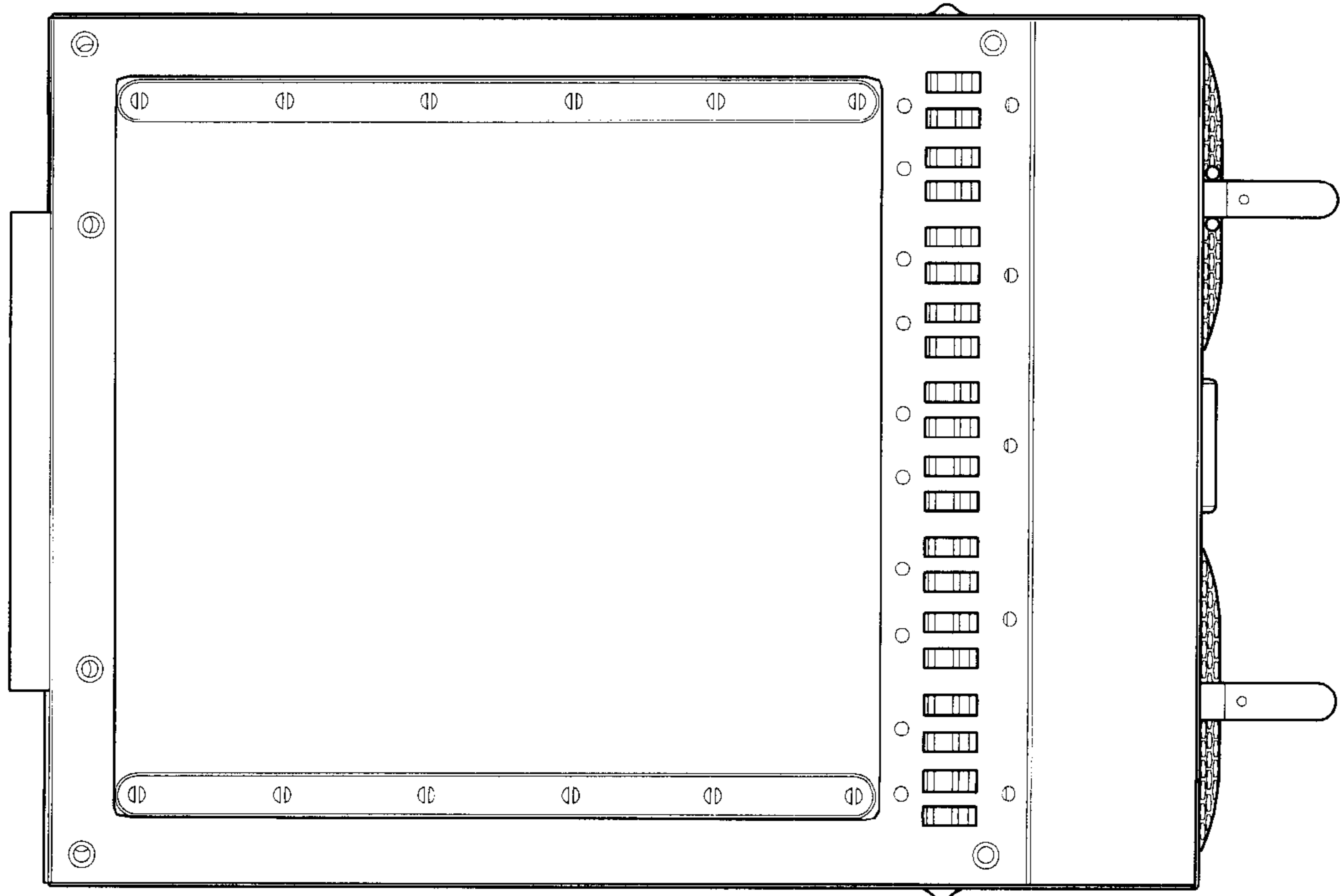


FIG. 4

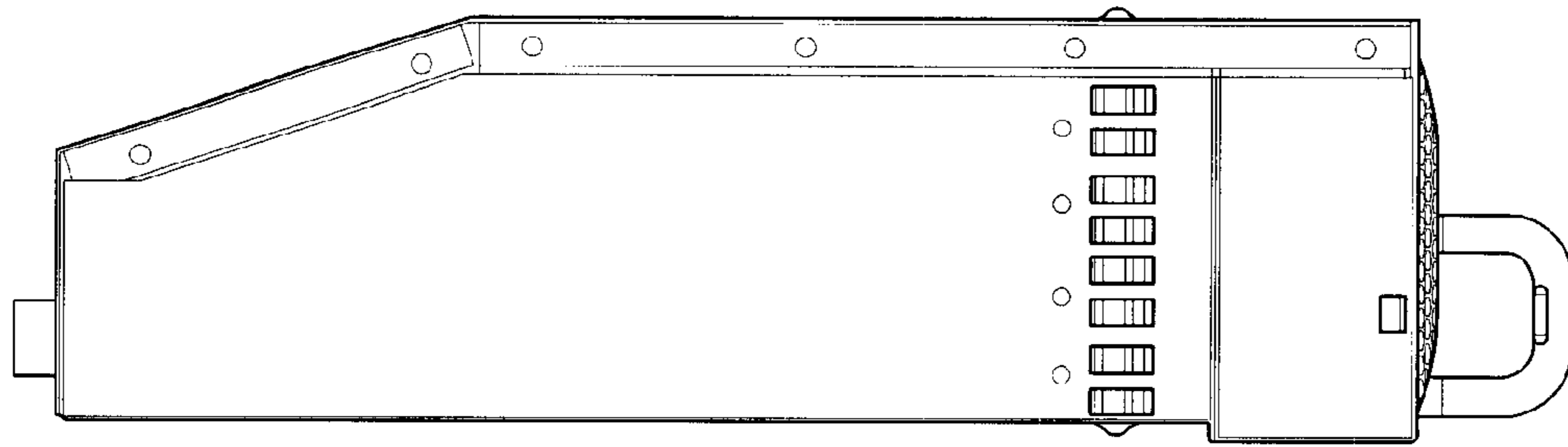


FIG. 5

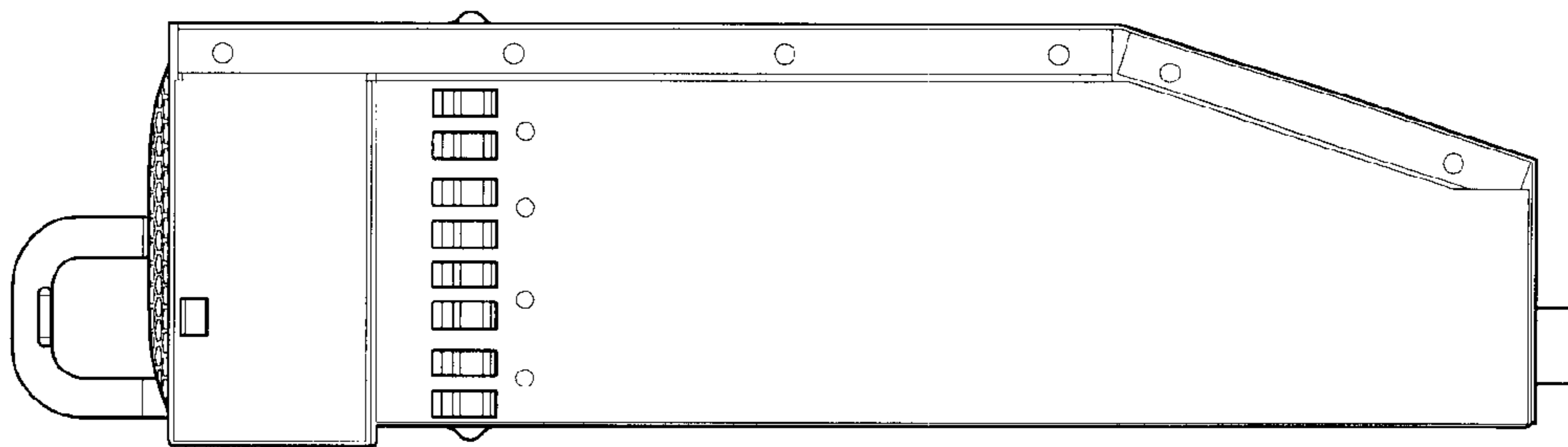


FIG. 6

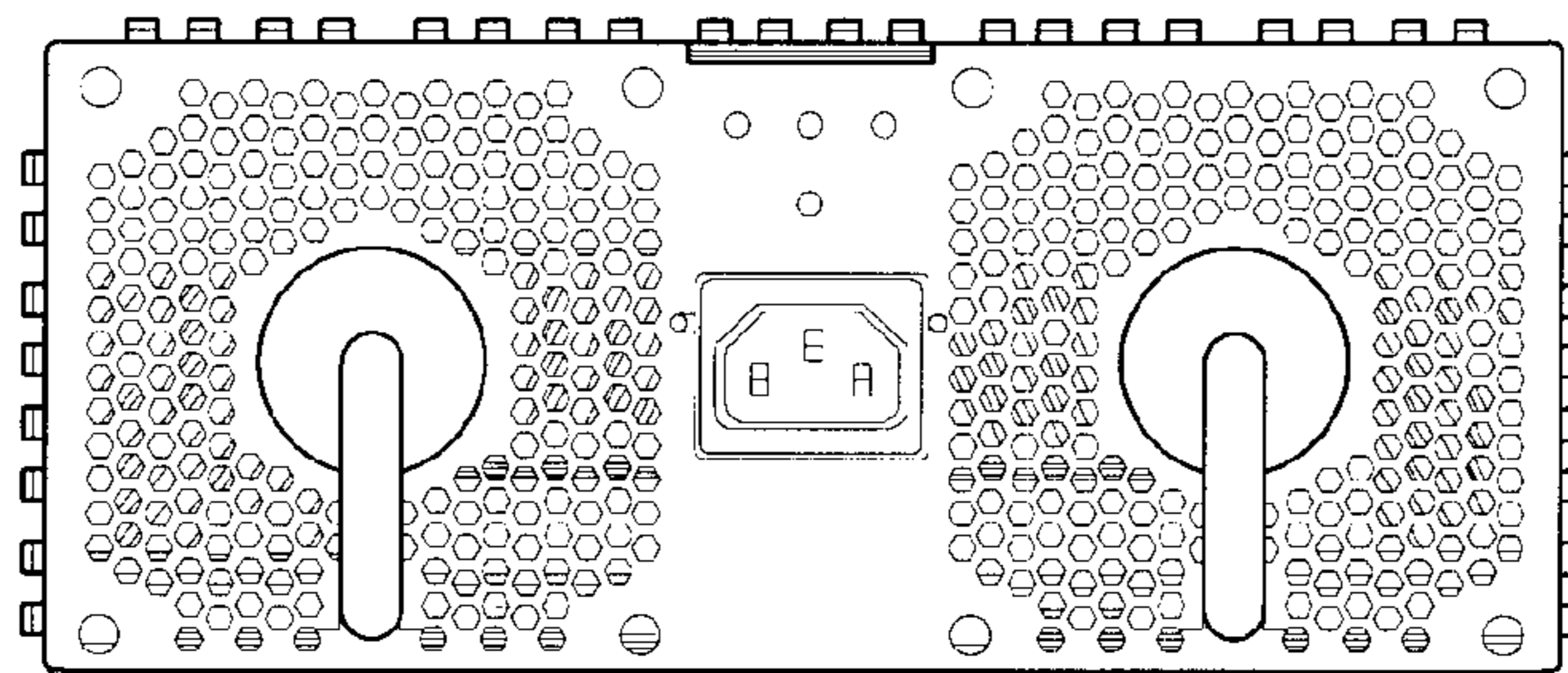


FIG. 7

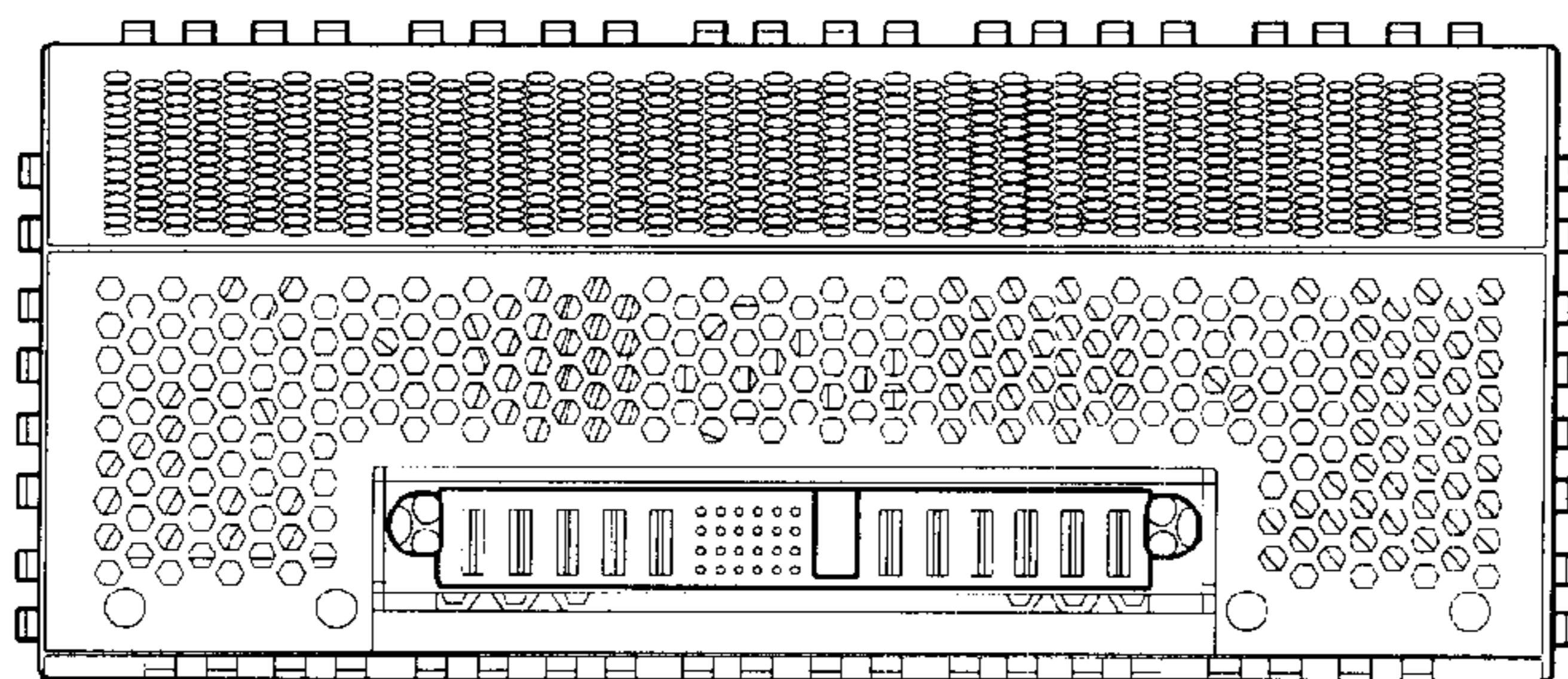


FIG. 8