

US00D504423S

(12) **United States Design Patent** (10) **Patent No.:** **US D504,423 S**
Quilling, II (45) **Date of Patent:** **** Apr. 26, 2005**

(54) **TRUCK STEREO MOUNTING DEVICE**

(75) Inventor: **R. Spencer Quilling, II**, Deland, FL (US)

(73) Assignee: **Metra Electronics Corporation**, Holly Hill, FL (US)

(**) Term: **14 Years**

(21) Appl. No.: **29/201,506**

(22) Filed: **Mar. 17, 2004**

(51) **LOC (7) Cl.** **14-01**

(52) **U.S. Cl.** **D14/258; D14/224**

(58) **Field of Search** **D14/224, 229, D14/258, 204, 217; D12/223; 248/27.1, 27.3, 220.2, 221.3, 221.4, 558; 403/4; 455/345; 361/685**

(56) **References Cited**

U.S. PATENT DOCUMENTS

5,106,039 A	4/1992	Gross	
5,467,947 A	11/1995	Quilling, II	
D401,591 S	11/1998	Jones, Jr.	
D418,838 S	1/2000	Jones, Jr.	
D478,903 S	* 8/2003	Metzler	D14/257
D481,378 S	10/2003	Quilling, II et al.	
D481,707 S	11/2003	Quilling, II et al.	
D482,023 S	11/2003	Quilling, II et al.	
D482,024 S	11/2003	Quilling, II et al.	
D483,027 S	12/2003	Quilling, II et al.	
D484,495 S	12/2003	Quilling, II et al.	
D485,260 S	1/2004	Quilling, II et al.	
D488,462 S	* 4/2004	Quilling et al.	D14/224
D492,287 S	* 6/2004	Quilling, II	D14/224
D492,668 S	* 7/2004	Quilling, II	D14/224
D496,354 S	* 9/2004	Quilling, II	D14/224

OTHER PUBLICATIONS

Metra 2001 Autosound Installation Products Catalog, pp. Cover, 1-62, Published May 2001.

Metra 2002 Autosound Installation Products Catalog, Cover, pp. 6-64, Published Oct. 2002.

U.S. Appl. No. 29/176,652, filed Feb. 23, 2003, Quilling.
 U.S. Appl. No. 29/201,505, filed Mar. 17, 2004, Quilling.
 U.S. Appl. No. 29/201,504, filed Mar. 17, 2004, Quilling.
 U.S. Appl. No. 29/201,507, filed Mar. 17, 2004, Quilling.
 U.S. Appl. No. 29/188,825, filed Aug. 26, 2003, Quilling.
 U.S. Appl. No. 29/188,824, filed Aug. 26, 2003, Quilling.
 U.S. Appl. No. 29/188,820, filed Aug. 26, 2003, Quilling.
 U.S. Appl. No. 29/188,821, filed Aug. 26, 2003, Quilling.
 U.S. Appl. No. 29/188,823, filed Aug. 26, 2003, Quilling.
 U.S. Appl. No. 29/188,822, filed Aug. 26, 2003, Quilling.

* cited by examiner

Primary Examiner—Paula A. Greene

(74) *Attorney, Agent, or Firm*—Fitzpatrick, Cella, Harper & Scinto

(57) **CLAIM**

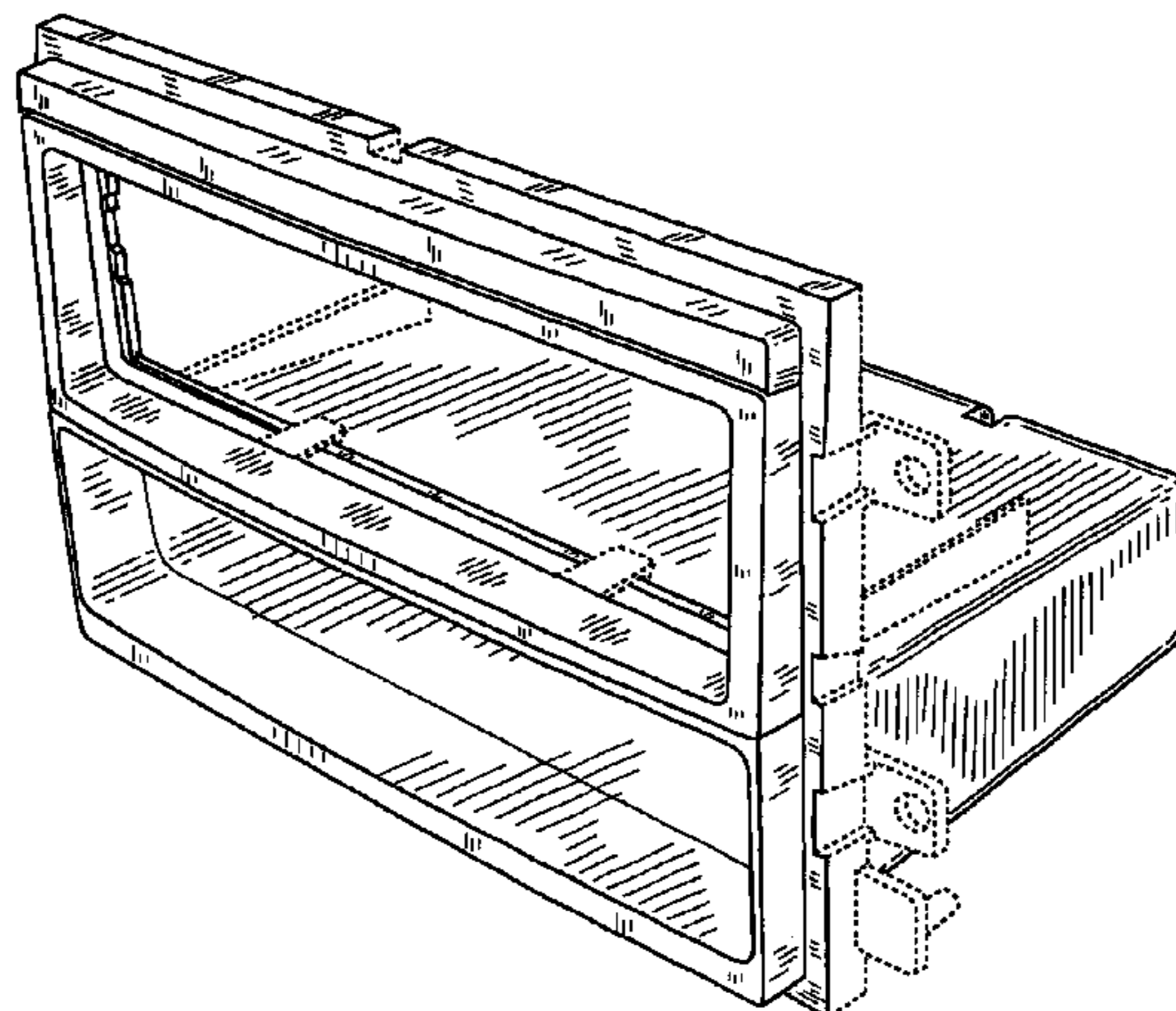
I claim the ornamental design for a truck stereo mounting device, as shown and described.

DESCRIPTION

FIG. 1 is a right front perspective view of a truck stereo mounting device, showing my design;
 FIG. 2 is a top plan view of FIG. 1;
 FIG. 3 is a bottom plan view of FIG. 1;
 FIG. 4A is a right side elevation view of FIG. 1; the left side elevation being a mirror image thereof;
 FIG. 4B is a right side elevation in cross section view along line 4B—4B of FIG. 2, to better illustrate certain features of the disclosed design;
 FIG. 5 is a front elevation view of FIG. 1; and,
 FIG. 6 is a rear elevation view of FIG. 1.

The appearance of our design for a truck stereo mounting device, characterized by a front surface intersected by a planar opening and flange for accepting a single DIN autosound head unit, and a pocket. The mounting structure shown in dotted line forms no part of the claimed design.

1 Claim, 7 Drawing Sheets



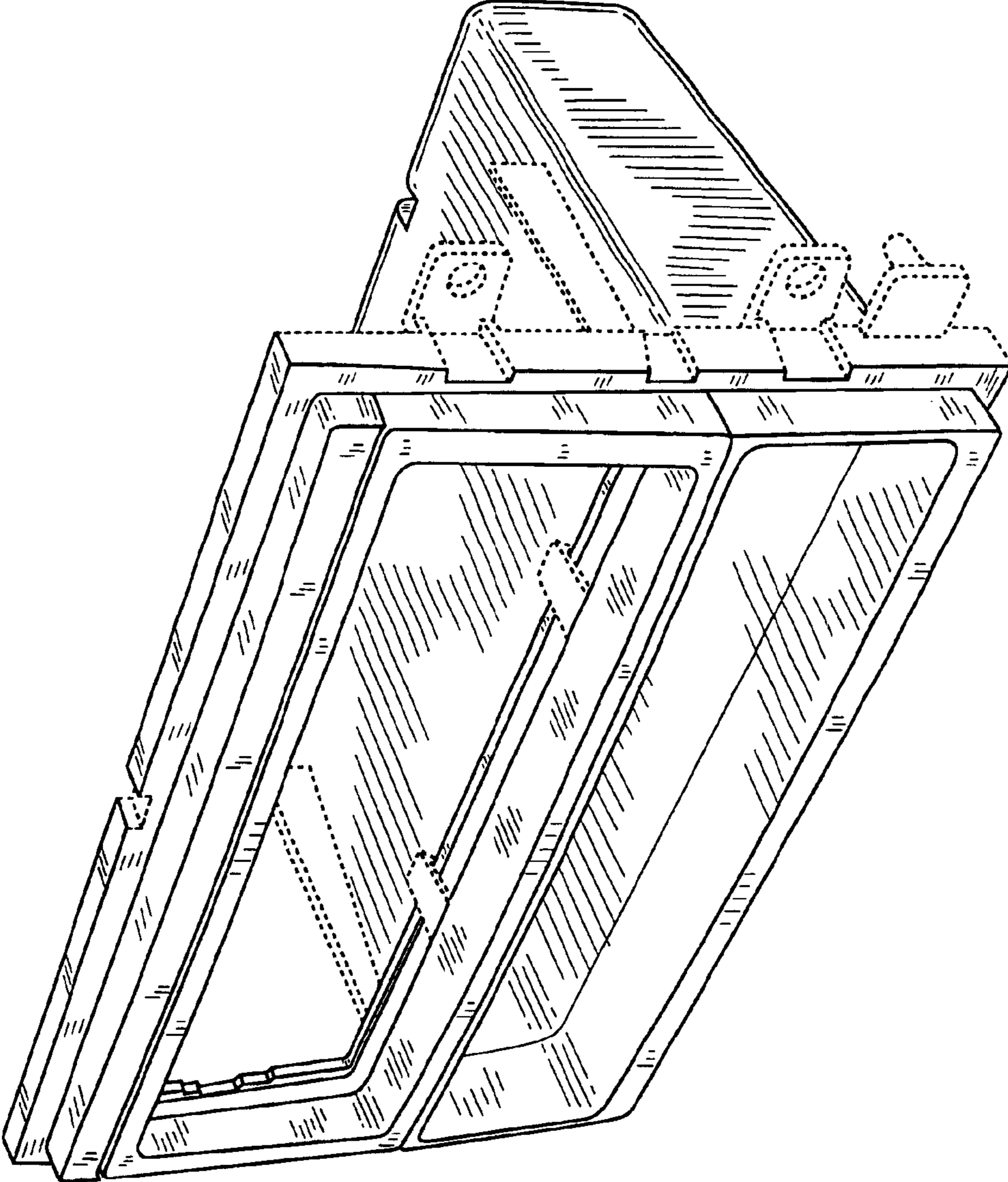


FIG. 1

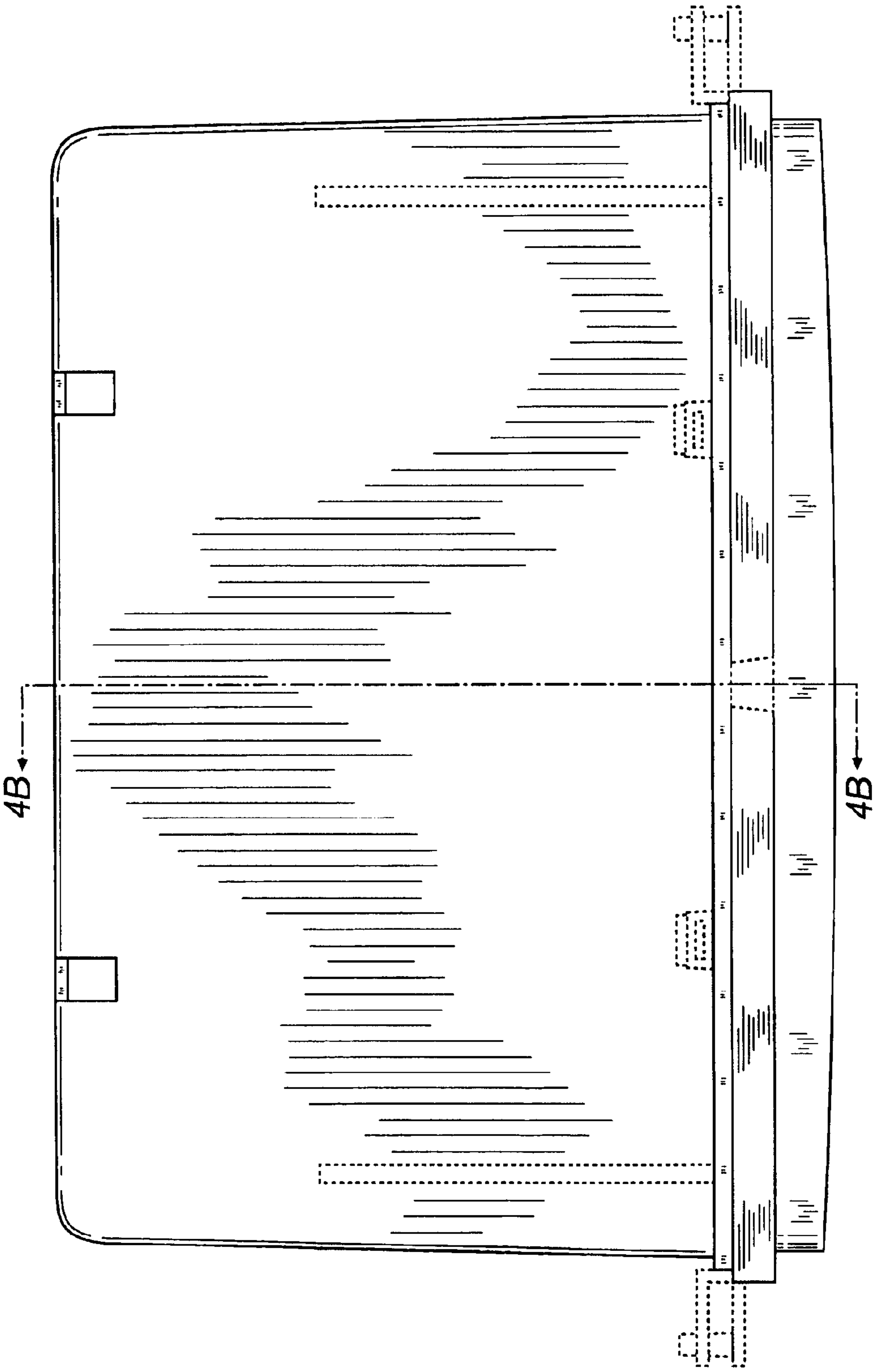


FIG. 2

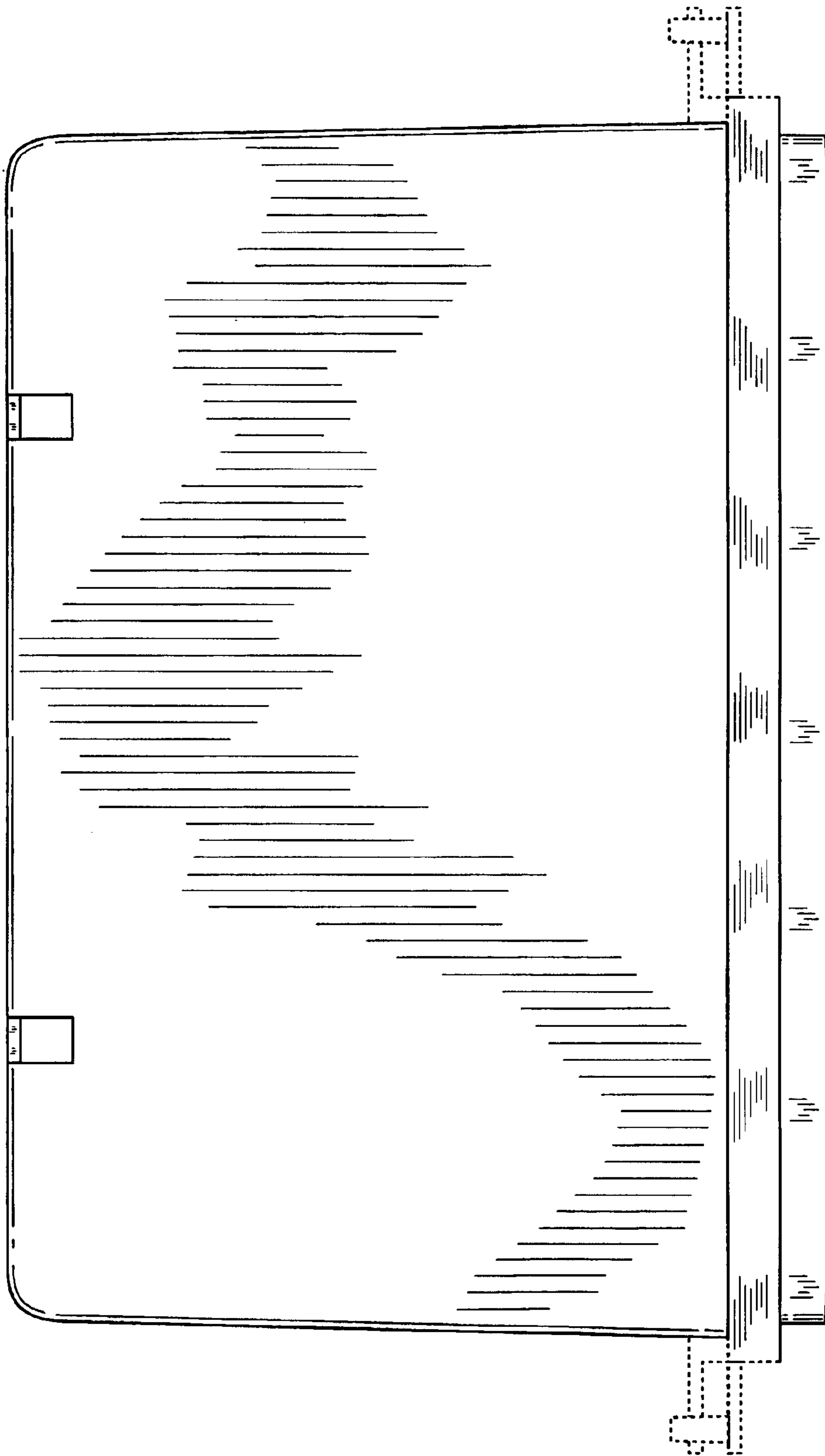


FIG. 3

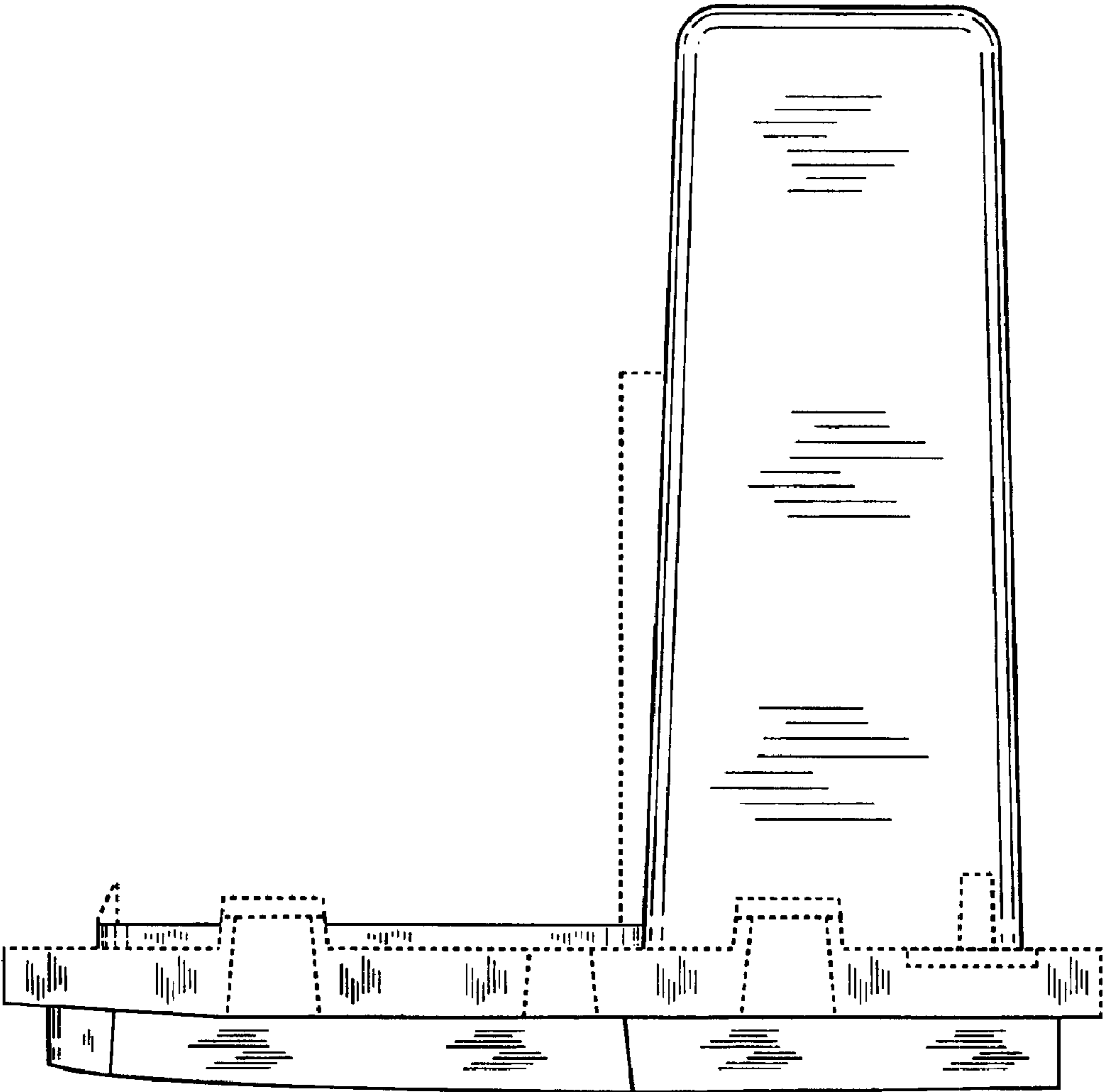


FIG. 4A

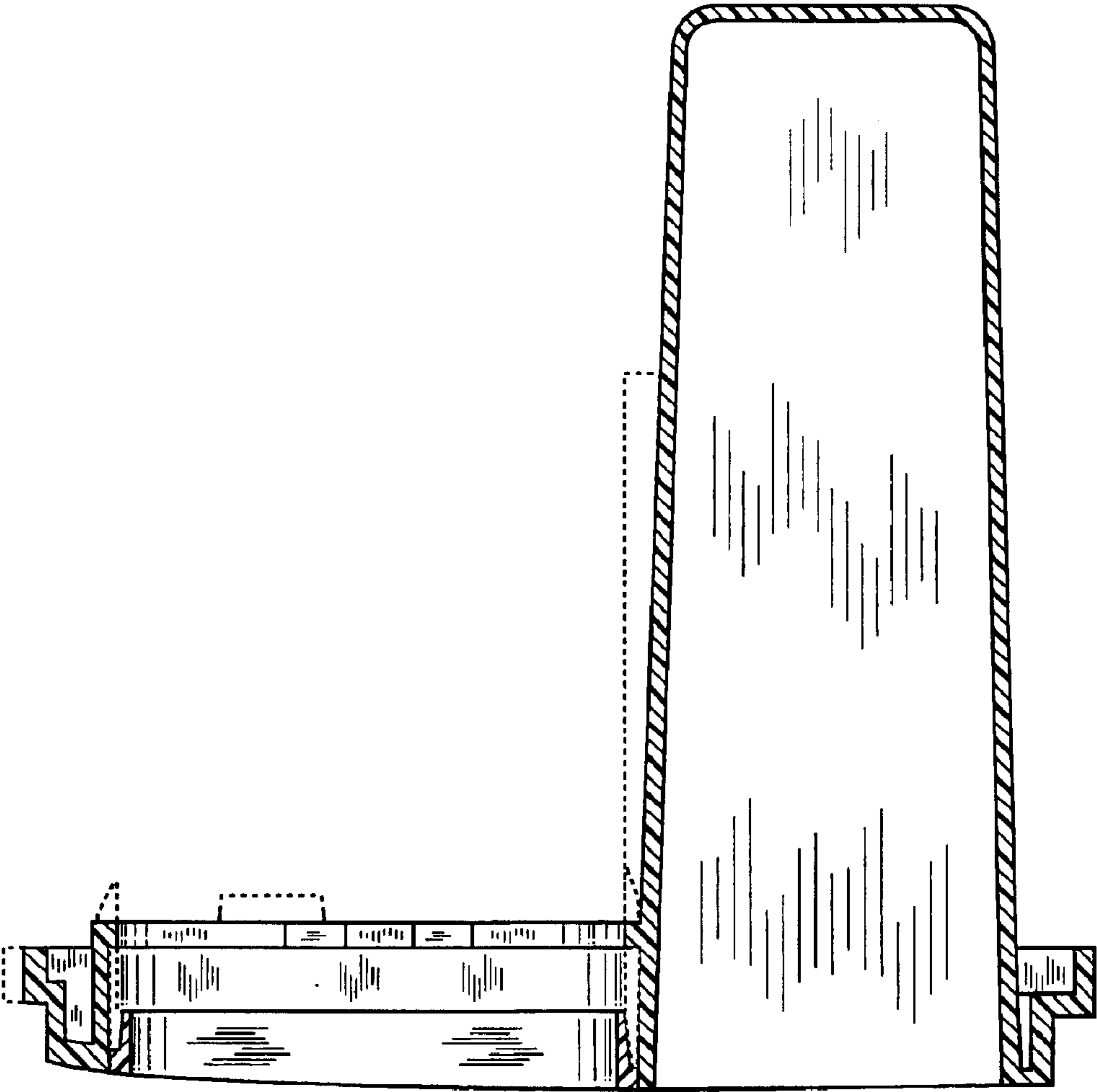


FIG. 4B

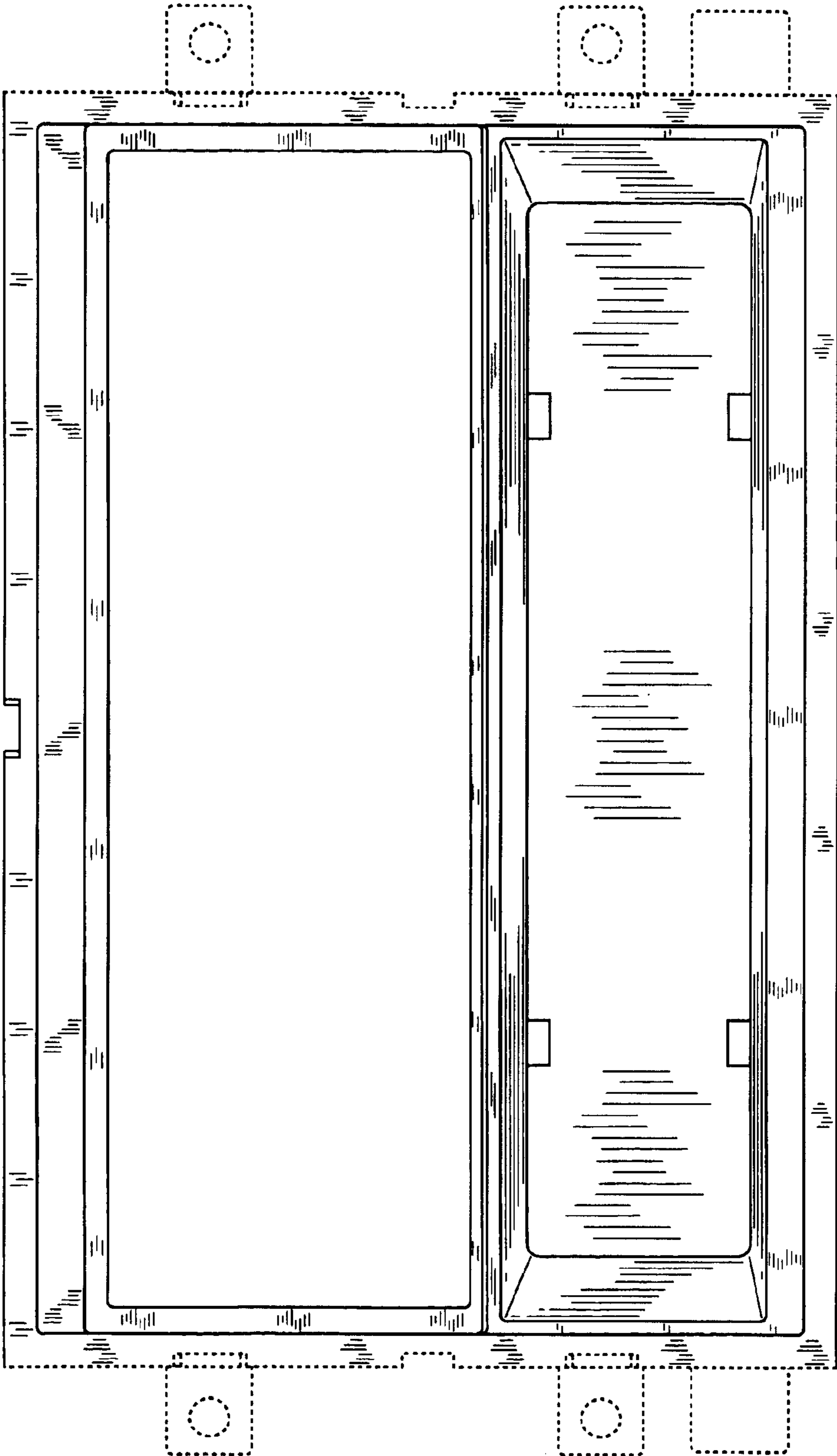


FIG. 5

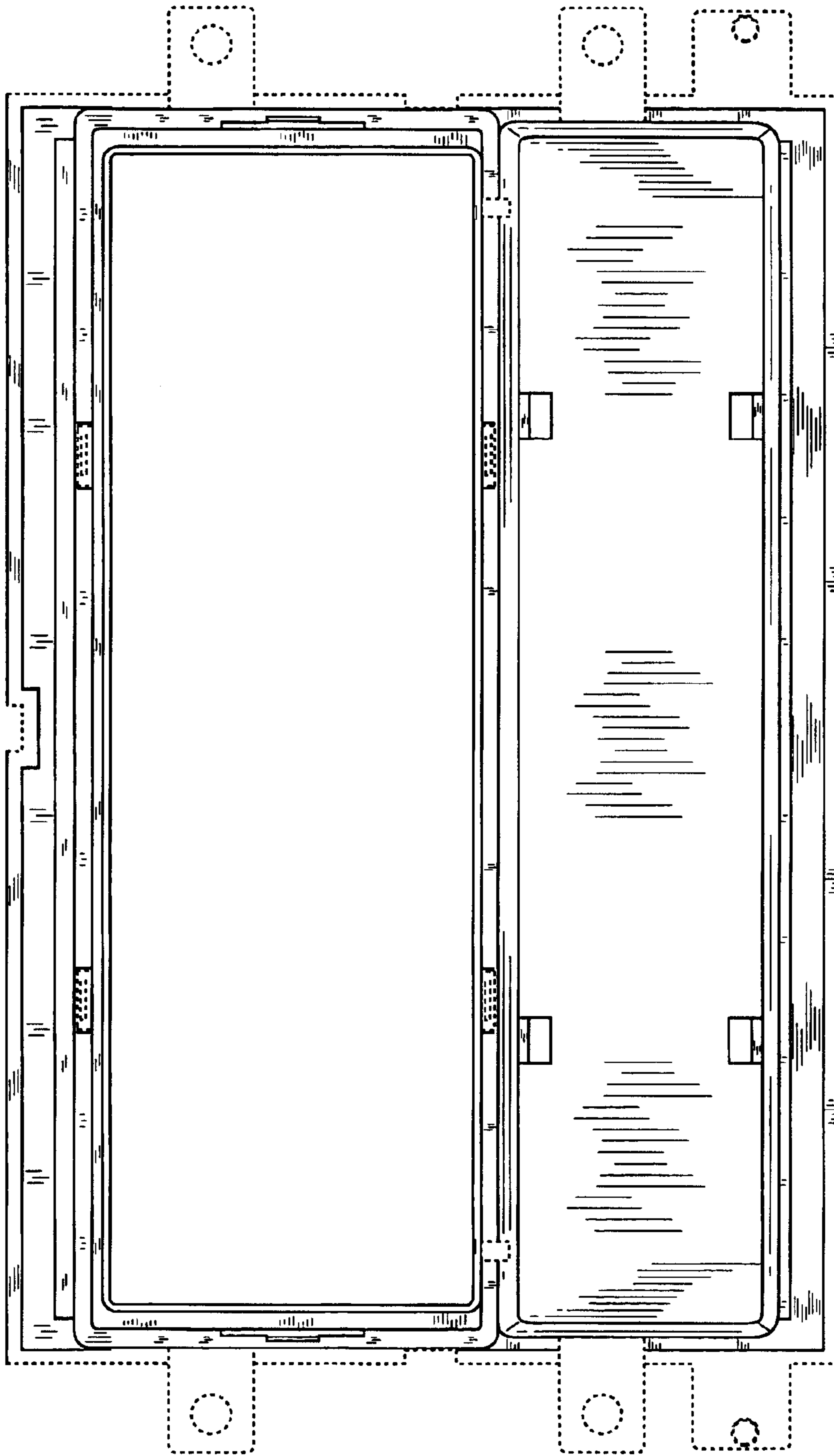


FIG. 6