

US00D504418S

(12) **United States Design Patent**
Kotsatos et al.

(10) **Patent No.:** **US D504,418 S**
(45) **Date of Patent:** **** Apr. 26, 2005**

(54) **HANDLE**

(75) **Inventors:** **Andrew Kotsatos**, Arlington, MA (US);
Doug Hogue, Peabody, MA (US);
David G. Kroll, North Attleboro, MA
(US); **Stephen Mills**, Atkinson, NH
(US); **Carol Catalano**, South Hamilton,
MA (US)

(73) **Assignee:** **Boston Acoustics, Inc.**, Peabody, MA
(US)

(**) **Term:** **14 Years**

(21) **Appl. No.:** **29/206,836**

(22) **Filed:** **Jun. 3, 2004**

Related U.S. Application Data

(63) Continuation of application No. 10/256,273, filed on Sep.
26, 2002, now Pat. No. 6,748,627.

(51) **LOC (7) Cl.** **14-01**

(52) **U.S. Cl.** **D14/221**

(58) **Field of Search** D8/300, 312-314,
D8/DIG. 1; D14/204, 207, 209-216, 221,
217; 16/416, 110.1, 111.1; 181/143-145,
147-148, 150, 153, 157, 198-199; 220/771,
776; 292/336.3; 381/300-302, 306, 333,
345, 361-364, 386-388

(56) **References Cited**

U.S. PATENT DOCUMENTS

D121,562 S * 7/1940 Borchers D8/313

| | | | | | |
|--------------|---|---------|----------------|-------|---------|
| 4,093,327 A | * | 6/1978 | Linger | | 312/244 |
| 4,843,624 A | * | 6/1989 | Rashak | | 181/199 |
| D319,060 S | * | 8/1991 | Rashak | | D14/195 |
| 5,134,754 A | * | 8/1992 | Vickers | | 16/416 |
| D375,499 S | * | 11/1996 | Meyer et al. | | D14/214 |
| D385,474 S | * | 10/1997 | Rechberg | | D8/313 |
| D391,137 S | * | 2/1998 | Moebius | | D8/313 |
| D402,528 S | * | 12/1998 | Brucker | | D8/313 |
| 5,927,836 A | * | 7/1999 | Herr et al. | | 312/244 |
| 5,996,728 A | * | 12/1999 | Stark | | 181/144 |
| D419,158 S | * | 1/2000 | Mackie et al. | | D14/214 |
| D433,012 S | * | 10/2000 | Arsenault | | D14/221 |
| D435,541 S | * | 12/2000 | Kataoka et al. | | D14/217 |
| D439,238 S | * | 3/2001 | Mackie et al. | | D14/214 |
| D444,457 S | * | 7/2001 | Kuo | | D14/214 |
| 6,561,311 B2 | * | 5/2003 | Chuang | | 181/199 |

* cited by examiner

Primary Examiner—Nanda Bondade

(74) *Attorney, Agent, or Firm*—Wolf, Greenfield & Sacks,
P.C.

(57) **CLAIM**

The ornamental design for a handle, as shown and described.

DESCRIPTION

FIG. 1 is a perspective view of a handle as seen from the
front, above and the side;

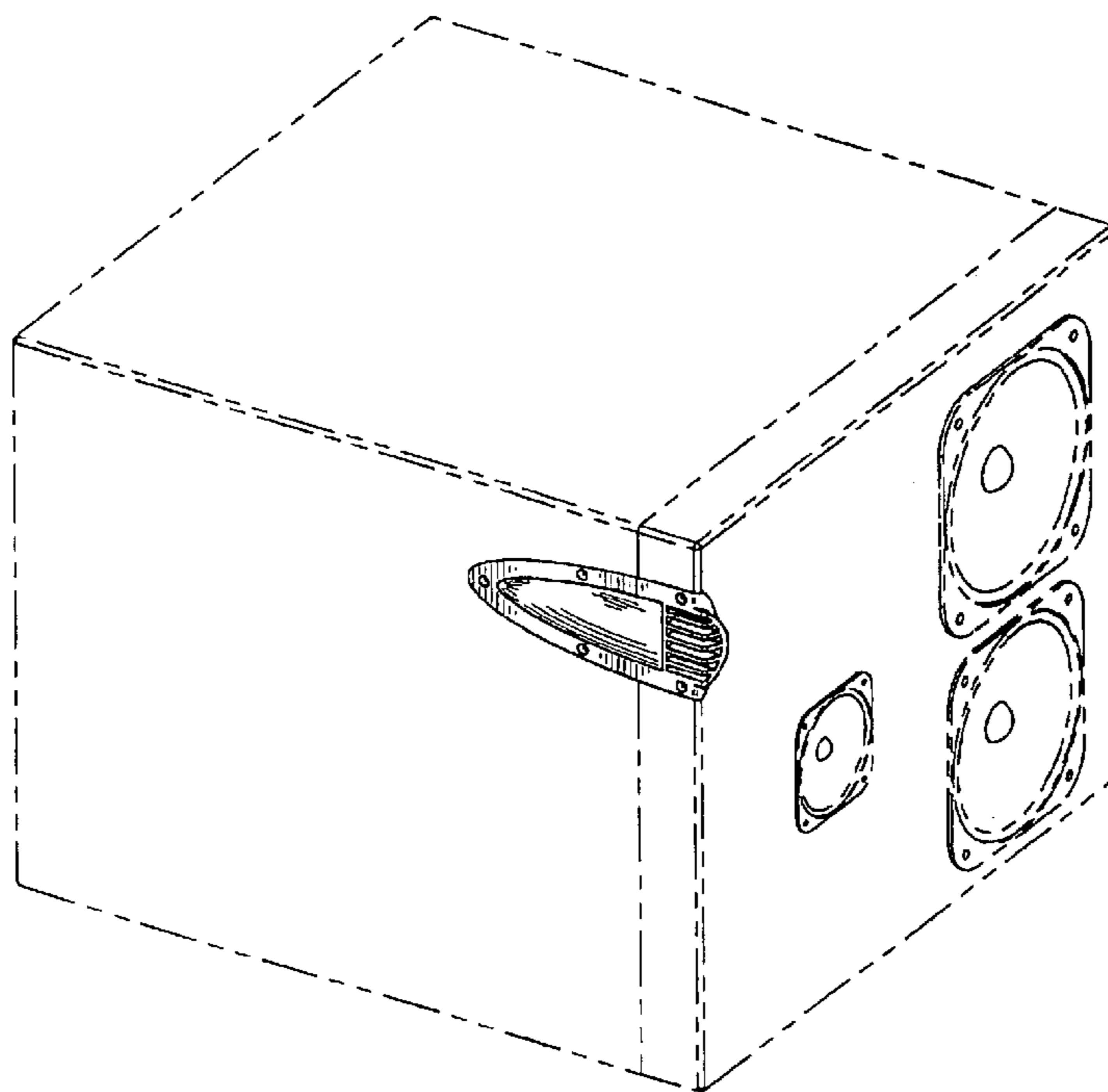
FIG. 2 is a top plan view thereof;

FIG. 3 is a side elevation view thereof; and,

FIG. 4 is a perspective view as seen from the back, above
and the side thereof.

The broken line showing on FIG. 1-4 is for illustrative
purposes only and forms no part of the claimed design.

1 Claim, 3 Drawing Sheets



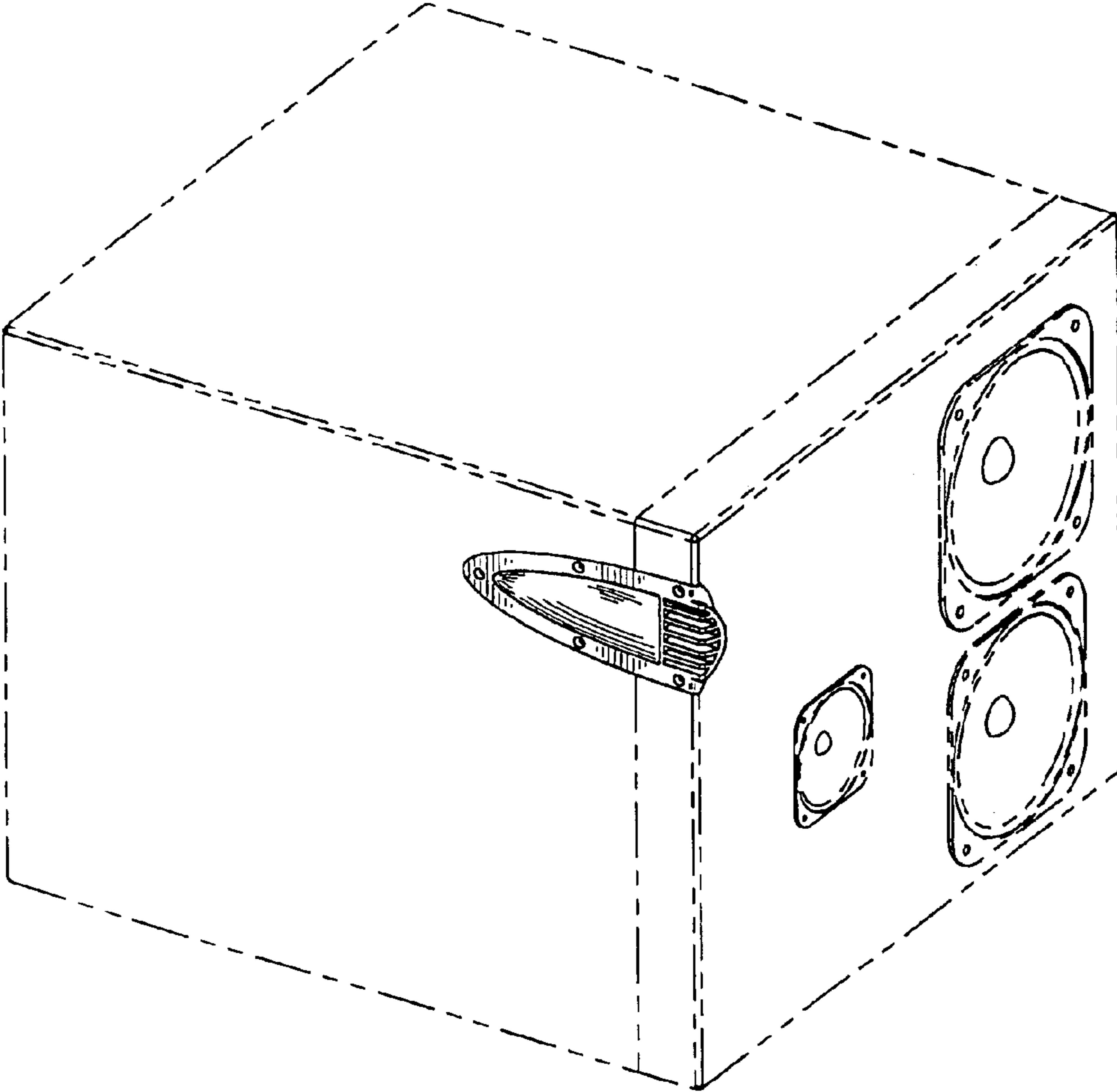


FIG. 1



FIG. 2

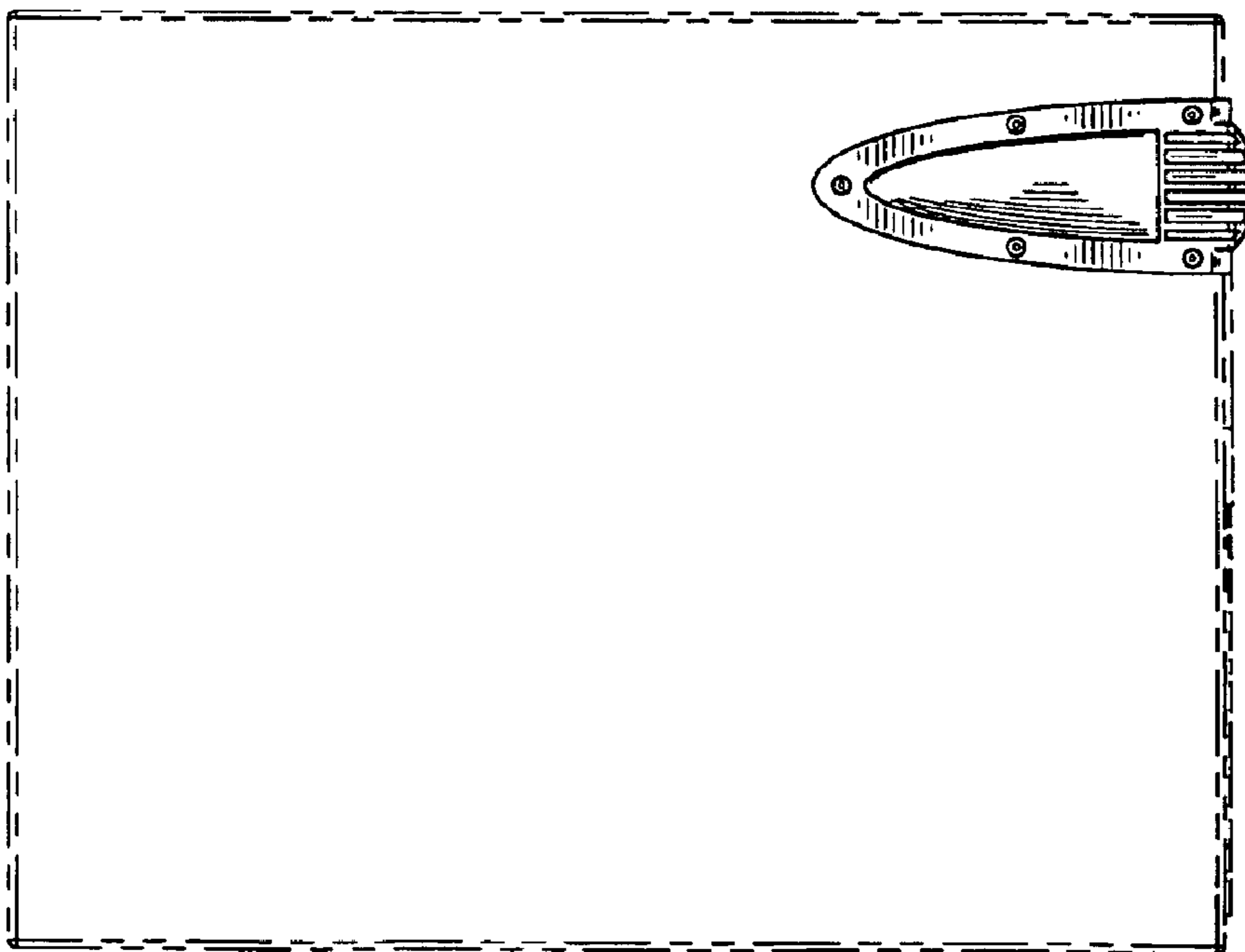


FIG. 3

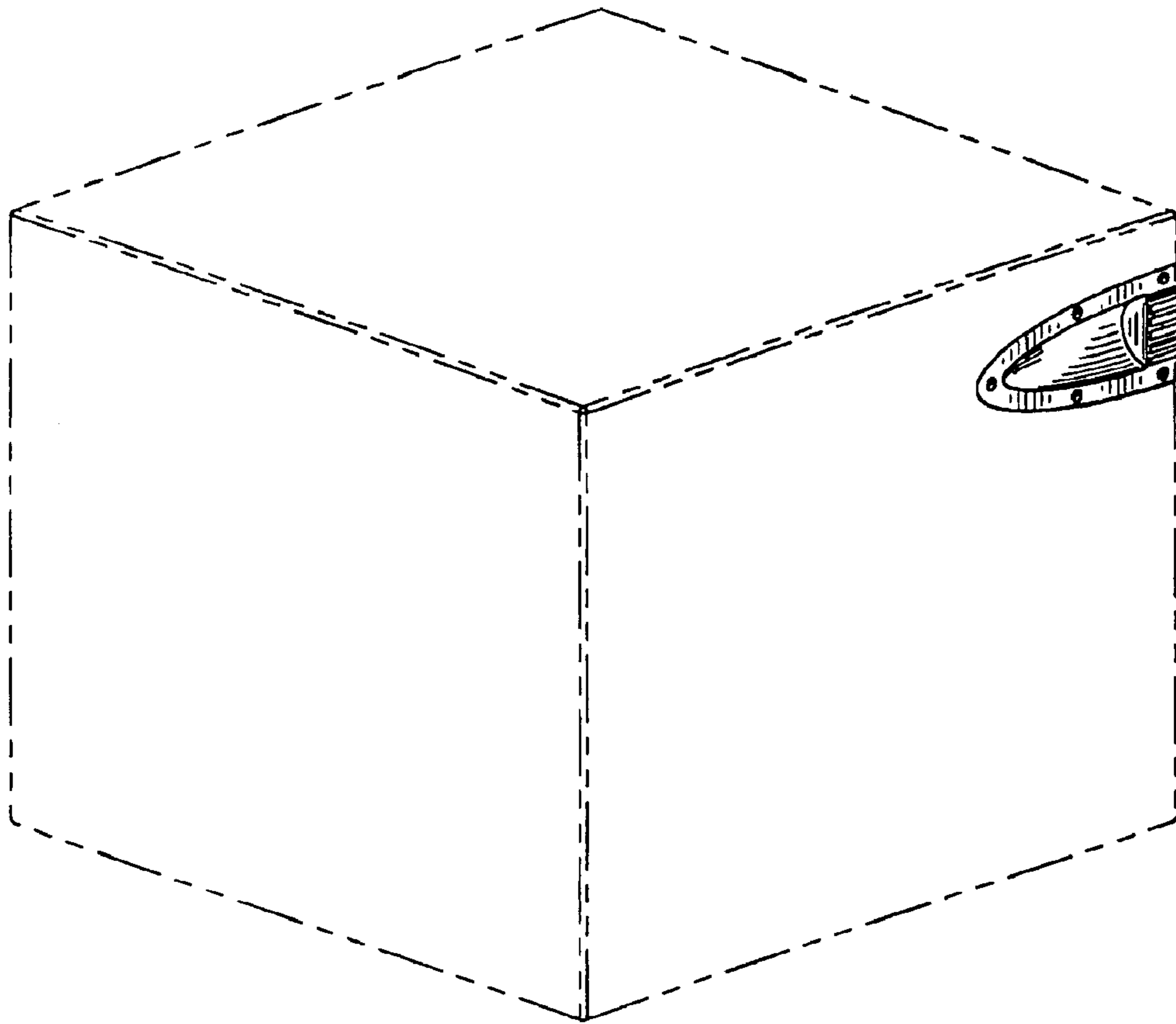


FIG. 4