

US00D504412S

(12) **United States Design Patent**
Obata et al.

(10) **Patent No.: US D504,412 S**

(45) **Date of Patent: ** Apr. 26, 2005**

(54) **COMBINED DISC PLAYER, RADIO
RECEIVER AND TAPE RECORDER**

D469,077 S * 1/2003 Jerome D14/168
D482,015 S * 11/2003 Ng D14/168
D486,468 S 2/2004 Suzuki

(75) Inventors: **Shinichi Obata**, Tokyo (JP); **Satoshi Suzuki**, Tokyo (JP)

* cited by examiner

(73) Assignee: **Sony Corporation**, Tokyo (JP)

Primary Examiner—Nanda Bondade

(**) Term: **14 Years**

(74) *Attorney, Agent, or Firm*—Rader, Fishman & Grauer PLLC

(21) Appl. No.: **29/200,668**

(22) Filed: **Mar. 4, 2004**

(57) **CLAIM**

The ornamental design for a combined disc player, radio receiver and tape recorder, as shown and described.

(51) **LOC (7) Cl.** **14-01**

(52) **U.S. Cl.** **D14/168**

(58) **Field of Search** D14/135–136,
D14/160–168, 188, 197–198, 156–157;
455/100, 344, 346–351, 157.1, 350; 369/75.1,
75.2, 77.2

DESCRIPTION

FIG. 1 is a perspective view of a combined disc player, radio receiver and tape recorder showing our new design; FIG. 2 is a front elevational view thereof; FIG. 3 is a left side elevational view thereof; FIG. 4 is a right side elevational view thereof; FIG. 5 is a top plan view thereof; and, FIG. 6 is a bottom plan view thereof. Portions of FIGS. 1–6 that are shown as broken lines are for illustrative purpose only and form no part of the claimed design.

(56) **References Cited**

U.S. PATENT DOCUMENTS

D319,057 S * 8/1991 Oura D14/163
D410,649 S 6/1999 Kobayashi
D410,651 S 6/1999 Suzuki
D442,160 S 5/2001 Tsuchiya

1 Claim, 4 Drawing Sheets

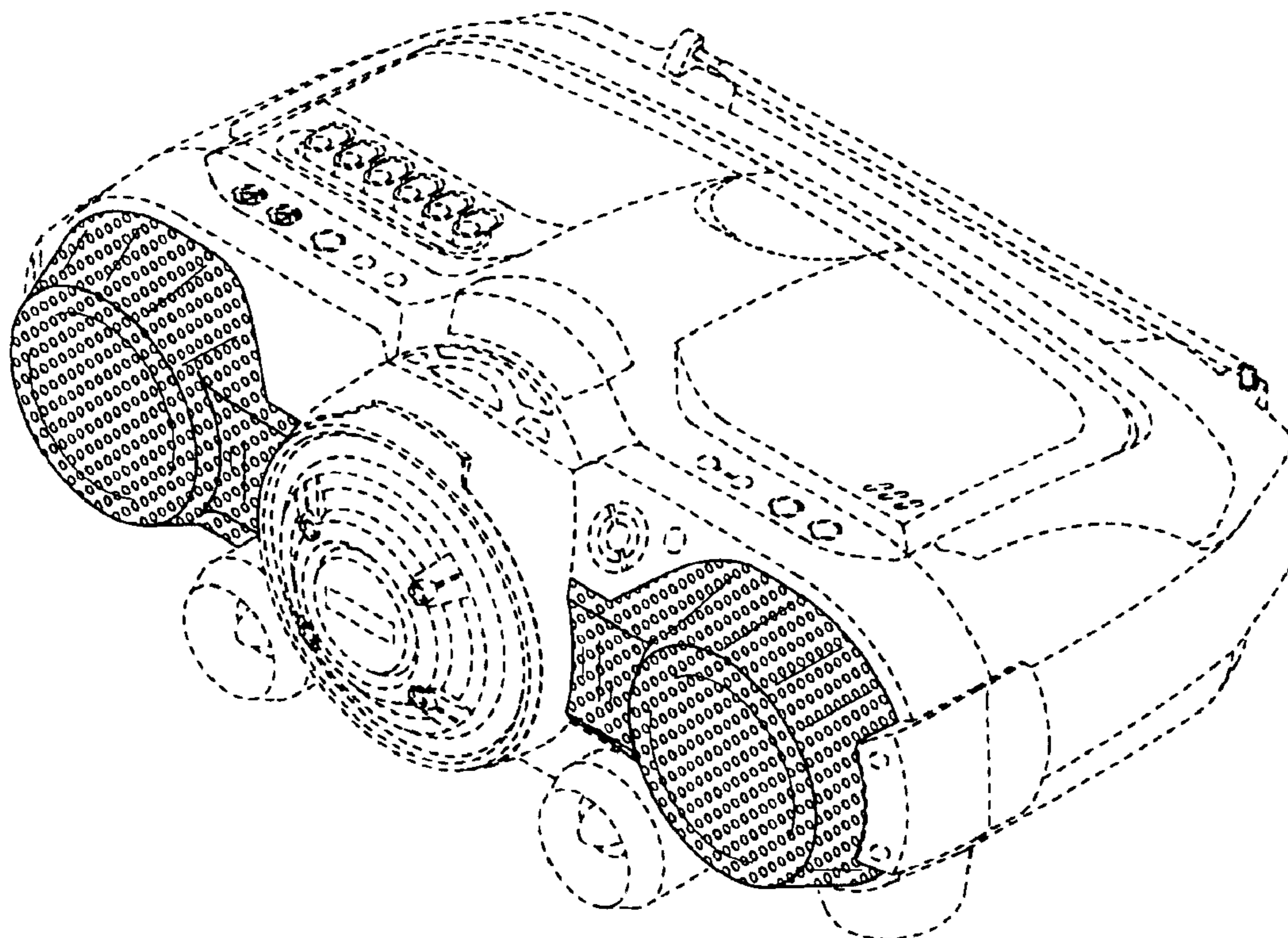


Fig.1

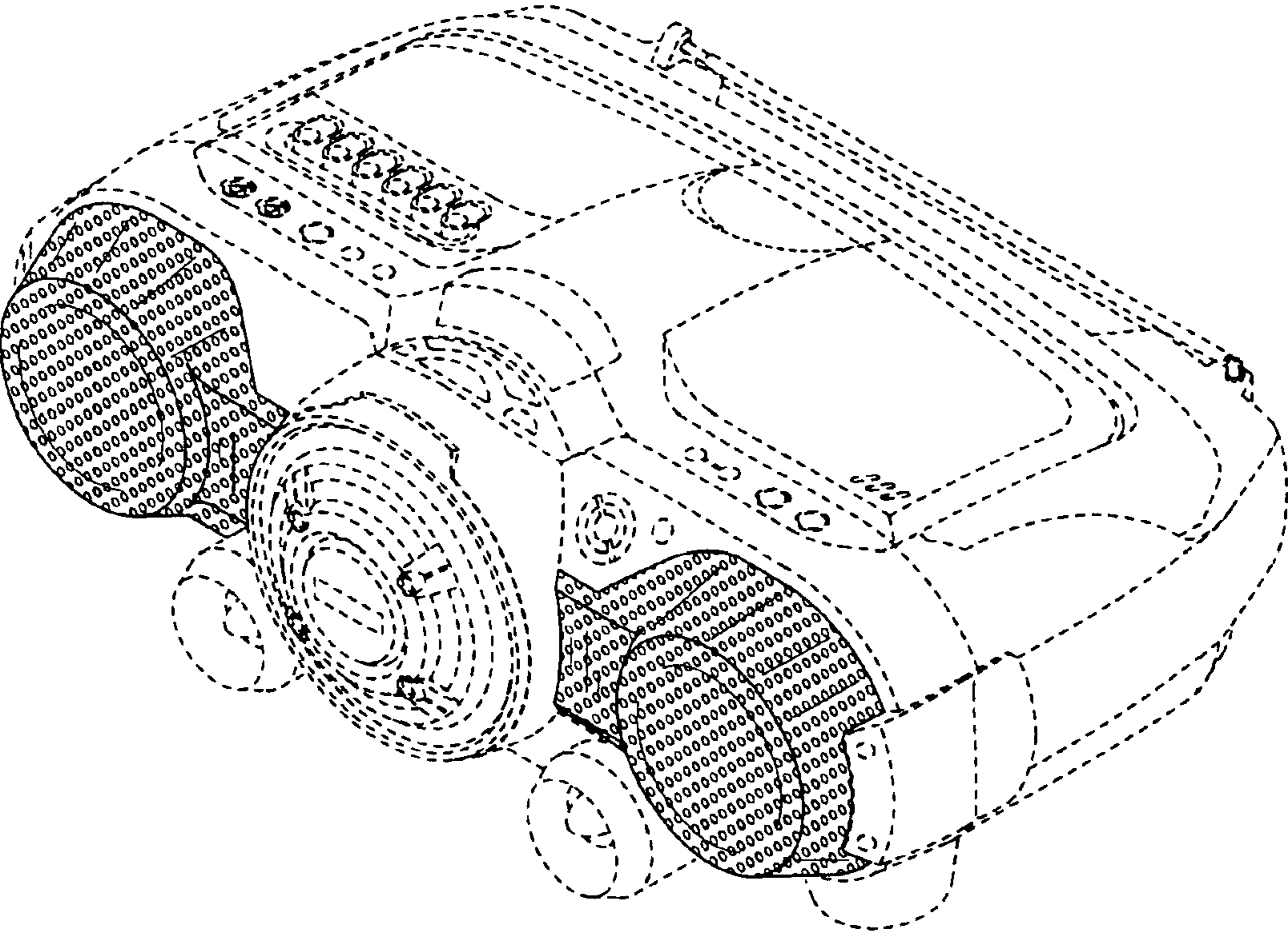


Fig.2

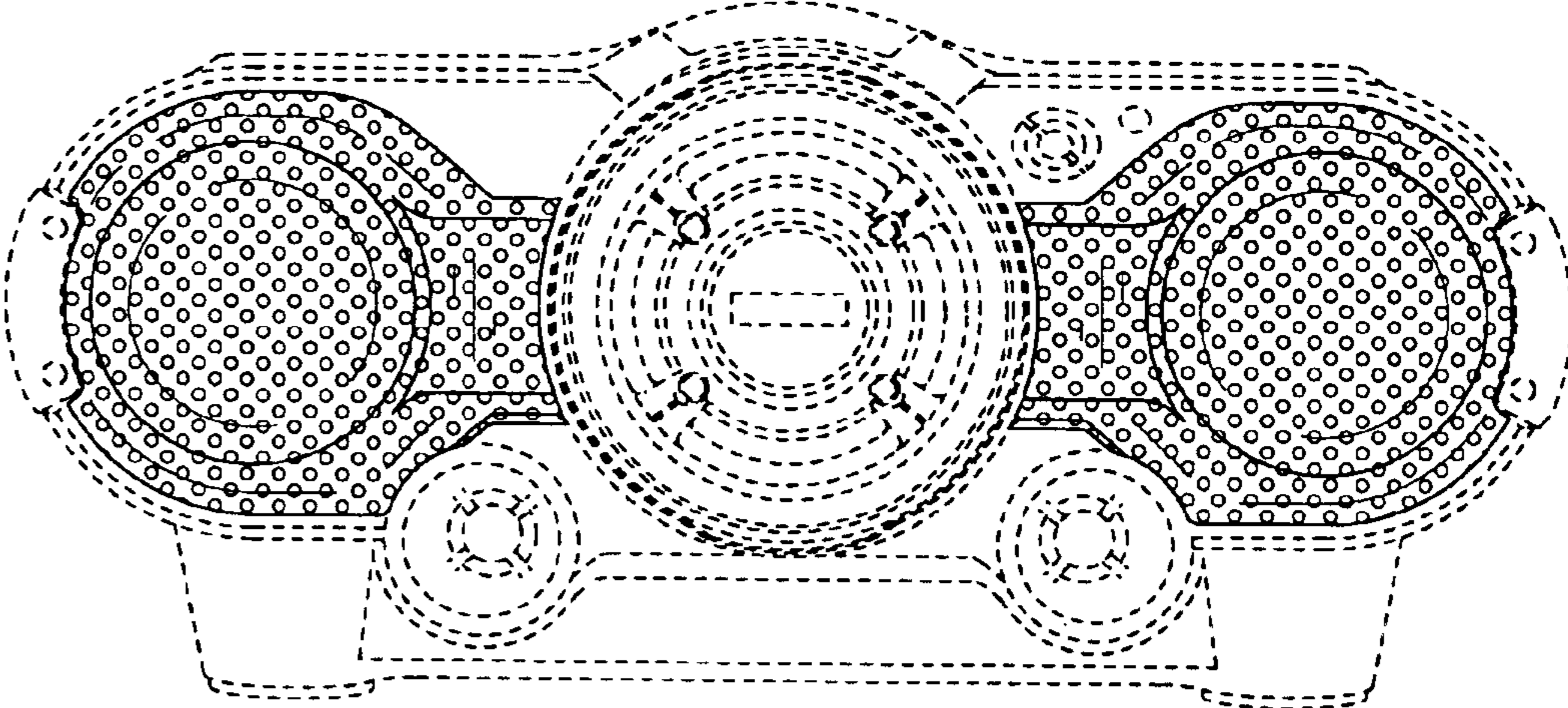


Fig.3

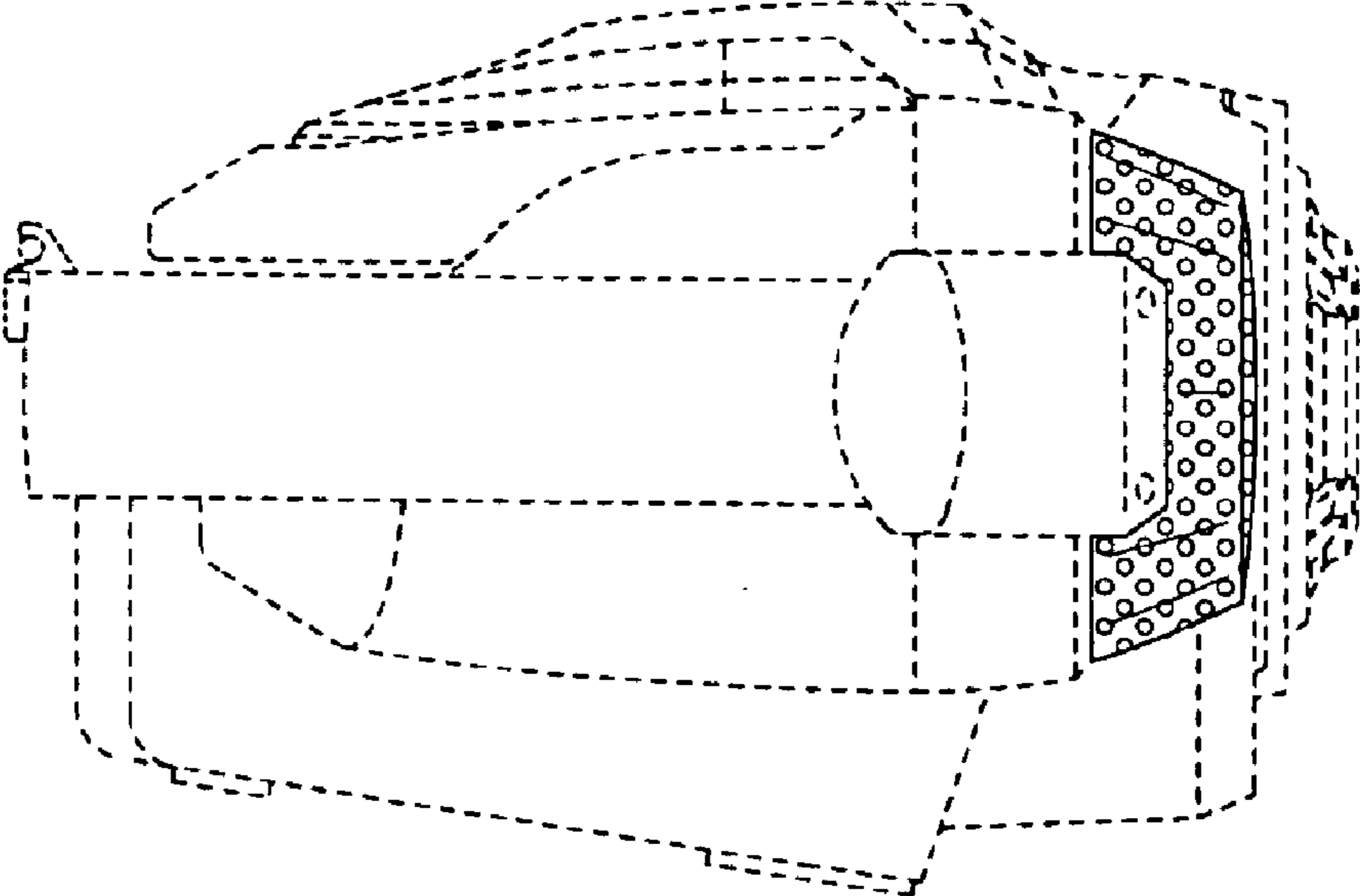


Fig.4

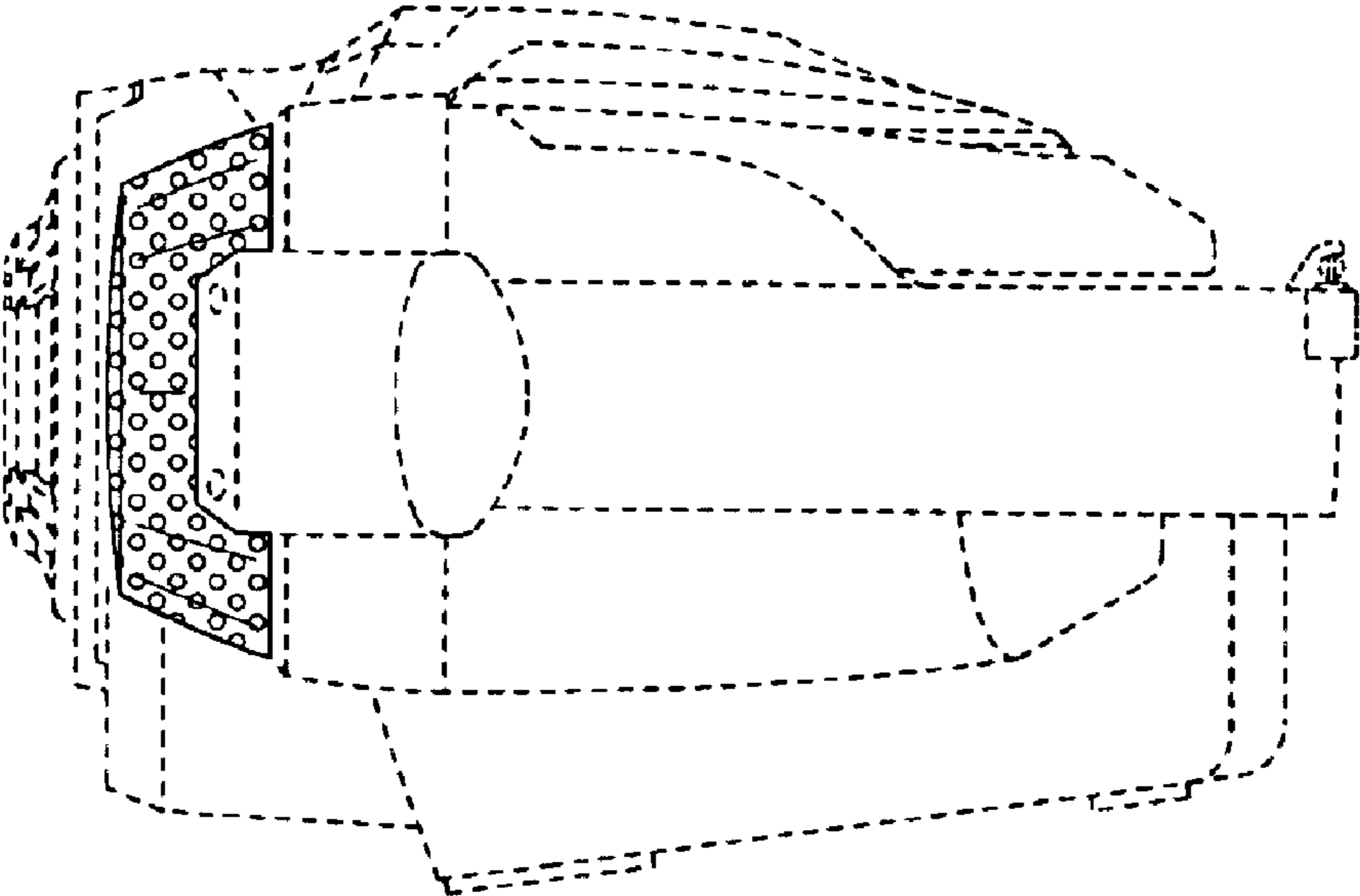


Fig.5

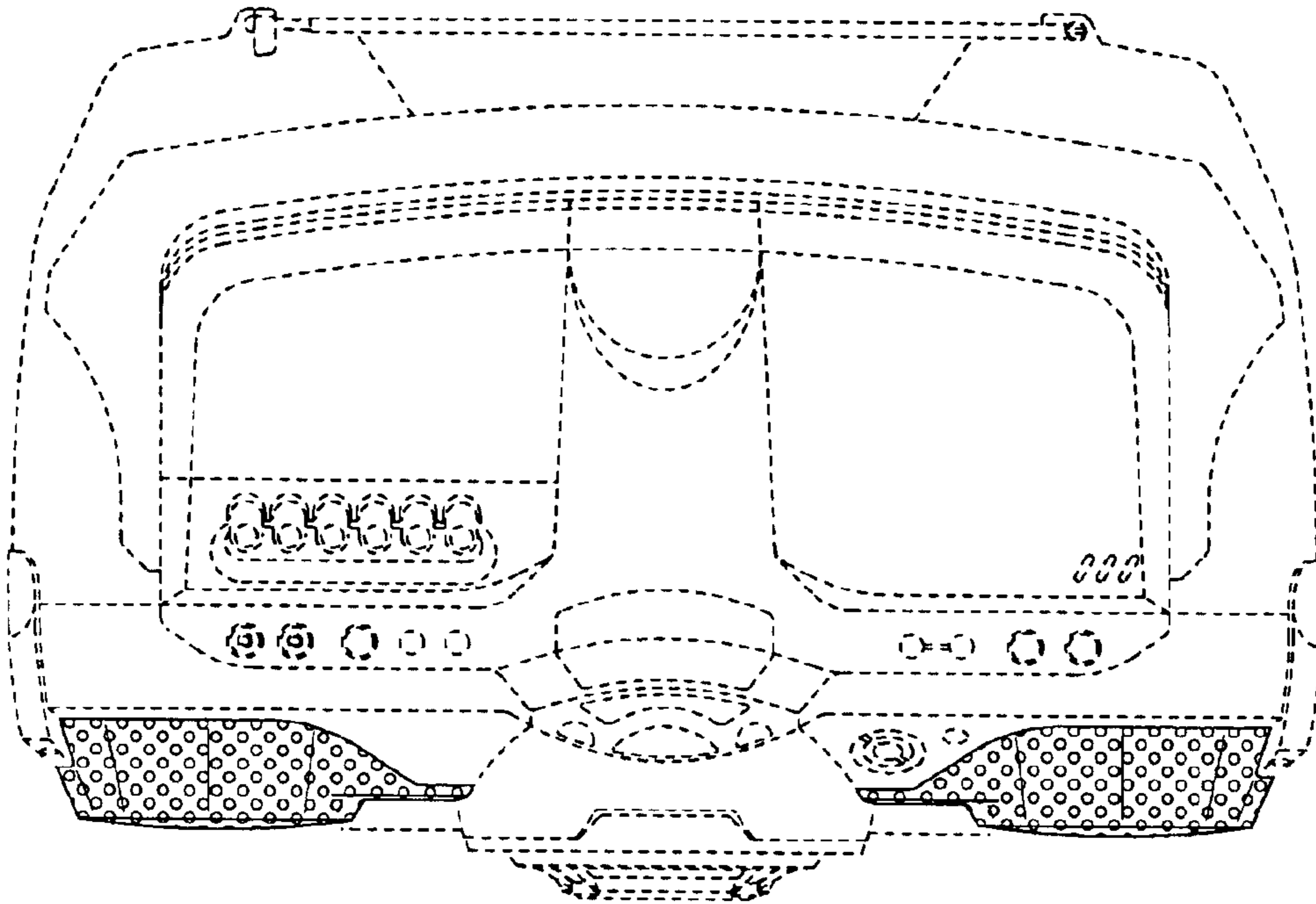


Fig.6

