

US00D504411S

(12) **United States Design Patent**
Lam

(10) **Patent No.:** **US D504,411 S**

(45) **Date of Patent:** **** Apr. 26, 2005**

(54) **SOLAR AND DYNAMO POWERED RADIO WITH LIGHT**

D390,229 S * 2/1998 Lee D14/168
D468,038 S * 12/2002 Poon D26/38

(75) Inventor: **Yuen-Ming Lam**, Chaiwan (HK)

* cited by examiner

(73) Assignee: **Goldmaster Development Limited**,
Chaiwan (HK)

Primary Examiner—Nanda Bondade
(74) *Attorney, Agent, or Firm*—Burns, Doane, Swecker &
Mathis, L.L.P.

(**) Term: **14 Years**

(21) Appl. No.: **29/179,301**

(22) Filed: **Apr. 9, 2003**

(30) **Foreign Application Priority Data**

Feb. 8, 2003 (HK) 0310201.1M001

(51) **LOC (7) Cl.** **14-01**

(52) **U.S. Cl.** **D14/168; D26/52; D26/38**

(58) **Field of Search** D10/1, 2, 15; D14/168,
D14/170, 171, 188, 193–198; 312/7.1; 455/90,
100, 128, 344, 347, 350–351; D21/533,
548; D26/38, 52

(56) **References Cited**

U.S. PATENT DOCUMENTS

D303,294 S * 9/1989 Yurkovic D26/38

(57) **CLAIM**

The ornamental design for a “solar and dynamo powered radio with light,” as shown and described.

DESCRIPTION

FIG. 1 is a front view of a “solar and dynamo powered radio with light” showing my design;

FIG. 2 is a rear view thereof;

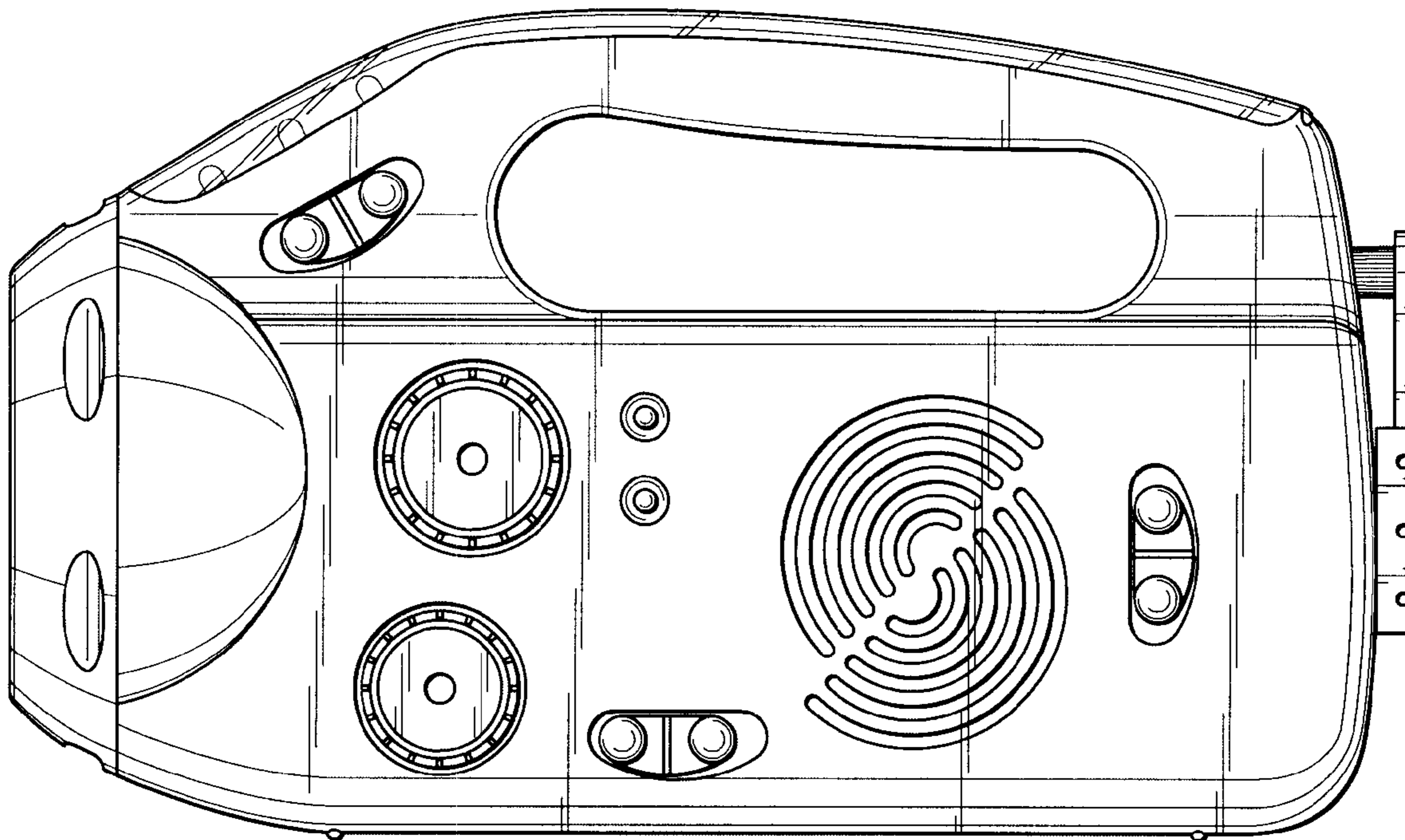
FIG. 3 is a left side view thereof;

FIG. 4 is a right side view thereof;

FIG. 5 is a top plan view thereof; and,

FIG. 6 is a bottom view thereof.

1 Claim, 3 Drawing Sheets



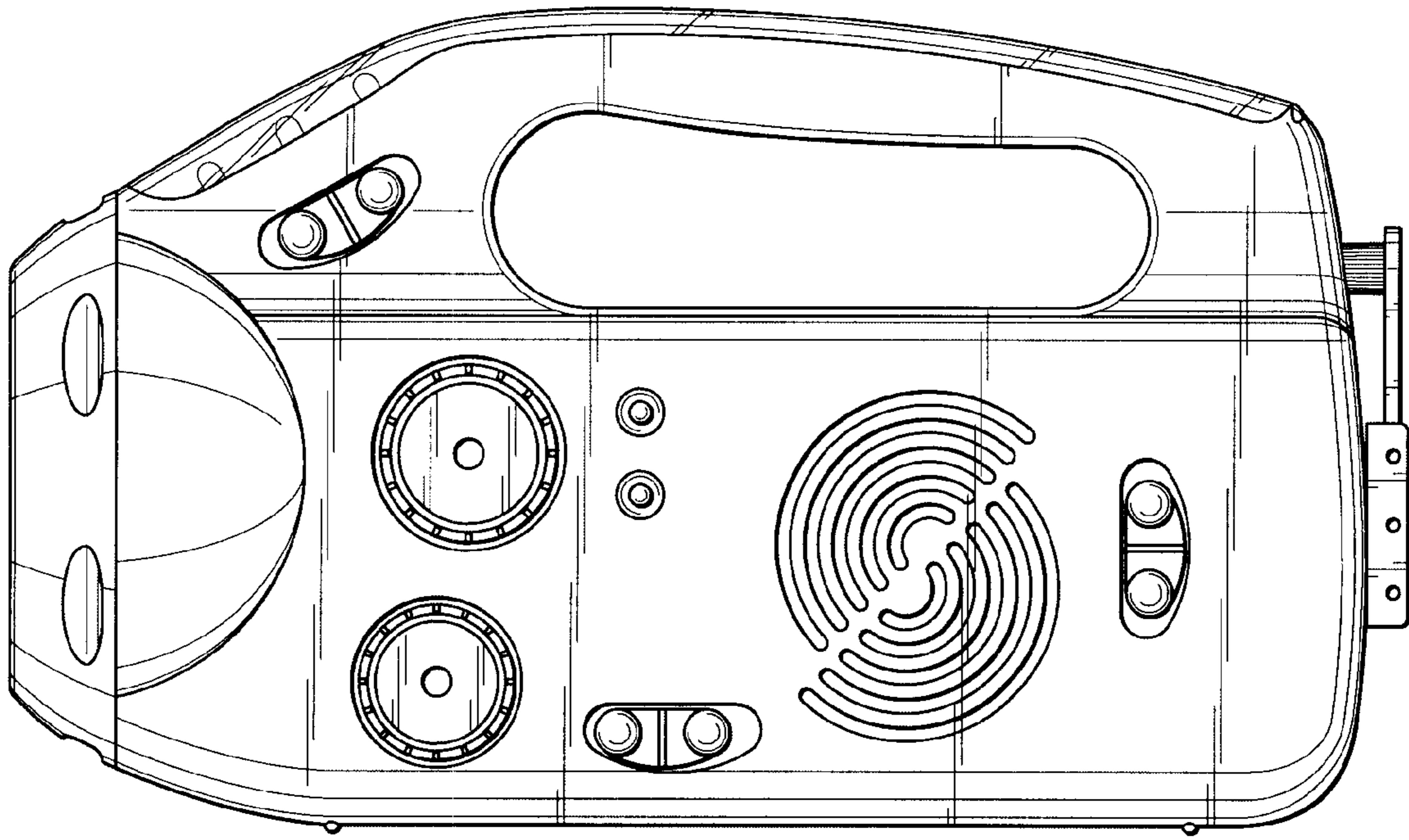


FIG. 1

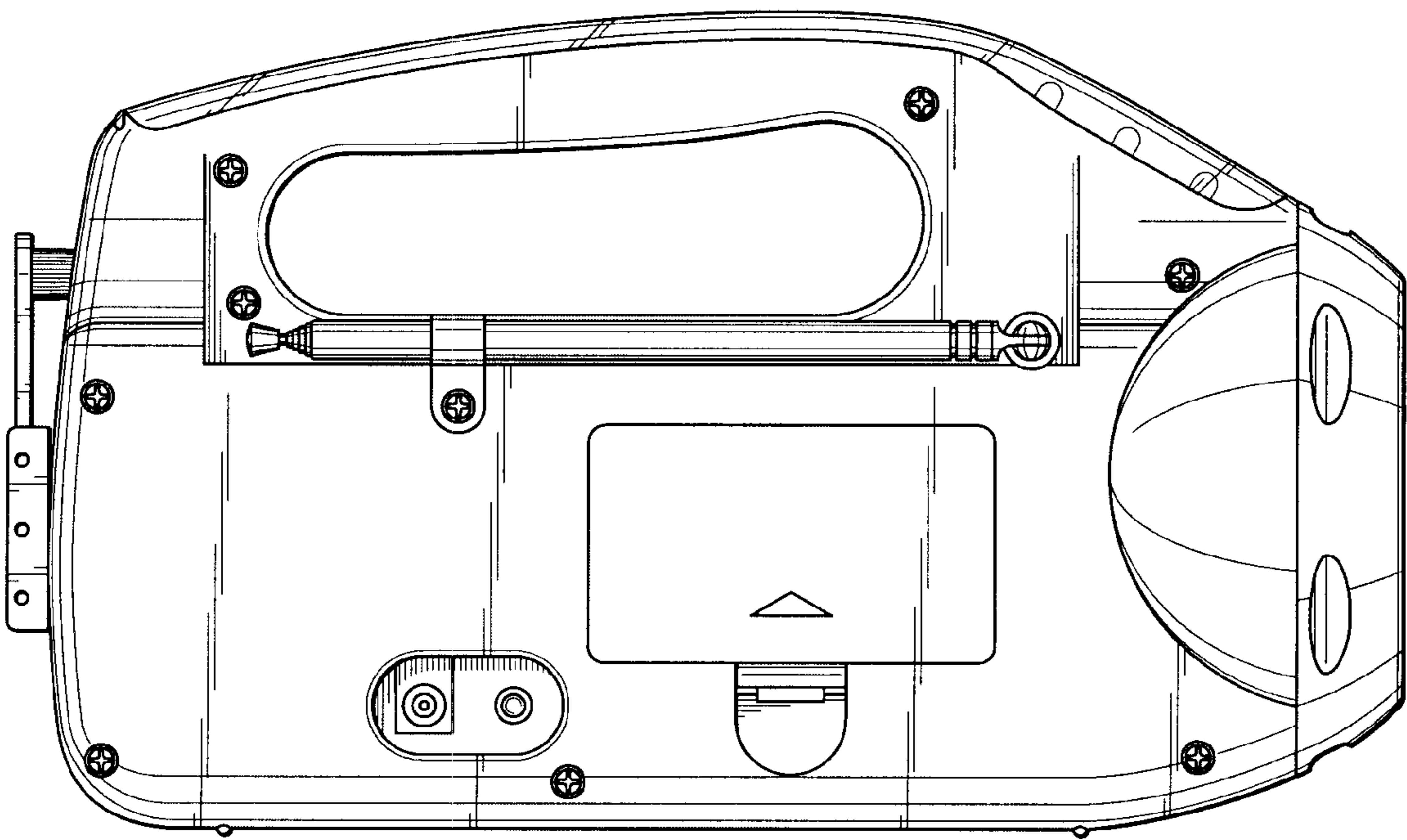


FIG. 2

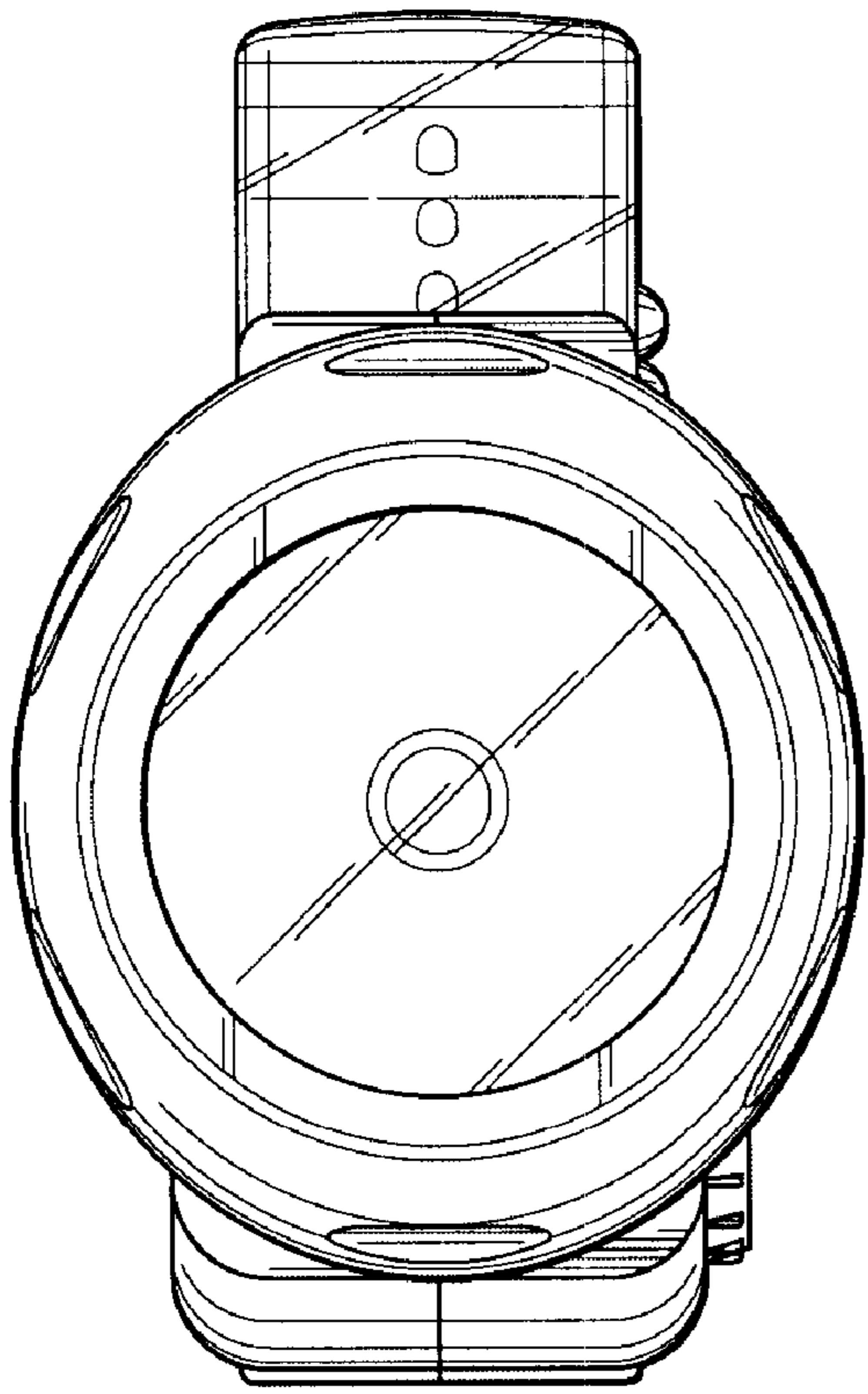


FIG. 3

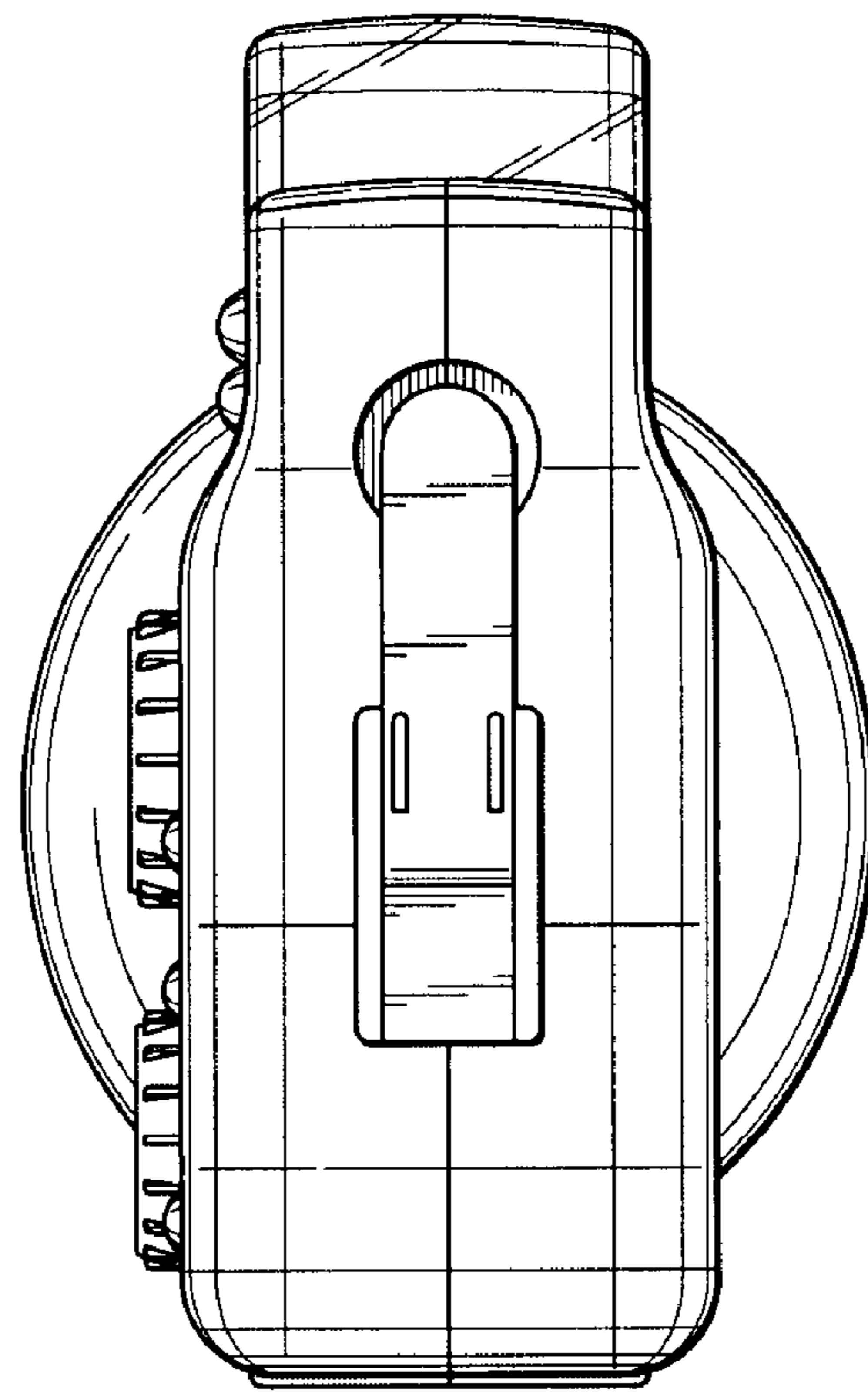


FIG. 4

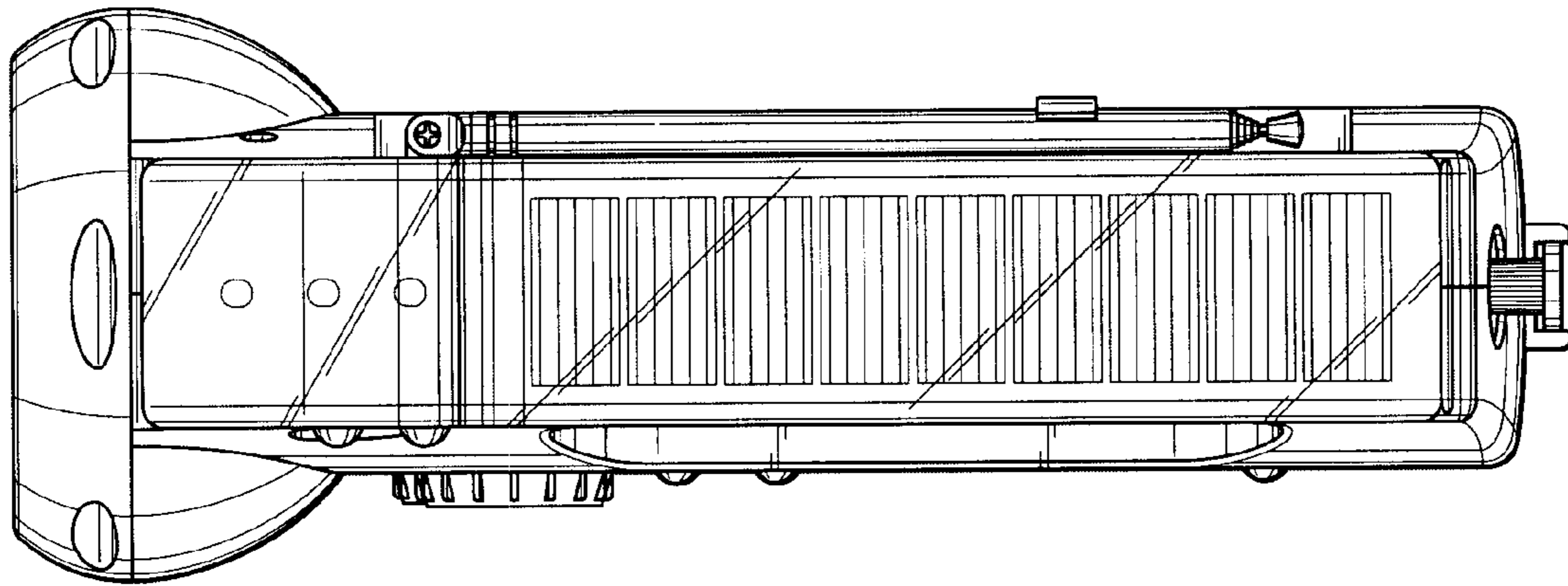


FIG. 5

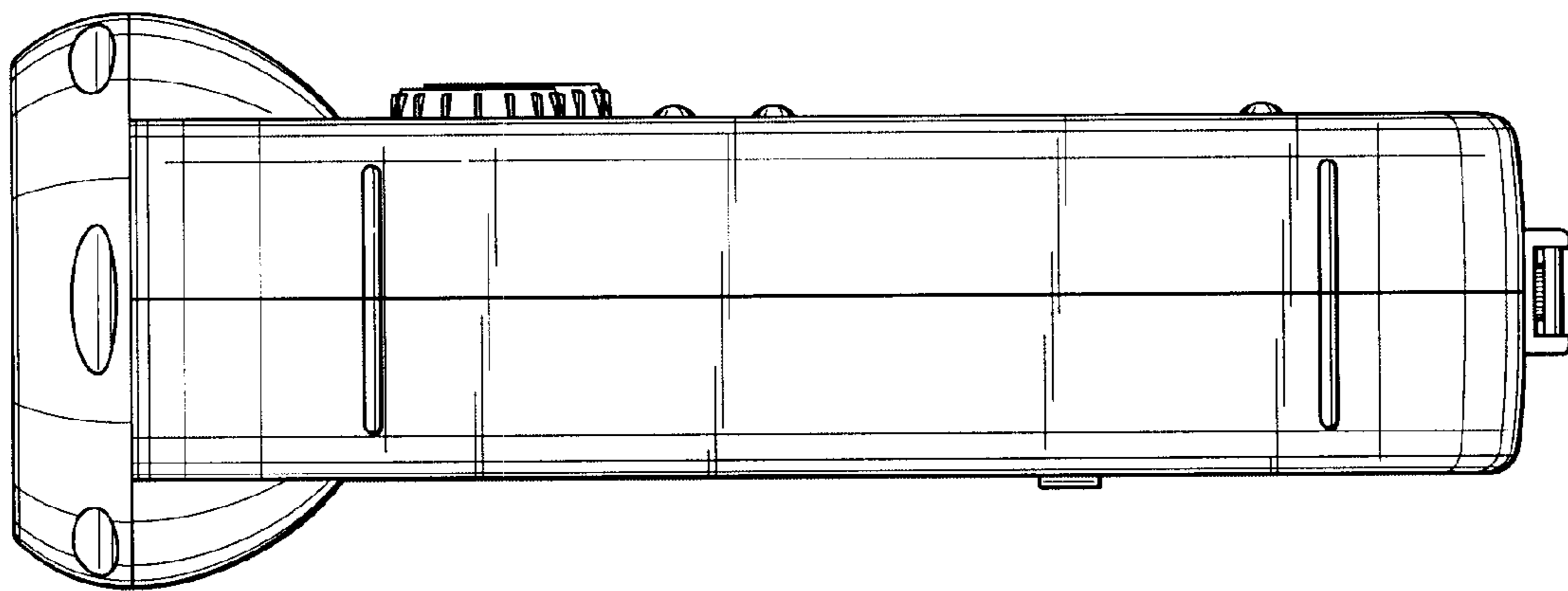


FIG. 6