

US00D504410S

(12) **United States Design Patent**
Lam

(10) **Patent No.:** **US D504,410 S**

(45) **Date of Patent:** **** Apr. 26, 2005**

(54) **SOLAR AND DYNAMO POWERED RADIO WITH LIGHT**

D239,865 S * 5/1976 Pinsler D14/189
D371,975 S * 7/1996 Dukstra D10/15
D468,038 S * 12/2002 Poon D26/38

(75) Inventor: **Yuen-Ming Lam**, Chaiwan (HK)

* cited by examiner

(73) Assignee: **Goldmaster Development Limited**,
Chaiwan (HK)

Primary Examiner—Nanda Bondade

(**) Term: **14 Years**

(74) *Attorney, Agent, or Firm*—Burns, Doane, Swecker &
Mathis, L.L.P.

(21) Appl. No.: **29/179,300**

(57) **CLAIM**

(22) Filed: **Apr. 9, 2003**

The ornamental design for a “solar and dynamo powered radio with light”, as shown and described.

(30) **Foreign Application Priority Data**

DESCRIPTION

Feb. 8, 2003 (HK) 0310201

(51) **LOC (7) Cl.** **14-01**

(52) **U.S. Cl.** **D14/168; D26/52; D26/38**

(58) **Field of Search** D10/1, 2, 15; D14/168,
D14/170, 171, 188, 193–198; 312/7.1; 455/90,
100, 128, 344, 347, 350–351; D21/533,
548; D26/38, 52

FIG. 1 is a front view of a “solar and dynamo powered radio with light” showing my design;

FIG. 2 is a rear view thereof;

FIG. 3 is a left side view thereof

FIG. 4 is a right side view thereof;

FIG. 5 is a top plan view thereof; and,

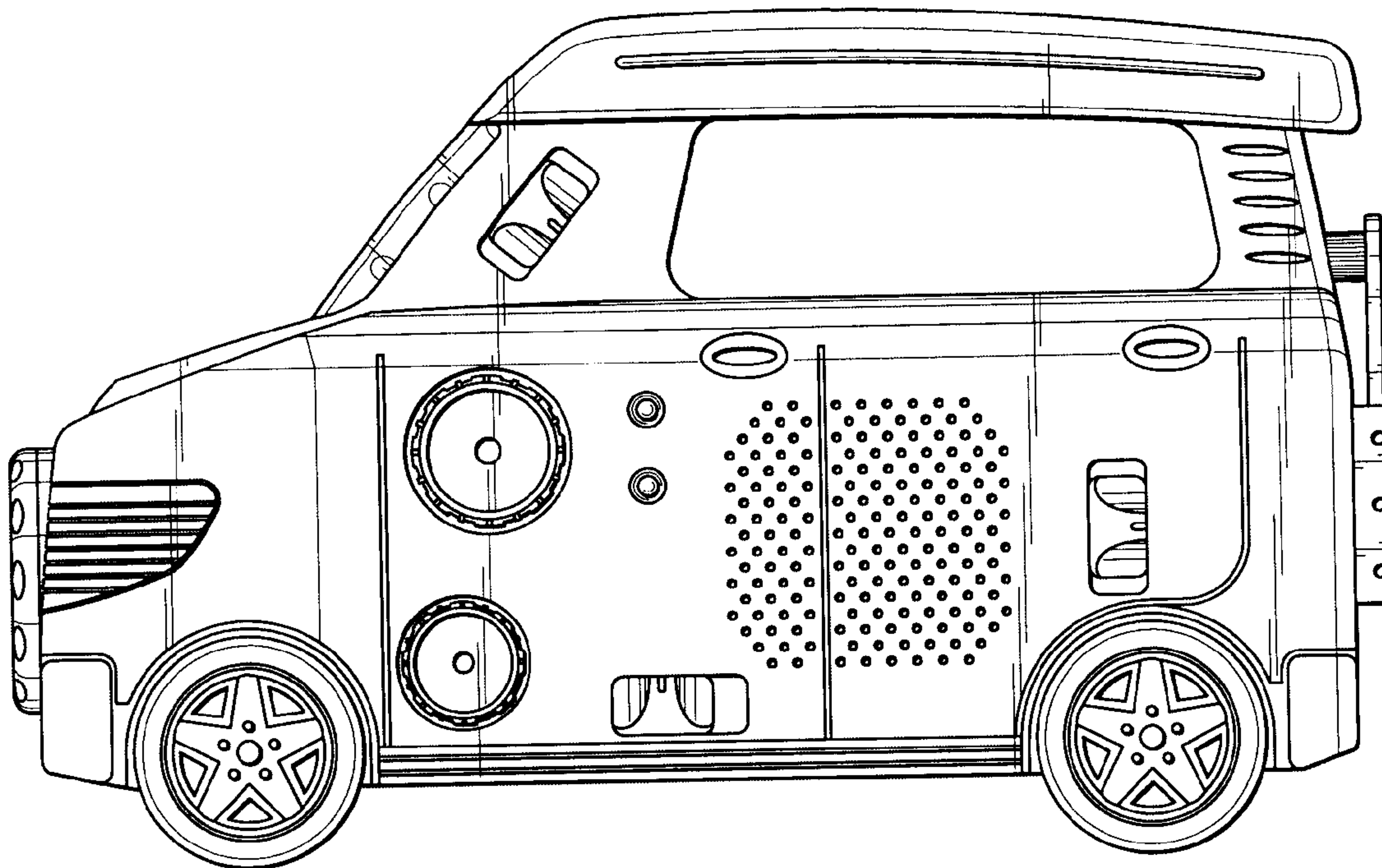
FIG. 6 is a bottom view thereof.

(56) **References Cited**

U.S. PATENT DOCUMENTS

D90,961 S * 10/1933 Smith D21/548

1 Claim, 3 Drawing Sheets



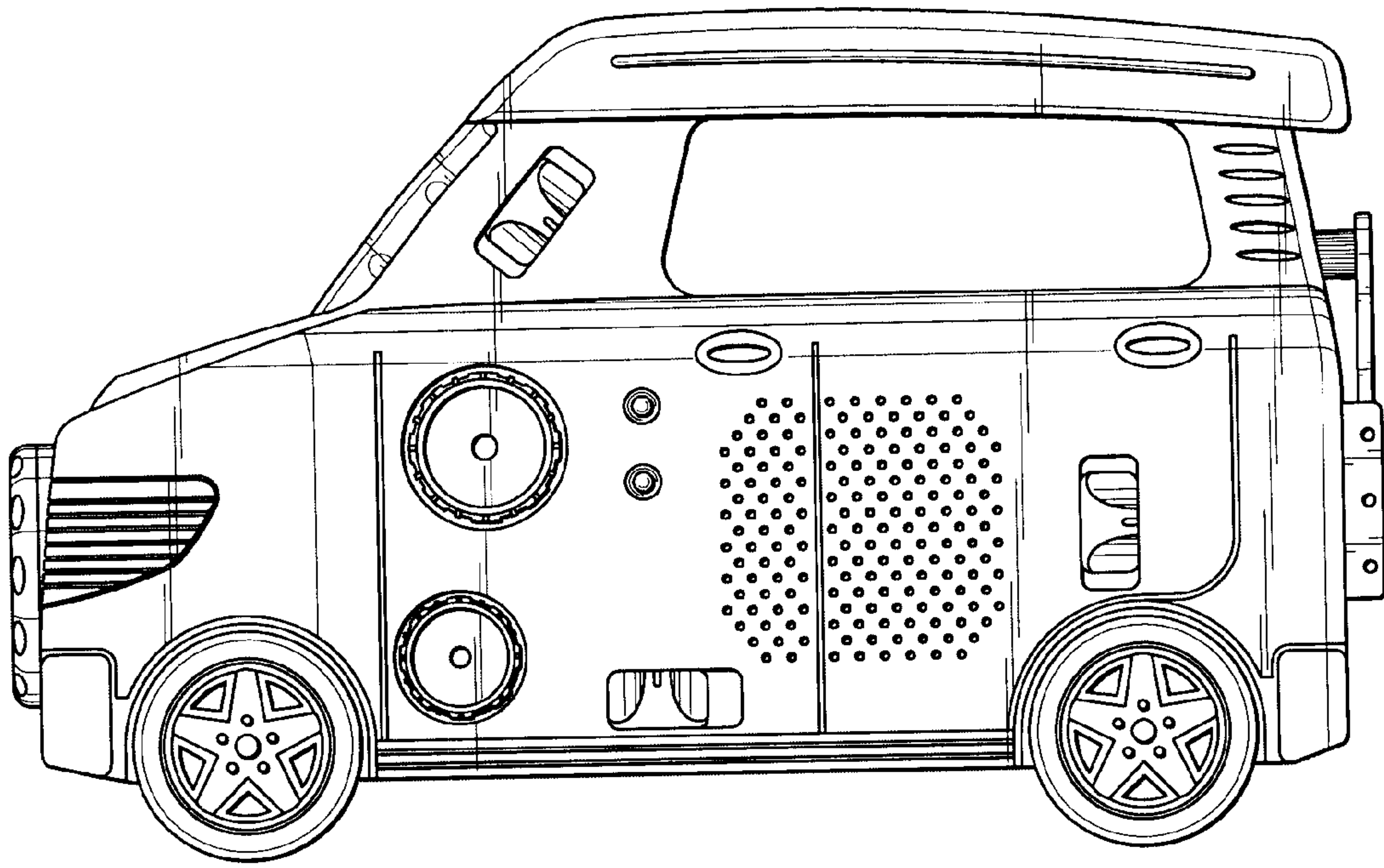


FIG. 1

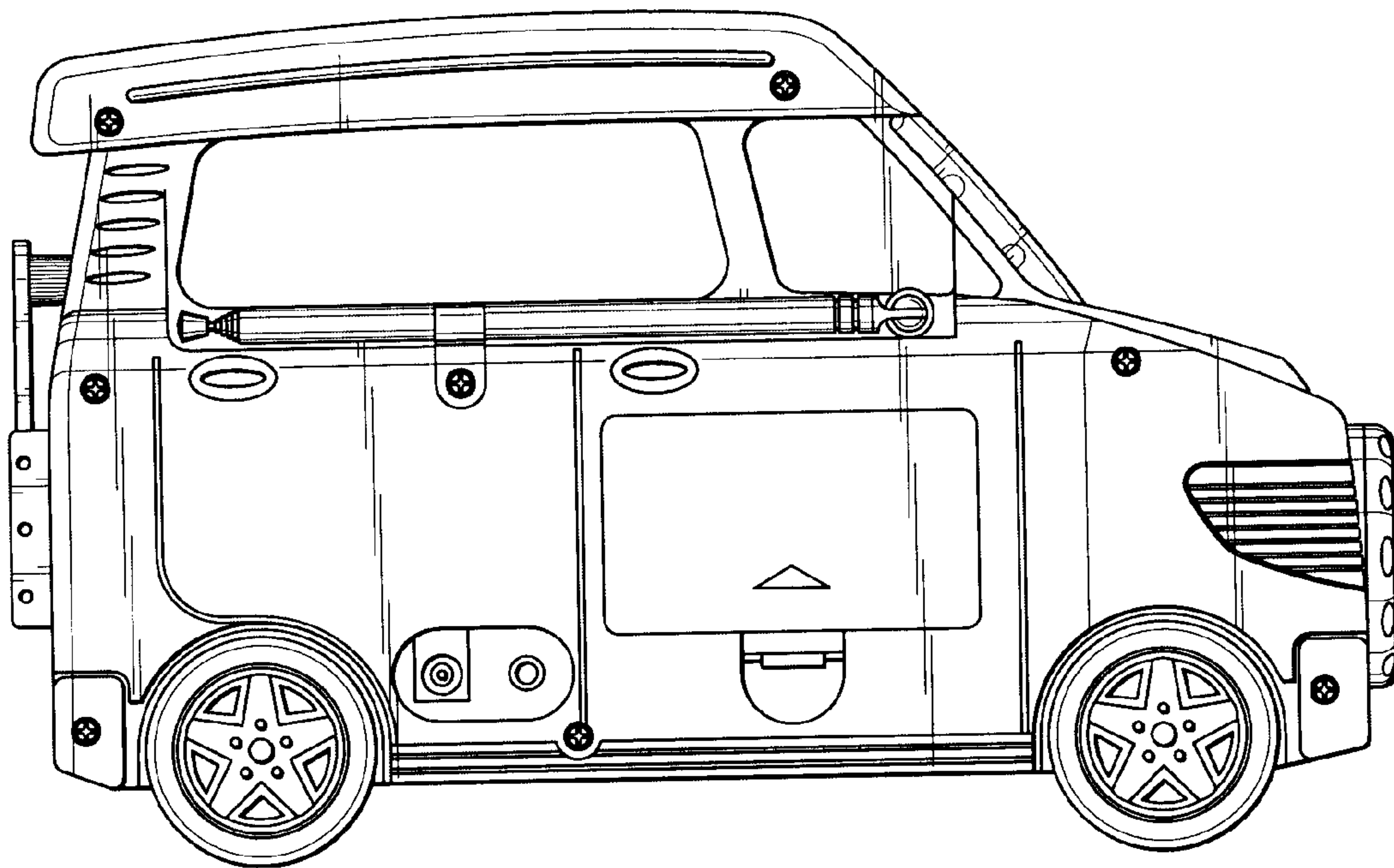


FIG. 2

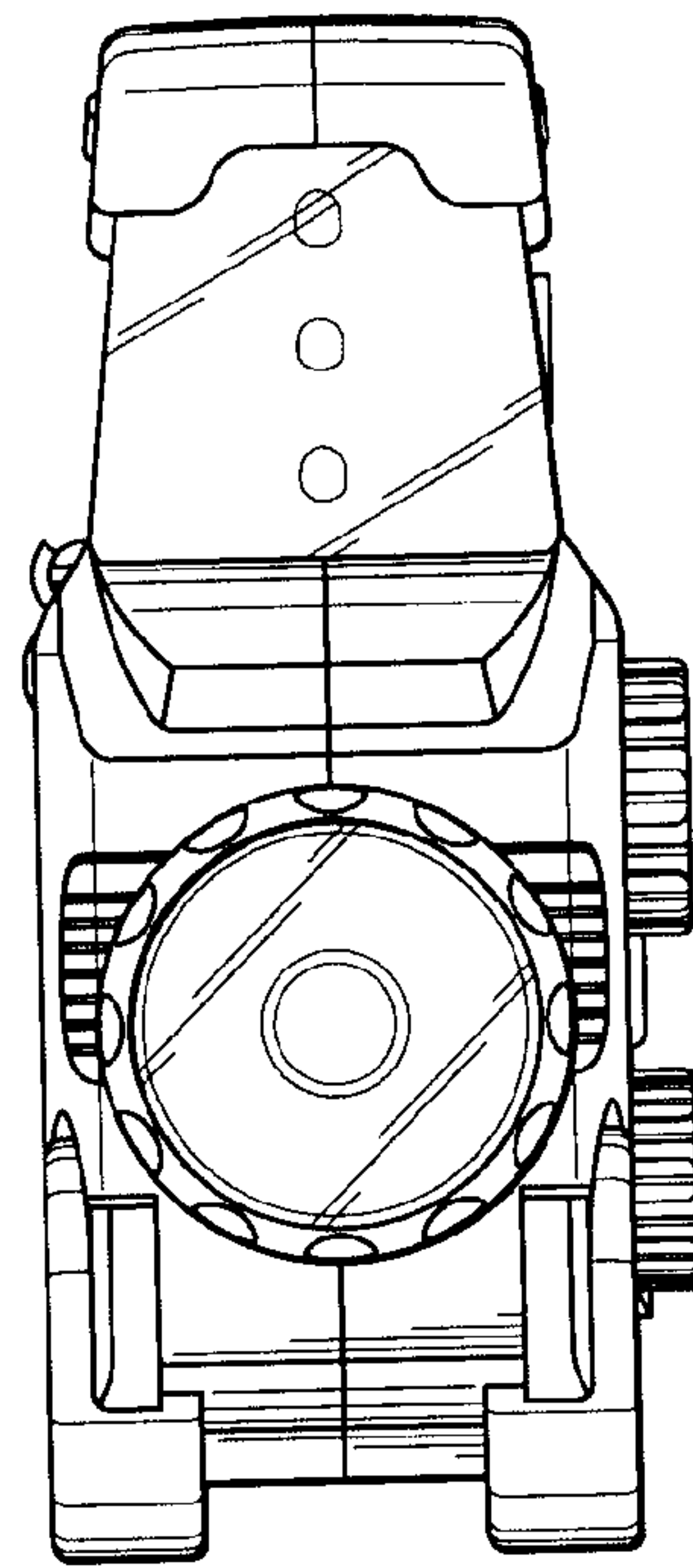


FIG. 3

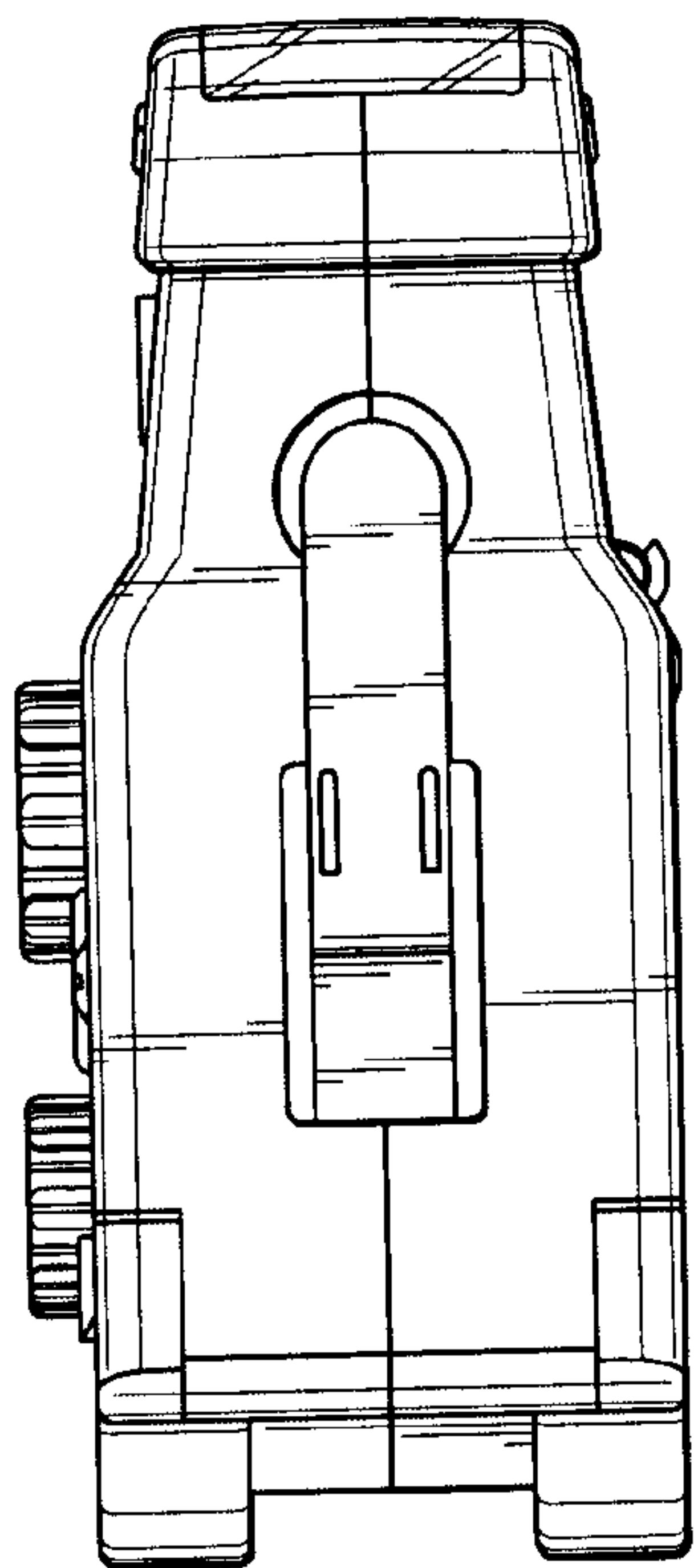


FIG. 4

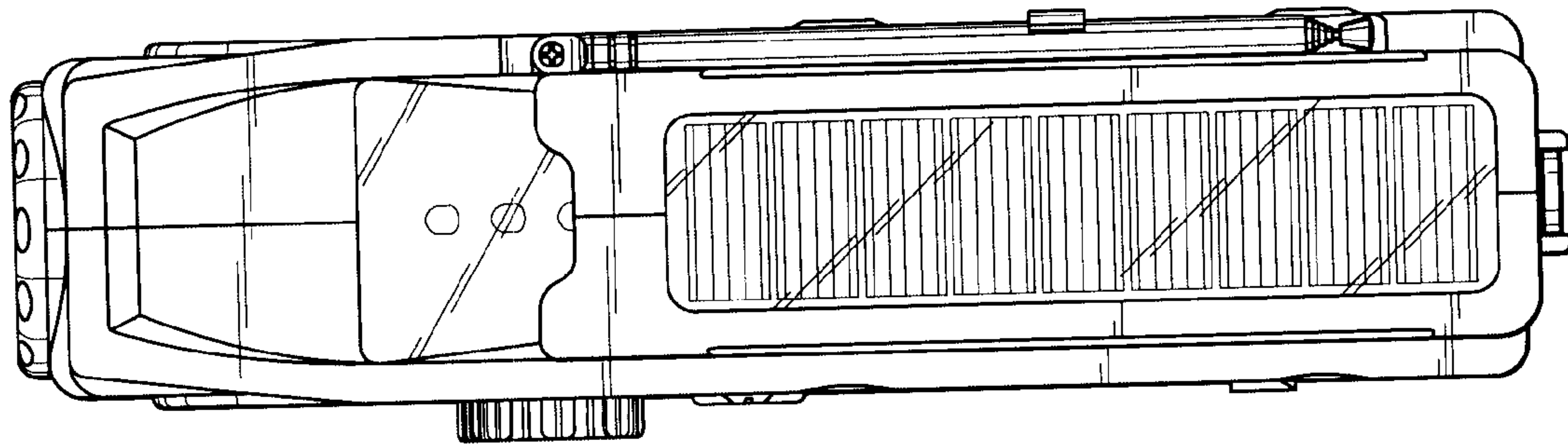


FIG. 5

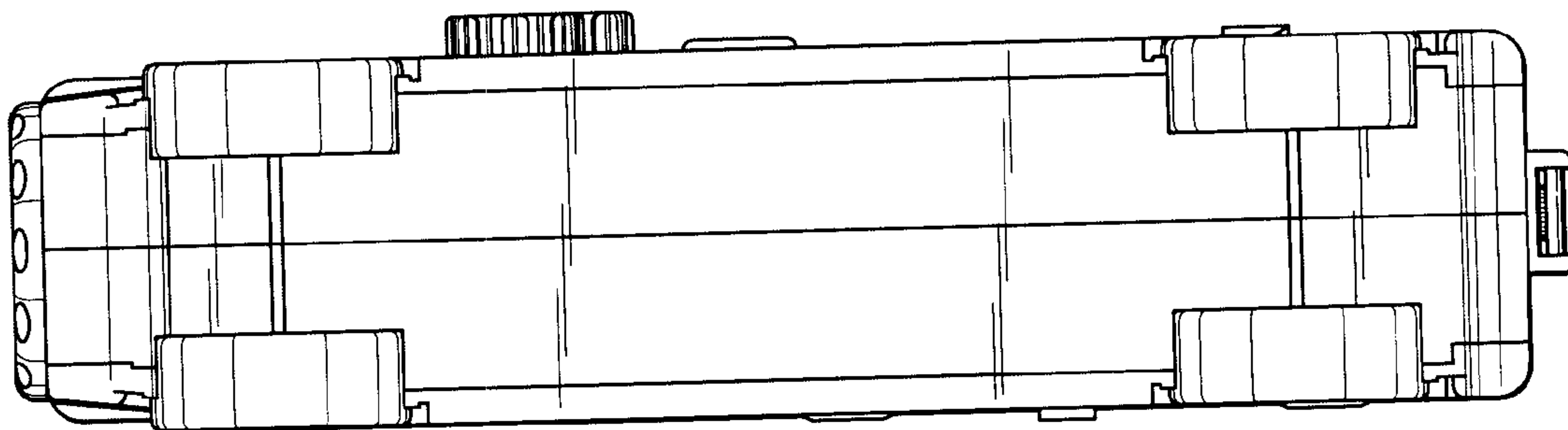


FIG. 6