

US00D504408S

(12) **United States Design Patent**
Bey et al.

(10) **Patent No.: US D504,408 S**

(45) **Date of Patent: ** Apr. 26, 2005**

(54) **MINIATURE RADIO FREQUENCY TRANSMITTER**

(75) Inventors: **Fadhly Bey**, San Francisco, CA (US);
David Noppenberger, Baltimore, MD (US);
Kelly Kodama, Alamo, CA (US);
Arthur Cohen, Cupertino, CA (US);
John Glissman, Valley Ford, CA (US)

(73) Assignee: **Aerielle, Inc.**, Mountain View, CA (US)

(**) Term: **14 Years**

(21) Appl. No.: **29/208,084**

(22) Filed: **Jun. 22, 2004**

(51) **LOC (7) Cl. 14-03**

(52) **U.S. Cl. D14/155; D13/168; D13/144**

(58) **Field of Search D14/299, 191, D14/188, 155, 162, 137, 240, 248, 218, 358; D13/168, 144; D21/566; D10/106, 121; D24/122; 439/668, 578, 490, 851; 361/730**

(56) **References Cited**

U.S. PATENT DOCUMENTS

D215,299 S	*	9/1969	Kuypers	D13/168
D222,967 S	*	2/1972	Hawkins	D13/168
D303,954 S	*	10/1989	Michels et al.	D14/155
D314,178 S	*	1/1991	Reber	D13/144
D330,887 S	*	11/1992	Wharton	D13/144
D336,089 S	*	6/1993	Crawshaw et al.	D14/299
D341,123 S	*	11/1993	Hakanen et al.	D13/108
D345,960 S	*	4/1994	Boyd et al.	D13/144

D348,250 S	*	6/1994	Shababy	D13/144
D359,923 S	*	7/1995	Sandell	D10/106
D384,939 S	*	10/1997	Schaffner	D13/168
D392,617 S	*	3/1998	Yokozawa	D13/144
D398,287 S	*	9/1998	Luminosu	D13/144
D400,177 S	*	10/1998	Jones	D13/144
D401,222 S	*	11/1998	LeBlanc	D13/144
D407,050 S	*	3/1999	Primrose	D10/106
D409,568 S	*	5/1999	Lindahl	D13/144
D413,277 S	*	8/1999	Scheibe	D10/106
D448,374 S	*	9/2001	Liu	D14/358
D461,189 S	*	8/2002	Bontly et al.	D14/426
D492,249 S	*	6/2004	Suomalainen et al.	D13/108

* cited by examiner

Primary Examiner—Jeffrey Asch

Assistant Examiner—Austin Murphy

(74) *Attorney, Agent, or Firm*—Craig M. Stainbrook; Larry D. Johnson; Johnson & Stainbrook, LLP

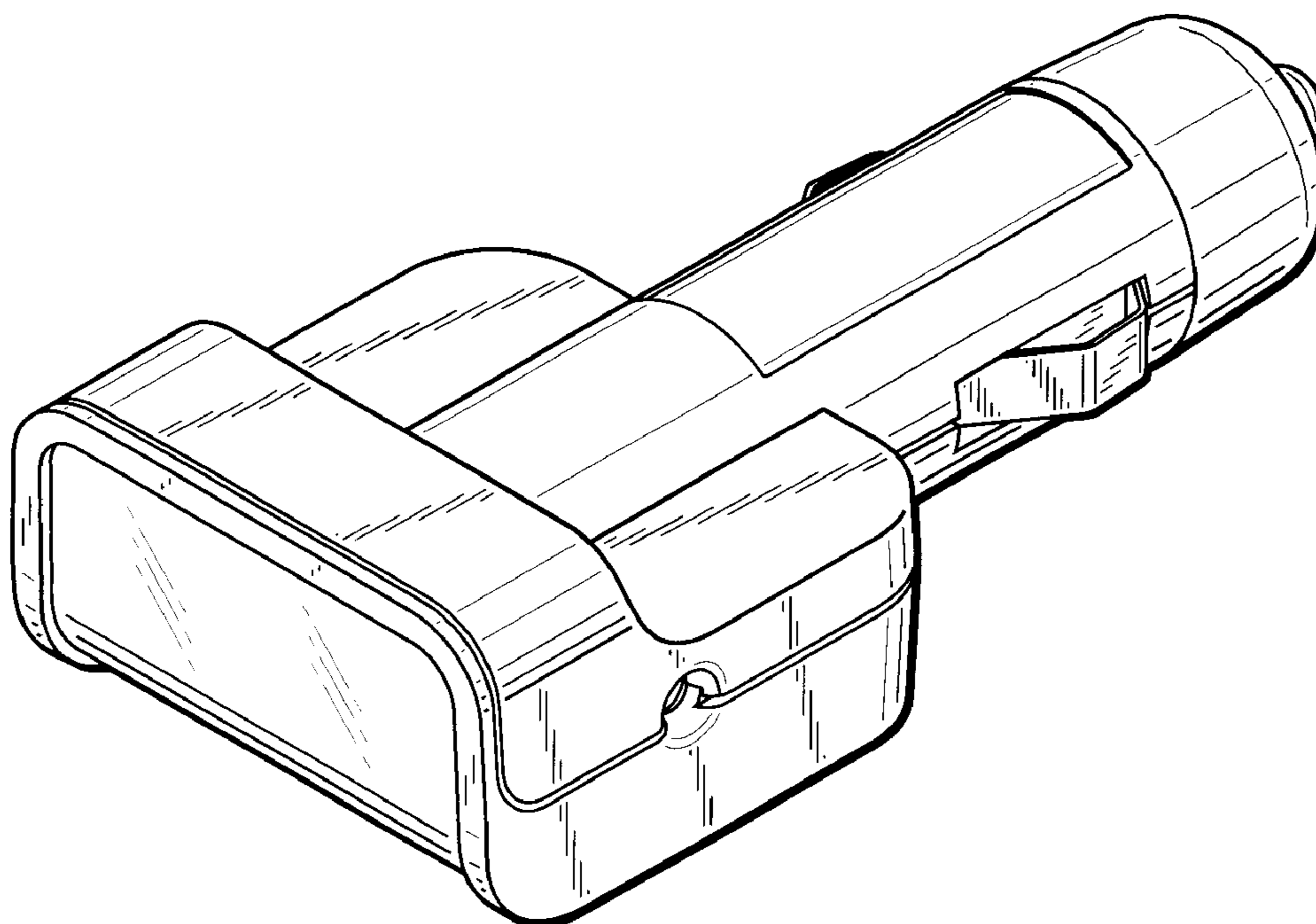
(57) **CLAIM**

The ornamental design for a miniature radio frequency transmitter, as shown and described.

DESCRIPTION

FIG. 1 is an upper right front perspective view;
FIG. 2 is an upper left rear perspective view;
FIG. 3 is a rear elevational view;
FIG. 4 is a front elevational view;
FIG. 5 is a right side elevational view;
FIG. 6 is a left side elevational view;
FIG. 7 is a top plan view; and,
FIG. 8 is a bottom plan view.

1 Claim, 3 Drawing Sheets



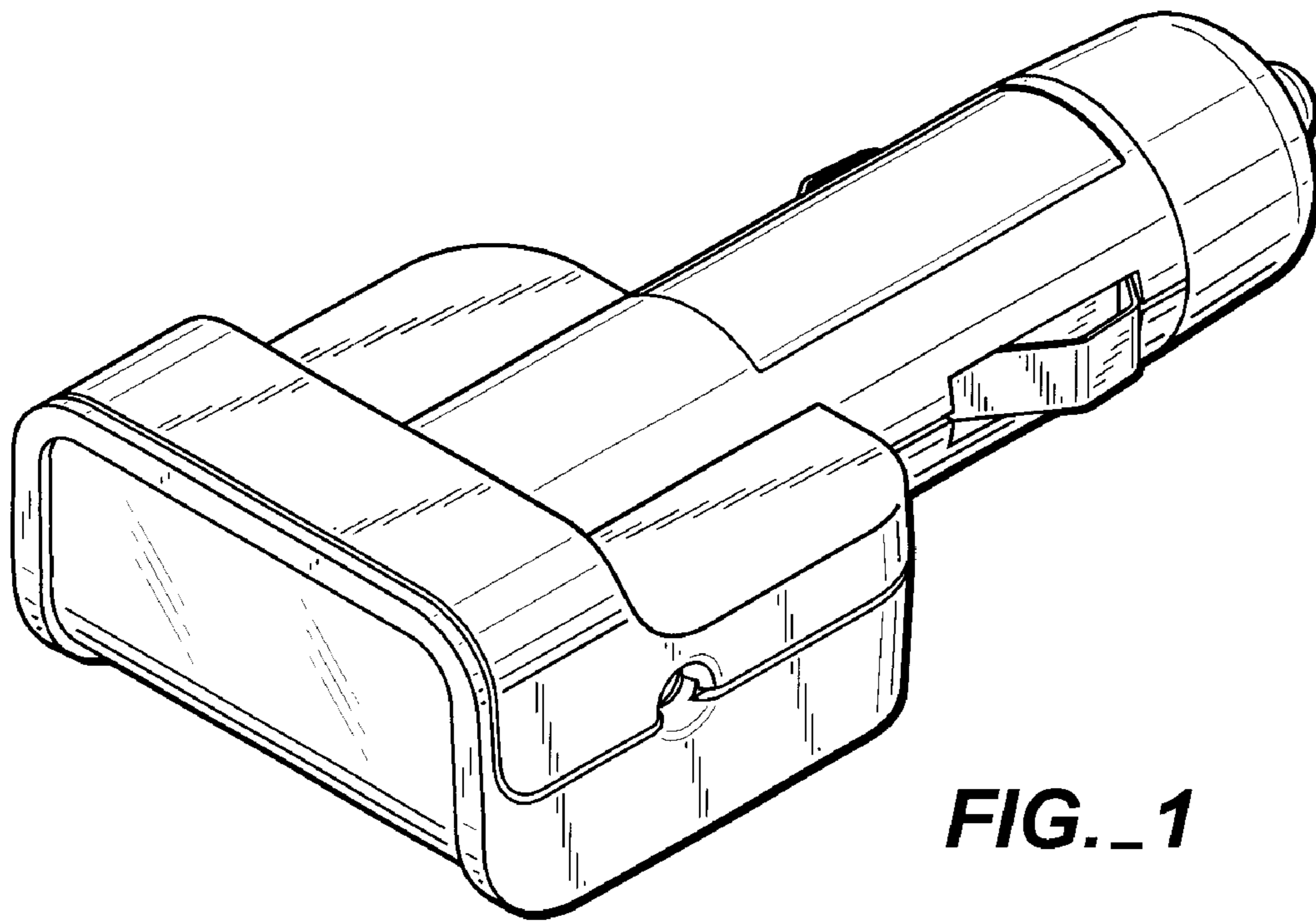


FIG. 1

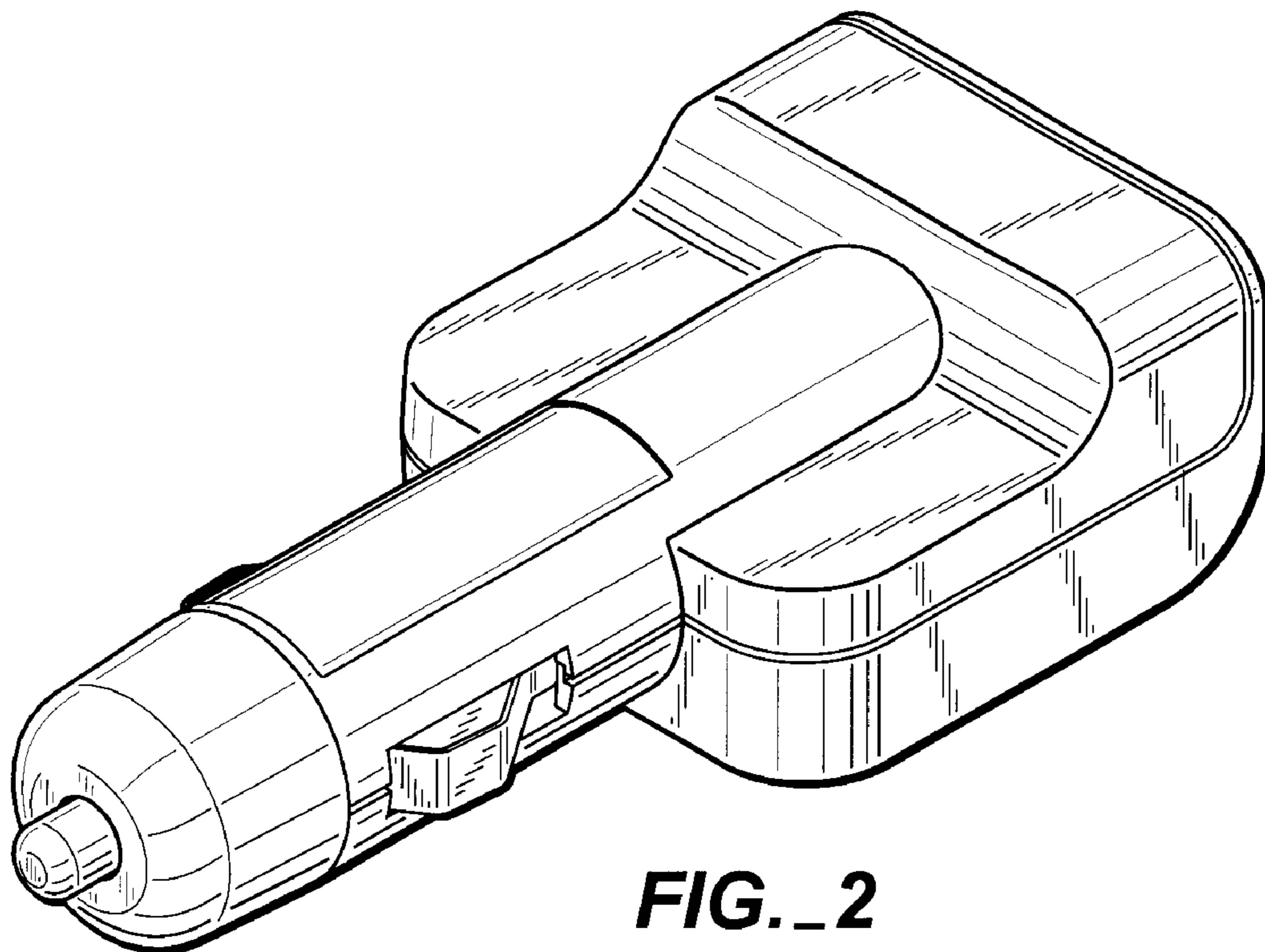


FIG. 2

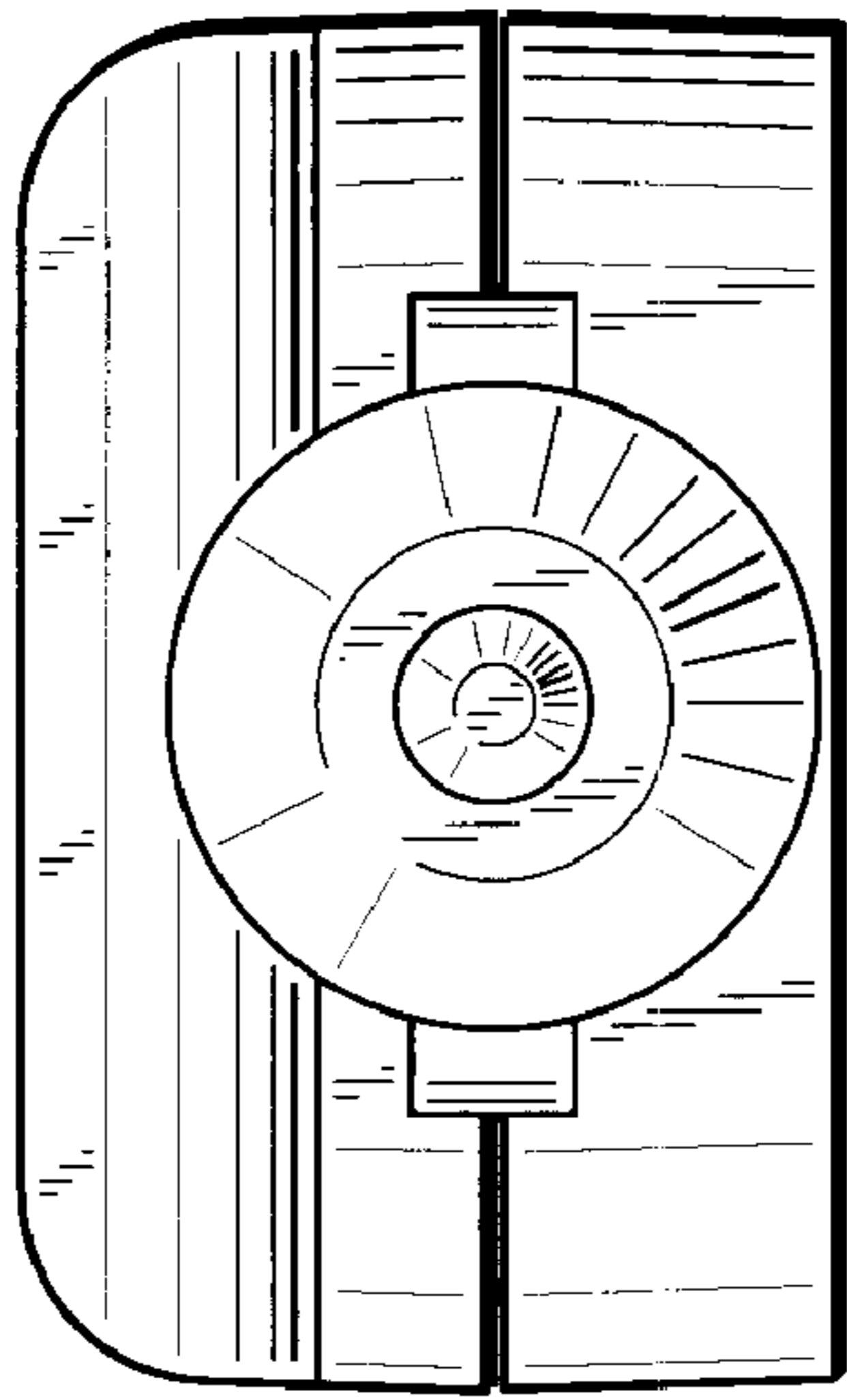


FIG. 3

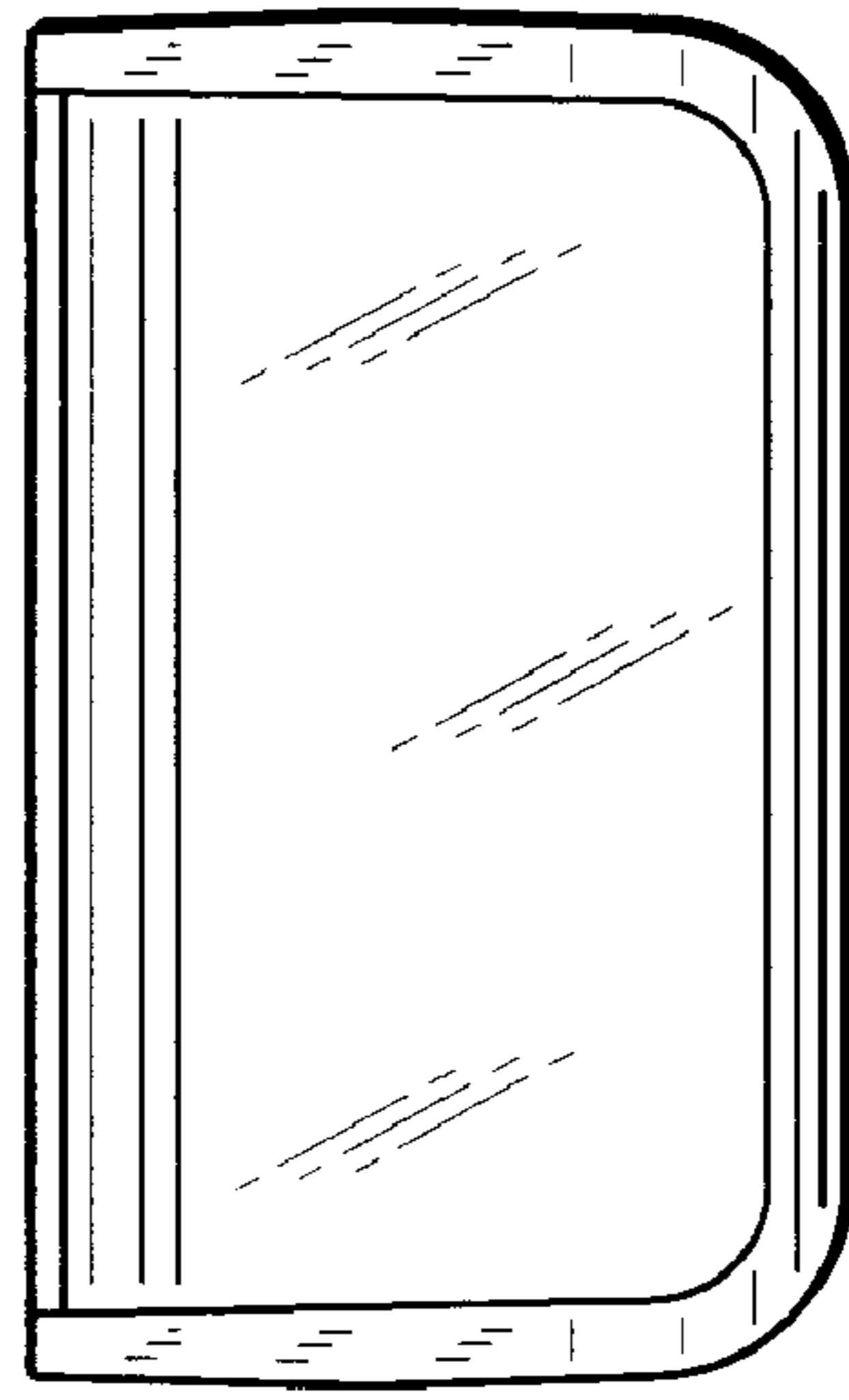


FIG. 4

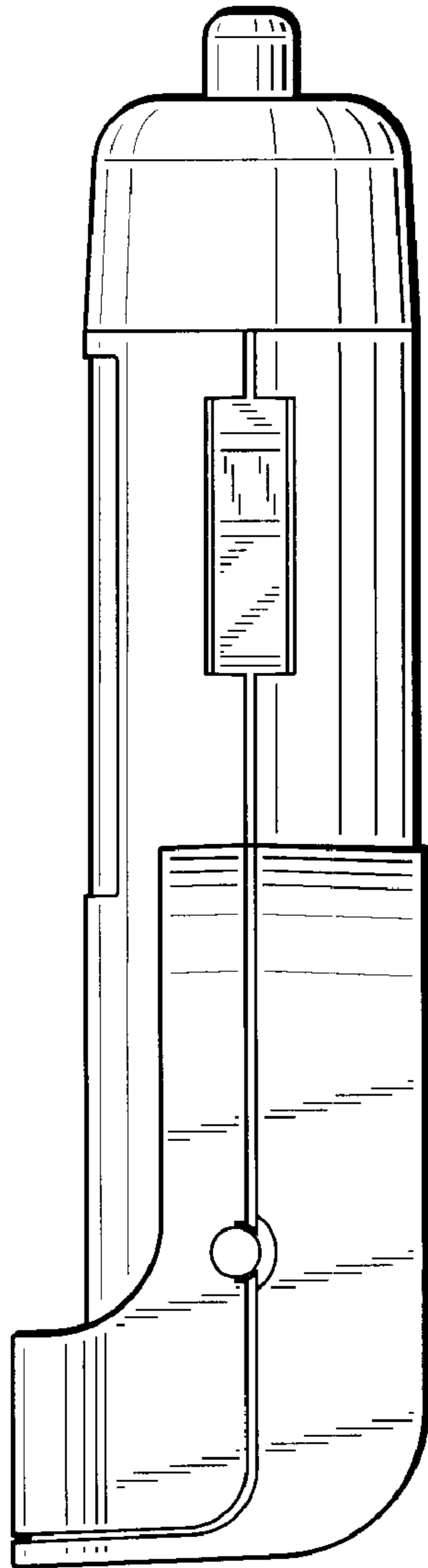


FIG. 5

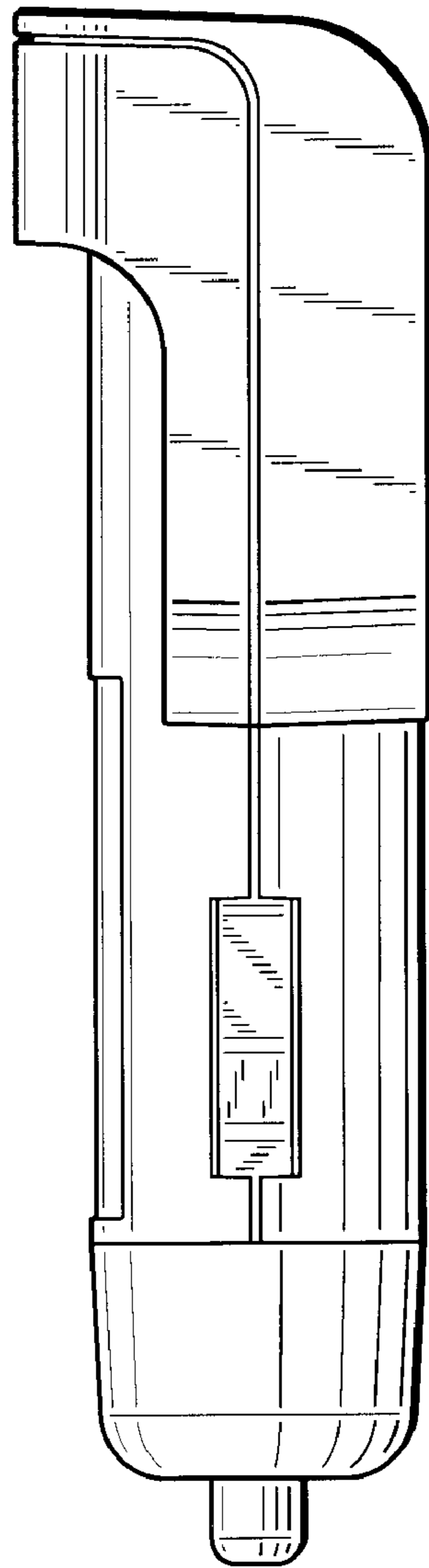


FIG. 6

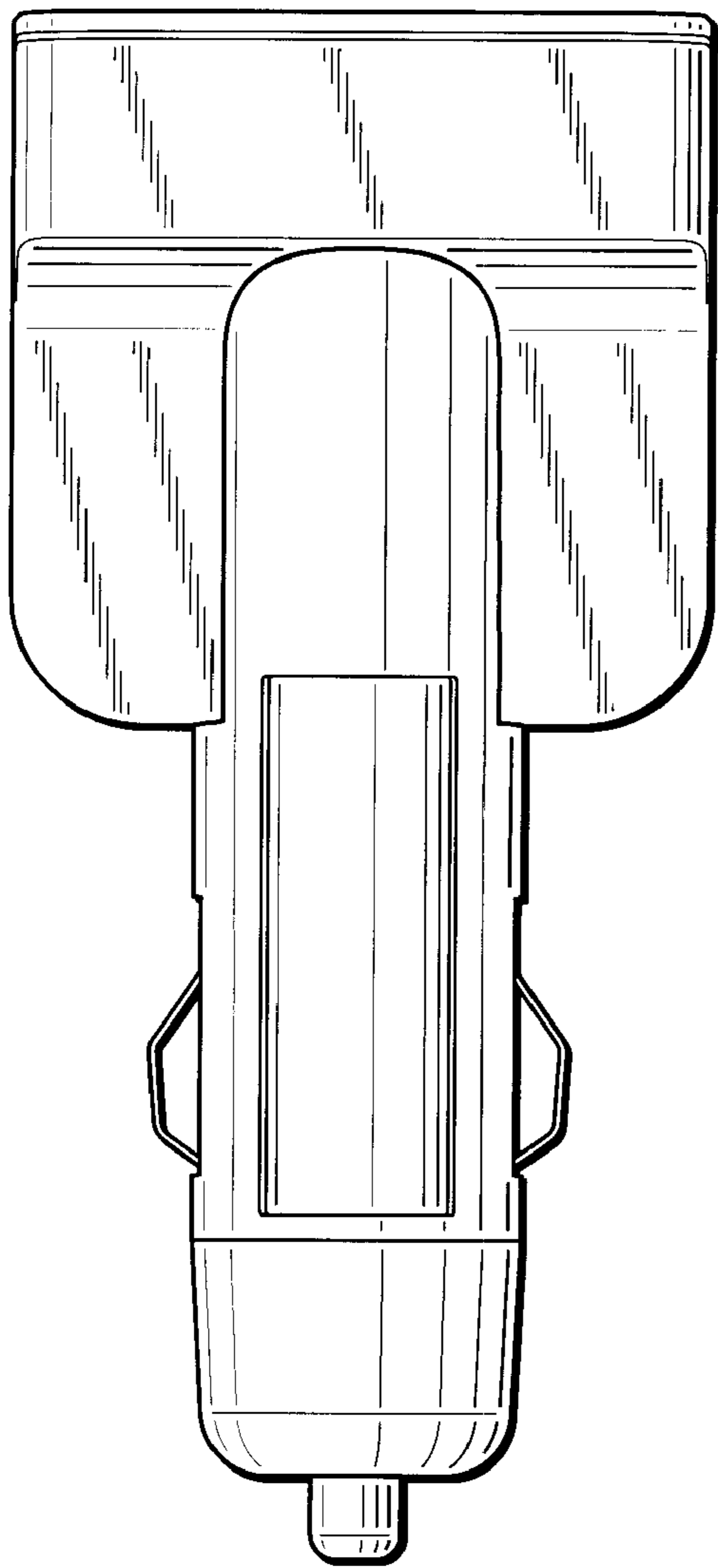


FIG._7

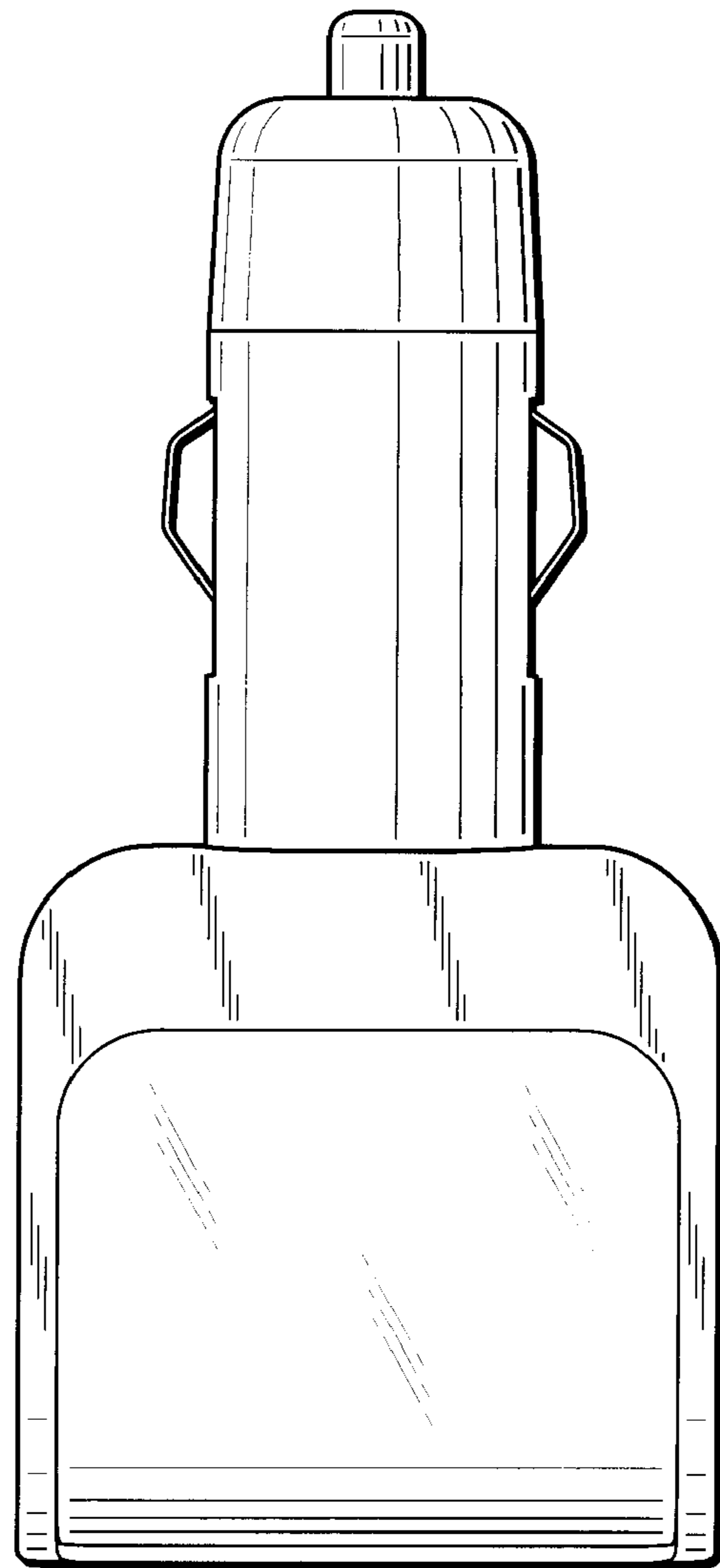


FIG._8