

US00D504405S

(12) **United States Design Patent**  
**Kawaguchi et al.**

(10) **Patent No.:** **US D504,405 S**

(45) **Date of Patent:** **\*\* Apr. 26, 2005**

(54) **SEMICONDUCTOR DEVICE**

D428,859 S \* 8/2000 Kawafuji et al. .... D13/182  
D470,463 S \* 2/2003 Iwasaki et al. .... D13/182  
D470,824 S \* 2/2003 Iwasaki et al. .... D13/182

(75) Inventors: **Atsushi Kawaguchi**, Osaka-fu (JP);  
**Takeshi Suzuki**, Osaka-fu (JP);  
**Hidefumi Saito**, Osaka-fu (JP)

\* cited by examiner

(73) Assignee: **Sanyo Electric Co., Ltd.** (JP)

*Primary Examiner*—Stella Reid  
*Assistant Examiner*—Selina Sikder

(\*\*) Term: **14 Years**

(74) *Attorney, Agent, or Firm*—Ostrolenk, Faber, Gerb &  
Soffen, LLP

(21) Appl. No.: **29/186,114**

(57) **CLAIM**

(22) Filed: **Jul. 9, 2003**

The ornamental design for semiconductor device, as shown.

(51) **LOC (7) Cl.** ..... **13-03**

**DESCRIPTION**

(52) **U.S. Cl.** ..... **D13/182**

(58) **Field of Search** ..... D13/182; 174/52.1,  
174/52.2, 52.4, 666, 669, 675, 676, 678,  
690, 692, 696, 697, 730, 787; 361/773,  
820; 438/64, 65

FIG. 1 is a top, rear, right side perspective view of a semiconductor device showing our new design;  
FIG. 2 is a top view thereof;  
FIG. 3 is a bottom view thereof;  
FIG. 4 is a one side view thereof;  
FIG. 5 is the opposite side view thereof;  
FIG. 6 is a rear view thereof; and,  
FIG. 7 is a front view thereof.

(56) **References Cited**

**U.S. PATENT DOCUMENTS**

D421,969 S \* 3/2000 Kawafuji et al. .... D13/182

**1 Claim, 3 Drawing Sheets**

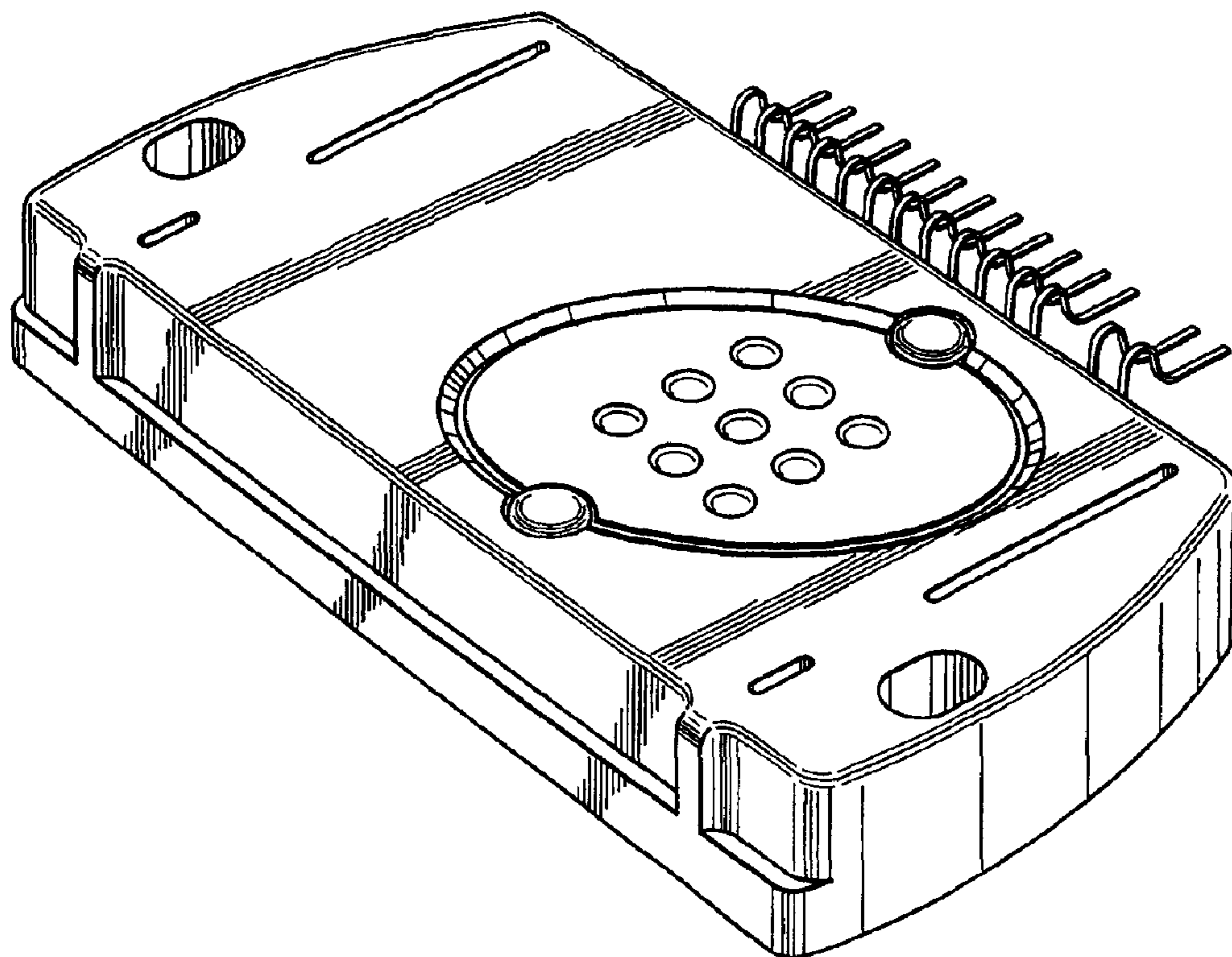


FIG. 1

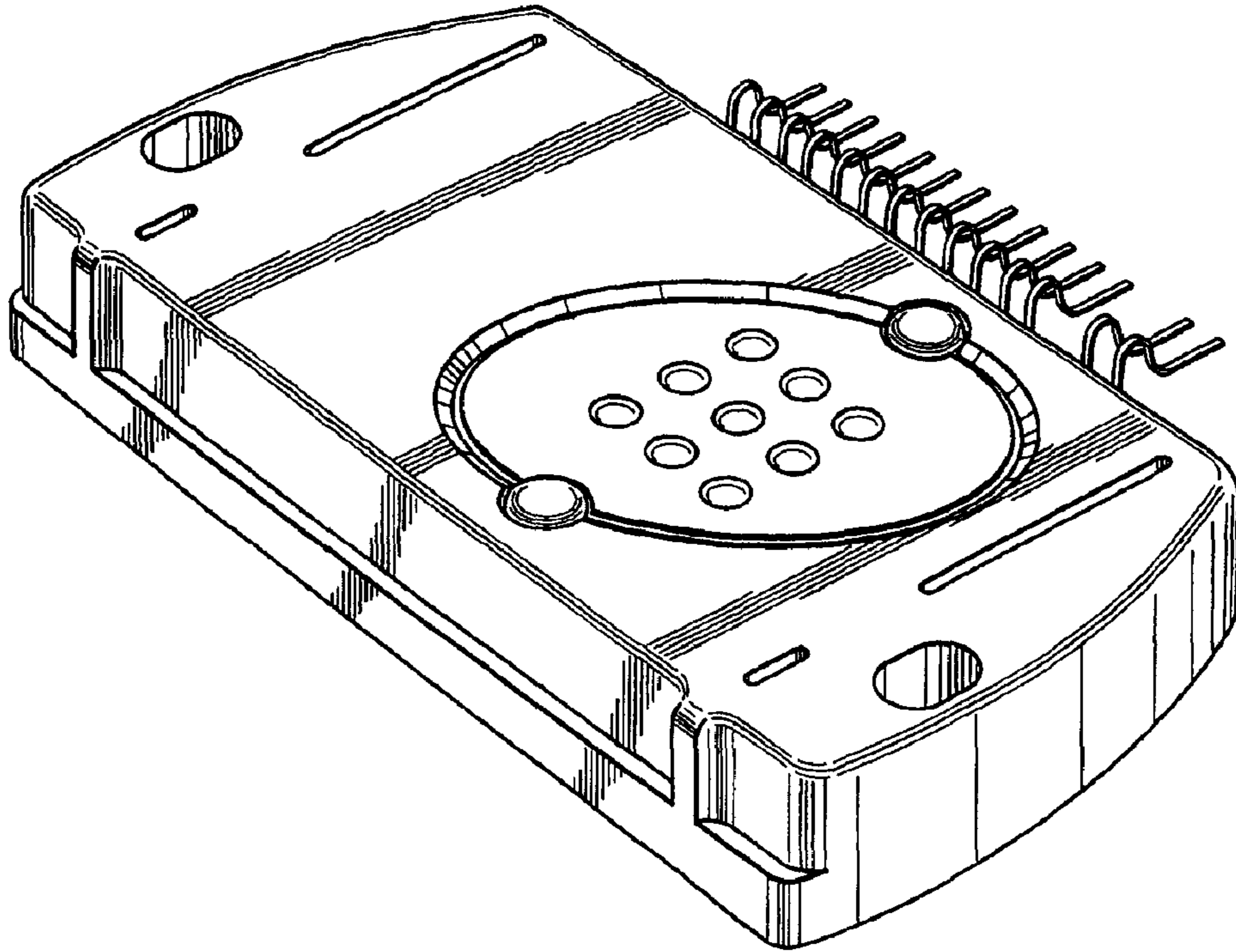


FIG. 2

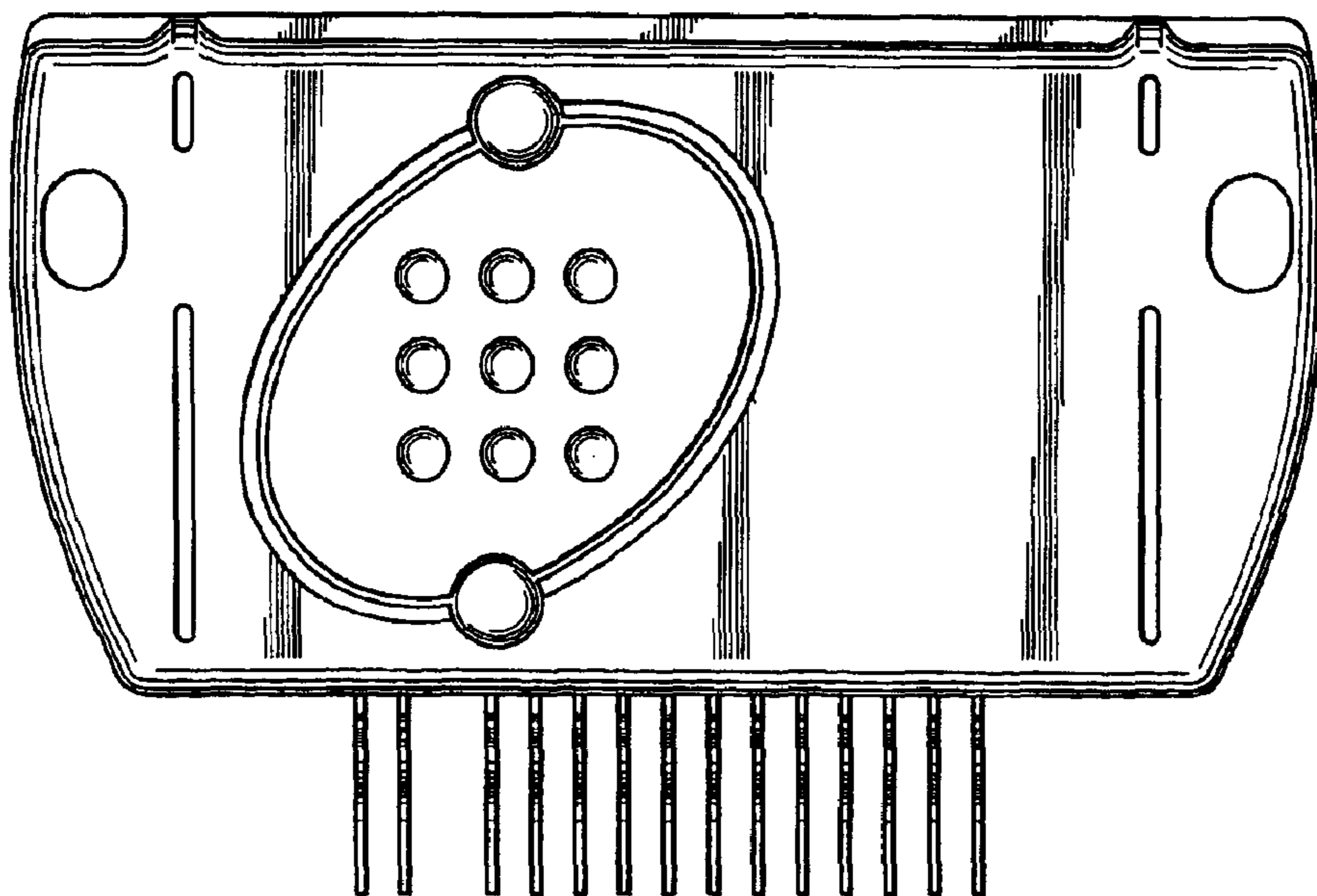


FIG. 3

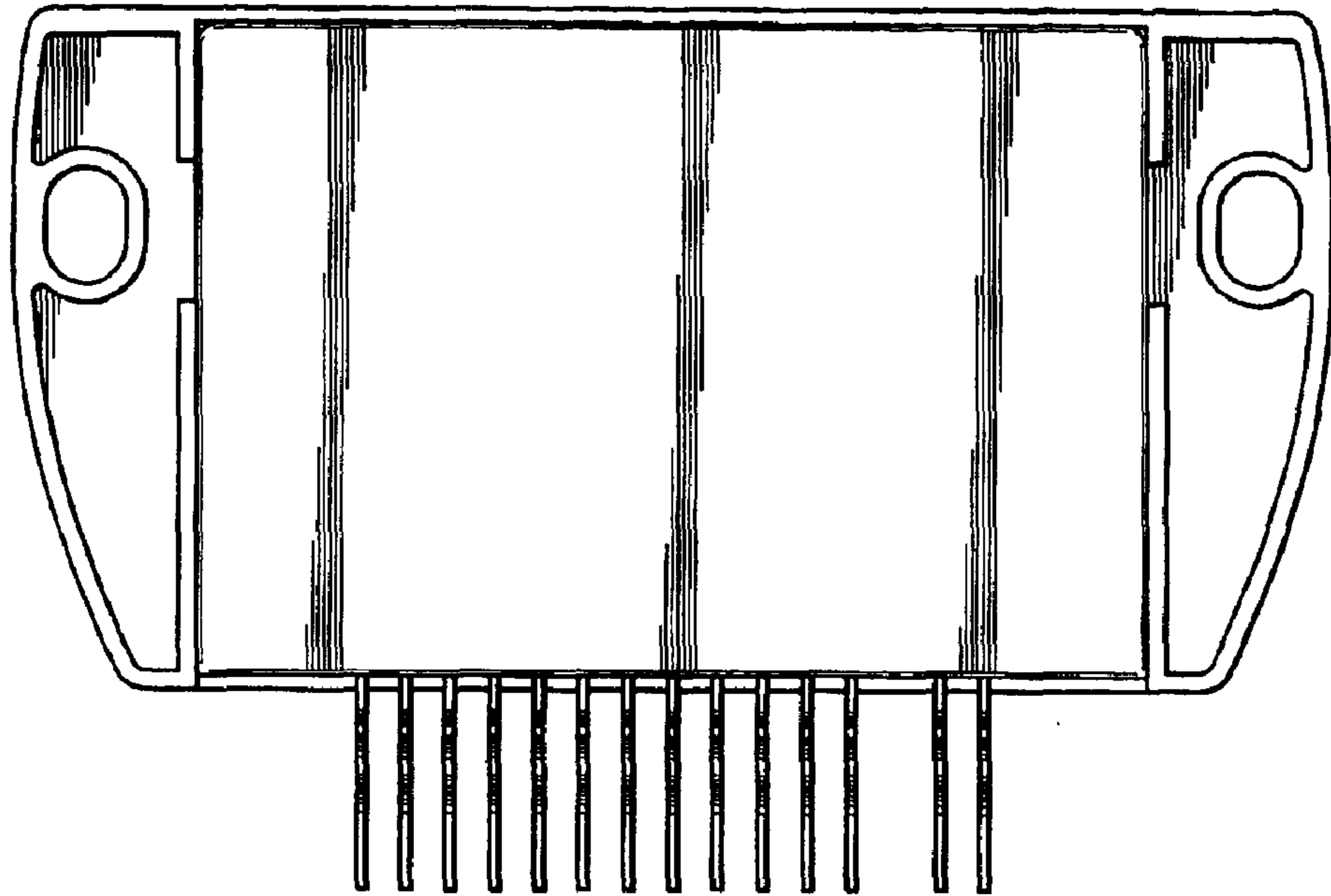


FIG. 4

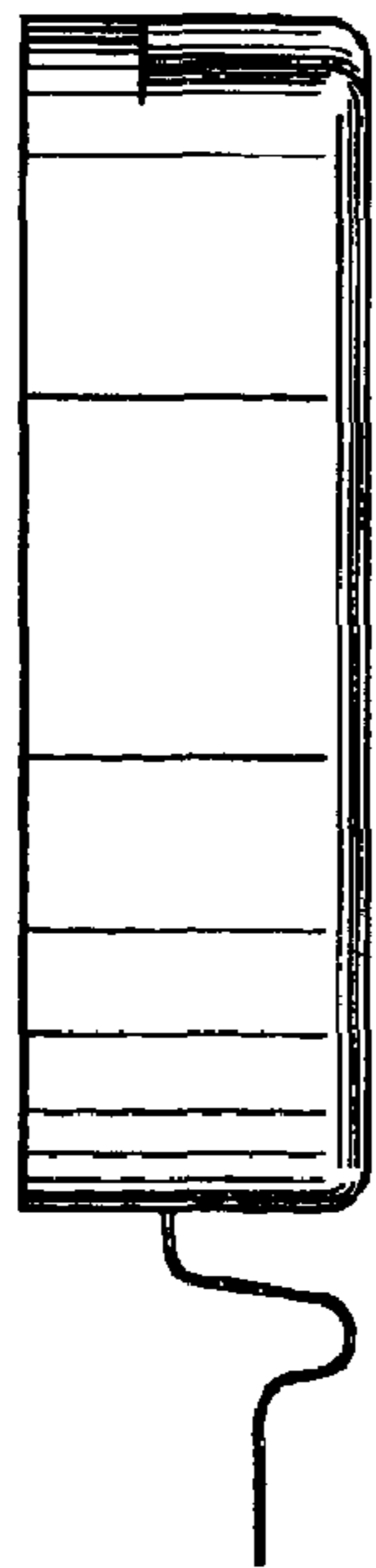


FIG. 5

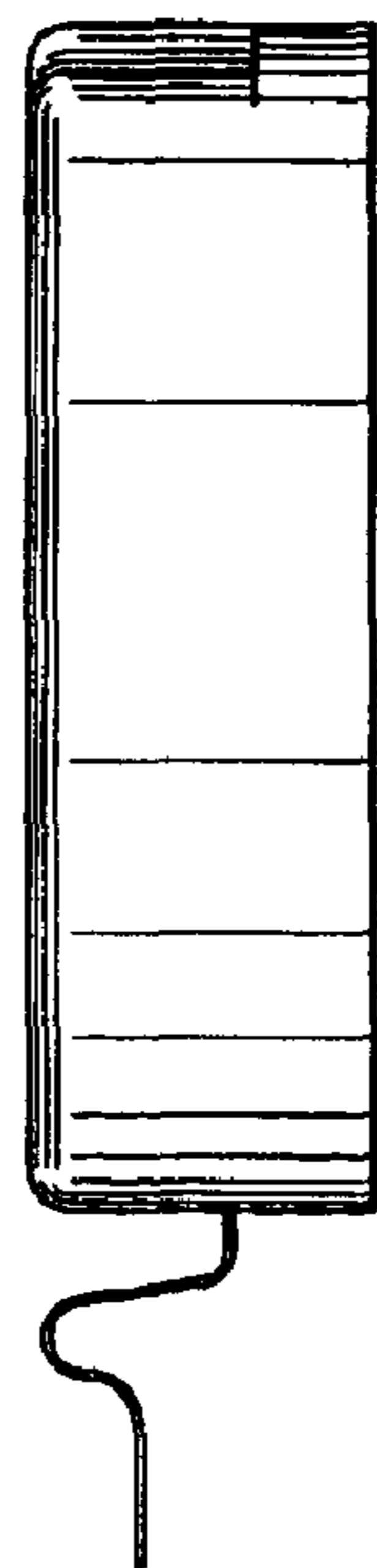


FIG. 6

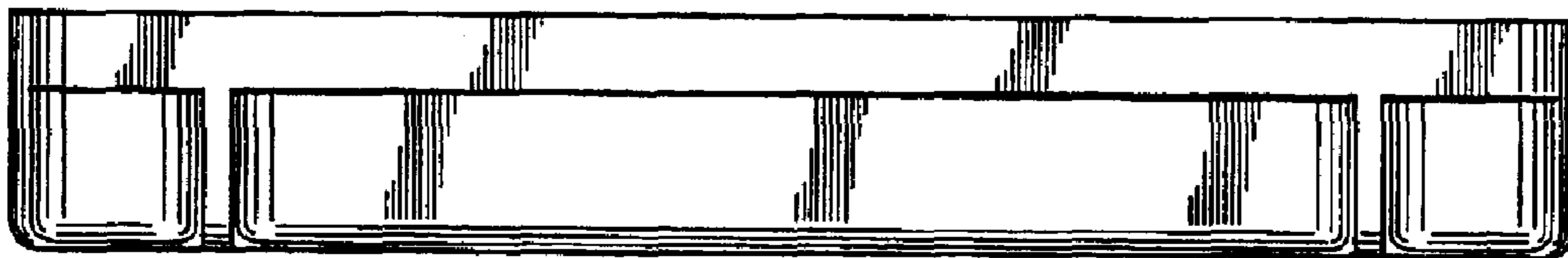


FIG. 7

